



US00D421654S

United States Patent [19]

[11] **Patent Number: Des. 421,654**

Michael et al.

[45] **Date of Patent: ** Mar. 14, 2000**

[54] **TOP OR BOTTOM RAIL FOR OUTDOOR RAILING SYSTEMS**

[75] Inventors: **Stephen W. Michael; John M. Pastore**, both of Greer; **James R. Hall, Jr.**, Lyman, all of S.C.

[73] Assignee: **Spartanburg Forest Products, Inc.**, Spartanburg, S.C.

[**] Term: **14 Years**

[21] Appl. No.: **29/100,833**

[22] Filed: **Feb. 12, 1999**

[51] **LOC (6) Cl.** **25-02**

[52] **U.S. Cl.** **D25/38**

[58] **Field of Search** D25/38, 42, 43, D25/126; 256/59, 65

[56] **References Cited**

U.S. PATENT DOCUMENTS

D. 305,799	1/1990	Manzo	D25/38
3,596,880	8/1971	Greenberg	256/59
4,383,676	5/1983	Souza, Jr.	256/59

Primary Examiner—Doris Clark
Attorney, Agent, or Firm—Dority & Manning

[57] **CLAIM**

The ornamental design of a top or bottom rail for outdoor railing systems, as shown and described.

DESCRIPTION

FIG. 1 is a top view of a top or bottom rail for outdoor railing systems in accordance with the invention.

FIG. 2 is a side view of the top or bottom rail for outdoor railing systems illustrated in FIG. 1.

FIG. 3 is a view of the inwardly disposed face of the top or bottom rail for outdoor railing systems illustrated in FIG. 1 illustrating spindle recess configurations in dashed lines for illustrative purposes only and form no part of the claimed design.

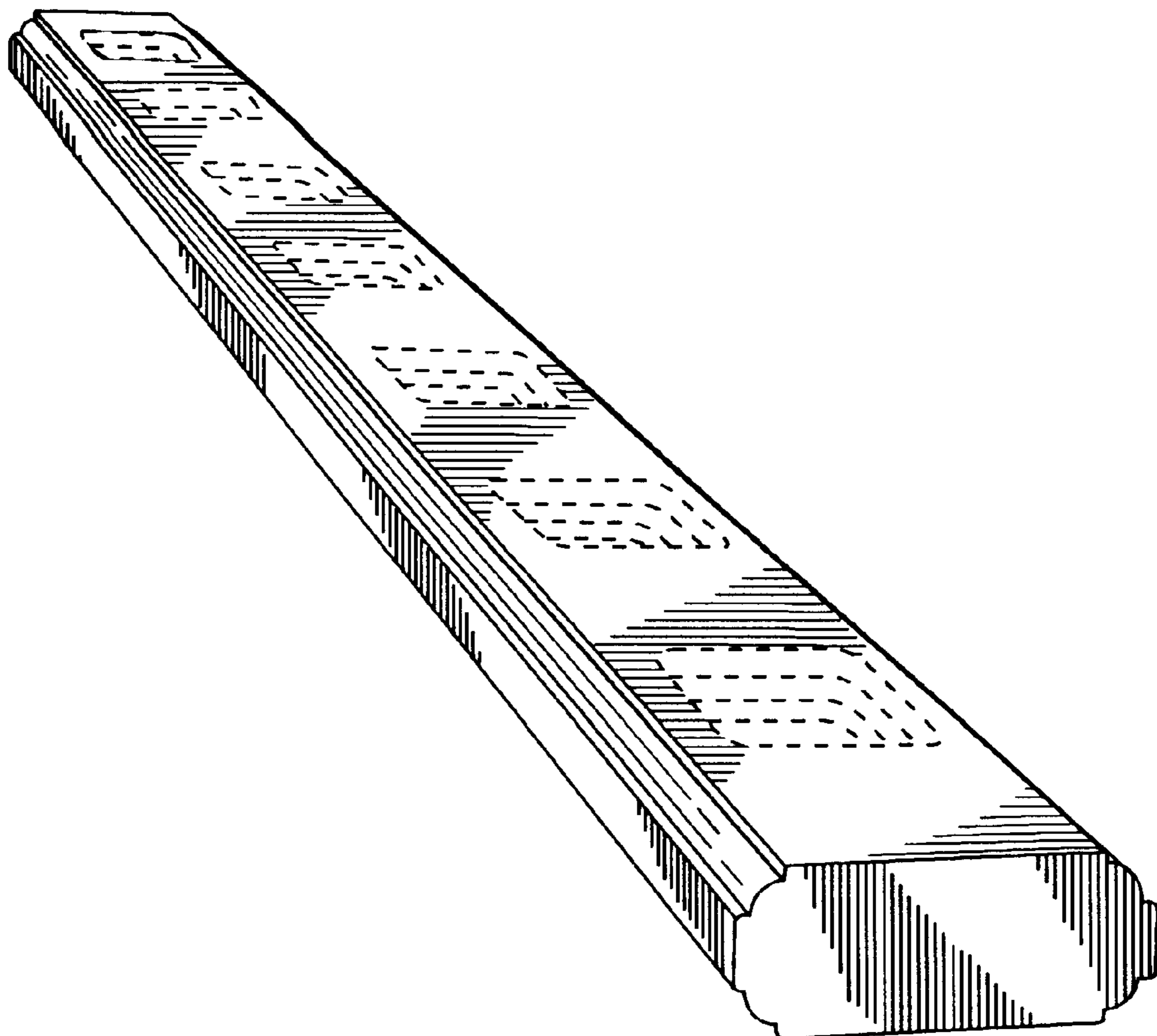
FIG. 4 is an end view of the top or bottom rail for outdoor railing systems illustrated in FIG. 1.

FIG. 5 is an enlarged end view of the top or bottom rail for outdoor railing systems illustrated in FIG. 1.

FIG. 6 is a perspective view of the top or bottom rail for outdoor railing systems illustrated in FIG. 1 particularly illustrating the profile and inwardly disposed face thereof; and,

FIG. 7 is a perspective view of the top or bottom rail for outdoor railing systems illustrated in FIG. 1 particularly illustrating the profile and upper surface thereof.

1 Claim, 3 Drawing Sheets



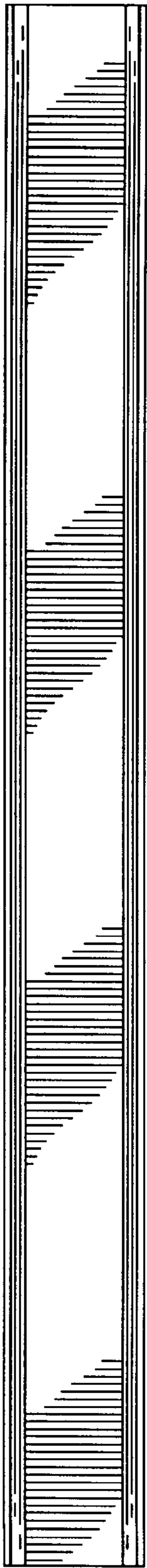


FIG. 1

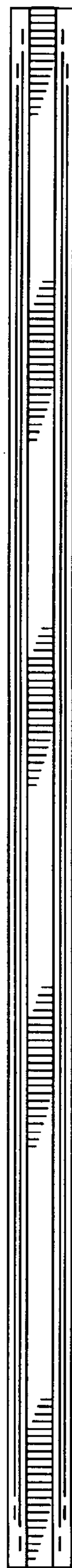


FIG. 2

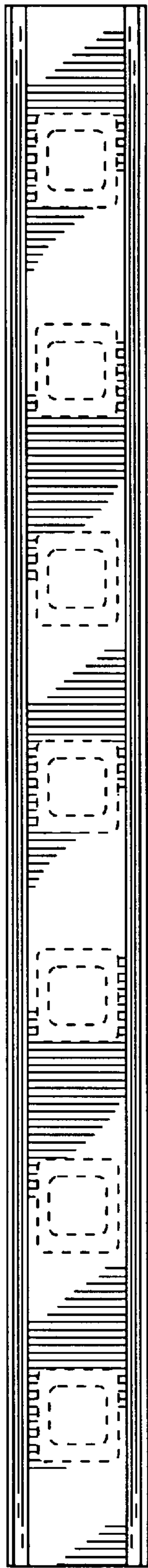


FIG. 3

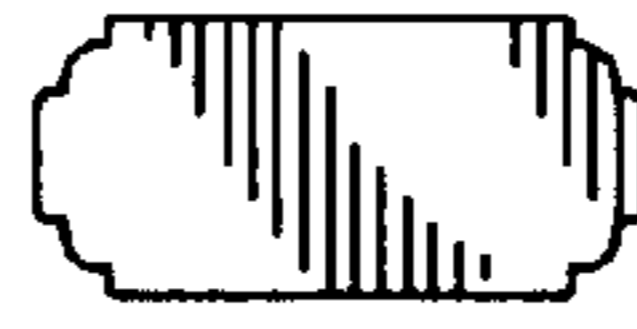


FIG. 4

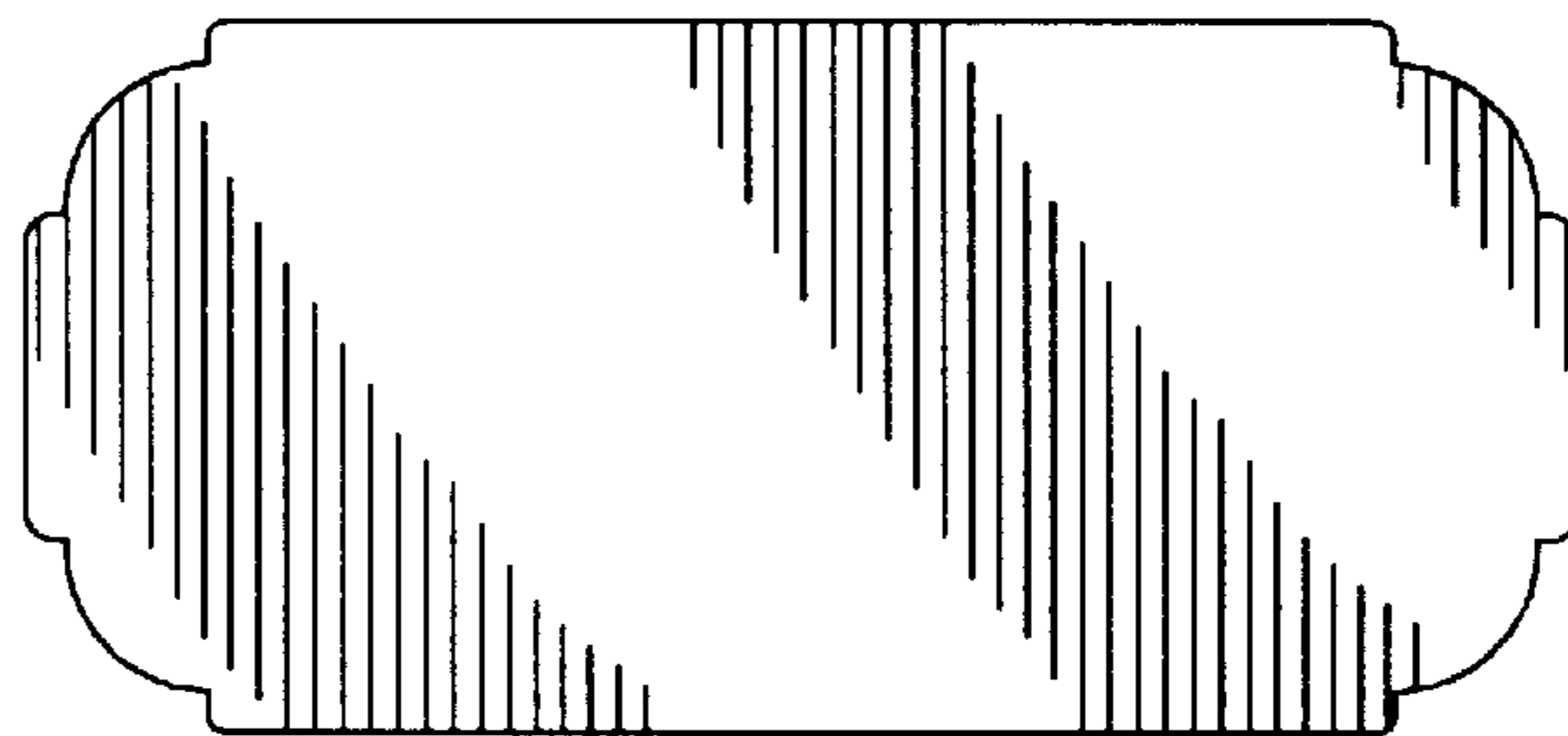


FIG. 5

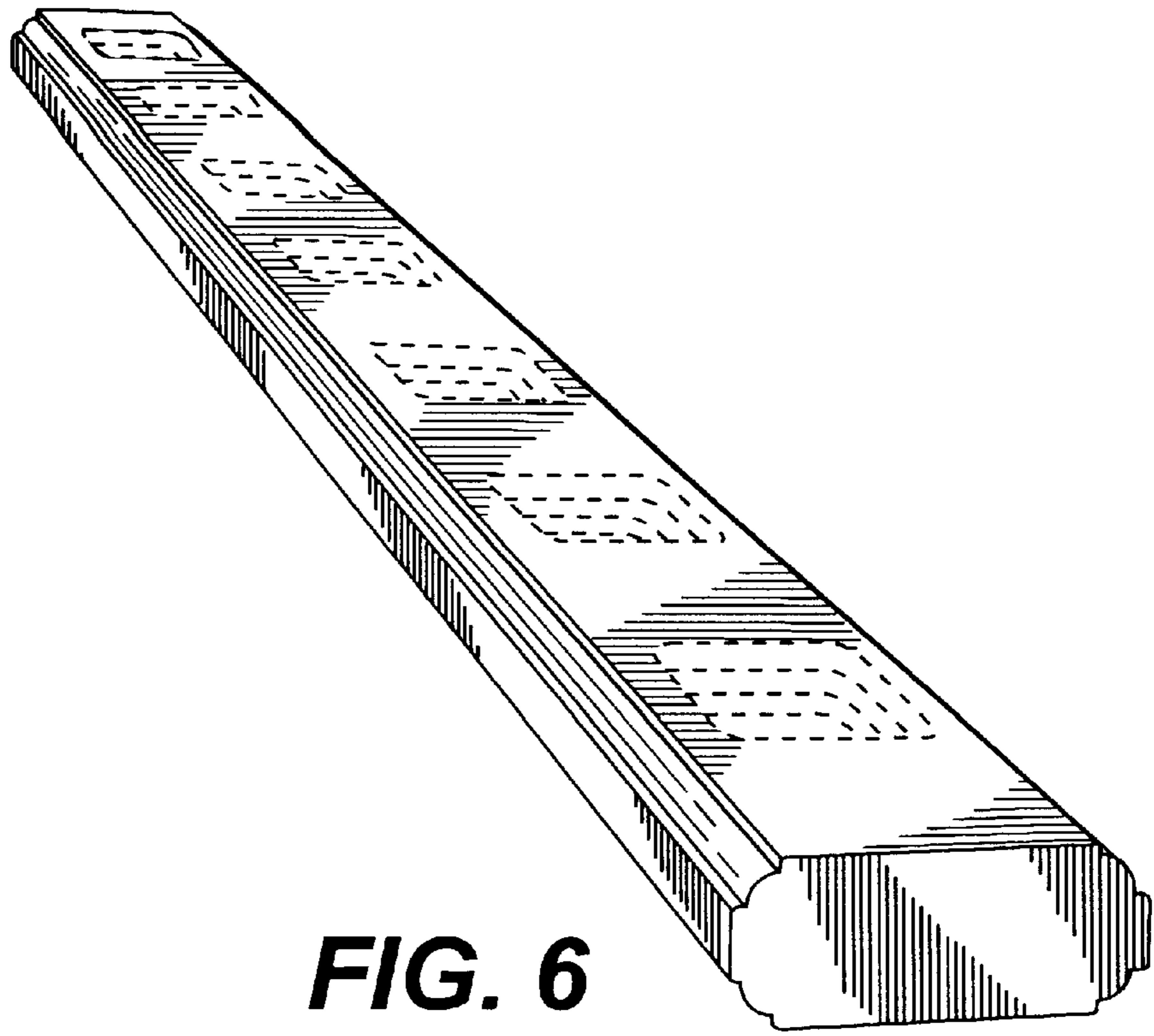


FIG. 6

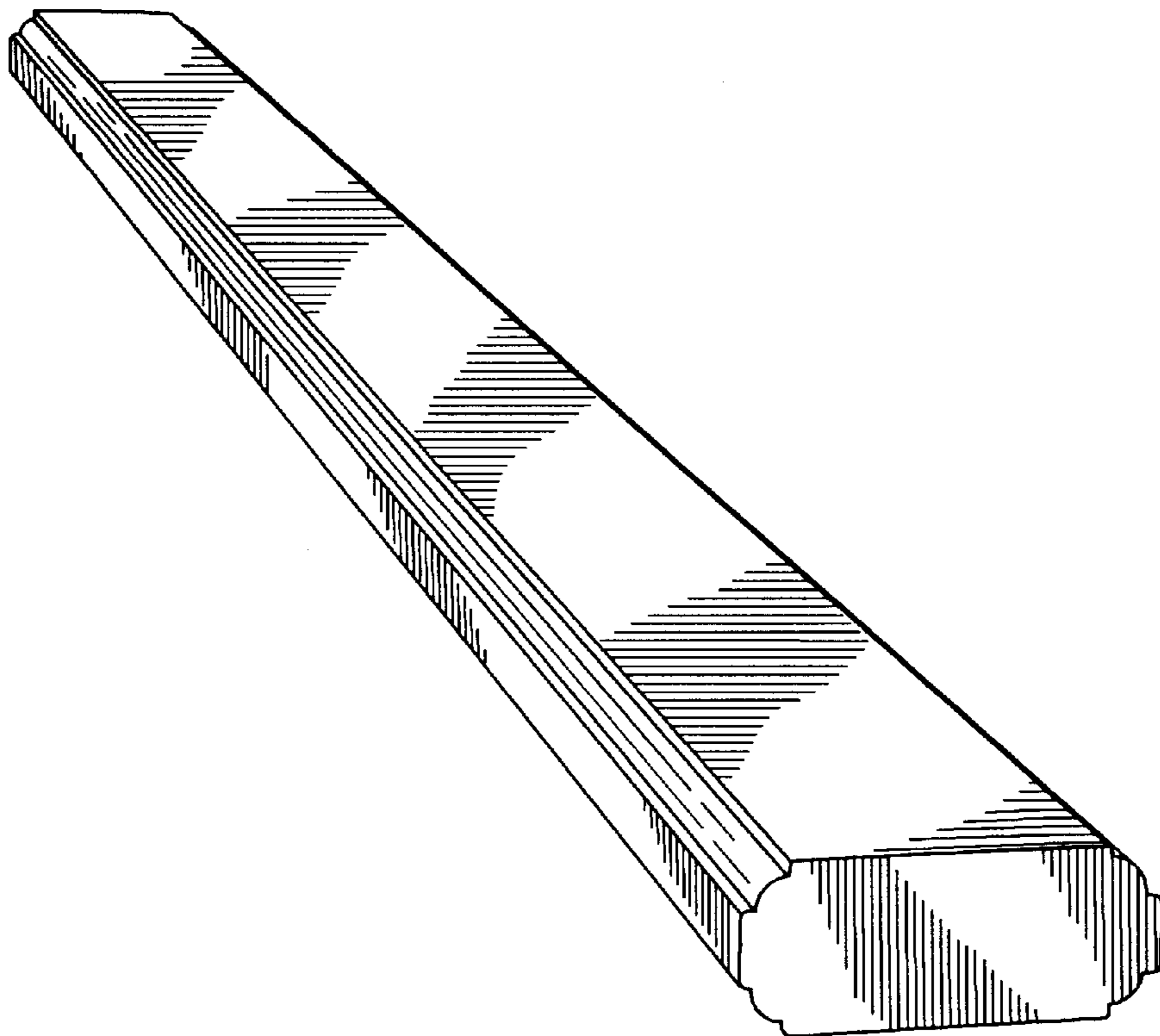


FIG. 7