



US00D421650S

United States Patent [19] Liao

[11] **Patent Number: Des. 421,650**

[45] **Date of Patent: ** Mar. 14, 2000**

[54] **ELECTRICAL FAN**

D. 354,127 1/1995 Cunning D23/382

[76] Inventor: **Chin-I Liao**, 1st Fl., No. 10, Te-Feng St., Chung-Ho Li, Hsin-Chuang City, Taipei Hsien, Taiwan

Primary Examiner—Lisa Lichtenstein
Attorney, Agent, or Firm—Abelman, Frayne & Schwab

[**] Term: **14 Years**

[57] **CLAIM**

The ornamental design for an electrical fan, as shown.

[21] Appl. No.: **29/101,233**

DESCRIPTION

[22] Filed: **Mar. 1, 1999**

[51] **LOC (6) Cl.** **23-04**

[52] **U.S. Cl.** **D23/382; D23/370; D23/381**

[58] **Field of Search** D23/382, 381, D23/370, 335-336, 411; D6/489, 455, 499; D12/325; 248/676; 416/244 R, 246, 247 R; D21/447, 451

FIG. 1 is a front, right, top perspective view of an electrical fan, showing any new design;

FIG. 2 is a front elevational view thereof;

FIG. 3 is a rear elevational view thereof;

FIG. 4 is a left side elevational view thereof;

FIG. 5 is a right side elevational view thereof;

FIG. 6 is top plan view thereof;

FIG. 7 is a bottom plan view thereof; and,

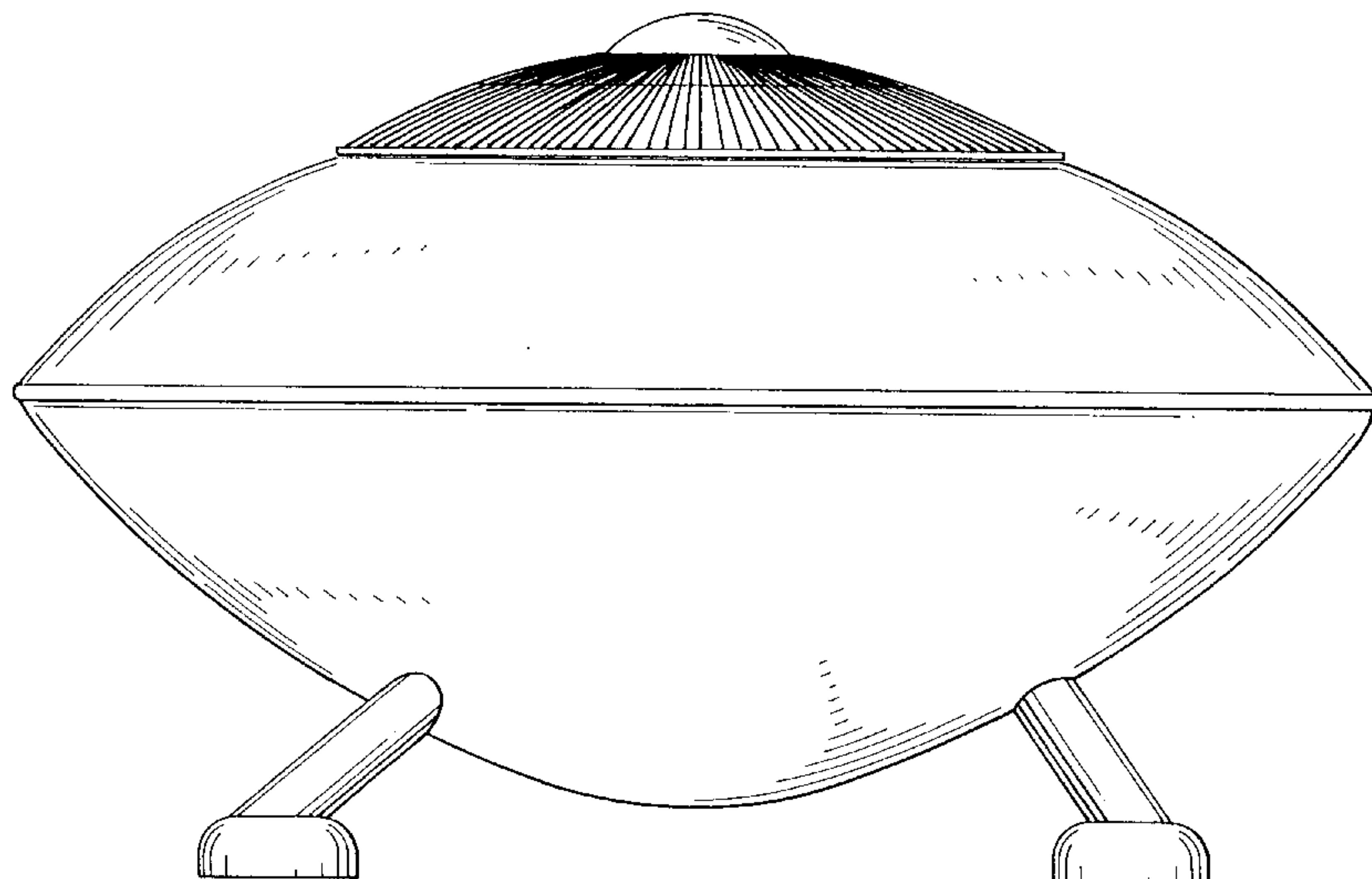
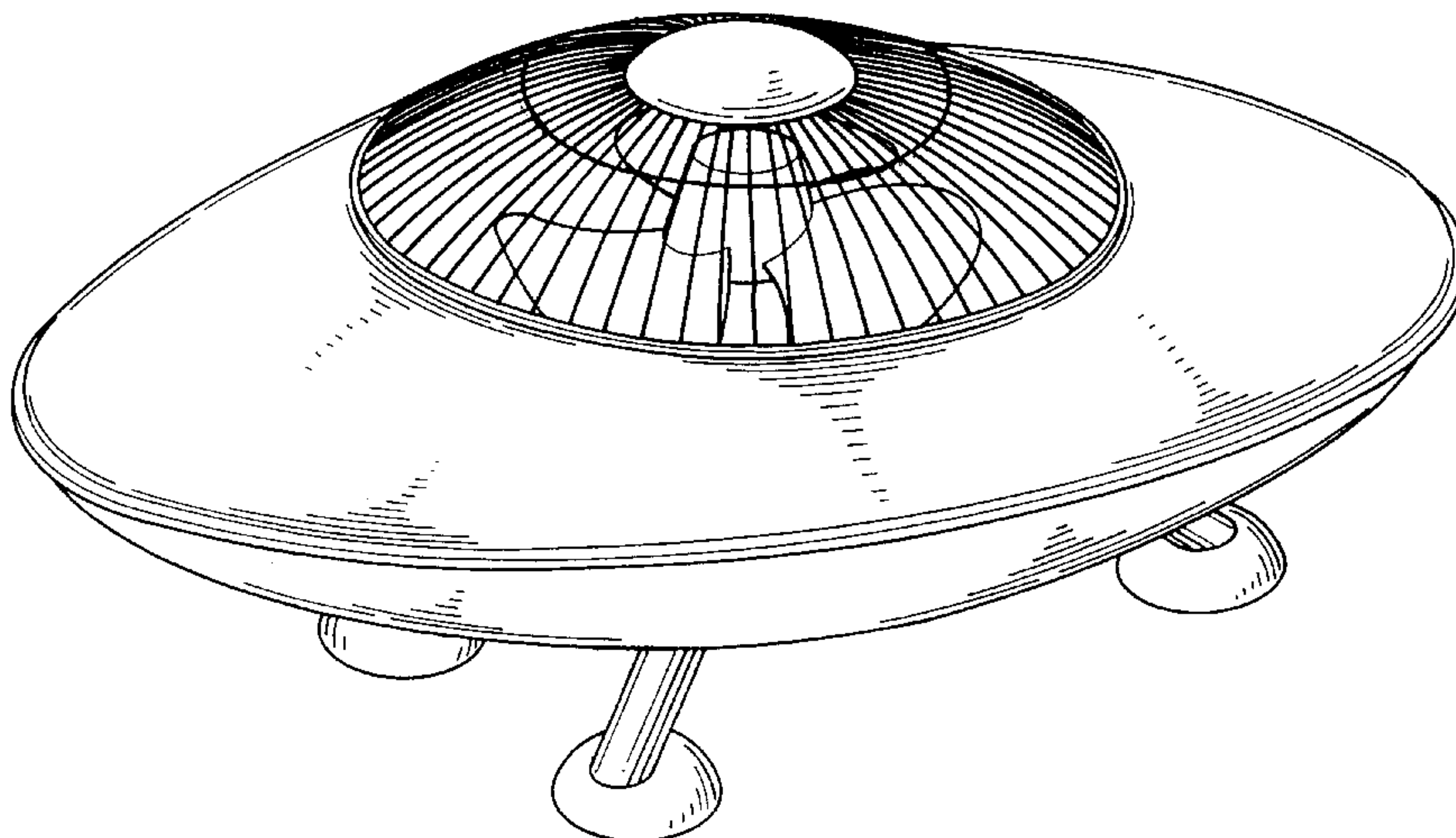
FIG. 8 is a perspective view thereof, shown in use.

[56] **References Cited**

U.S. PATENT DOCUMENTS

D. 340,516 10/1993 Too D23/411

1 Claim, 8 Drawing Sheets



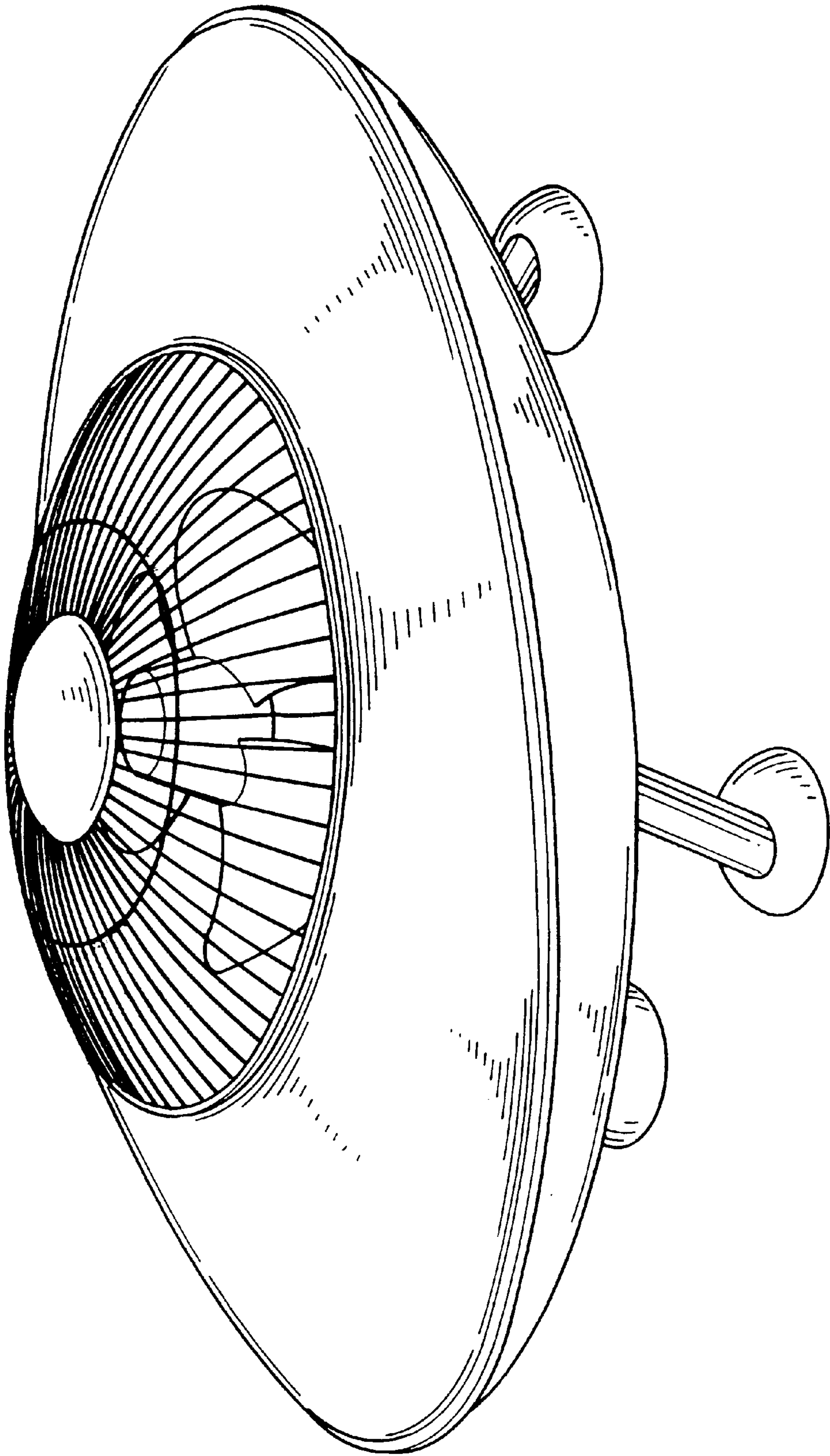


FIG. 1

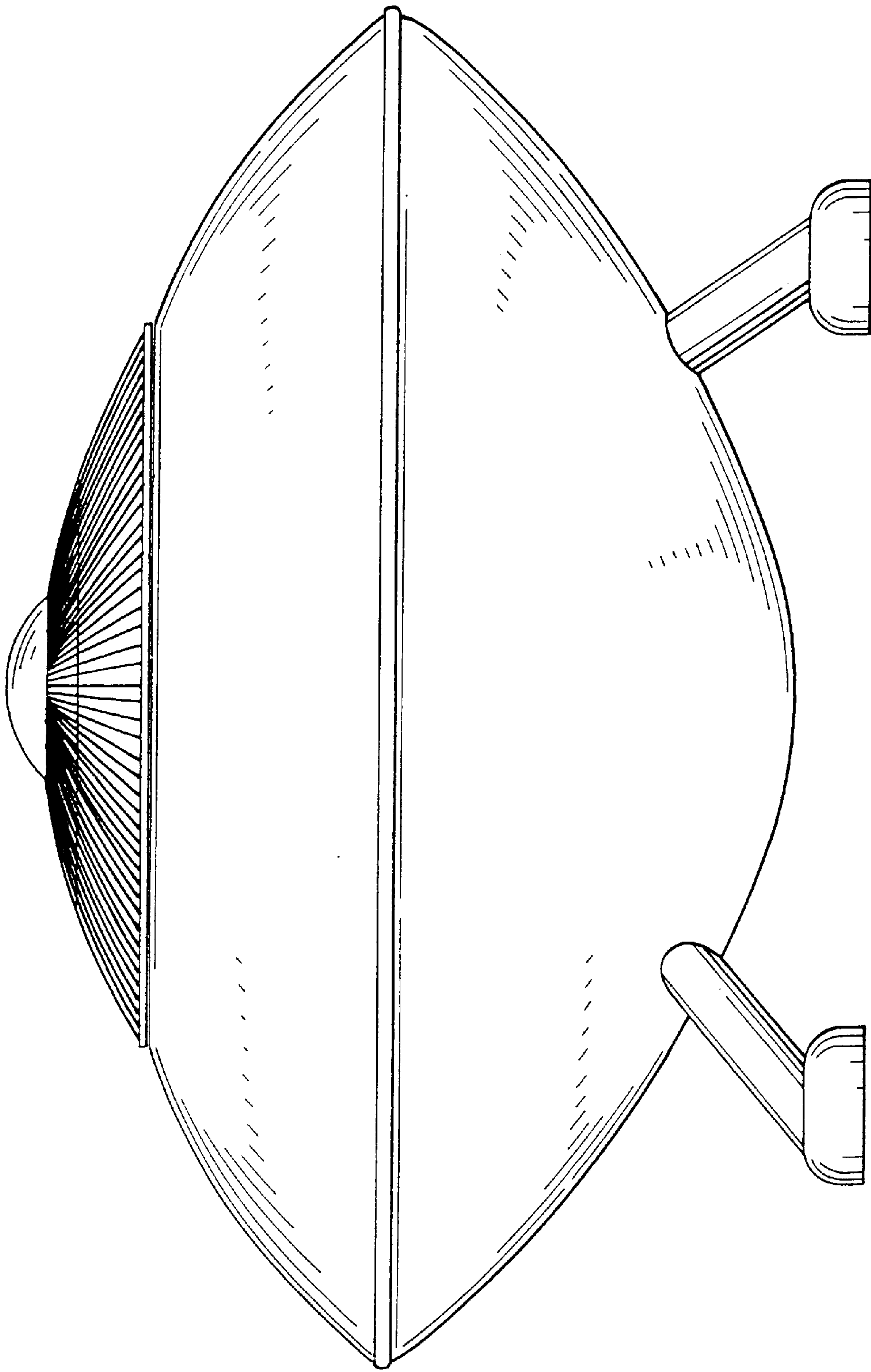


FIG. 2

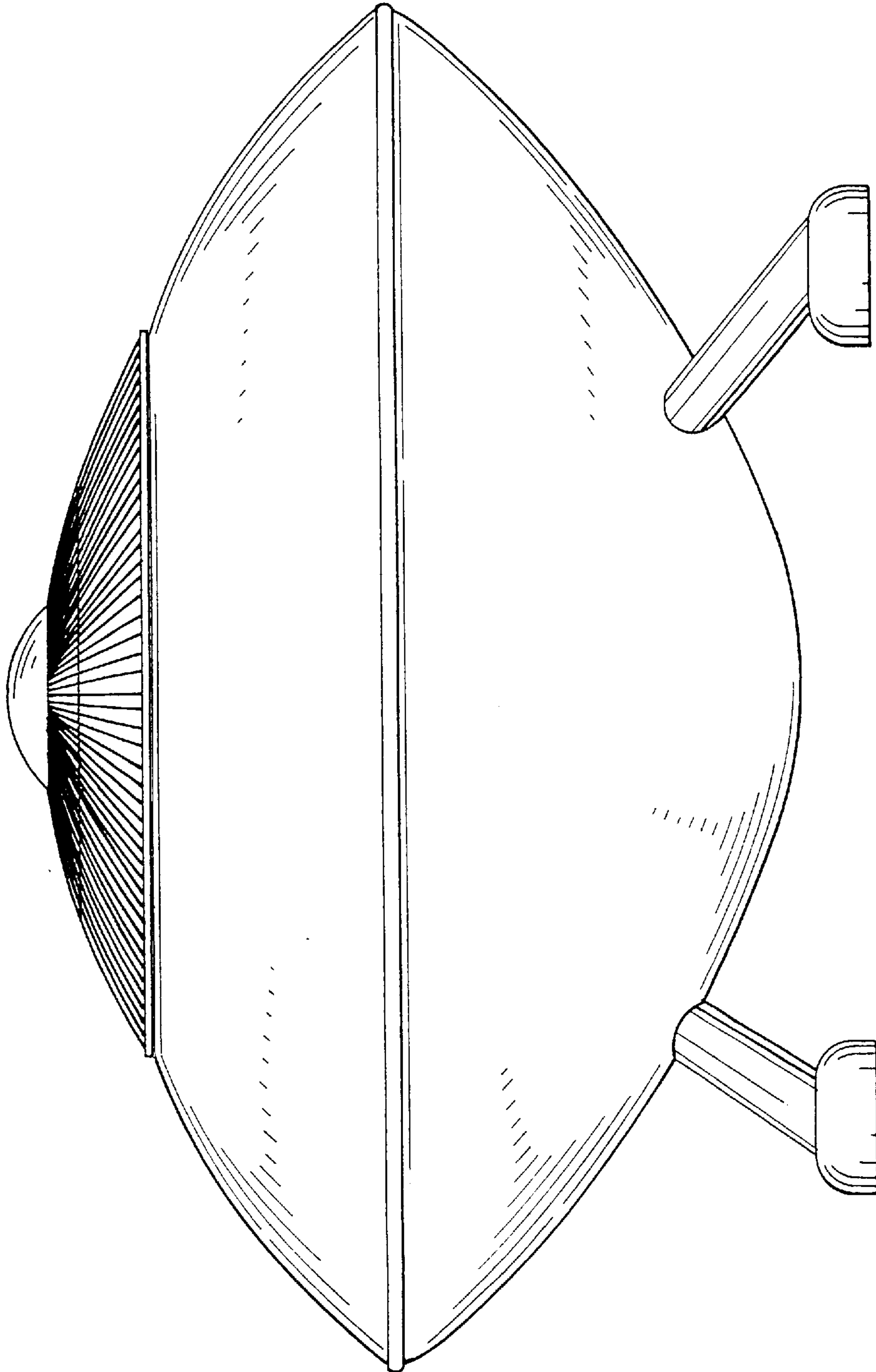


FIG. 3

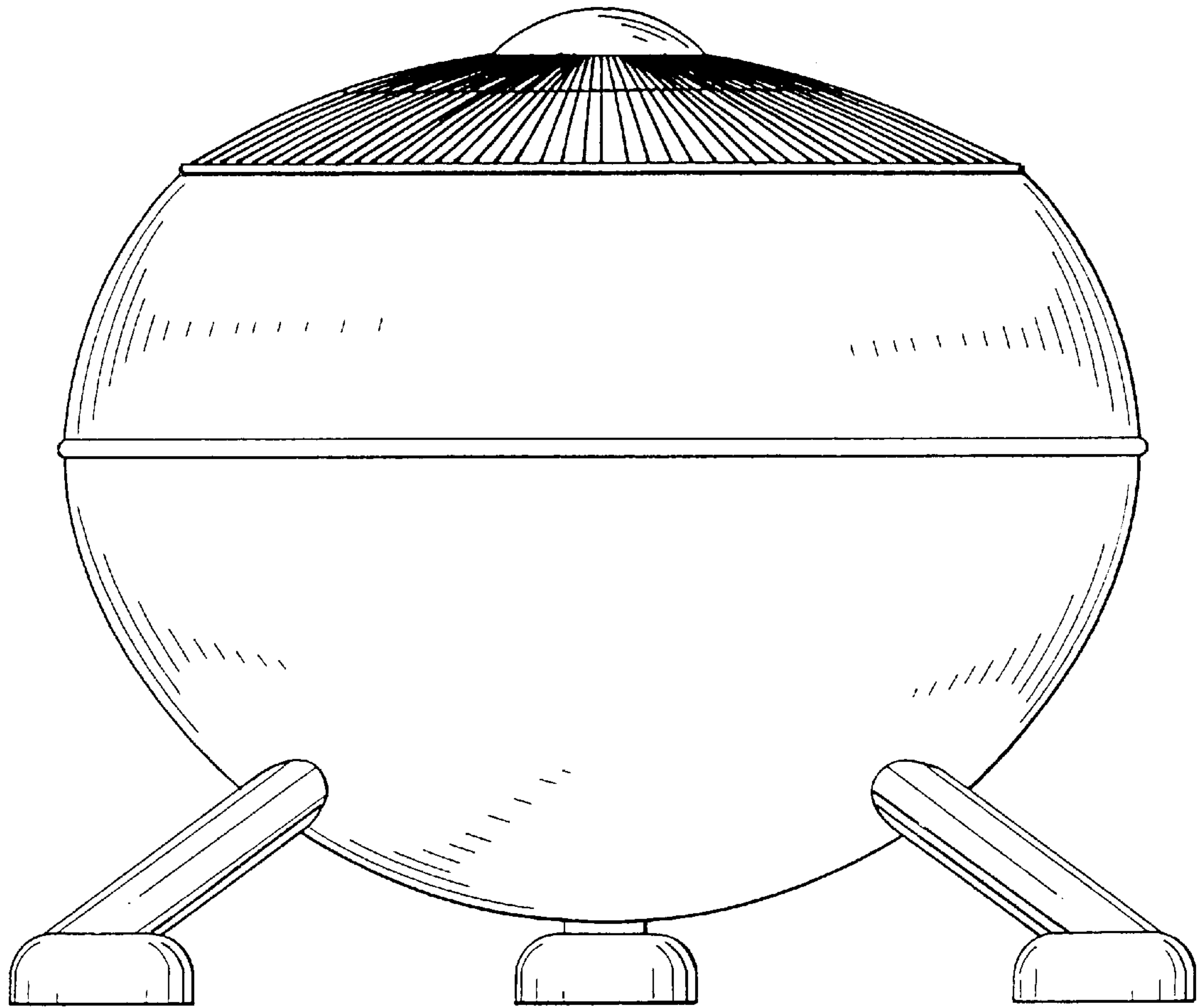


FIG. 4

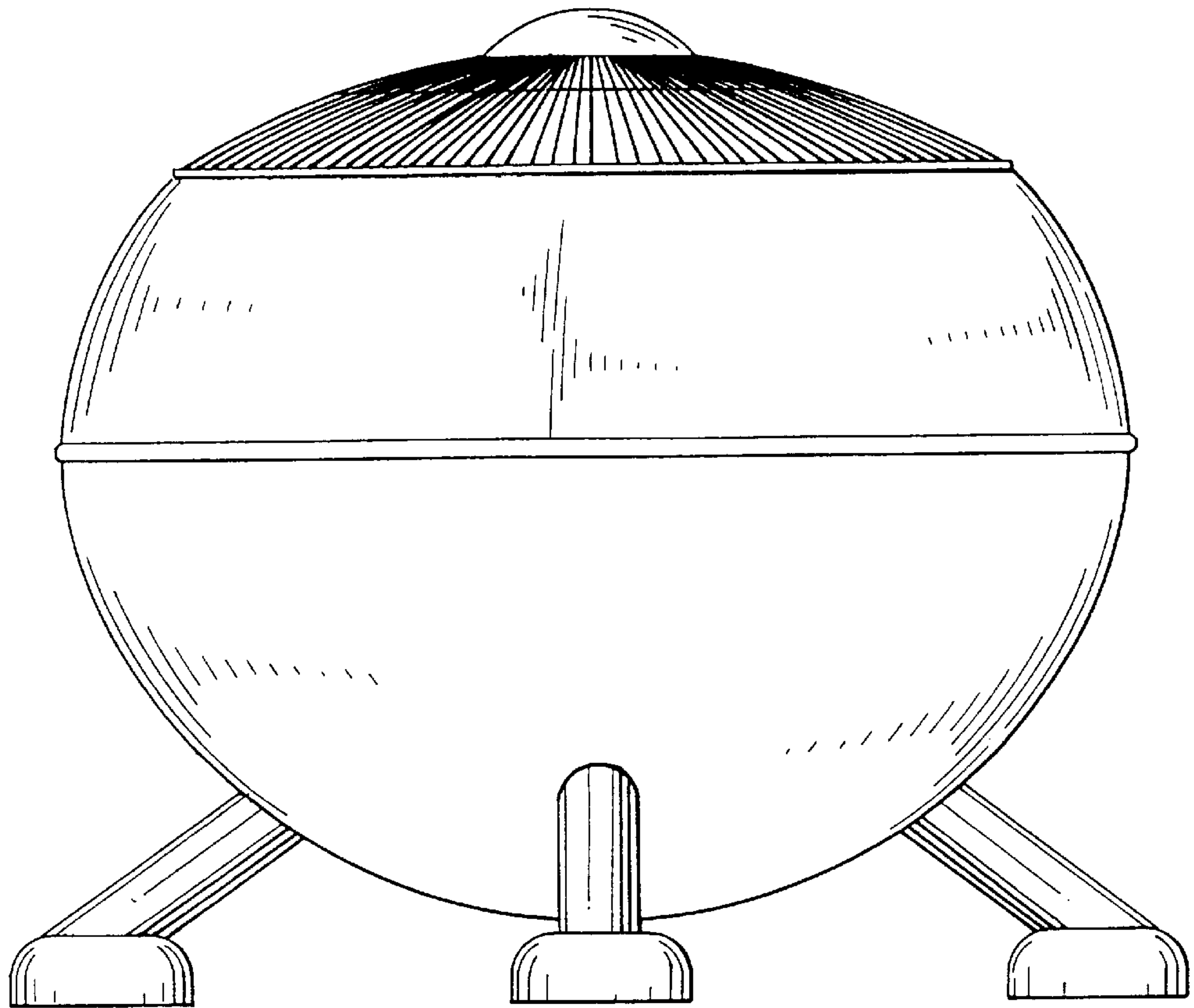


FIG. 5

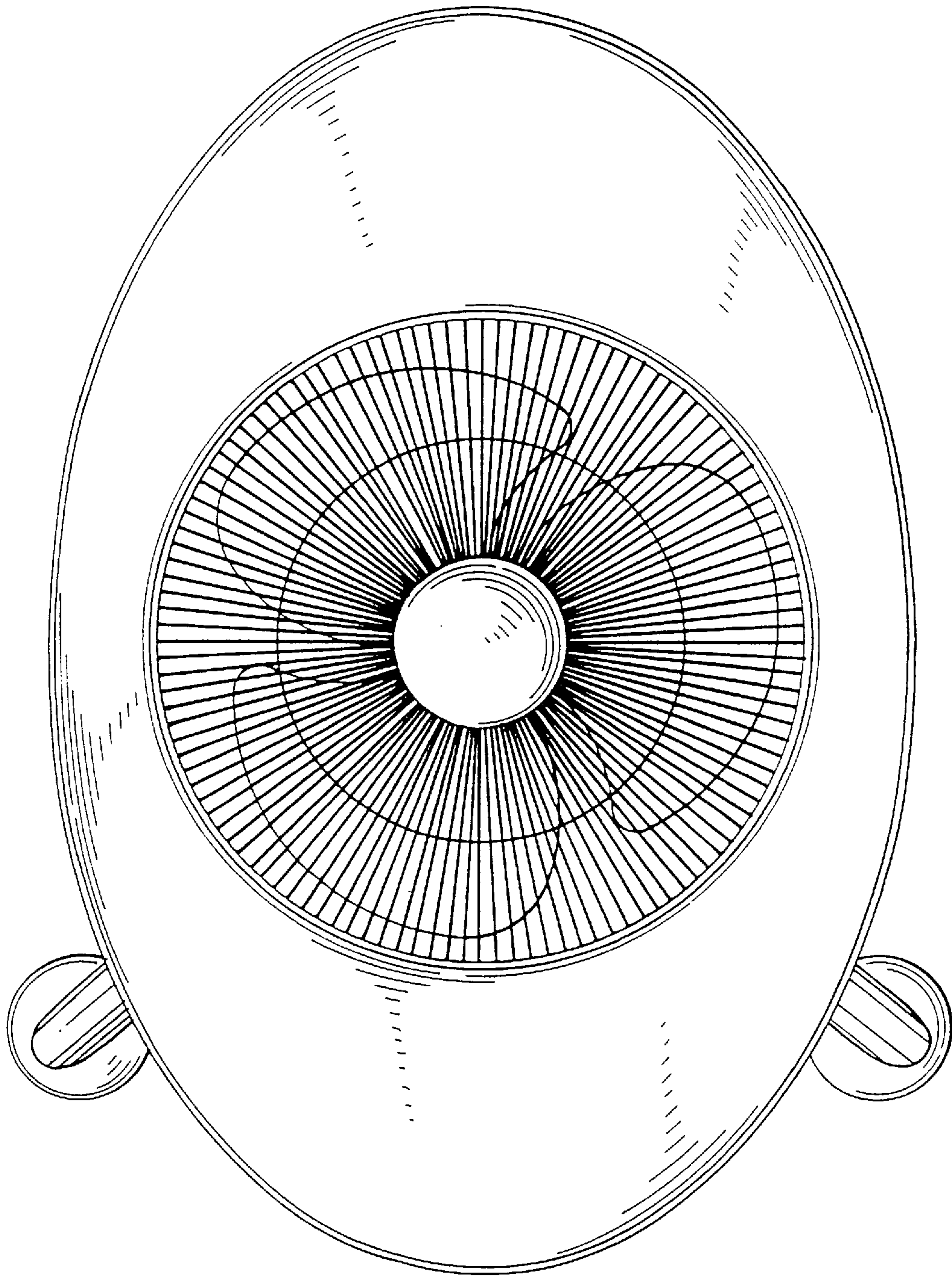


FIG. 6

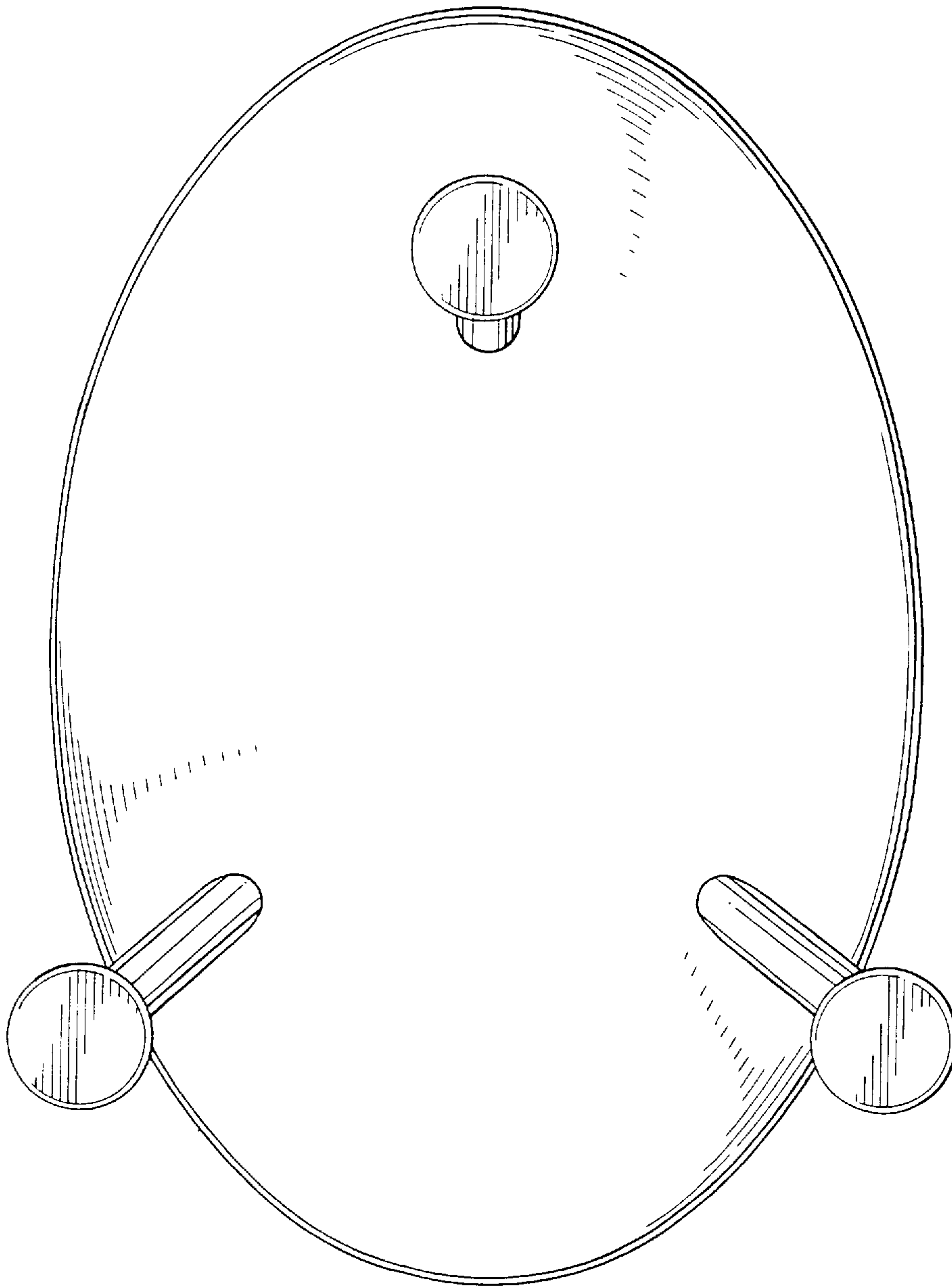


FIG. 7

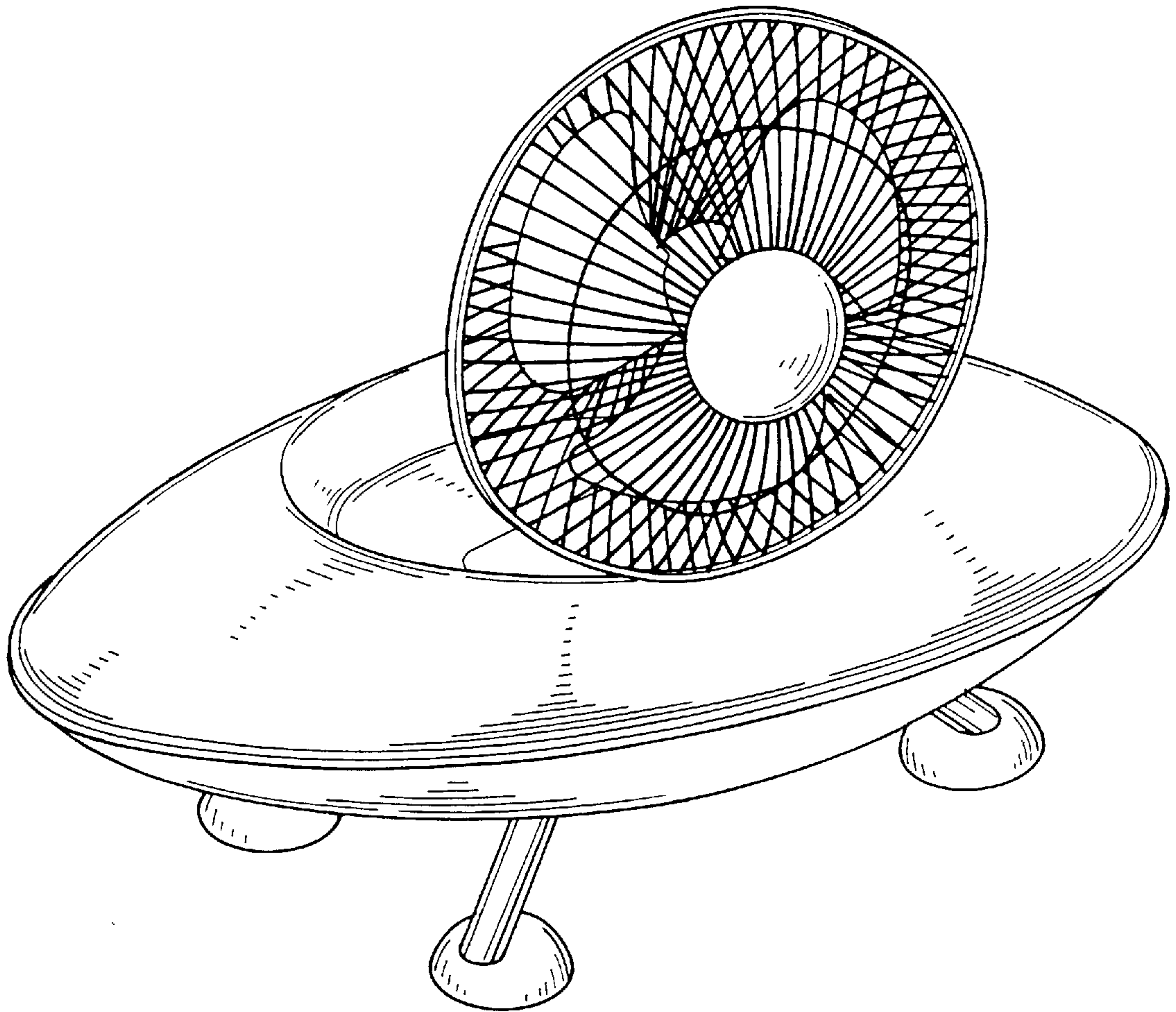


FIG. 8