



US00D421645S

United States Patent [19] Karnoski

[11] **Patent Number: Des. 421,645**

[45] **Date of Patent: ** Mar. 14, 2000**

[54] **TOILET MOUNTING PLATE**

4,794,653 1/1989 Stasser 4/252.1
4,940,113 7/1990 L'Heureux 4/252.1

[76] Inventor: **Wayne Karnoski**, 724 Via Los Santos,
San Dimas, Calif. 91773

Primary Examiner—Eric Watterson
Attorney, Agent, or Firm—Roy A. Ekstrand

[**] Term: **14 Years**

[57] **CLAIM**

[21] Appl. No.: **29/098,928**

The ornamental design for a toilet mounting plate, as shown and described.

[22] Filed: **Jan. 8, 1999**

[51] **LOC (6) Cl.** **23-02**

[52] **U.S. Cl.** **D23/309**

[58] **Field of Search** D23/303, 309,
D23/295-301; 4/252.1, 252.4, 420, DIG. 9;
52/220.8, 232; 285/56

DESCRIPTION

FIG. 1 is a top perspective view of a toilet mounting plate, showing my new design;
FIG. 2 is a front view thereof;
FIG. 3 is a rear view thereof;
FIG. 4 is a top plan view thereof;
FIG. 5 is a right side view thereof;
FIG. 6 is a left side view thereof; and,
FIG. 7 is a bottom view thereof.

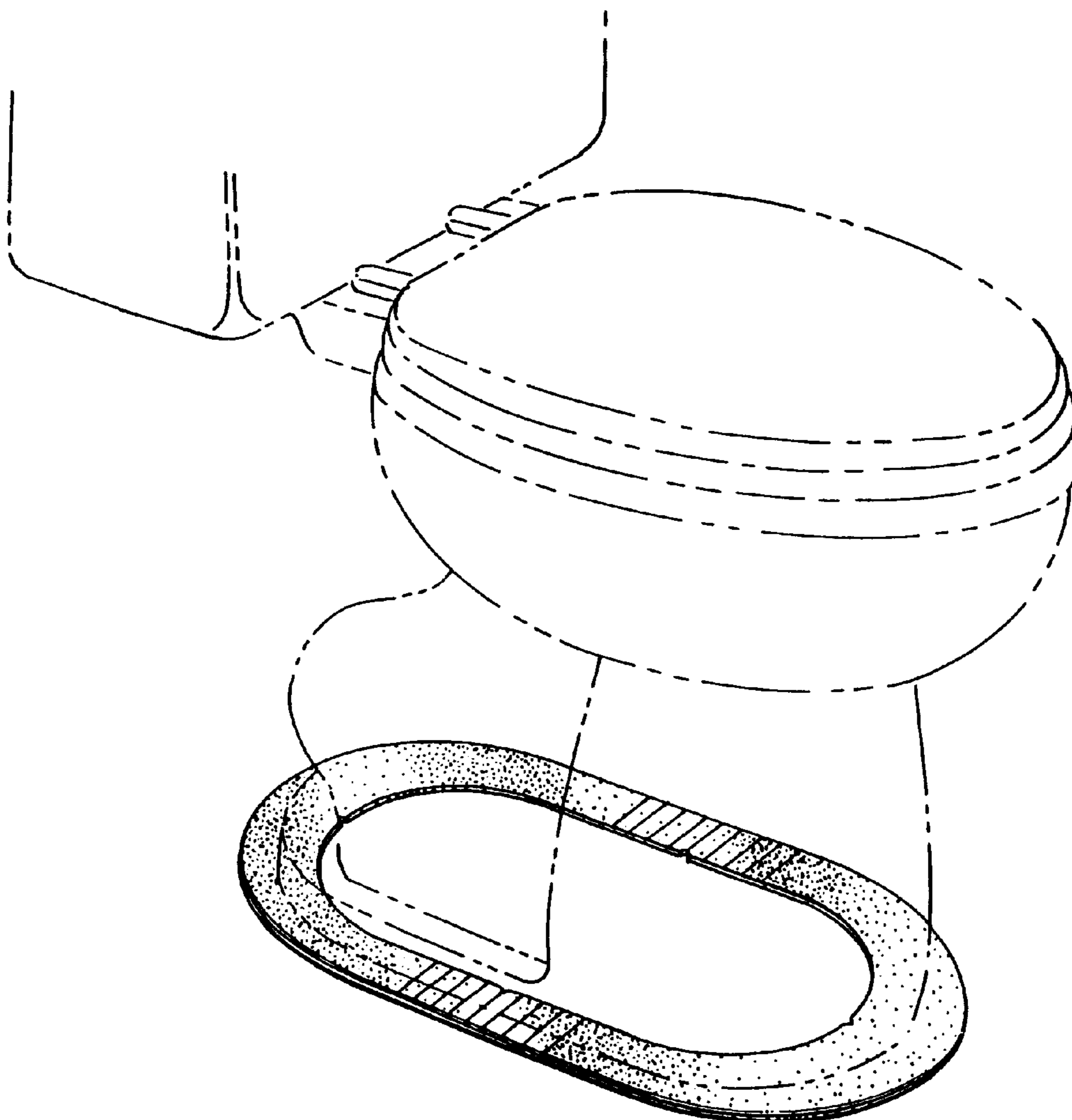
The broken line showing is for illustrative purposes only and forms no part of the claimed design.

[56] **References Cited**

U.S. PATENT DOCUMENTS

D. 255,481	6/1980	Moore	D23/309
D. 372,076	7/1996	White	D23/304
3,871,034	3/1975	Weigel	4/252.6
4,233,697	11/1980	Cornwall	4/252.4
4,384,910	5/1983	Prodyrna	156/92

1 Claim, 2 Drawing Sheets



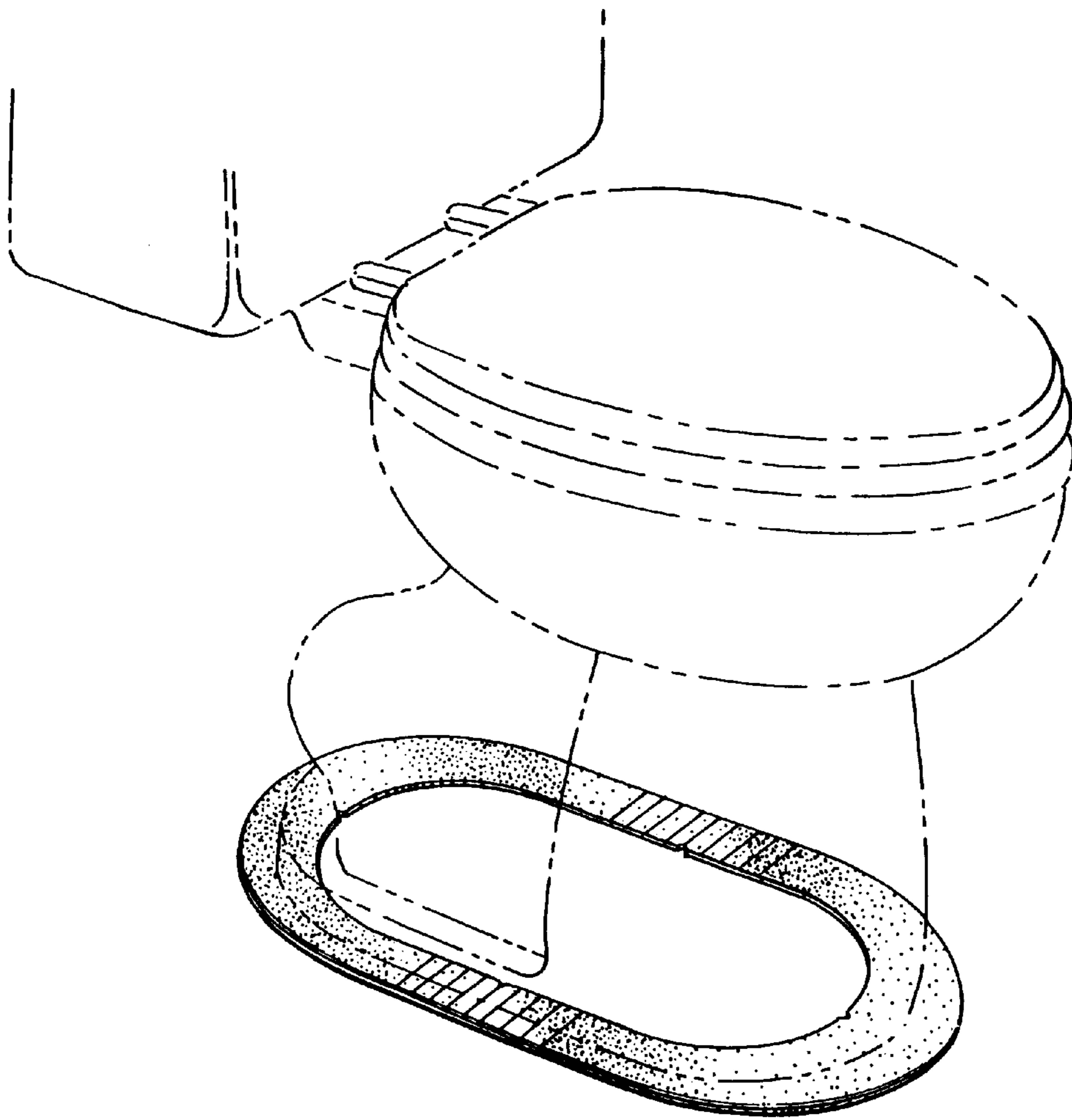


FIG. 1



FIG. 2



FIG. 3

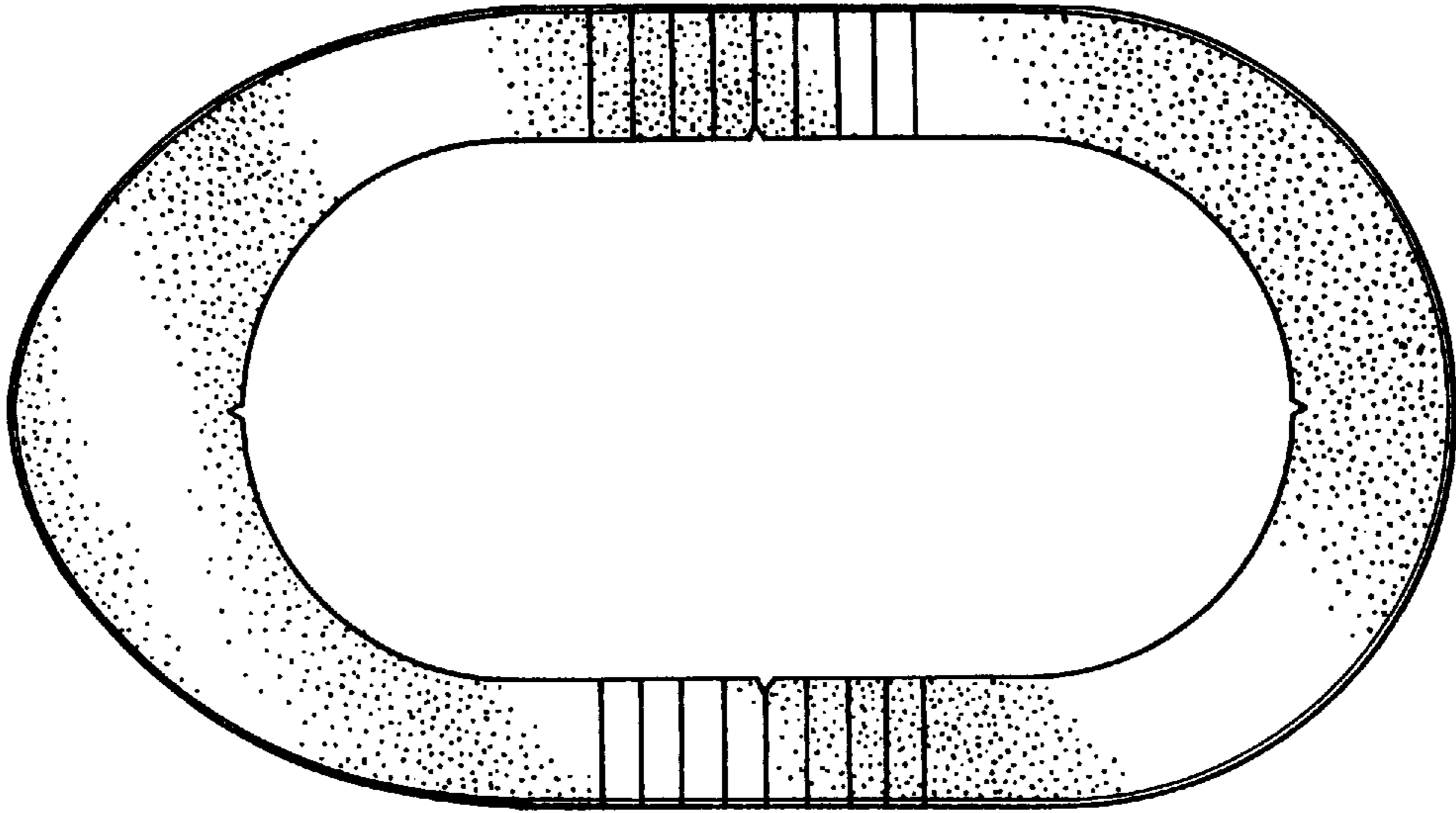


FIG. 4



FIG. 5



FIG. 6

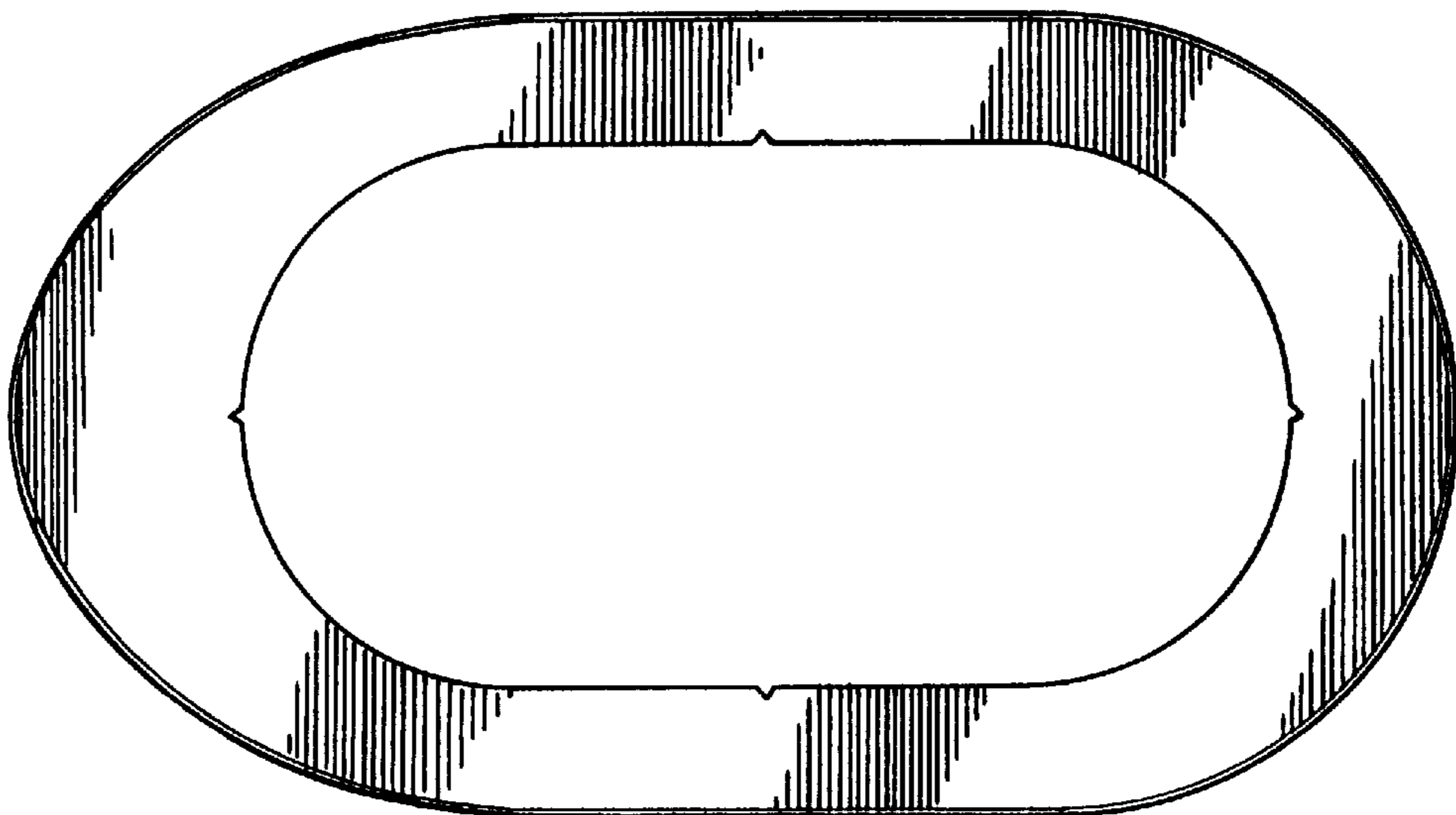


FIG. 7