



US00D421640S

United States Patent [19] Chih

[11] **Patent Number: Des. 421,640**

[45] **Date of Patent: ** Mar. 14, 2000**

[54] **WATERING HOSE JOINT PACKING**

OTHER PUBLICATIONS

[76] Inventor: **I-Shun Chih**, No. 5, Tyan Yang Lane,
Lu Kang Chen, Chang Hua County,
Taiwan

Water Whiz catalog; item #2200 Deluxe Plastic Sled Base;
p. 4, 1994.

[**] Term: **14 Years**

Primary Examiner—Robin V. Taylor
Attorney, Agent, or Firm—Dougherty & Troxell

[21] Appl. No.: **29/067,753**

[57] **CLAIM**

[22] Filed: **Mar. 10, 1997**

The ornamental design for a watering hose joint packing, as
shown and described.

[51] **LOC (6) Cl.** **23-01**

DESCRIPTION

[52] **U.S. Cl.** **D23/221**

[58] **Field of Search** D23/214–215,
D23/221, 217–219; 239/273, 276, 279

FIG. 1 is a front view of a watering hose joint packing
showing my new design;

FIG. 2 is a rear view thereof;

FIG. 3 is a left side view thereof;

FIG. 4 is a right side view thereof;

FIG. 5 is a top plan view thereof;

FIG. 6 is a bottom plan view thereof; and,

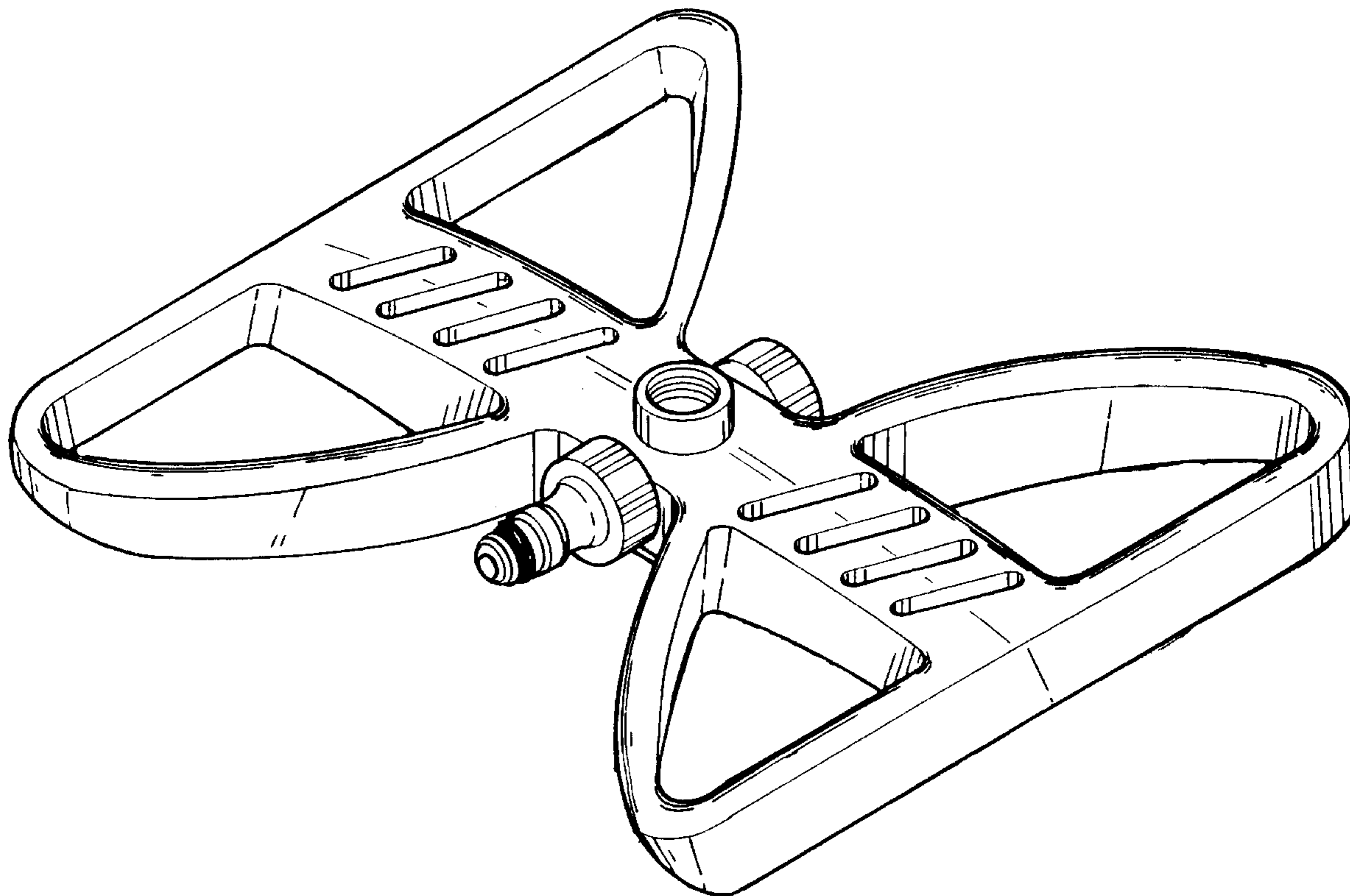
FIG. 7 is a perspective view thereof.

[56] **References Cited**

U.S. PATENT DOCUMENTS

D. 263,868	4/1982	Chow et al.	D23/221
D. 326,502	5/1992	Arnold	D23/221
D. 358,449	5/1995	Ford	D23/214
D. 378,399	3/1997	Simonetti et al.	D23/214
2,011,320	8/1935	Keys	239/273

1 Claim, 5 Drawing Sheets



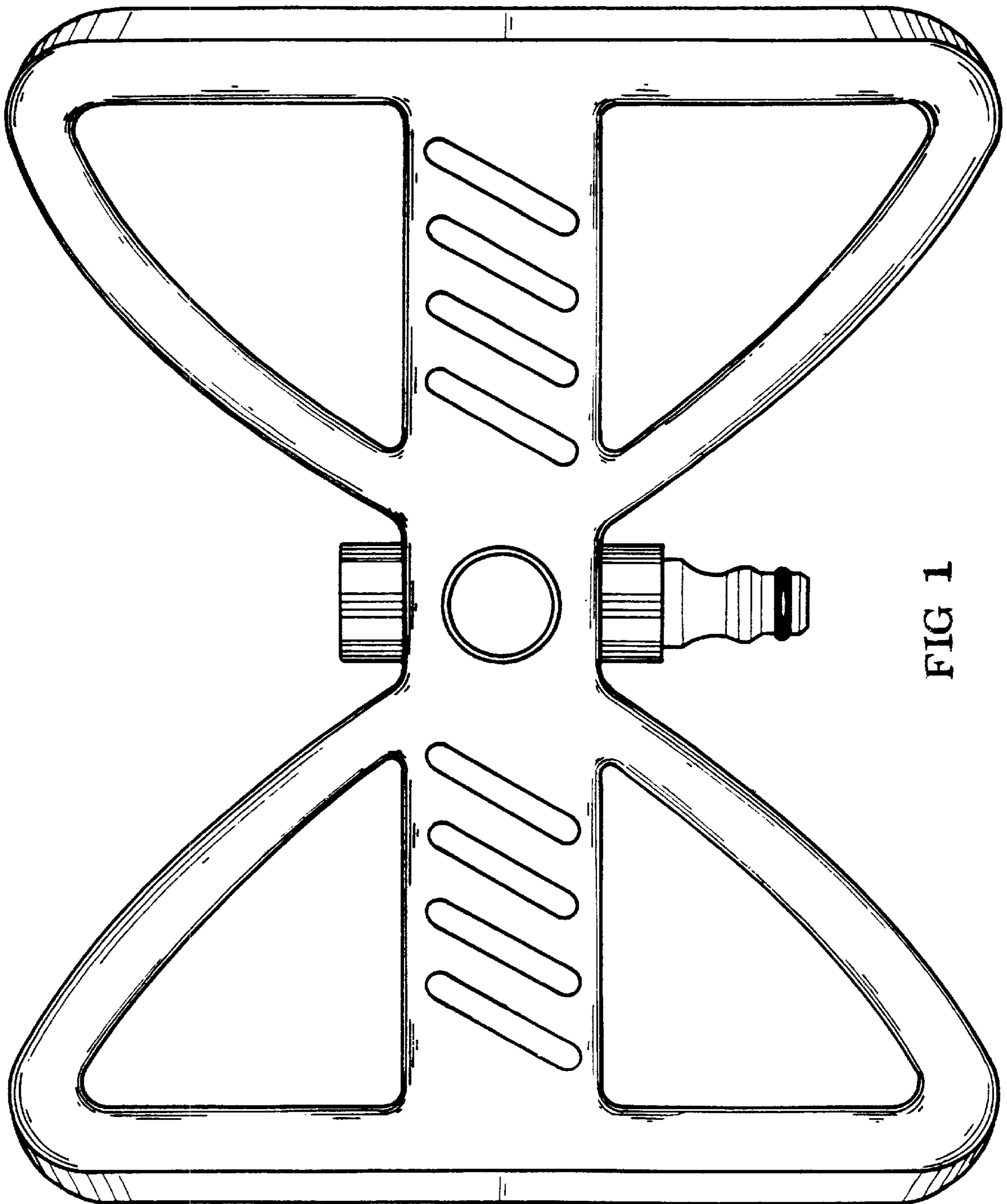


FIG 1

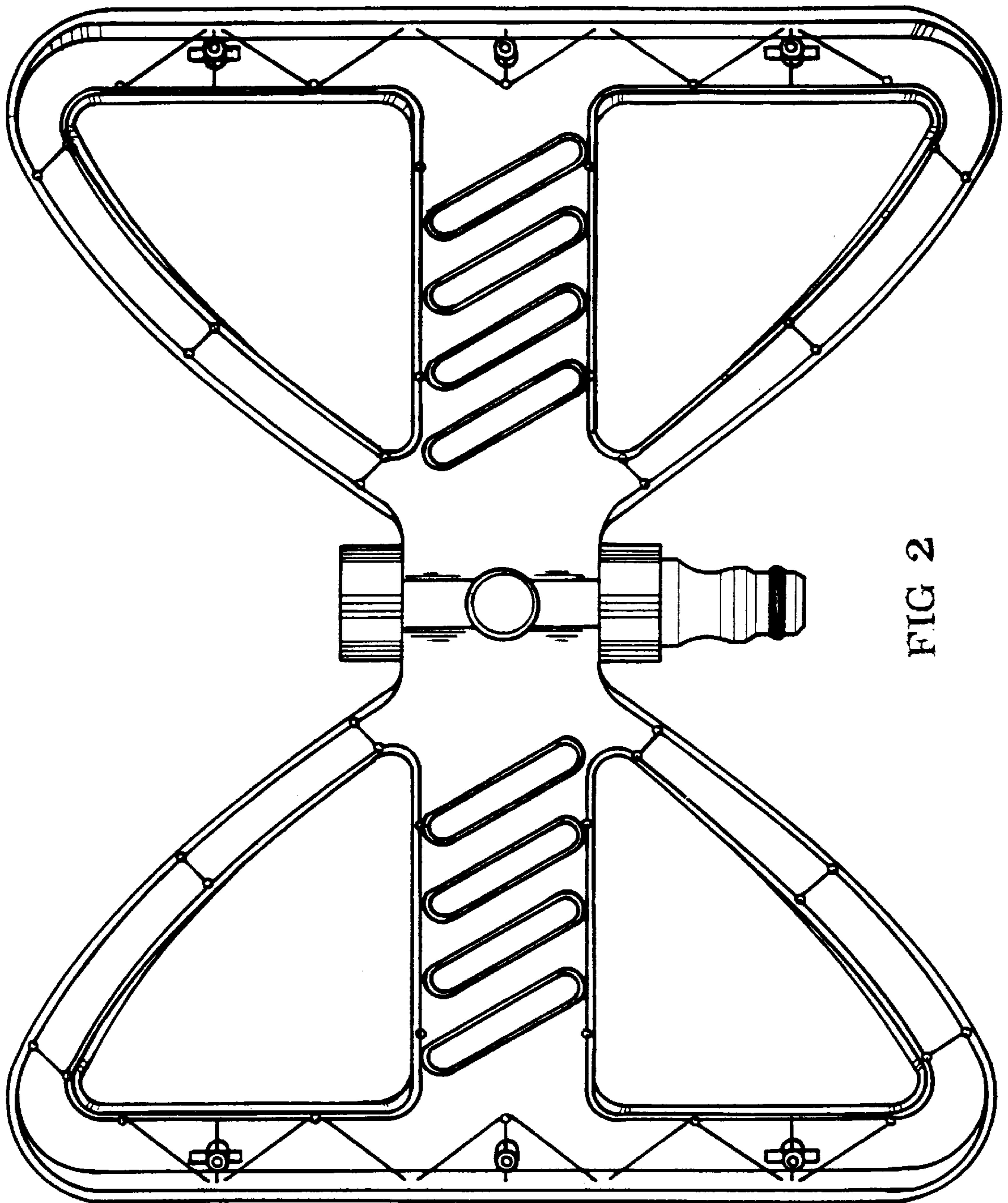


FIG 2

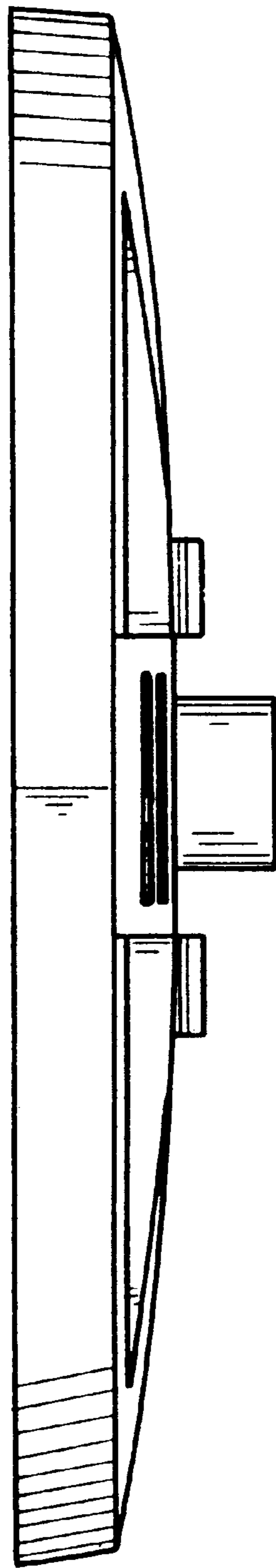


FIG 3

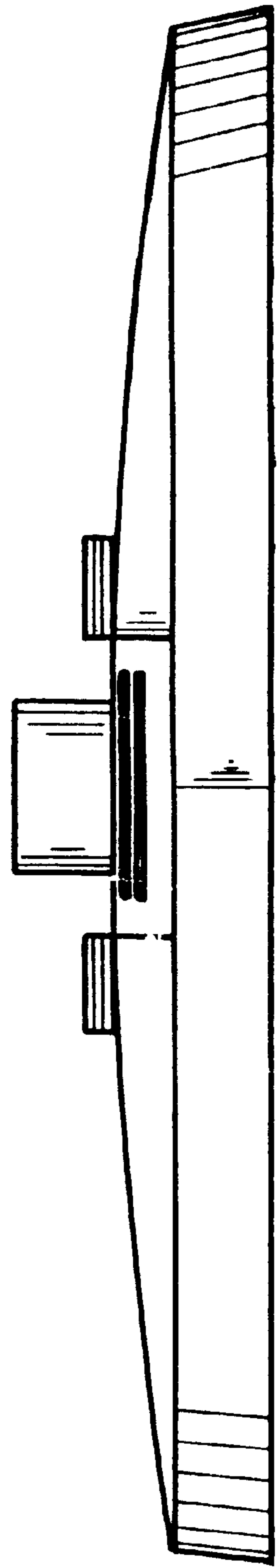


FIG 4

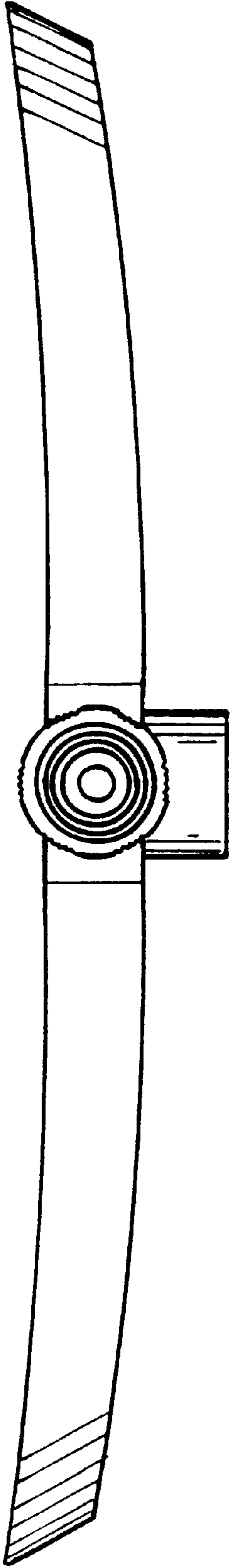


FIG 5

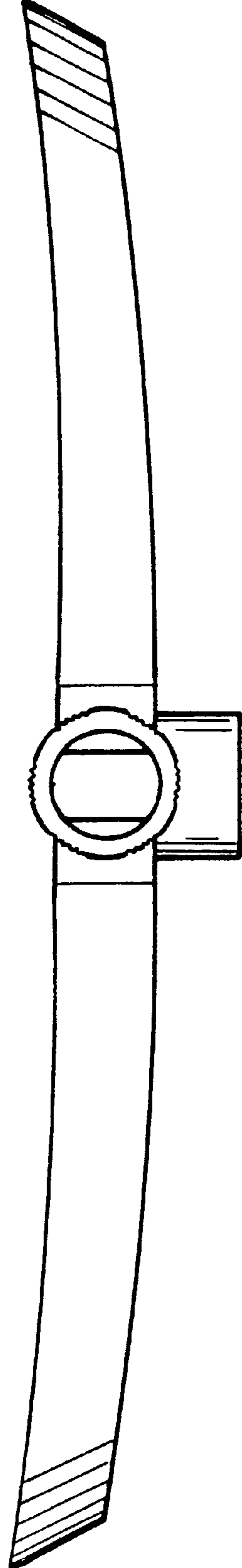


FIG 6

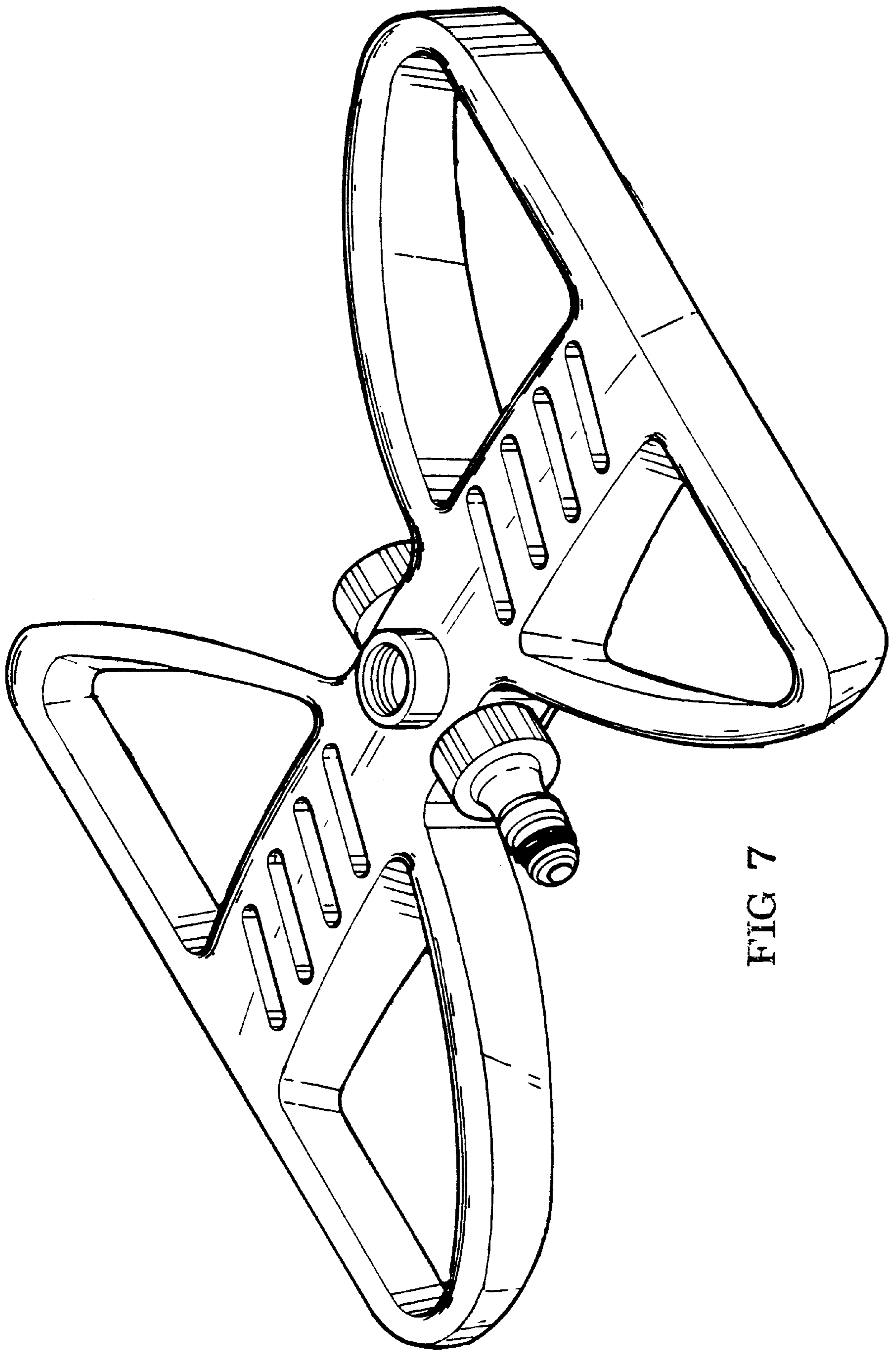


FIG 7