



US00D421639S

United States Patent [19] Clivio

[11] **Patent Number: Des. 421,639**

[45] **Date of Patent: ** Mar. 14, 2000**

[54] **SPRINKLER**

D. 355,476 2/1995 Schon D23/214
D. 371,596 7/1996 Simonetti D23/216

[75] Inventor: **Franco Clivio**, Erlenbach, Switzerland

OTHER PUBLICATIONS

[73] Assignee: **Gardena Kress + Kastner GmbH**,
Germany

Catalog Gardena '96, published Sep. 1995.
Catalog Nelson, published 1997.

[**] Term: **14 Years**

Primary Examiner—Robin V. Taylor
Attorney, Agent, or Firm—Quarles & Brady

[21] Appl. No.: **29/100,153**

[22] Filed: **Feb. 5, 1999**

[57] CLAIM

[30] Foreign Application Priority Data

The ornamental design for a sprinkler, as shown and described.

Aug. 8, 1998 [DE] Germany 4 98 08 205

DESCRIPTION

[51] **LOC (6) Cl.** **23-01**

FIG. 1 is a side perspective view of a sprinkler showing my new design;

[52] **U.S. Cl.** **D23/214; D23/216**

FIG. 2 is a top plan view thereof;

[58] **Field of Search** D23/213-216;
239/240-242, 222.13, 222.21

FIG. 3 is a side elevation view thereof;

FIG. 4 is a front elevation view thereof;

FIG. 5 is a rear elevation view thereof;

FIG. 6 is an opposite side elevation view thereof; and,

FIG. 7 is a bottom plan view thereof.

[56] References Cited

U.S. PATENT DOCUMENTS

D. 234,765 4/1975 Raffler et al. D23/214
D. 351,214 10/1994 Clivio D23/214

1 Claim, 4 Drawing Sheets

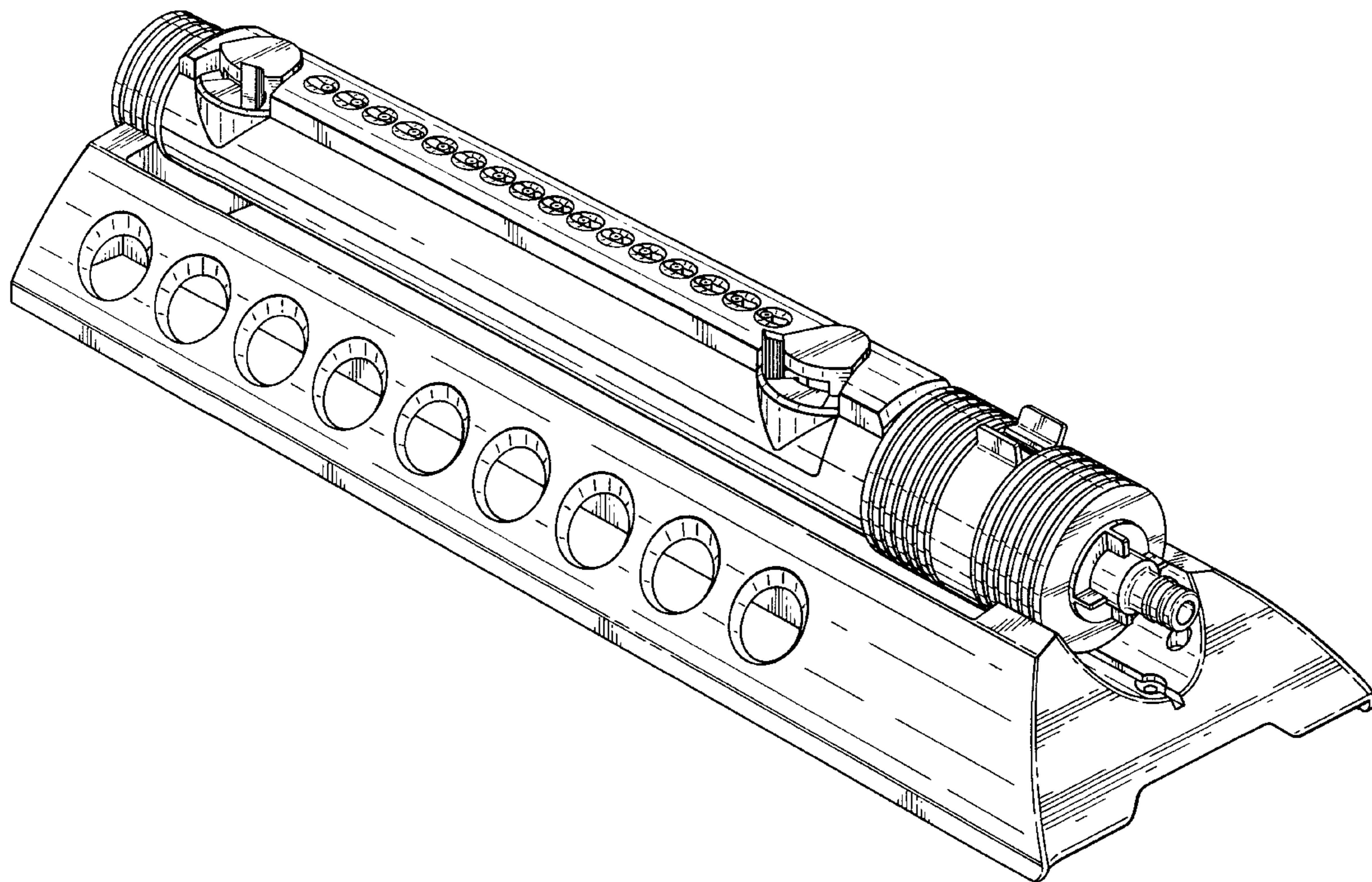
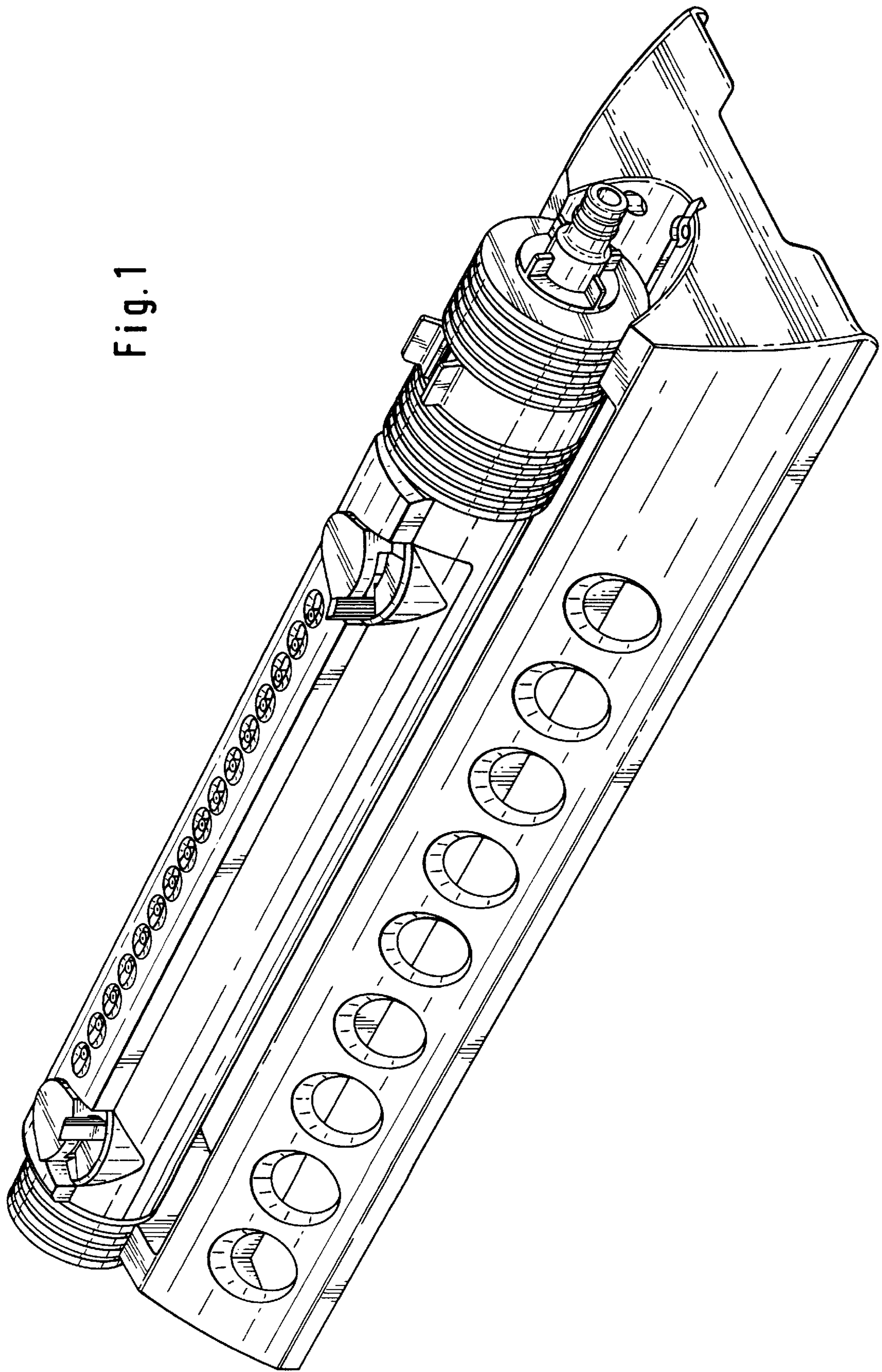


Fig. 1



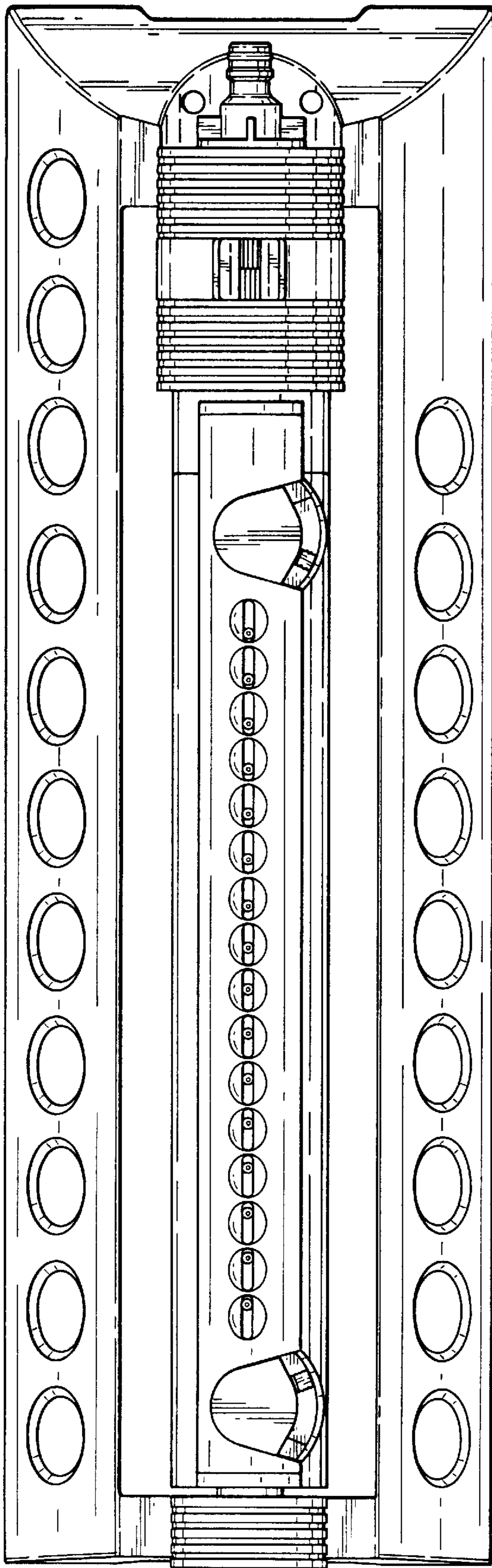


Fig. 2

Fig. 3

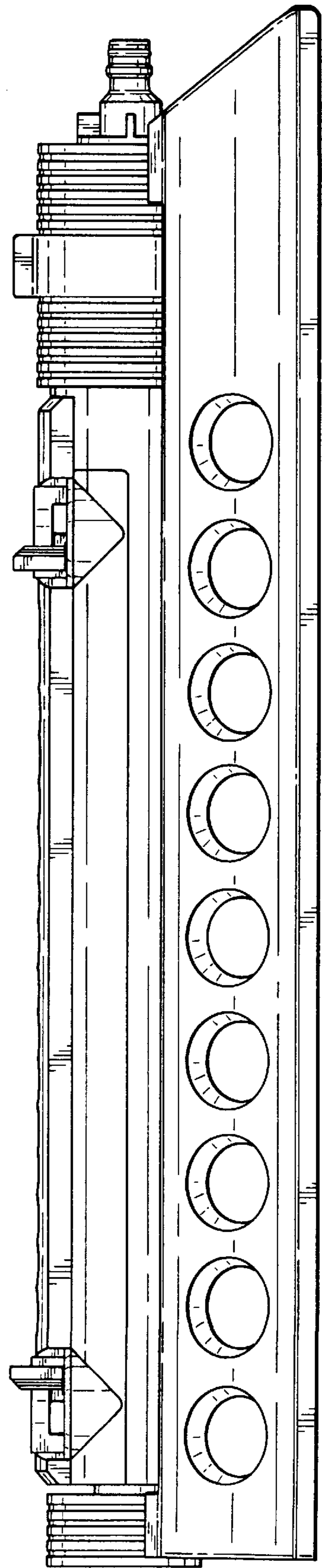


Fig. 3

Fig. 4

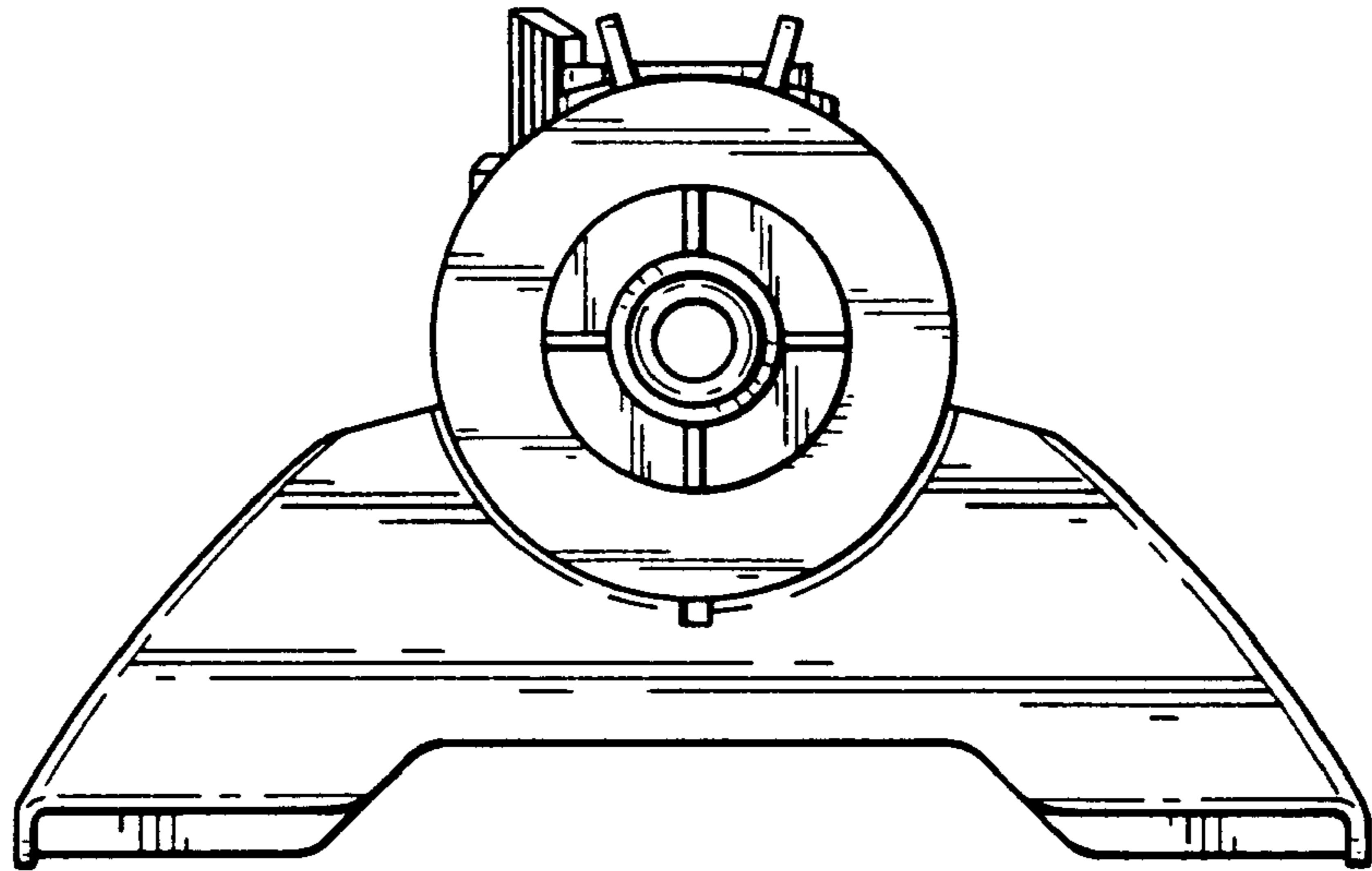
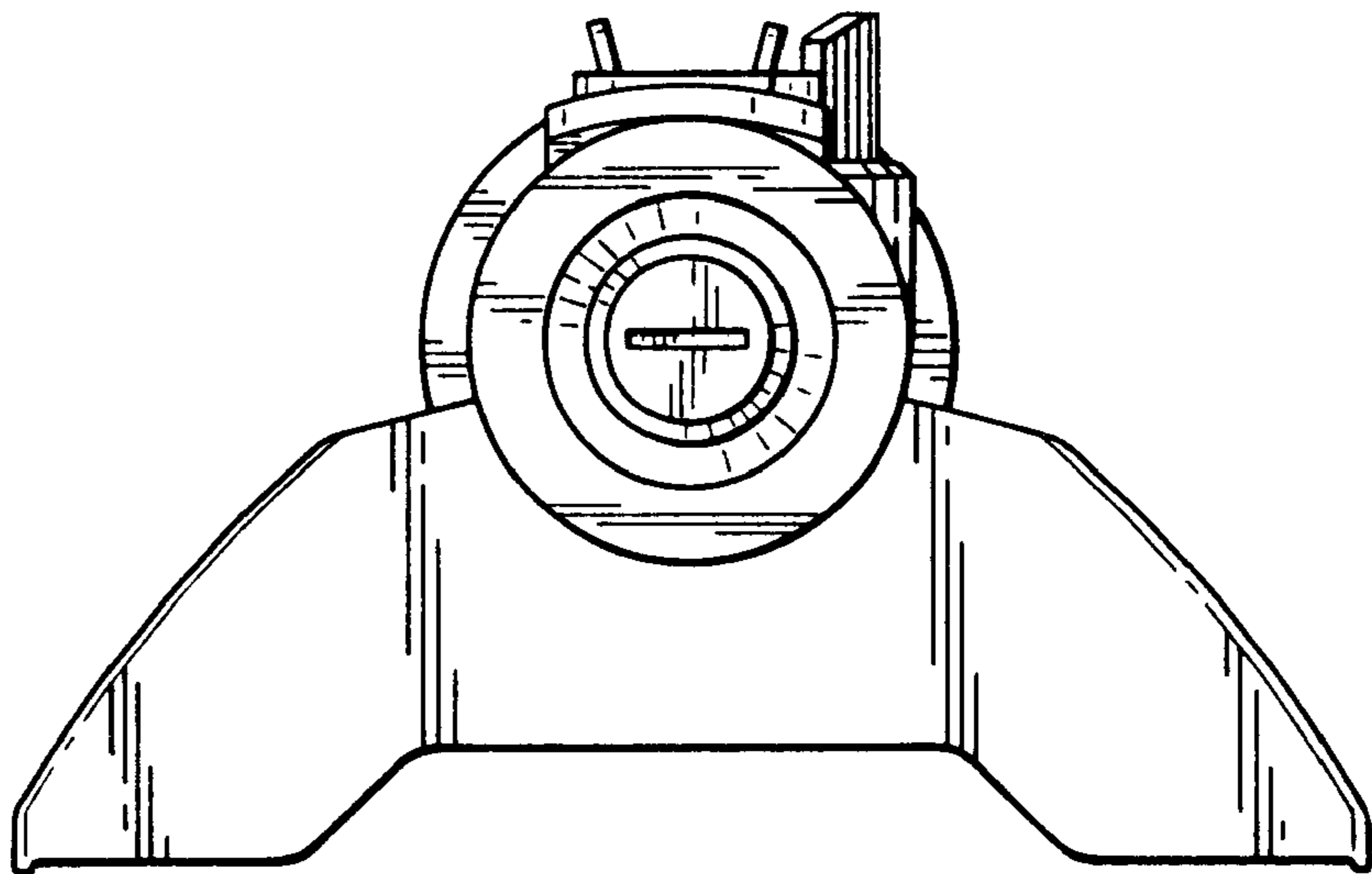


Fig. 5



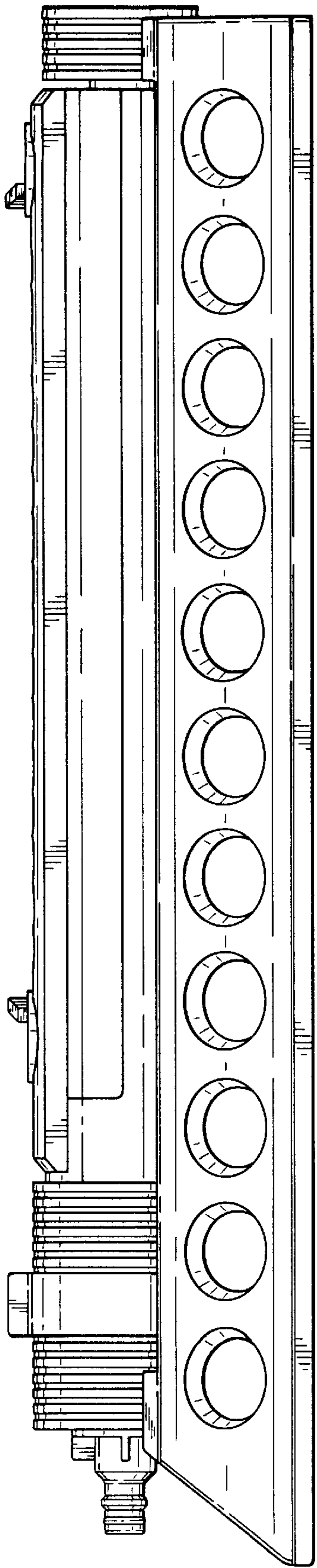


Fig. 6

Fig. 7

