



US00D421636S

**United States Patent** [19]  
**Manus**

[11] **Patent Number: Des. 421,636**

[45] **Date of Patent: \*\* Mar. 14, 2000**

[54] **PLAYGROUND CLIMBER**

3,850,428 11/1974 Zuber ..... 482/36  
4,580,777 4/1986 Johnson ..... D21/245 X

[76] Inventor: **Ray G. Manus**, 6334 US Hwy 221-A,  
Mooresboro, N.C. 28114

**FOREIGN PATENT DOCUMENTS**

[\*\*] Term: **14 Years**

2026417 12/1971 Germany ..... 482/35  
1405885 9/1975 United Kingdom ..... 482/35

[21] Appl. No.: **29/005,460**

**OTHER PUBLICATIONS**

[22] Filed: **Mar. 5, 1993**

Popular Science, Jul. 1982, p. 96 and p. 88.  
General Playground Equipment, 1948, p. 27 Bike Rack, Top  
of the Page.  
Jamison, 1965, p. 5, Items #515-689, 515-648 #515-470.  
Quality Industries Inc., 1983, Cat #882 Steel Ring Climber.

**Related U.S. Application Data**

[62] Division of application No. 07/509,617, Apr. 16, 1990.

*Primary Examiner*—Prabhakar G. Deshmukh

[51] **LOC (6) Cl.** ..... **21-03**

[52] **U.S. Cl.** ..... **D21/826**

[58] **Field of Search** ..... D21/244, 245,  
D21/240; 472/2; 482/35, 36, 37, 148

[57] **CLAIM**

The ornamental design for playground climber, as shown  
and described.

[56] **References Cited**

**DESCRIPTION**

**U.S. PATENT DOCUMENTS**

D. 92,309	5/1934	Horne	.....	D21/245
D. 160,419	10/1950	Packer	.....	D21/245
D. 237,398	10/1975	Wormser	.....	D21/245
D. 248,978	8/1978	Shaneour	.....	D21/245
1,471,465	10/1923	Hinton	.....	D21/245 X
3,211,452	10/1965	Ahrens	.....	482/35
3,730,520	5/1973	Willis	.....	D21/245 X

FIG. 1 is a perspective view of a playground climber showing  
my new design.  
FIG. 2 is a top plan of FIG. 1; and,  
FIG. 3 is a side elevational view of FIG. 1; opposite sides  
elevational views being a mirror image thereof.

**1 Claim, 3 Drawing Sheets**

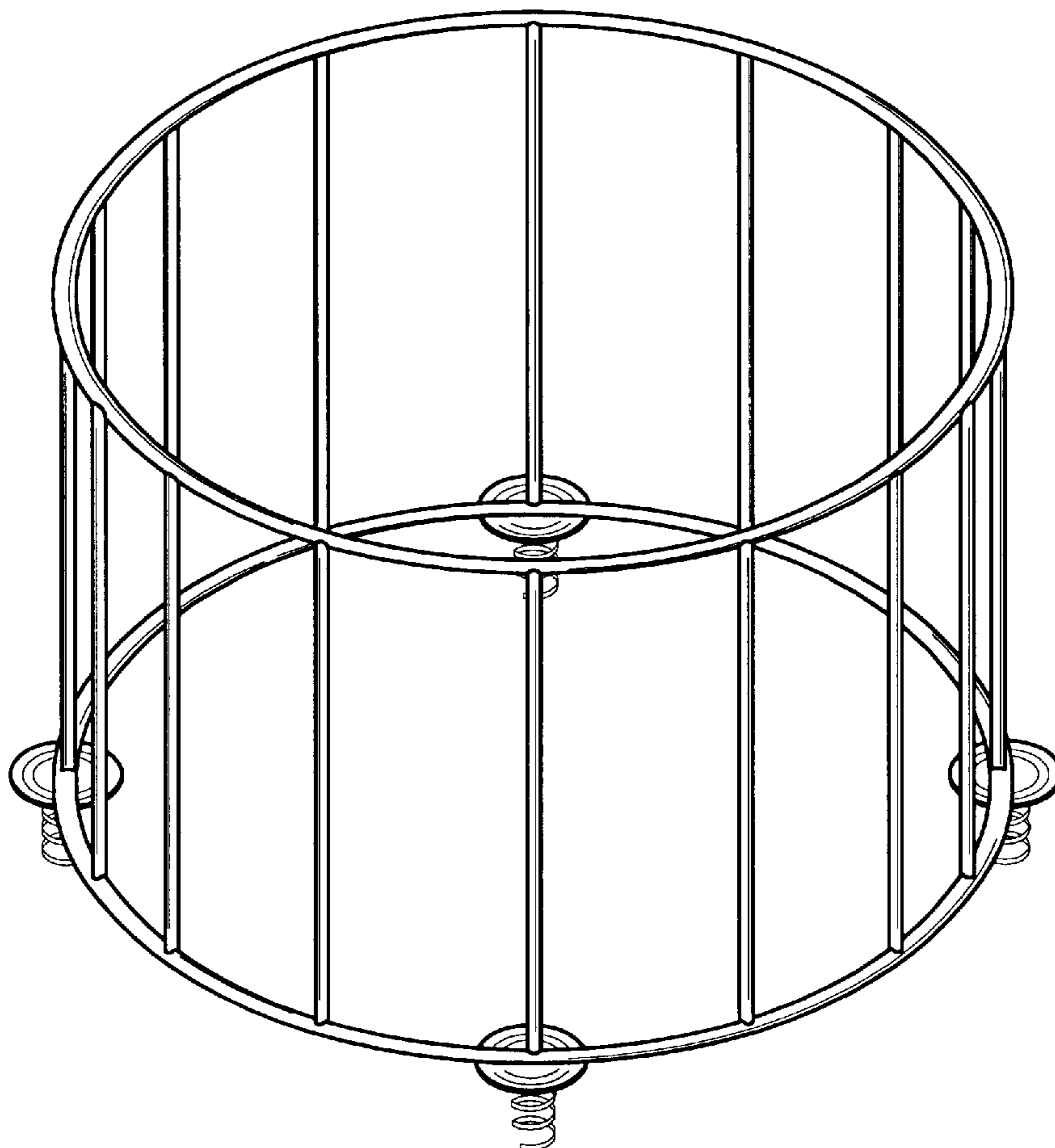


FIG. 1

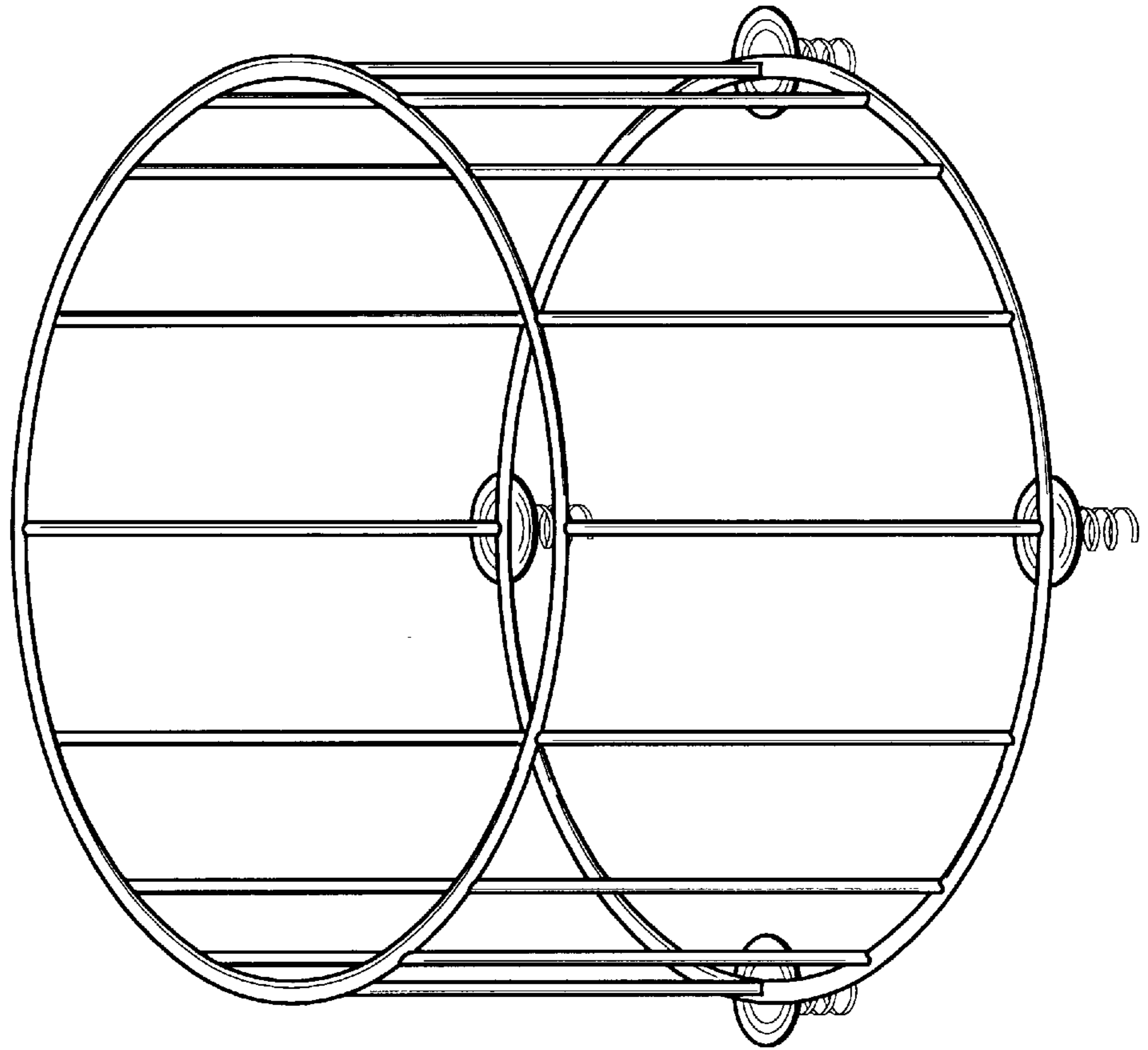


FIG. 2

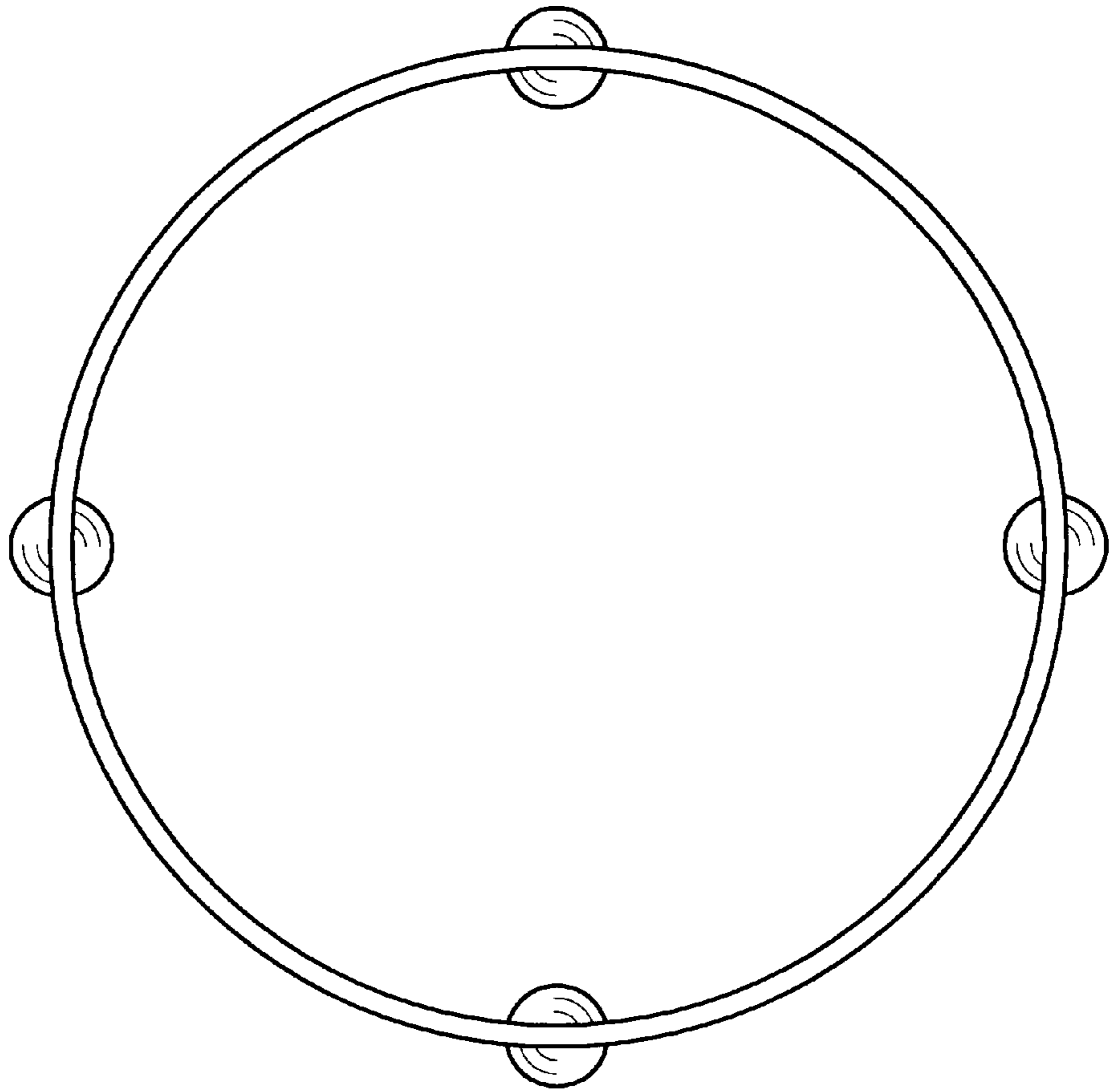


FIG. 3

