



US00D421634S

United States Patent [19]
Kageyama et al.

[11] **Patent Number: Des. 421,634**
[45] **Date of Patent: ** *Mar. 14, 2000**

[54] **TOY**
[75] Inventors: **Koji Kageyama; Masahiro Fujita; Hideki Noma**, all of Tokyo, Japan
[73] Assignee: **Sony Corporation**, Tokyo, Japan
[*] Notice: This patent is subject to a terminal disclaimer.
[**] Term: **14 Years**

D. 266,777 11/1982 Lucas, Jr. et al. D21/585
D. 305,053 12/1989 Doi D21/584
D. 307,778 5/1990 Shinohara D21/584

Primary Examiner—Sandra L. Morris
Attorney, Agent, or Firm—Foley & Lardner

[21] Appl. No.: **29/082,509**
[22] Filed: **Jan. 23, 1998**
[30] **Foreign Application Priority Data**
Jul. 25, 1997 [JP] Japan 9-62454
[51] **LOC (6) Cl.** **21-01**
[52] **U.S. Cl.** **D21/584; D21/611**
[58] **Field of Search** D21/576–595,
D21/611, 617, 658; D11/158; 446/97, 98,
153, 268, 269, 279, 369

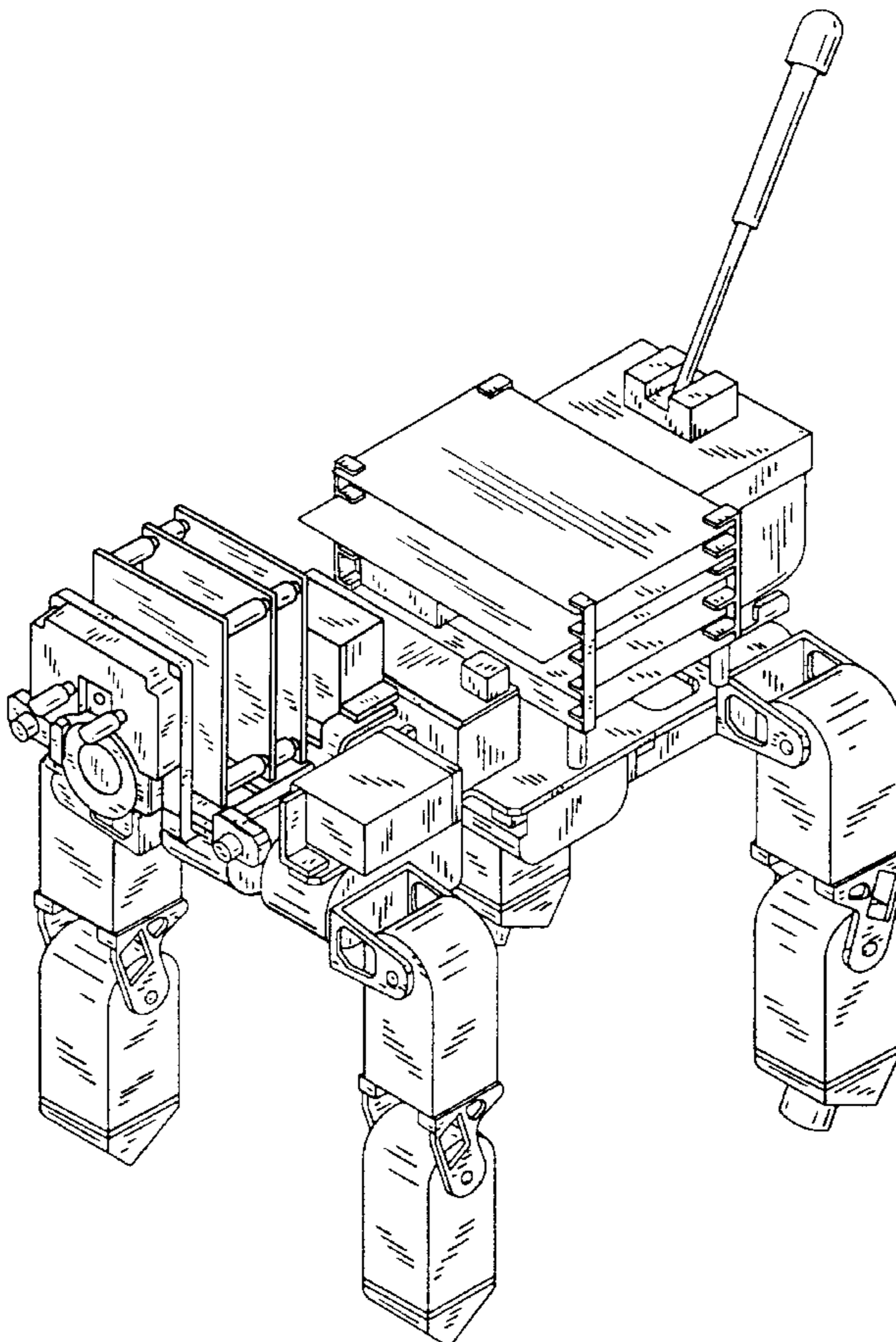
[57] **CLAIM**
The ornamental design for a toy, as shown and described.

DESCRIPTION

The entire disclosure of design patent application Ser. No. 29/079,809 filed Nov. 19, 1997 including drawing description and drawings is incorporated herein by reference.
FIG. 1 is a perspective view of a toy showing our new design;
FIG. 2 is a top plan view thereof;
FIG. 3 is a left side elevational view thereof;
FIG. 4 is a front elevational view thereof;
FIG. 5 is a bottom plan view thereof;
FIG. 6 is a right side elevational view thereof; and,
FIG. 7 is a rear elevational view thereof.

[56] **References Cited**
U.S. PATENT DOCUMENTS
D. 186,323 10/1959 Kinniburgh D21/611

1 Claim, 4 Drawing Sheets



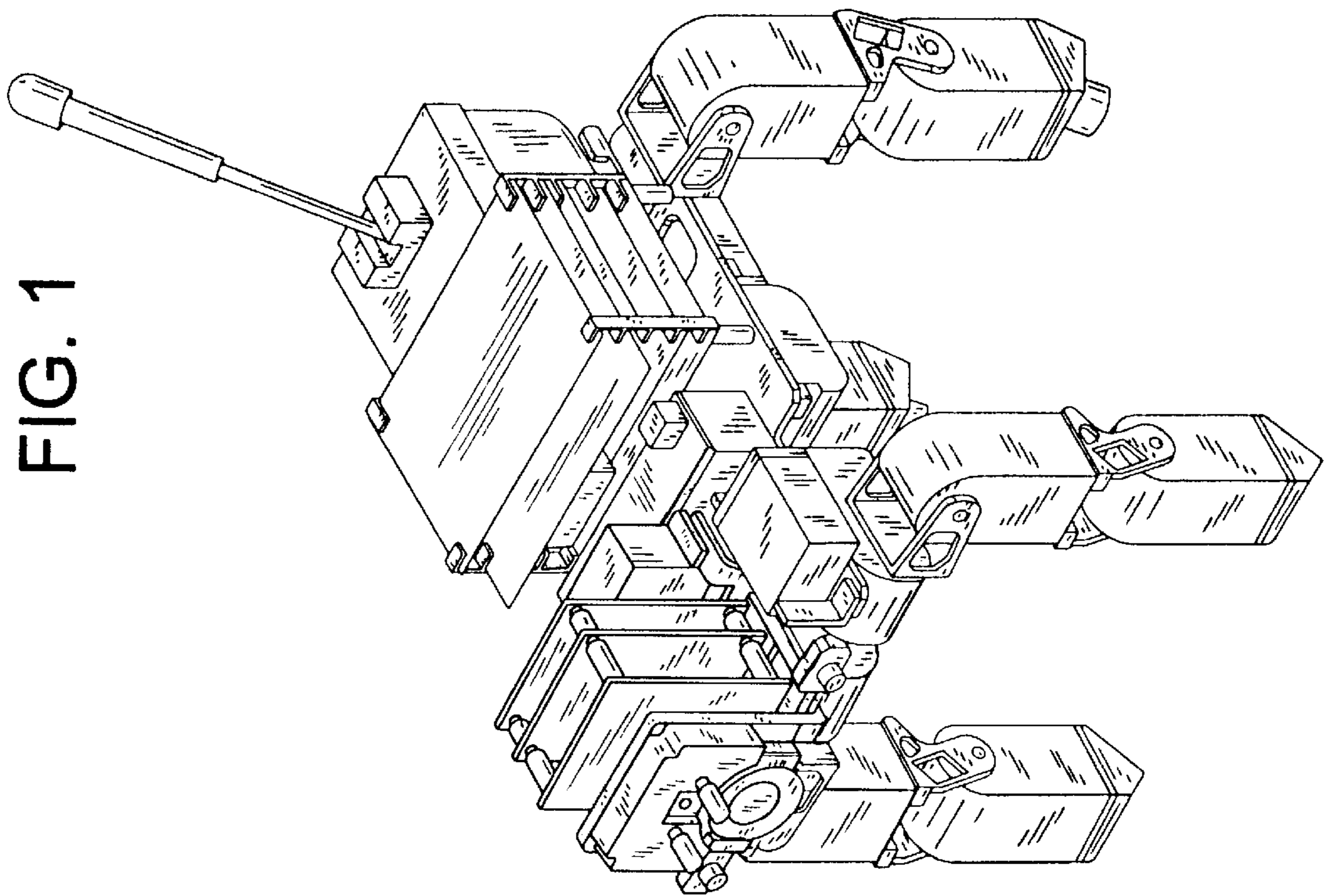


FIG. 1

FIG. 5

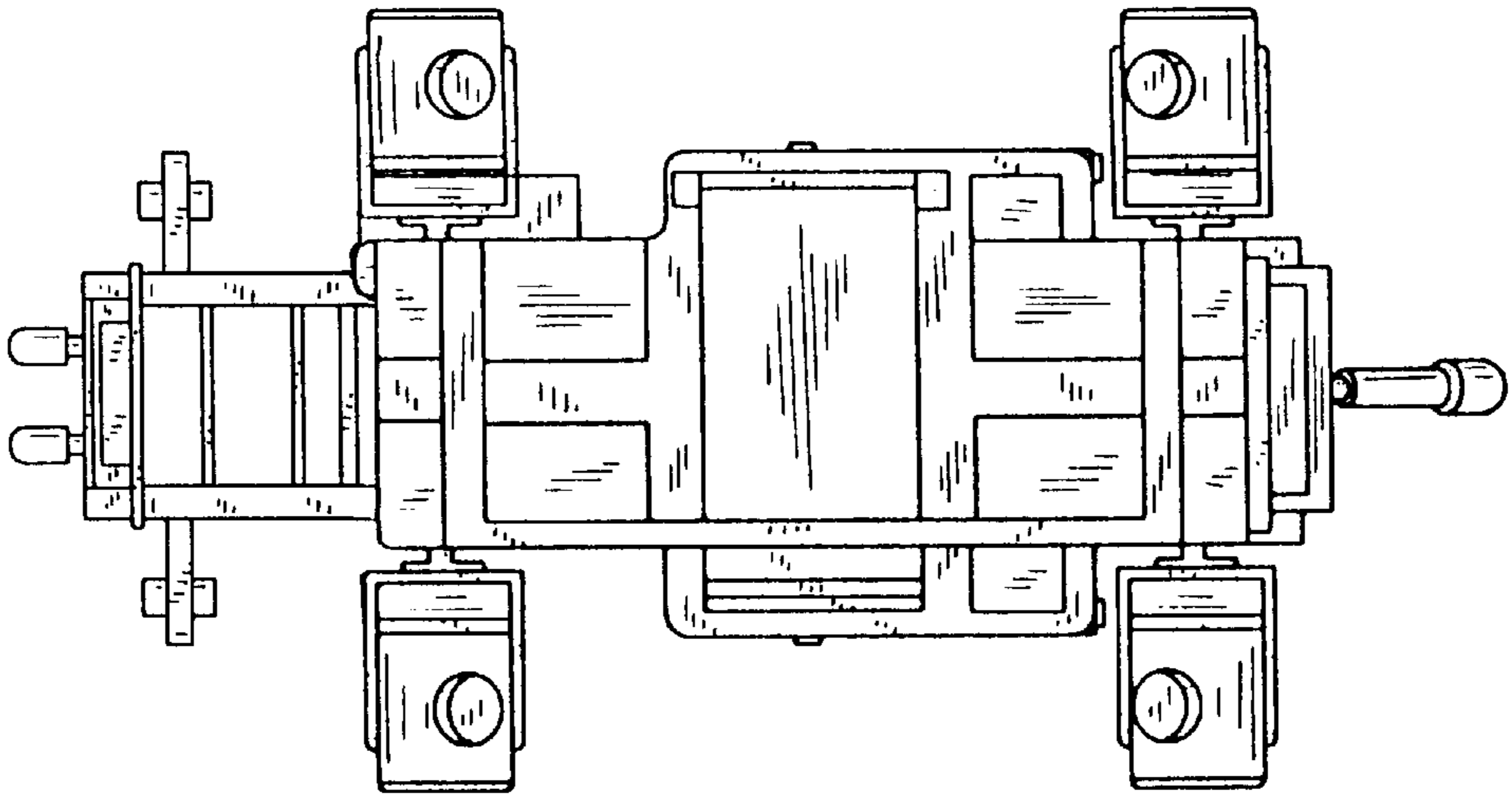


FIG. 2

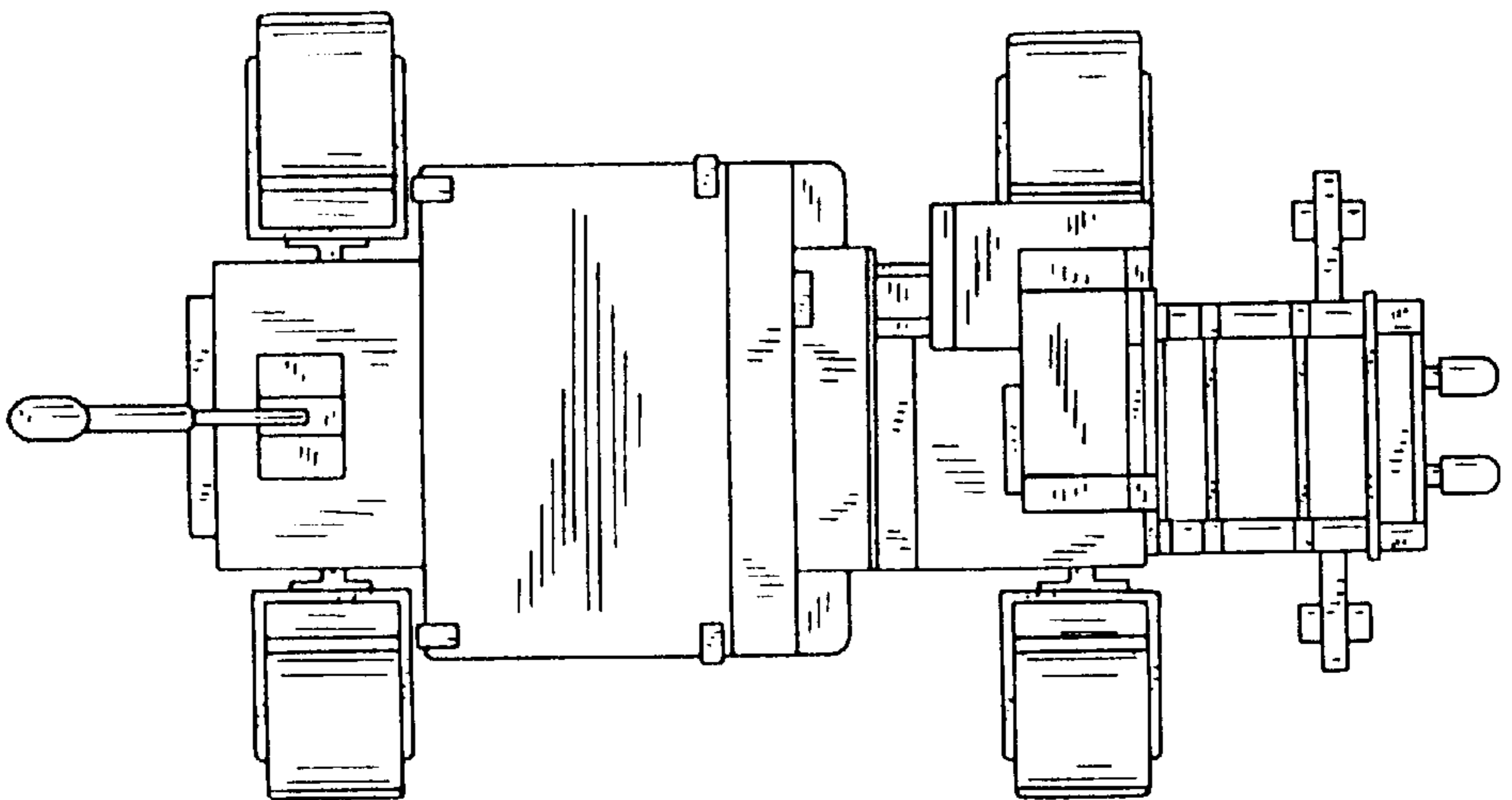


FIG. 4

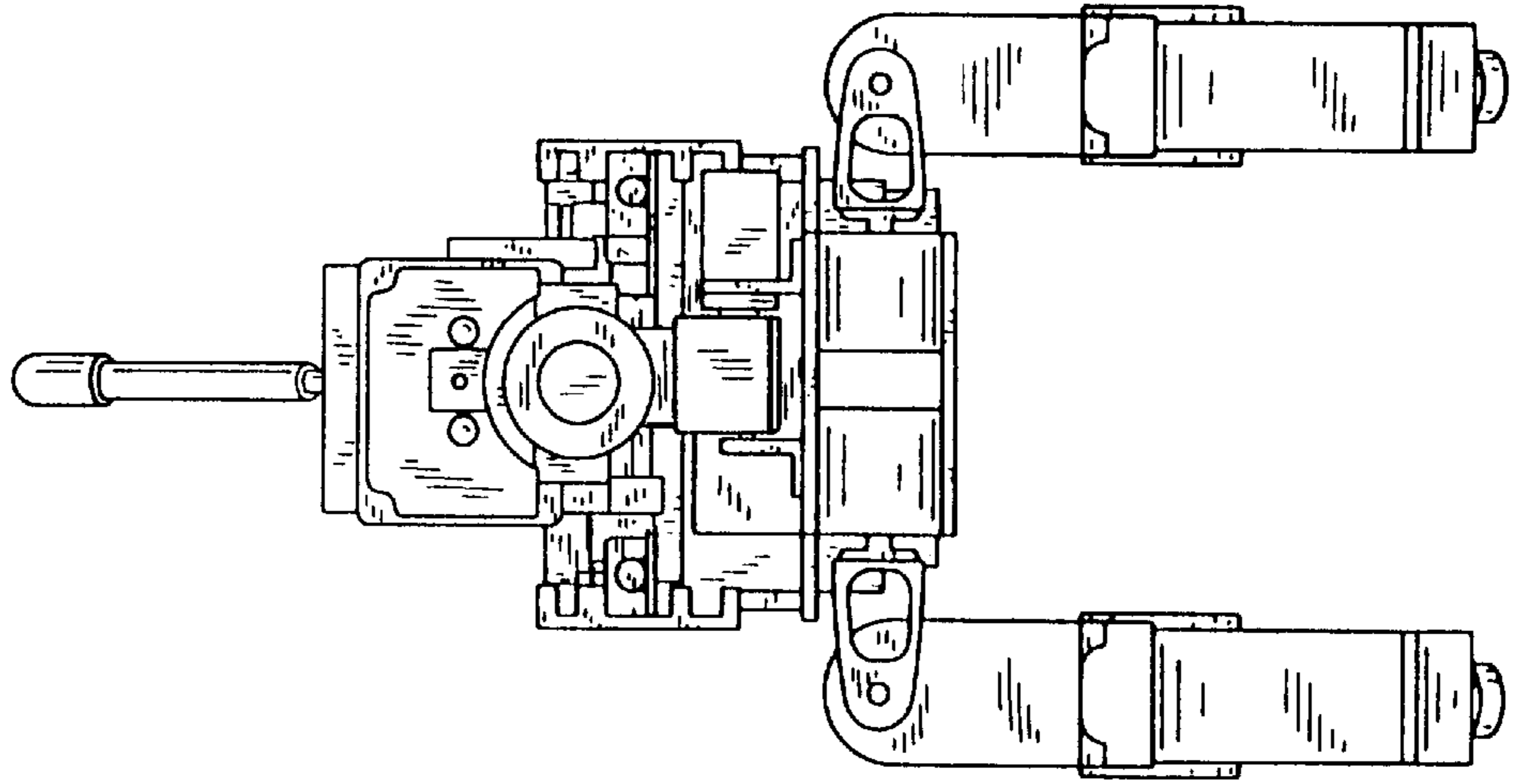


FIG. 3

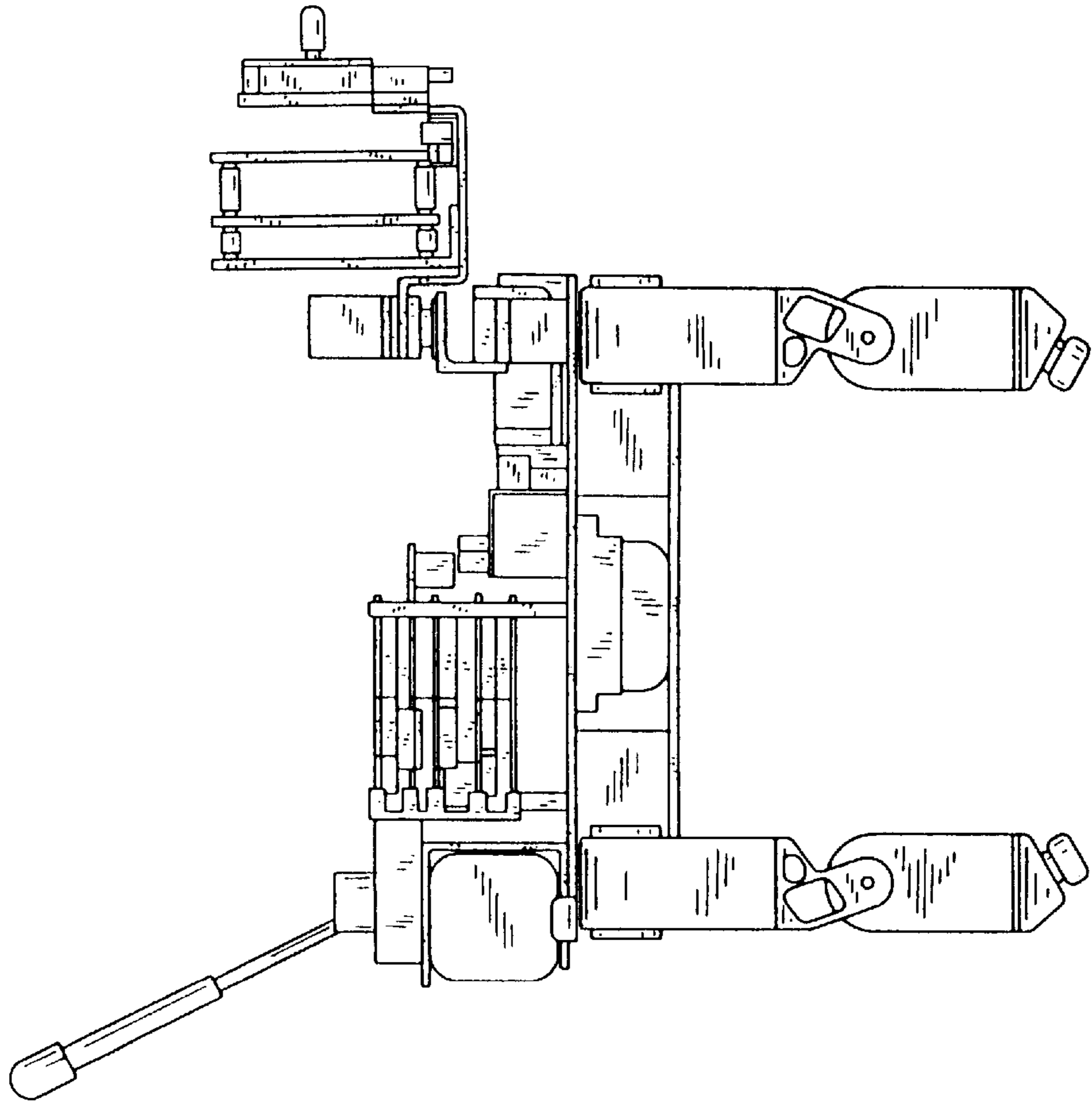


FIG. 7

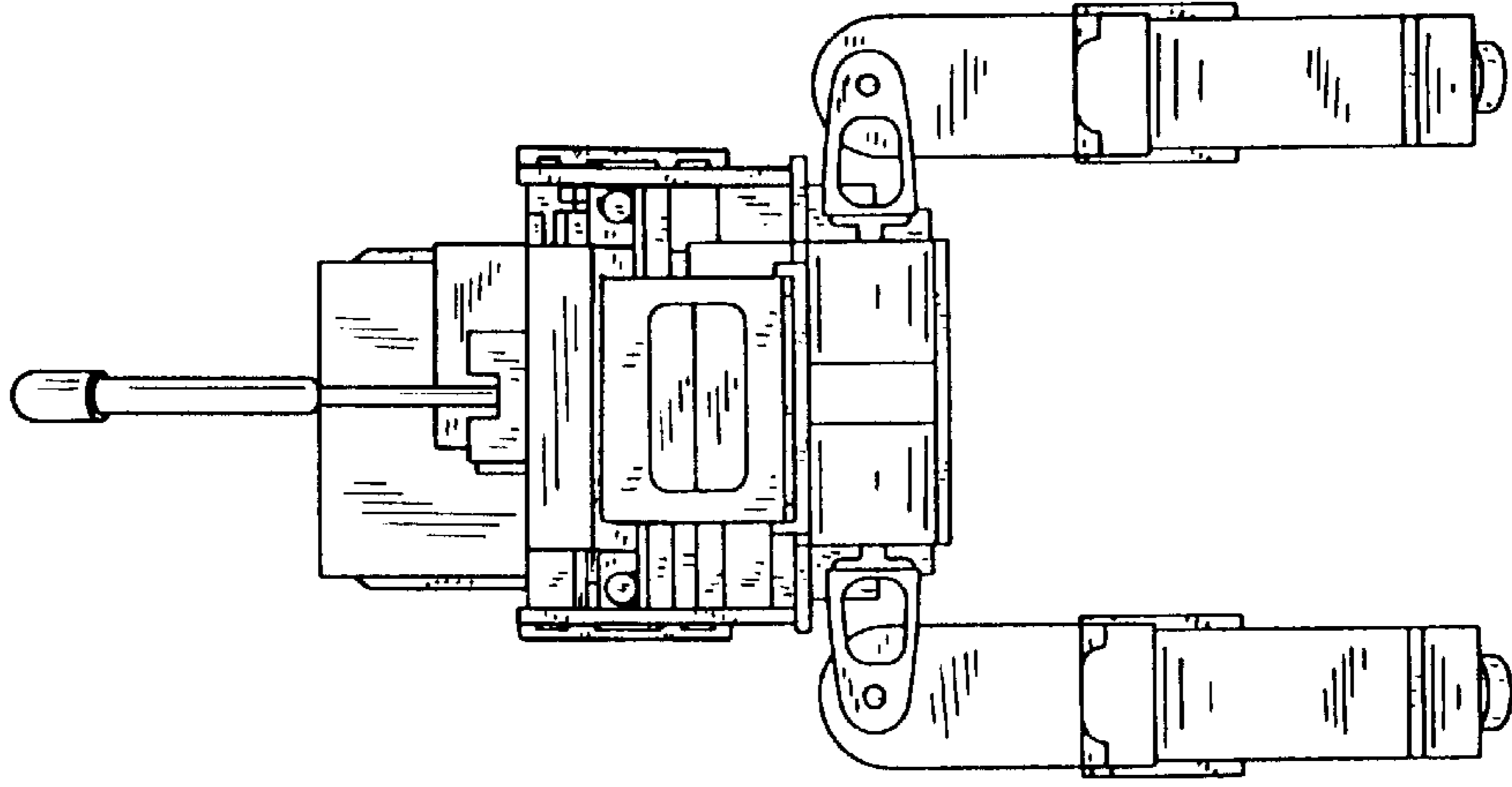


FIG. 6

