



US00D421633S

United States Patent [19] Hollister

[11] **Patent Number: Des. 421,633**

[45] **Date of Patent: ** Mar. 14, 2000**

[54] **TOY GAME**

D. 171,831 3/1954 Savran D21/398 X

[76] Inventor: **Ed Hollister**, 3026 3rd St., Boulder, Colo. 80304

Primary Examiner—Dominic Simone

[**] Term: **14 Years**

[57] **CLAIM**

I claim the ornamental design for a toy game, as shown and described.

[21] Appl. No.: **29/088,571**

[22] Filed: **May 27, 1998**

DESCRIPTION

[51] **LOC (6) Cl.** **21-01**

FIG. 1 is a left, rear, perspective view of a toy game showing my new design;

[52] **U.S. Cl.** **D21/465; D21/468**

FIG. 2 is a front elevational view thereof;

[58] **Field of Search** D21/398, 465, D21/466, 468; 446/166, 167, 176, 202, 211; 473/575

FIG. 3 is a rear elevational view thereof;

FIG. 4 is a left side elevational view thereof, the right side being a mirror image; and,

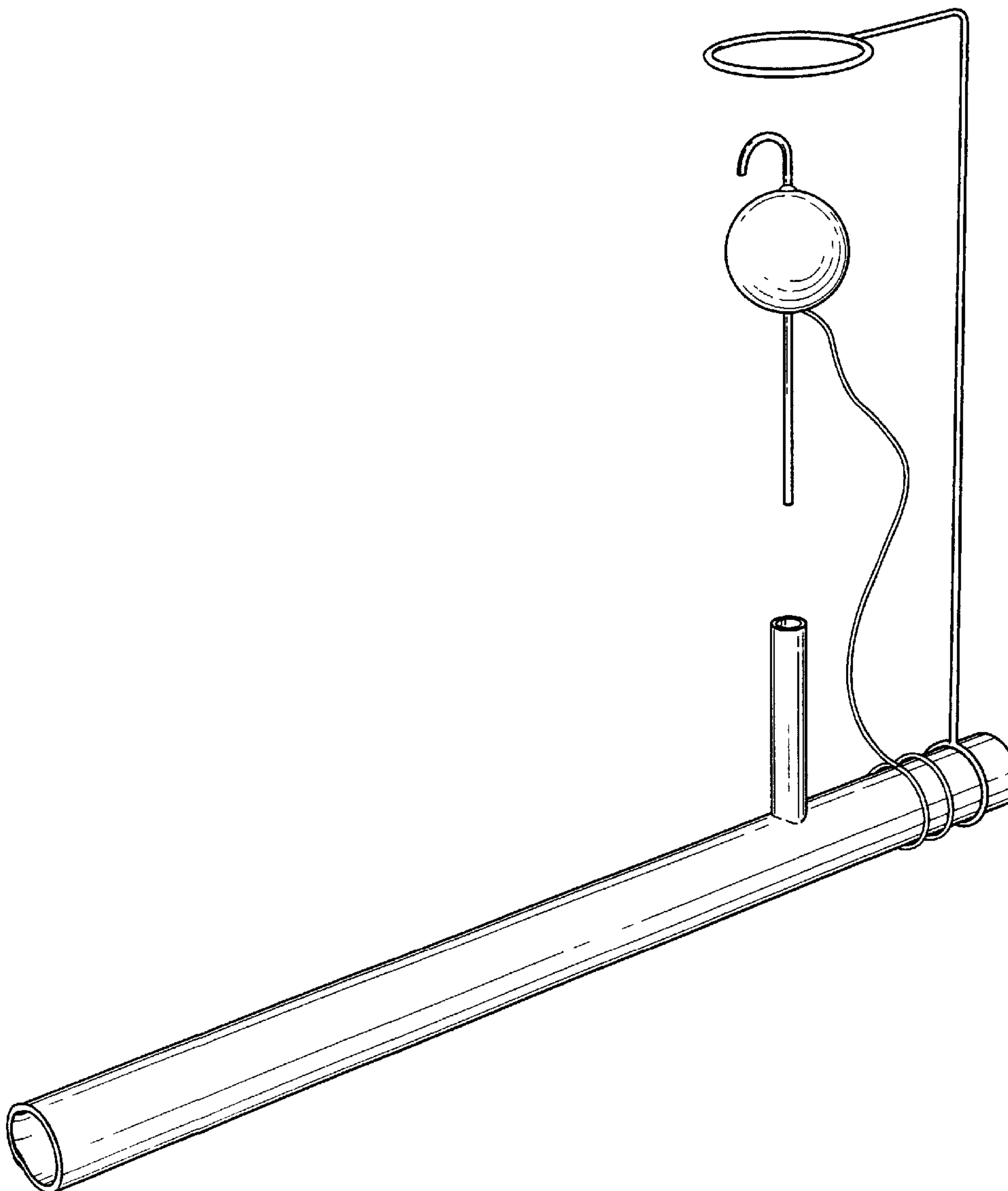
FIG. 5 is a top plan view thereof.

[56] **References Cited**

U.S. PATENT DOCUMENTS

D. 28,906 6/1898 Scheifley D21/398

1 Claim, 2 Drawing Sheets



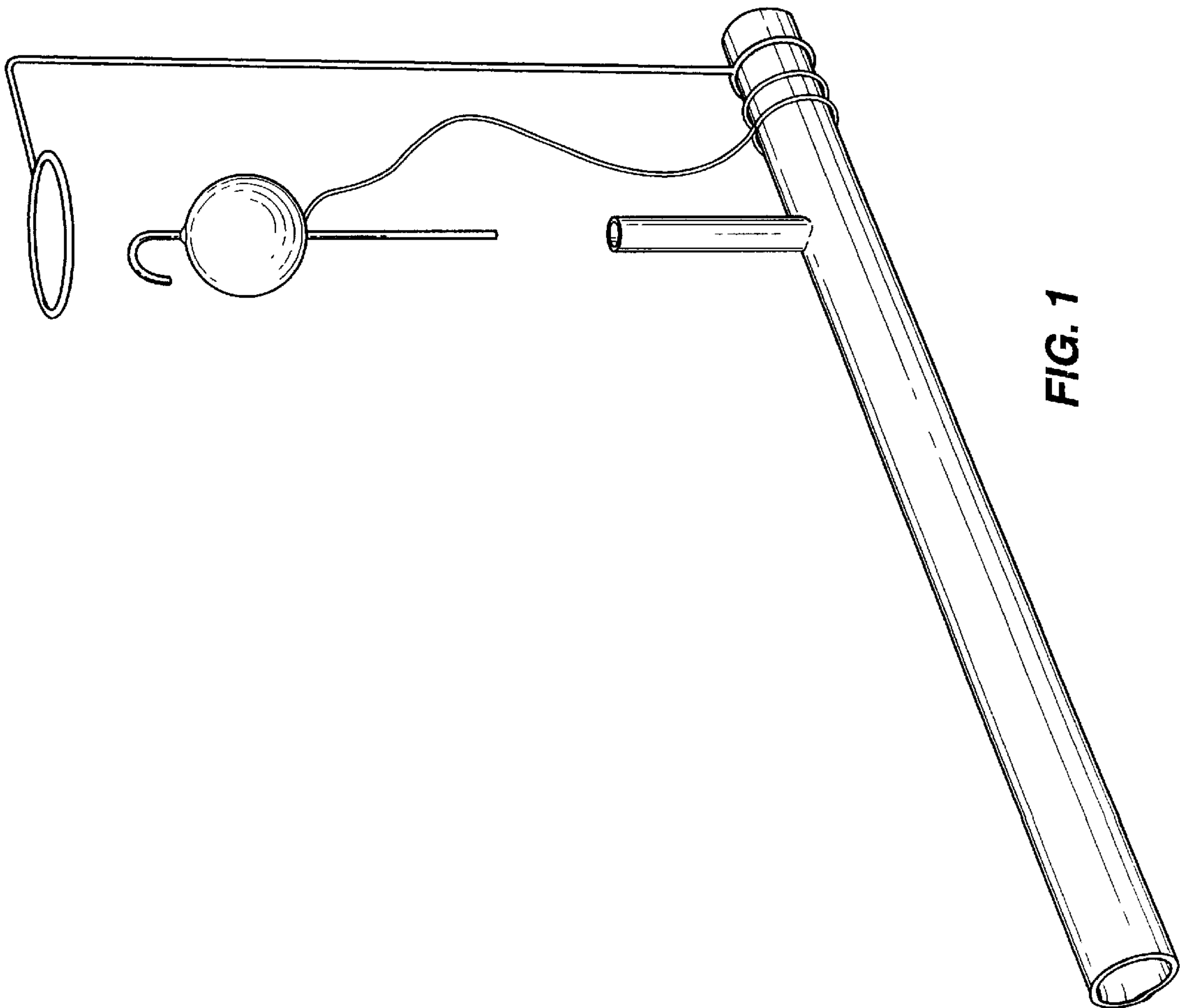


FIG. 1

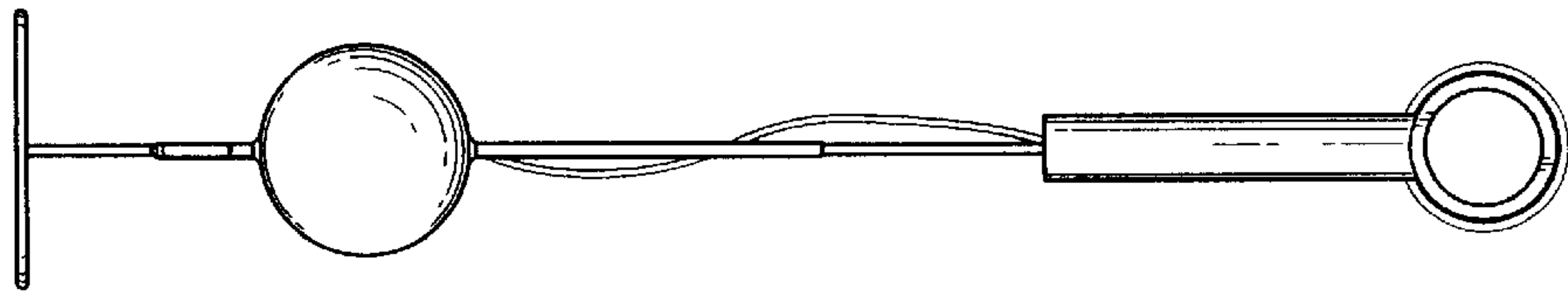


FIG. 2

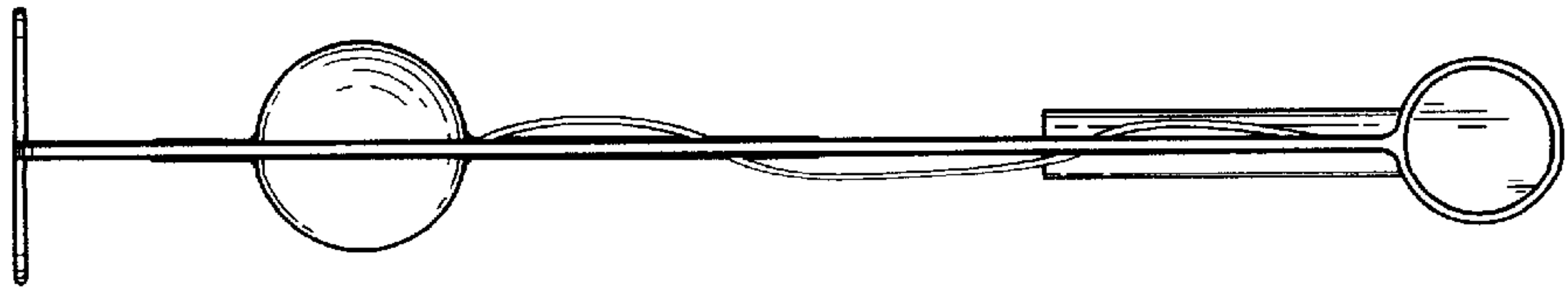


FIG. 3

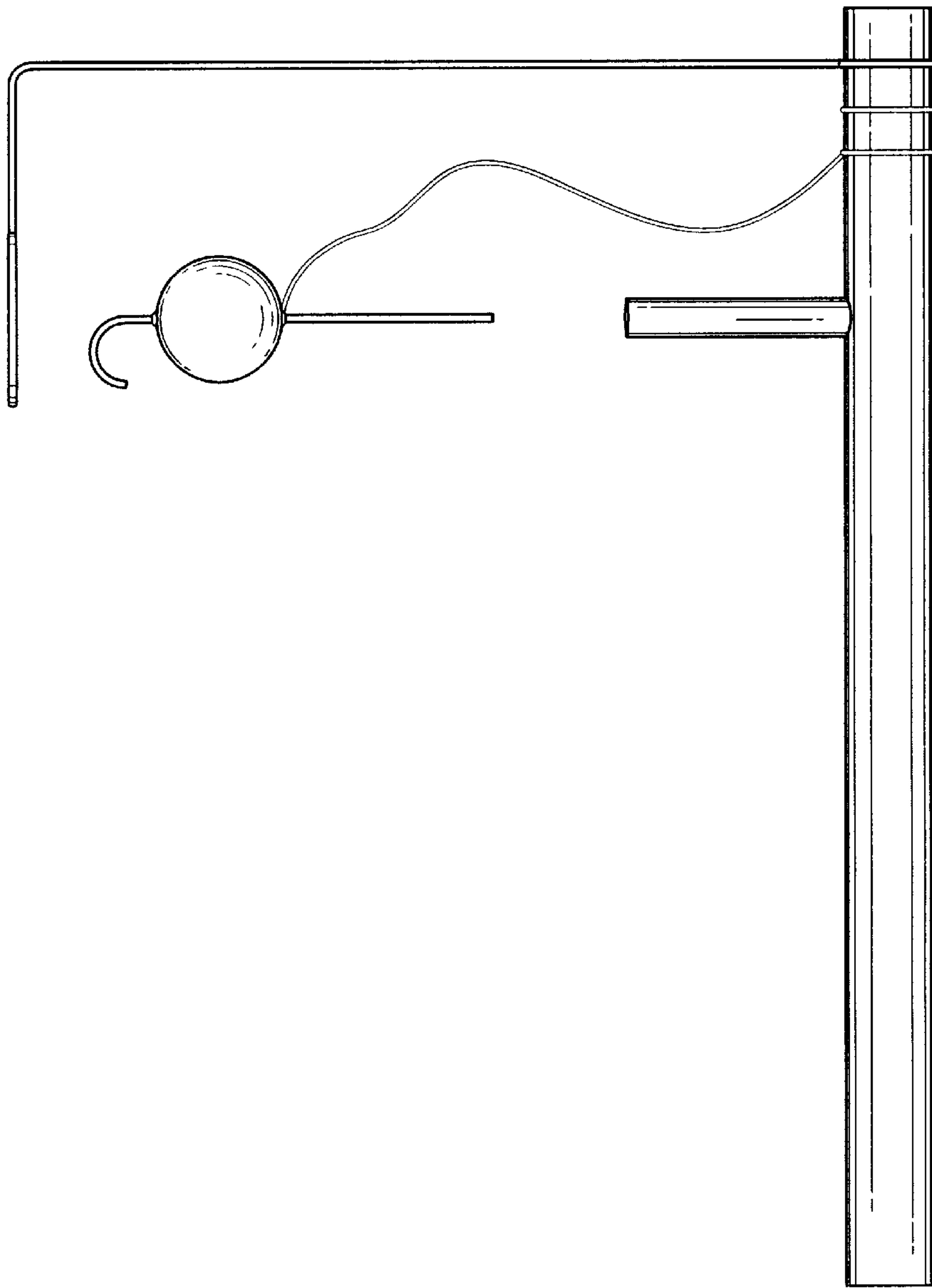


FIG. 4

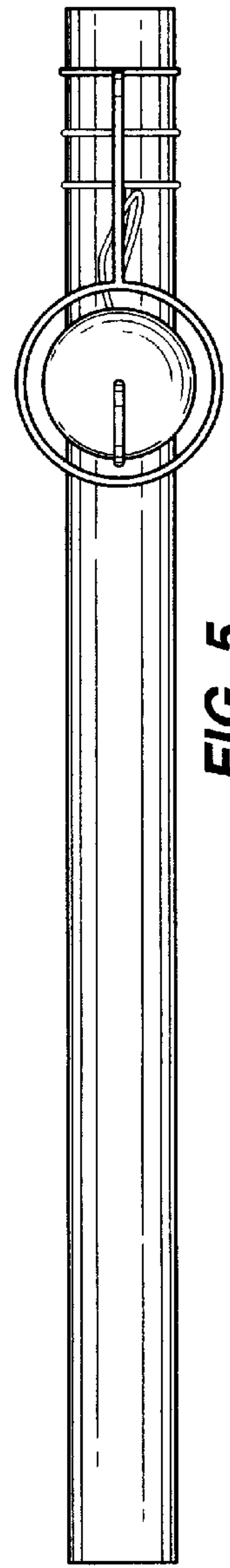


FIG. 5