



US00D421630S

United States Patent [19] Hyde

[11] **Patent Number: Des. 421,630**
[45] **Date of Patent: ** Mar. 14, 2000**

[54] **COMBINED TEA CUP HOLDER AND CARD PIC**

[75] Inventor: **Paula Elizabeth Hyde**, Sudbury, Mass.

[73] Assignee: **Florists' Transworld Delivery, Inc.**,
Downers Grove, Ill.

[**] Term: **14 Years**

[21] Appl. No.: **29/078,008**

[22] Filed: **Oct. 15, 1997**

[51] **LOC (6) Cl.** **19-08**

[52] **U.S. Cl.** **D20/22**

[58] **Field of Search** D20/22, 20; 73/427;
D8/1; 40/607, 645, 606

[56] **References Cited**

U.S. PATENT DOCUMENTS

- D. 126,561 4/1941 Tenney .
- D. 243,548 3/1977 Shippee .
- D. 276,983 1/1985 Falco .
- 551,578 12/1895 Chapman .

- 649,697 5/1900 Klokner .
- 1,369,315 2/1921 Ankers .
- 1,763,130 6/1930 Cartwright .
- 1,808,292 6/1931 Coppersmith 40/645
- 2,563,159 8/1951 Clark .
- 2,807,897 10/1957 Reynolds 40/645
- 3,057,093 10/1962 Gallo 40/645
- 4,393,622 7/1983 Gallo, Sr. .
- 5,044,200 9/1991 Dailey et al. .

Primary Examiner—Holly Baynham
Attorney, Agent, or Firm—Bruce A. Tassan

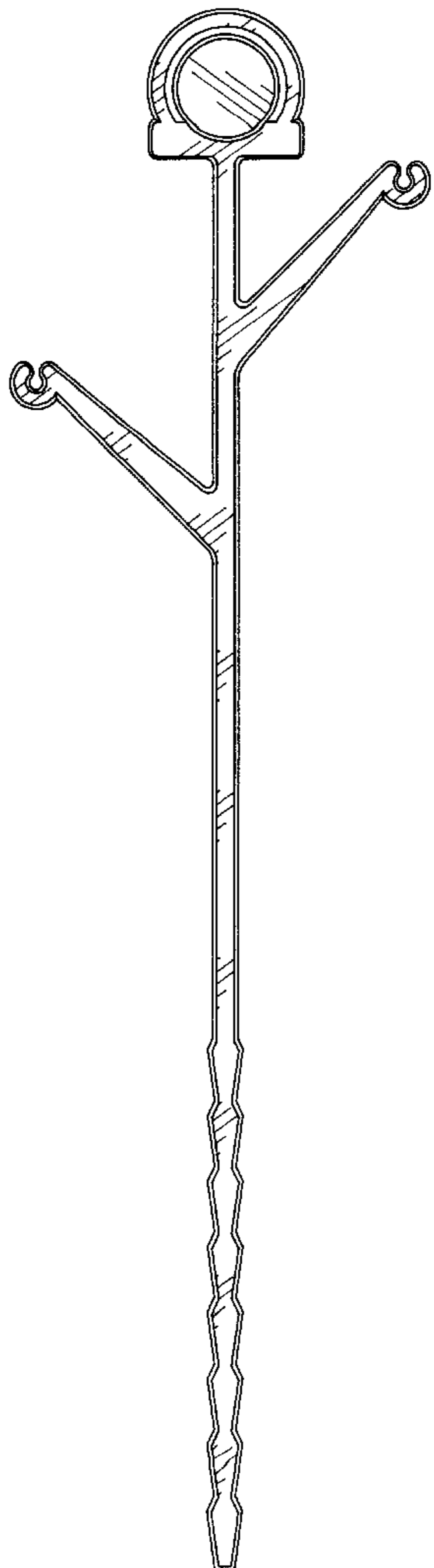
[57] **CLAIM**

The ornamental design for a combined tea cup holder and card pic, as shown and described.

DESCRIPTION

FIG. 1 is a front elevational view of a combined tea cup holder and card pic showing my new design.
FIG. 2 is a back elevational view thereof.
FIG. 3 is a left side elevational view thereof; and,
FIG. 4 is a right side elevational view thereof.

1 Claim, 3 Drawing Sheets



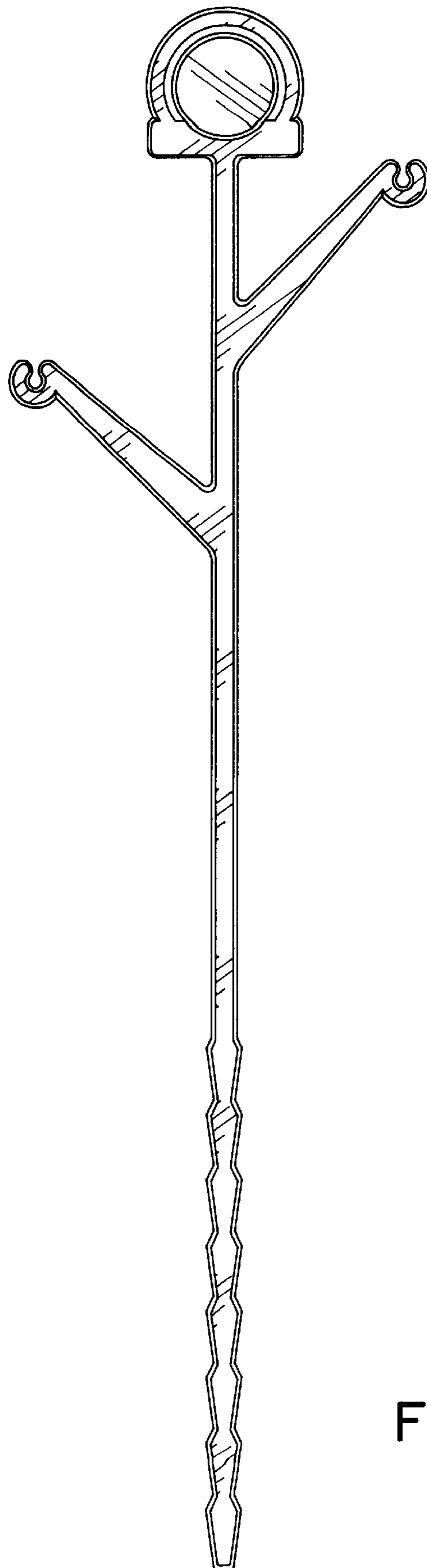


FIG. 1

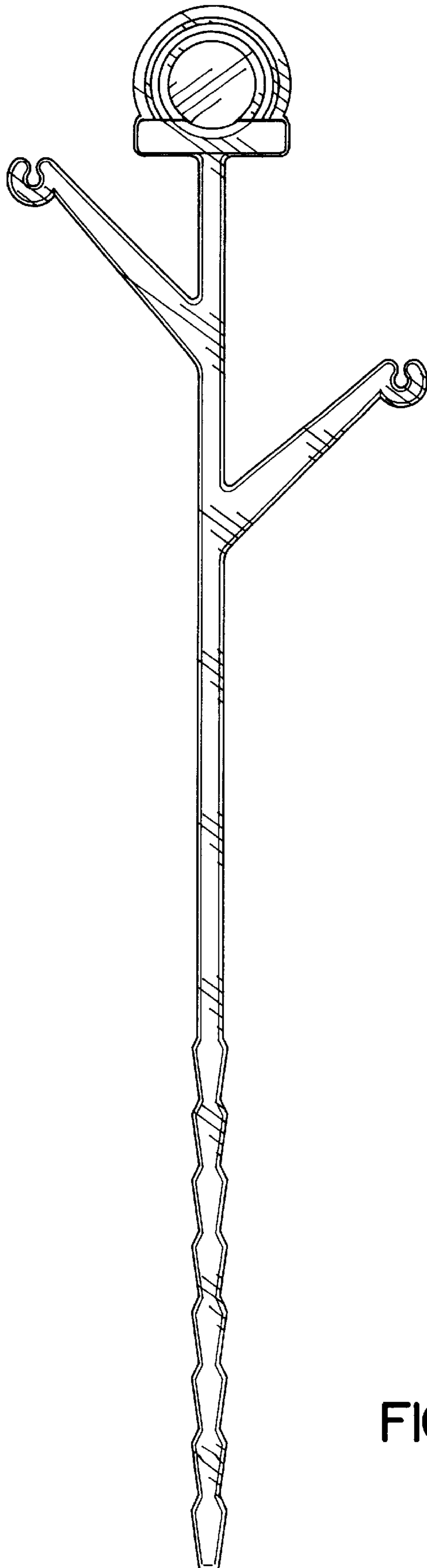


FIG. 2



FIG. 3



FIG. 4