



US00D421626S

United States Patent [19]
Brock

[11] **Patent Number: Des. 421,626**
[45] **Date of Patent: ** Mar. 14, 2000**

[54] **MARKER HANDLE PAD**

[75] **Inventor: Tanya W. Brock**, 1416 Hungary Rd.,
Richmond, Va. 23228

[73] **Assignee: Tanya W. Brock**, Richmond, Va.

[**] **Term: 14 Years**

[21] **Appl. No.: 29/085,439**

[22] **Filed: Mar. 19, 1998**

[51] **LOC (6) Cl. 19-06**

[52] **U.S. Cl. D19/55; D19/48; D19/54**

[58] **Field of Search D19/35, 36, 41-51,
D19/53-58, 81-85; D21/722-732, 756;
401/6, 7, 88, 65, 93, 54; 473/538, 549**

[56] **References Cited**

U.S. PATENT DOCUMENTS

H1050	5/1992	Petrillo	401/6
D. 271,510	11/1983	Gormley	D21/731
D. 291,626	9/1987	Collins .	
D. 310,249	8/1990	LaLonde .	
D. 325,932	5/1992	Redfern .	
D. 341,293	11/1993	Guo .	
D. 401,735	12/1998	Rom	D1/101

859,666	7/1907	Kampfe	401/54 X
1,182,246	5/1916	Bridges	401/6 X
1,704,772	3/1929	Spikins	401/93
4,056,325	11/1977	Maruyama	401/65
4,098,506	7/1978	Gaiser	473/538
4,284,275	8/1981	Fletcher	473/549
4,601,598	7/1986	Schwartz et al.	401/6
5,056,945	10/1991	Klodt .	
5,069,452	12/1991	Chen	473/549
5,354,140	10/1994	Diakoulas .	

Primary Examiner—Martie K. Holtje
Attorney, Agent, or Firm—Millen, White, Zelano & Branigan, P.C.

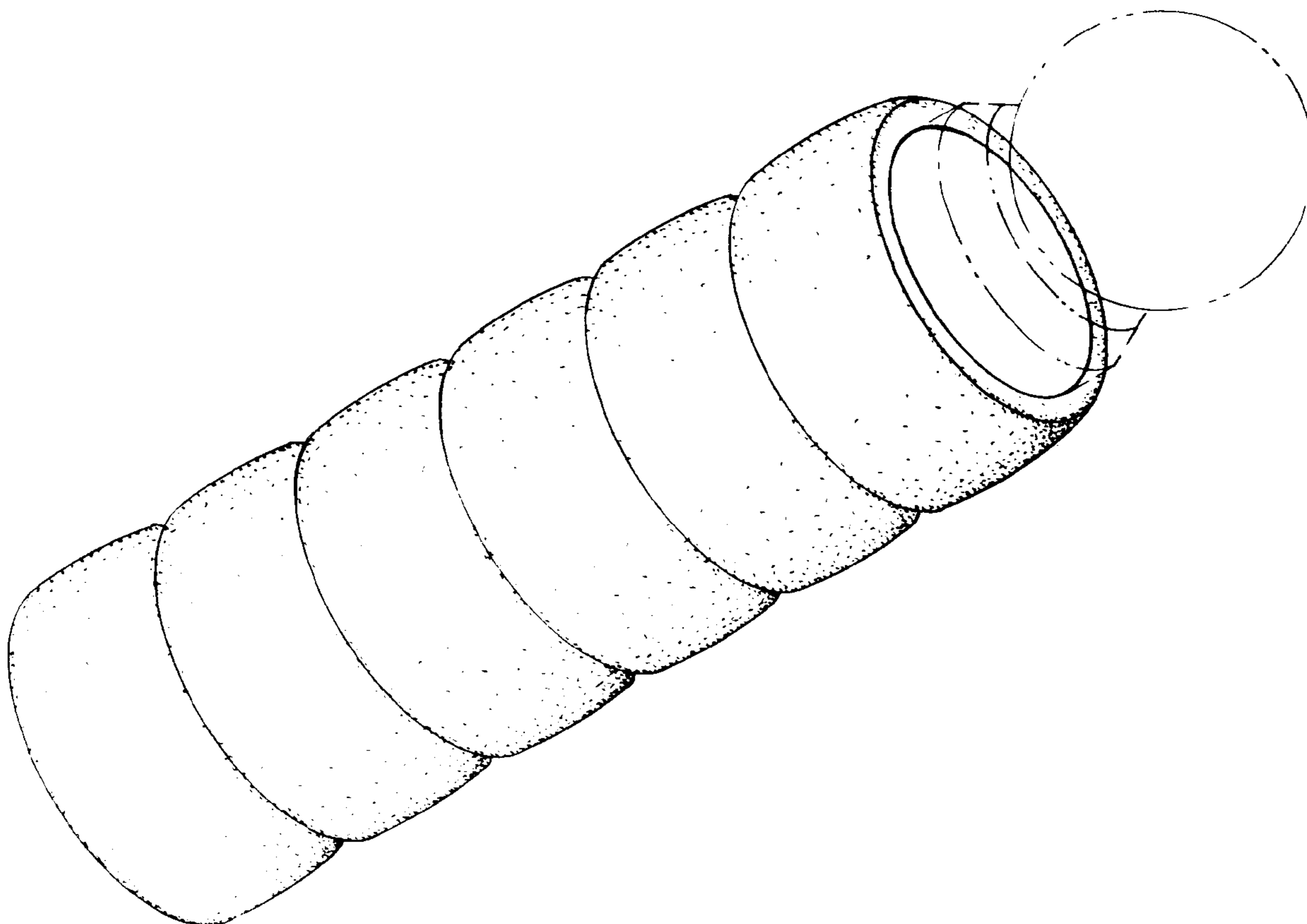
[57] **CLAIM**

The ornamental design for a marker handle pad, as shown and described.

DESCRIPTION

FIG. 1 is a side elevation view of a marker handle pad displaying the new design;
FIG. 2 is a top elevation view thereof; and,
FIG. 3 is a perspective view thereof with a marker shown in broken lines for illustrative purposes only and forms no part of the claimed design.

1 Claim, 1 Drawing Sheet



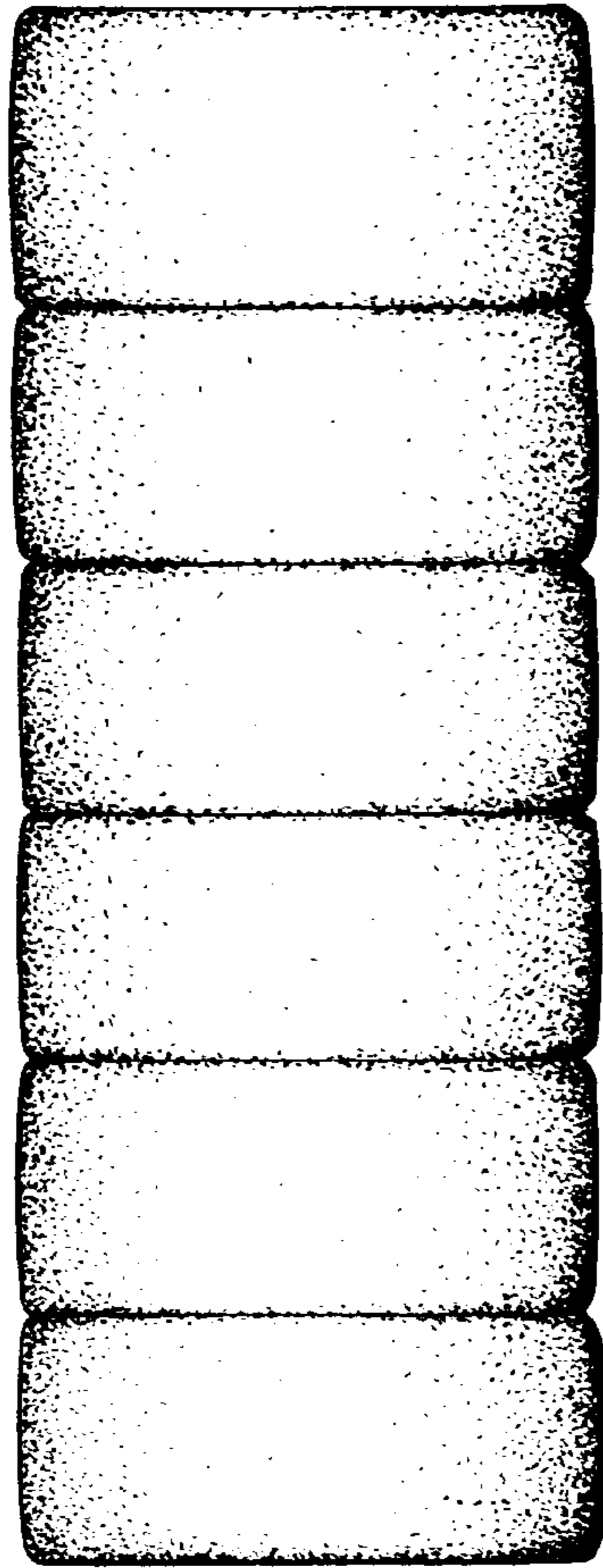


FIG. 1

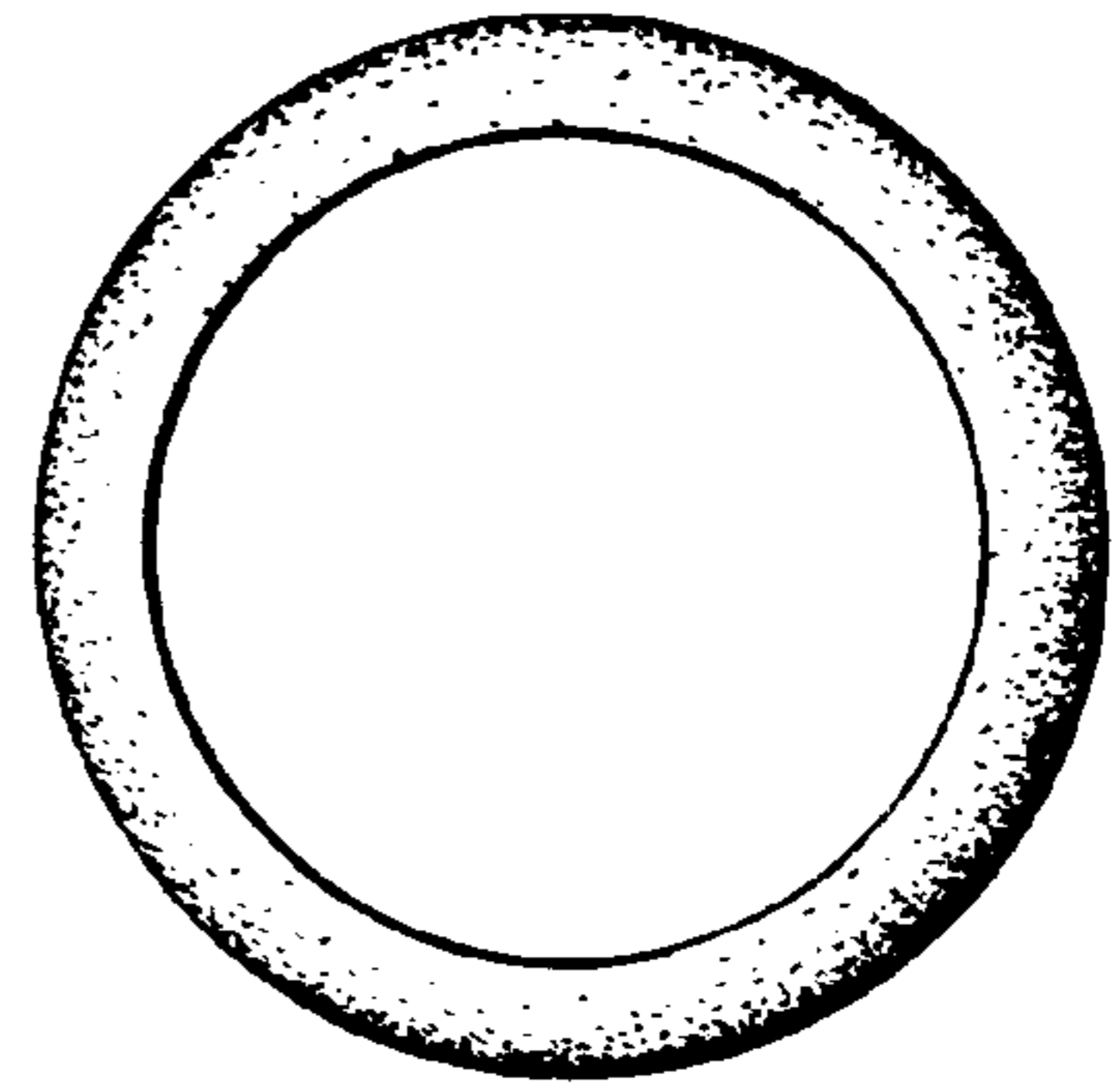


FIG. 2

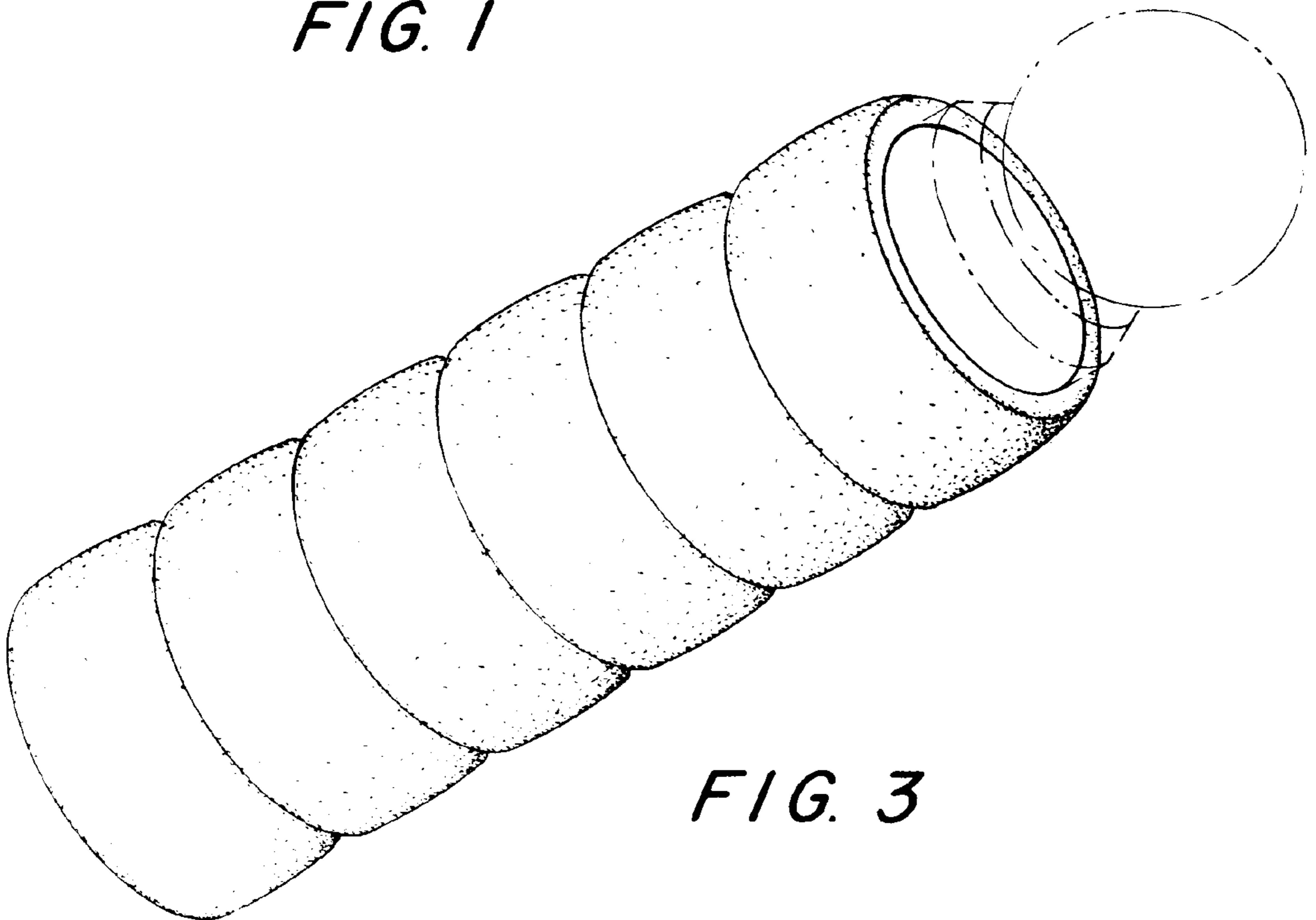


FIG. 3