



US00D421625S

United States Patent [19]
Oka

[11] **Patent Number: Des. 421,625**

[45] **Date of Patent: ** Mar. 14, 2000**

[54] **BALL POINT PEN**

[75] Inventor: **Shigeo Oka**, Tokyo, Japan

[73] Assignee: **Pentel Kabushiki Kaisha**, Japan

[**] Term: **14 Years**

[21] Appl. No.: **29/102,007**

[22] Filed: **Mar. 16, 1999**

[30] **Foreign Application Priority Data**

Nov. 10, 1998 [JP] Japan 10-32399

[51] **LOC (6) Cl.** **19-06**

[52] **U.S. Cl.** **D19/49; D19/51; D19/43; D19/55; D19/57**

[58] **Field of Search** D19/35, 36, 41-51, D19/53, 54, 55-58, 81-85; 401/6, 7, 88, 209, 243-247, 196, 202, 262

[56] **References Cited**

U.S. PATENT DOCUMENTS

- D. 351,417 10/1994 Oka D19/57
- D. 353,397 12/1994 Banik D19/43 X
- D. 359,757 6/1995 Inami et al. D19/51

- D. 363,308 10/1995 Sekine D19/48
- D. 378,761 4/1997 Sekine D19/48
- D. 404,426 1/1999 Takanashi D19/43
- D. 404,427 1/1999 Takanashi D19/48
- D. 410,952 6/1999 Hadtke et al. D19/47

Primary Examiner—Martie K. Holtje
Attorney, Agent, or Firm—Adams & Wilks

[57] **CLAIM**

The ornamental design for a ball point pen, as shown and described.

DESCRIPTION

FIG. 1 is a perspective view of the ball point pen; FIG. 2 is a left side view of the ball point pen; FIG. 3 is a front view of the ball point pen; FIG. 4 is a rear view of the ball point pen; FIG. 5 is a top plan view of the ball point pen; FIG. 6 is a bottom view of the ball point pen; FIG. 7 is an explanatory front view of the ball point pen in use, showing a writing tip projecting from a ferrule of the pen. FIG. 8 is a sectional view taken along line 8—8 in FIG. 3; and, FIG. 9 is a sectional view taken along line 9—9 in FIG. 3.

1 Claim, 2 Drawing Sheets

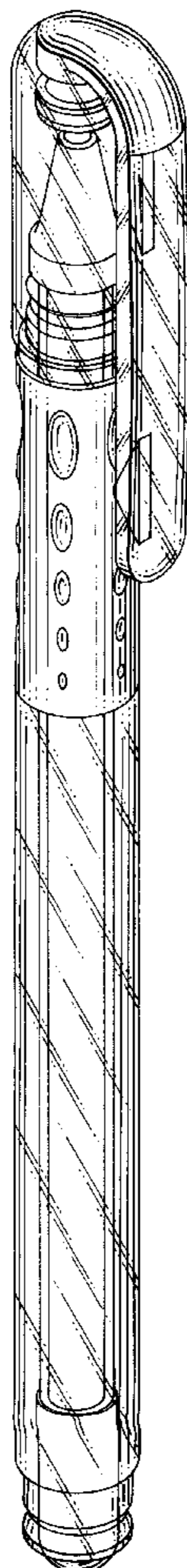


FIG. 1

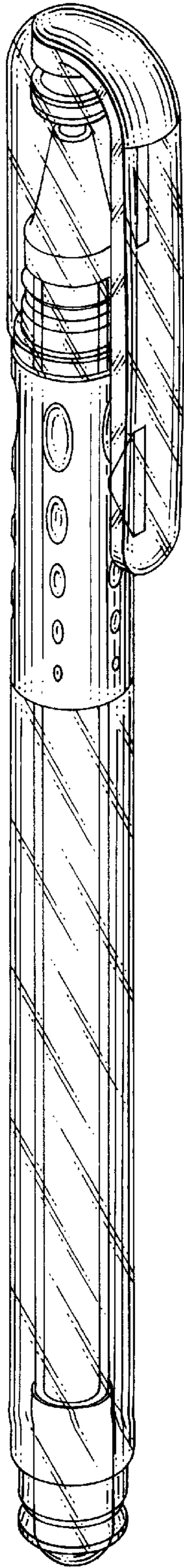


FIG. 2

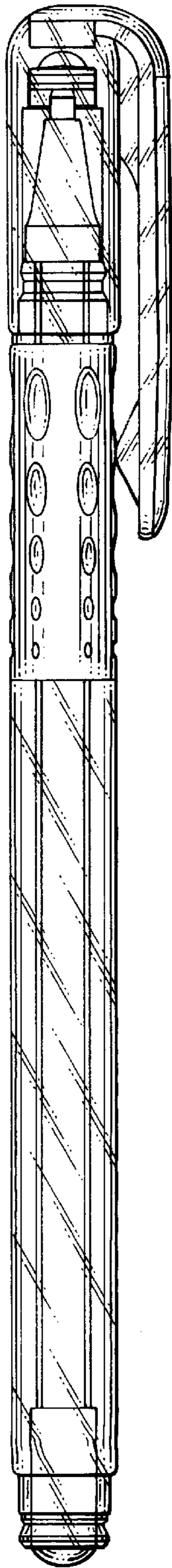


FIG. 3

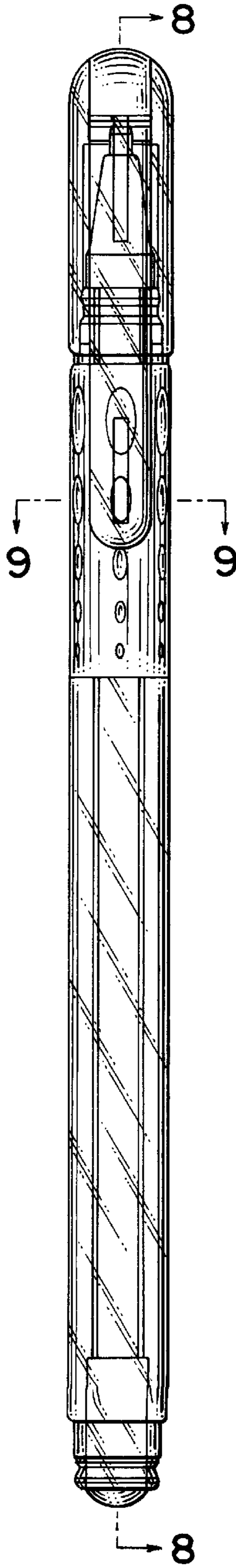


FIG. 4

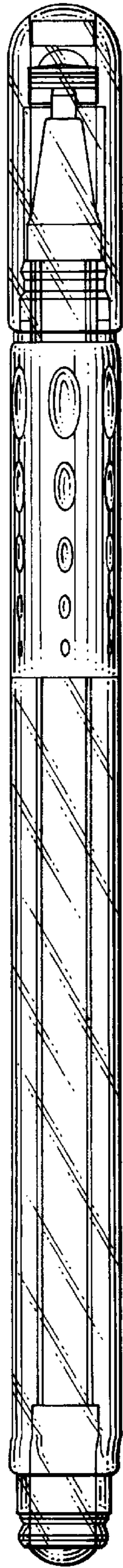


FIG. 5

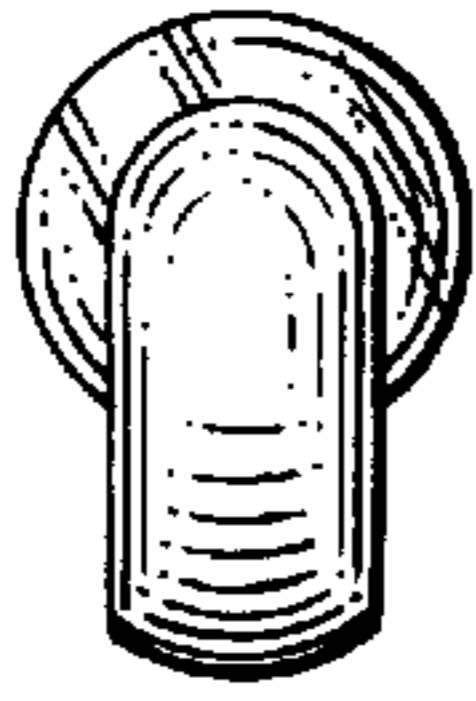


FIG. 6

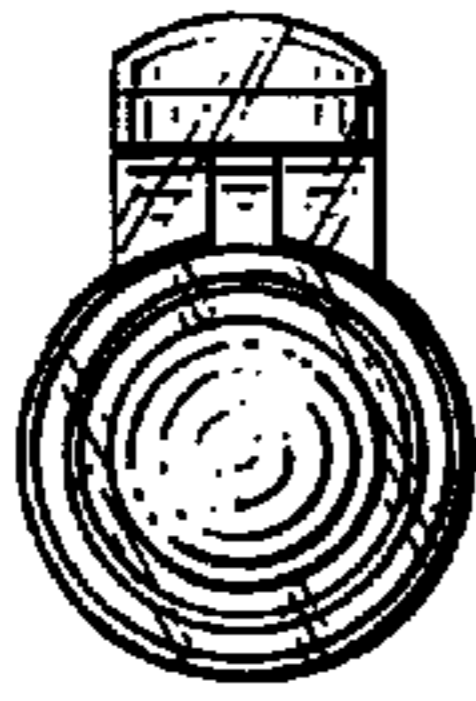


FIG. 9

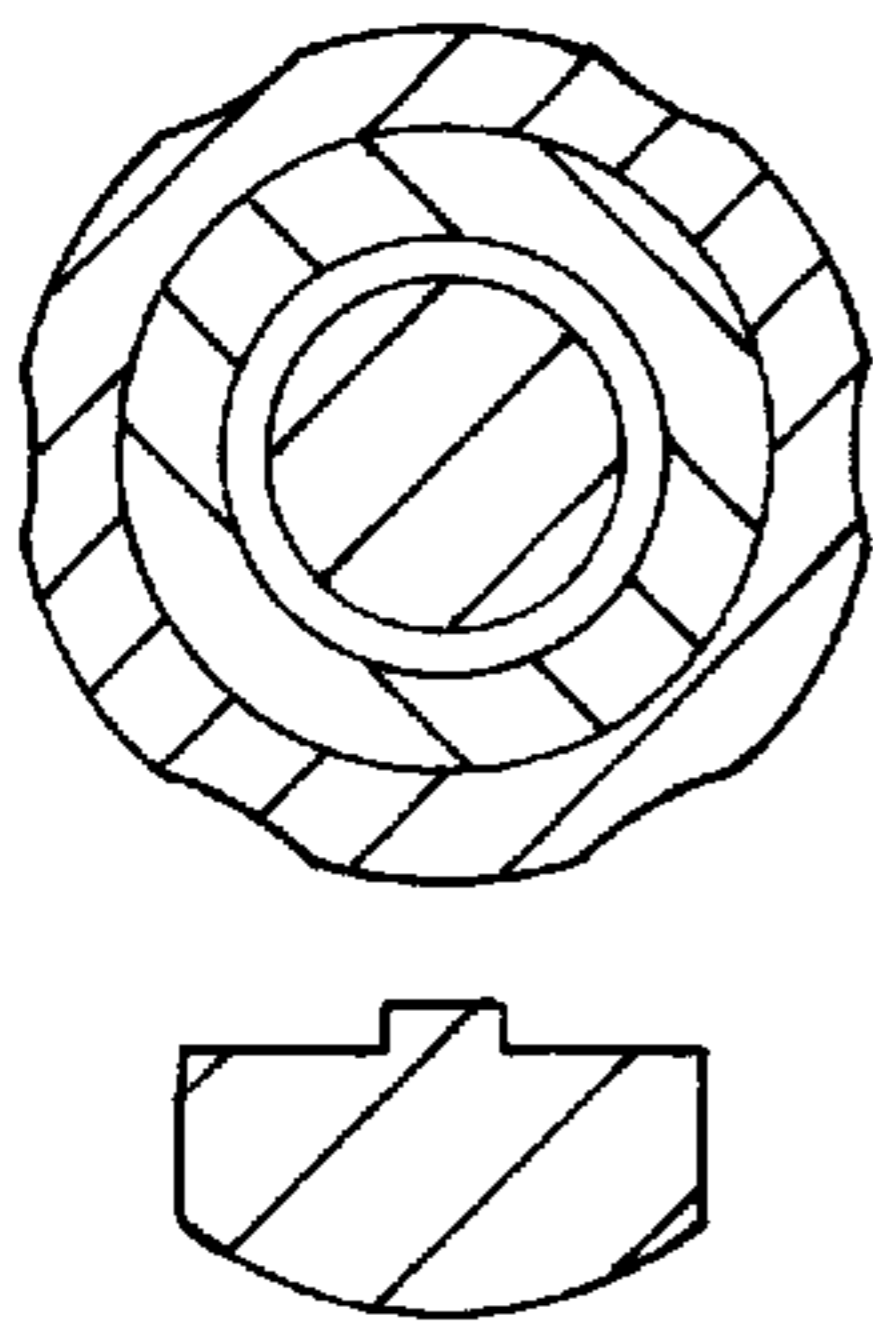


FIG. 7

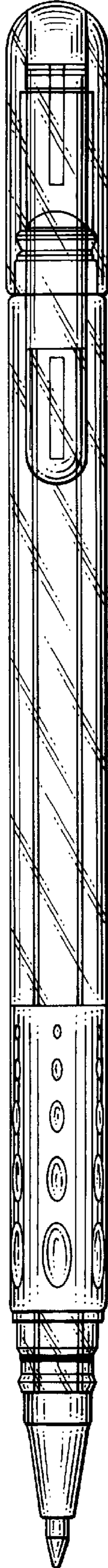


FIG. 8

