



US00D421622S

United States Patent [19]

Khovaylo et al.

[11] Patent Number: Des. 421,622

[45] Date of Patent: ** Mar. 14, 2000

[54] AUTOMATIC DOCUMENT FEEDER

[75] Inventors: Modest Khovaylo; James C. Dow, both of Fort Collins, Colo.

[73] Assignee: Hewlett-Packard Company, Palo Alto, Calif.

[**] Term: 14 Years

[21] Appl. No.: 29/077,469

[22] Filed: Oct. 6, 1997

[51] LOC (6) Cl. 18-99

[52] U.S. Cl. D18/49

[58] Field of Search D18/36-40, 46-49; 226/74; 271/2.1, 3, 8.1, 9, 10; 400/624-629, 636, 642, 636.2, 646, 647, 647.1, 689-694; 399/361, 363, 365, 367

[56] References Cited

U.S. PATENT DOCUMENTS

D. 357,273 4/1995 Hocking D18/49

Primary Examiner—Caron D. Veynar

[57] CLAIM

The ornamental design for an automatic document feeder, as shown and described.

DESCRIPTION

FIG. 1 is a perspective view of an automatic document feeder showing our new design, shown mounted on an optical scanner (shown in phantom) which forms no part of the claimed design;

FIG. 2 is a top plan view of the automatic document feeder of FIG. 1;

FIG. 3 is a top plan view thereof, with a portion of the top panel cut away to show the contour of the middle portion thereof;

FIG. 4 is a front elevational view thereof;

FIG. 5 is a rear elevational view thereof;

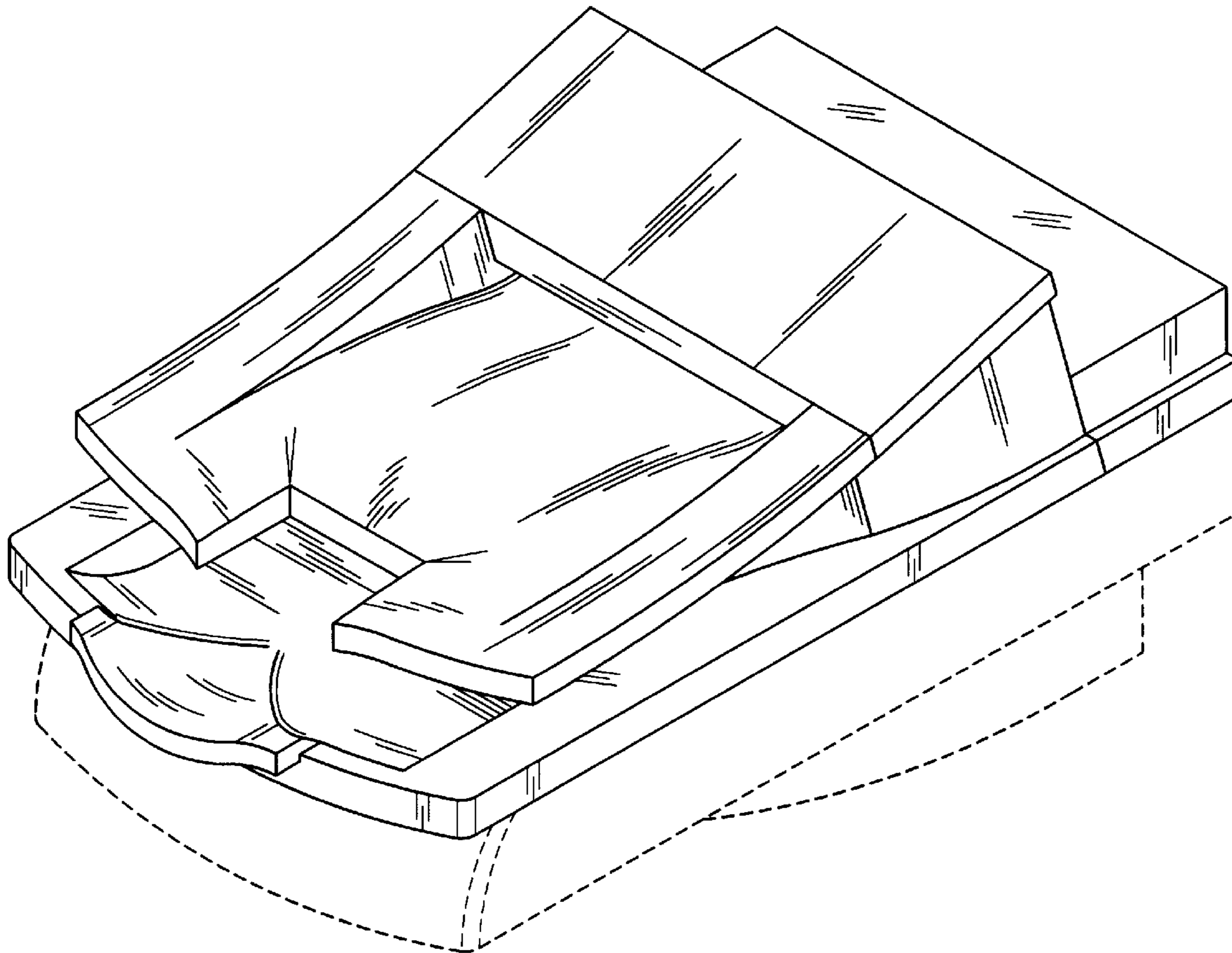
FIG. 6 is a left side elevational view thereof;

FIG. 7 is a left side elevational view with a portion of the left side cut away to show the contour of the middle portion thereof; and,

FIG. 8 is a right side elevational view thereof.

The bottom of the automatic document feeder of FIGS. 1-8 forms no part of the claimed design.

1 Claim, 5 Drawing Sheets



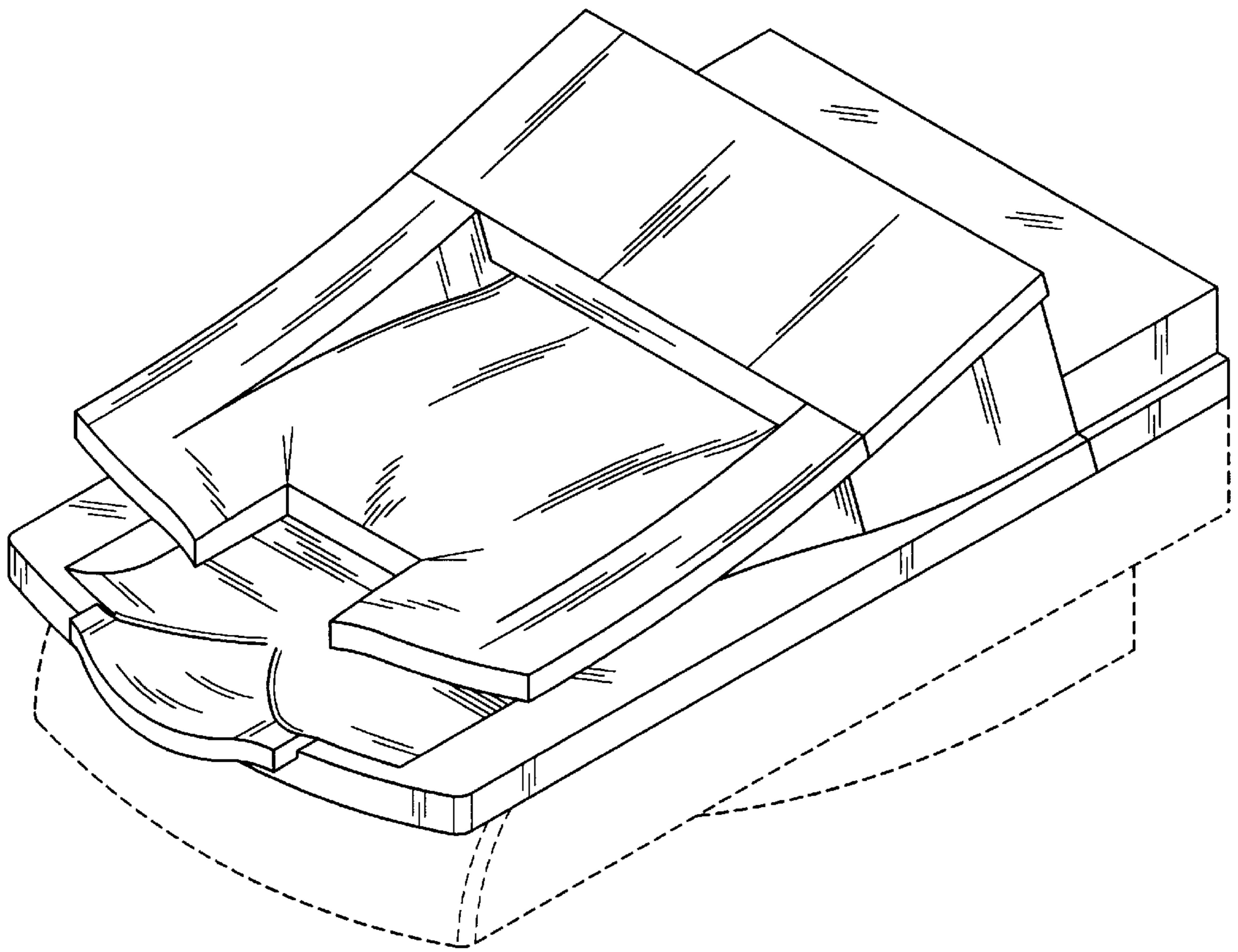


FIG. 1

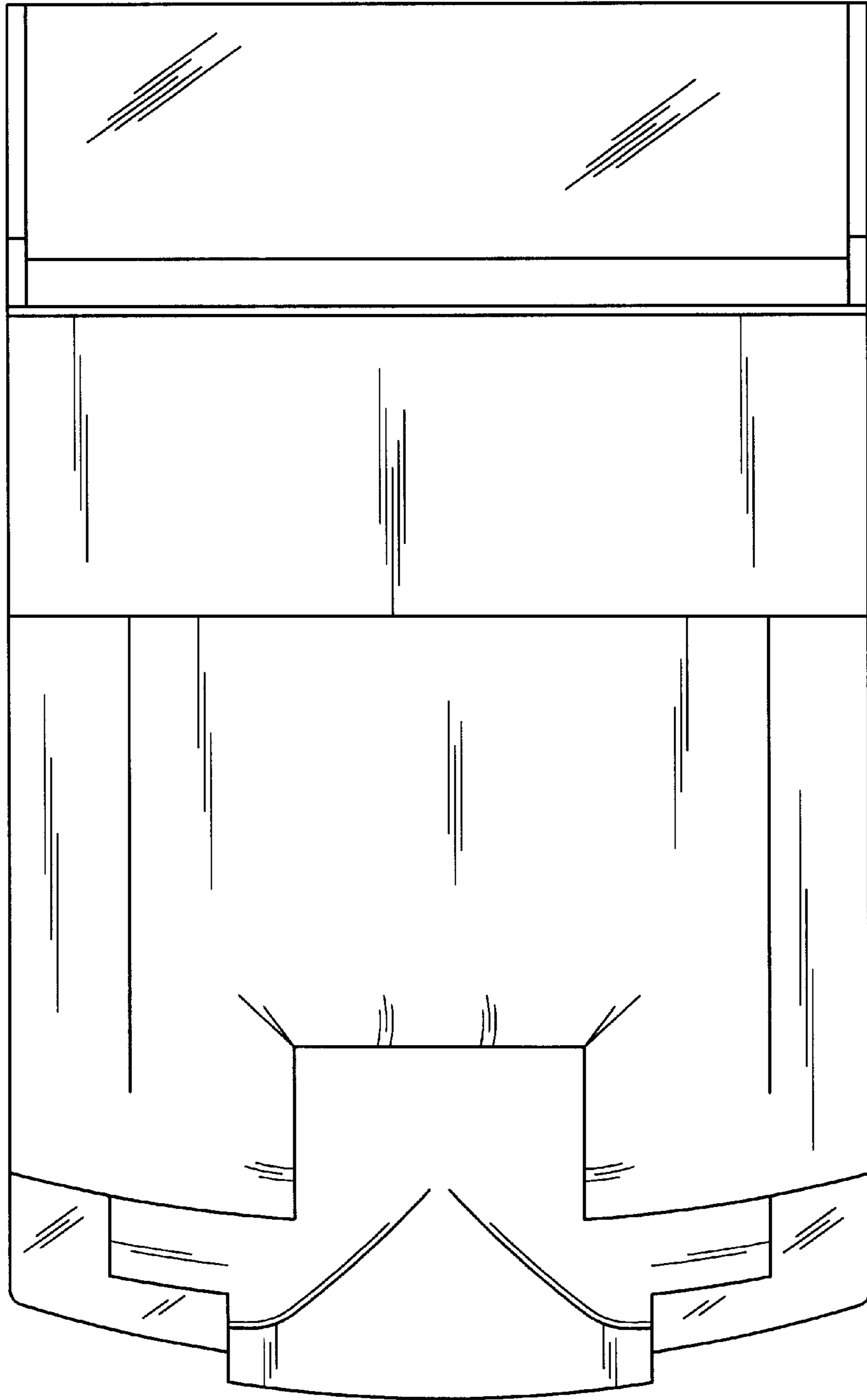


FIG. 2

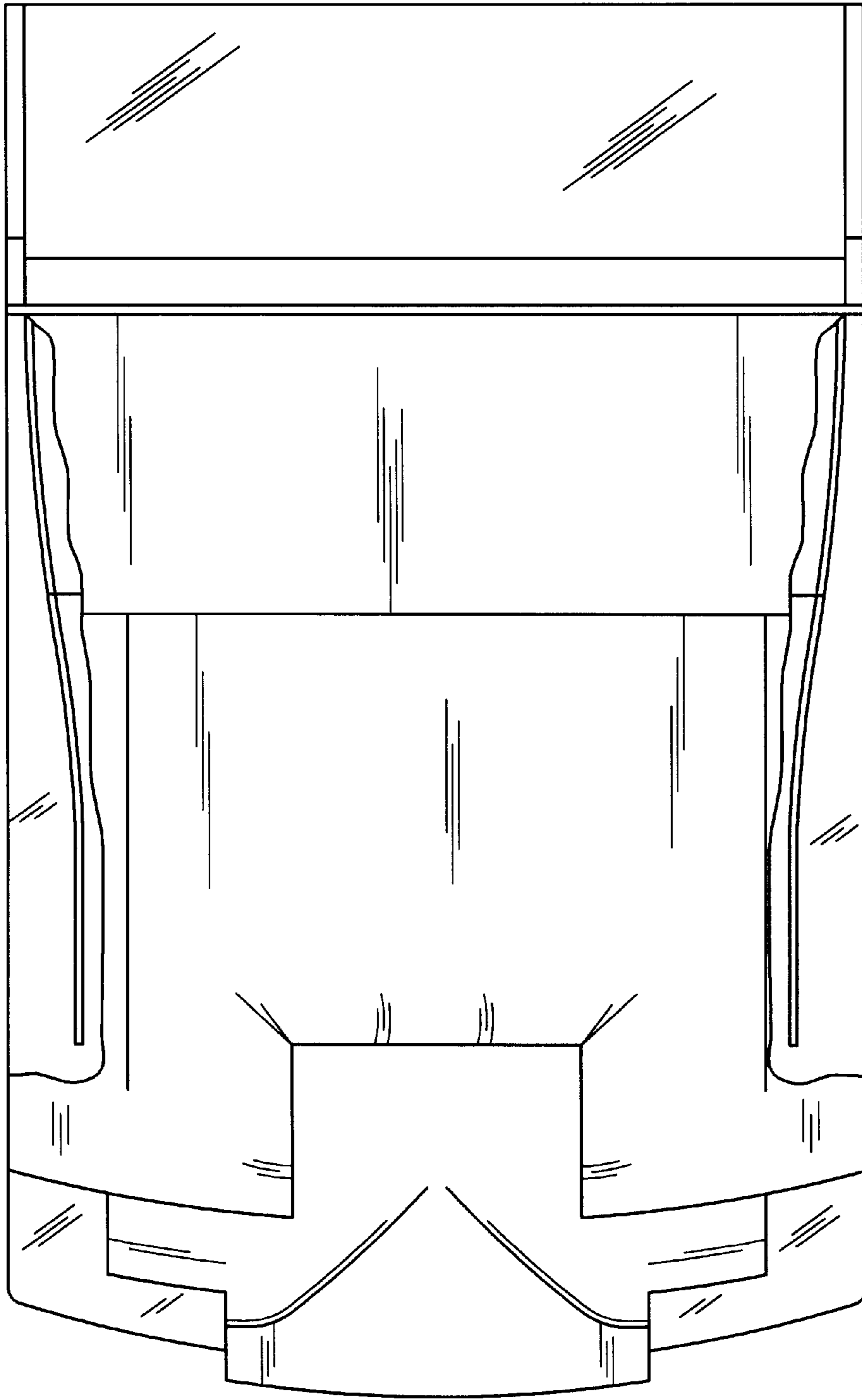


FIG. 3

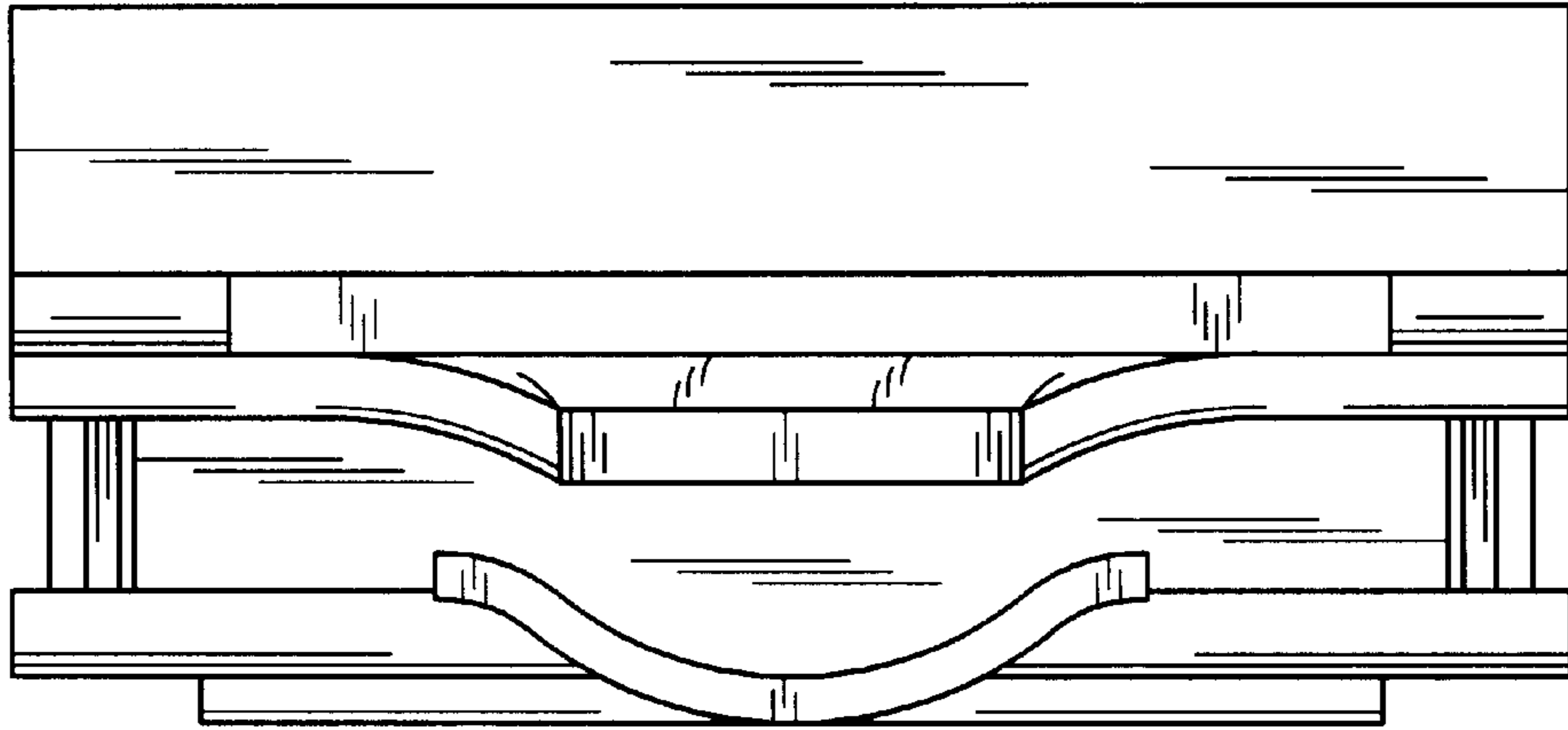


FIG. 4

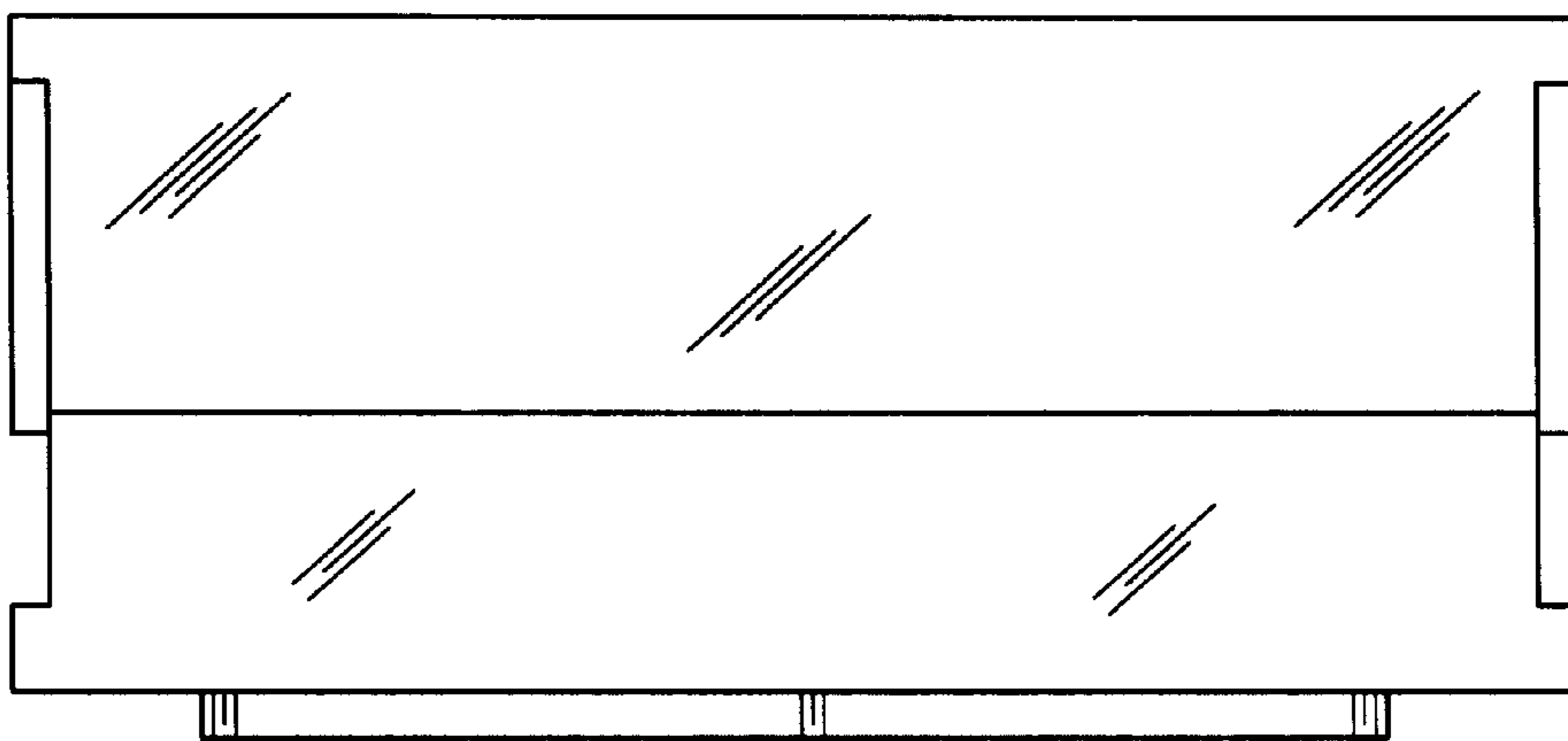


FIG. 5

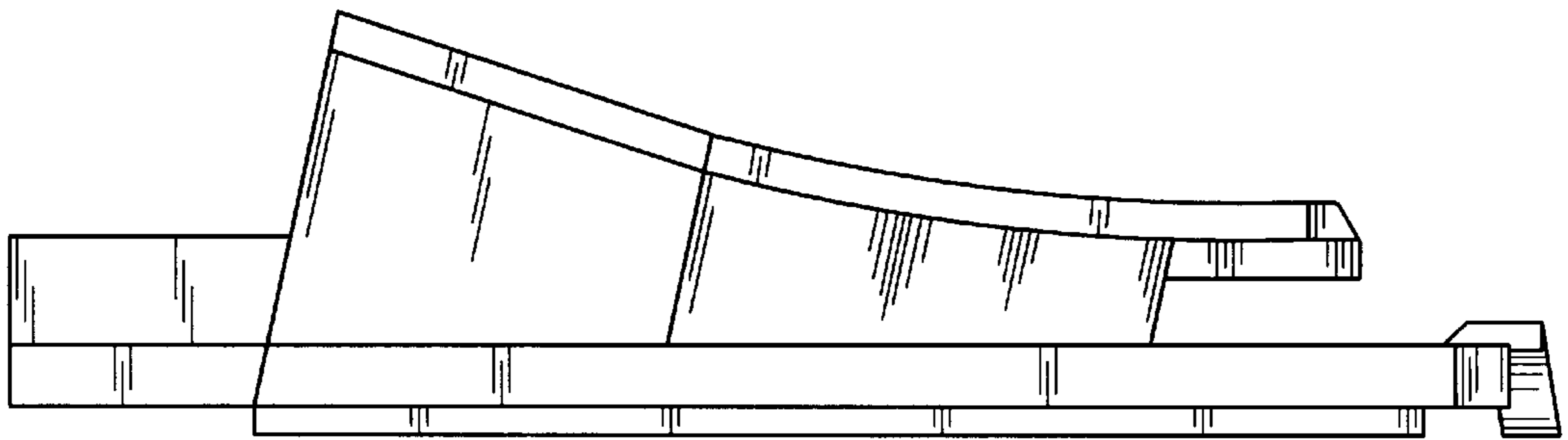


FIG. 6

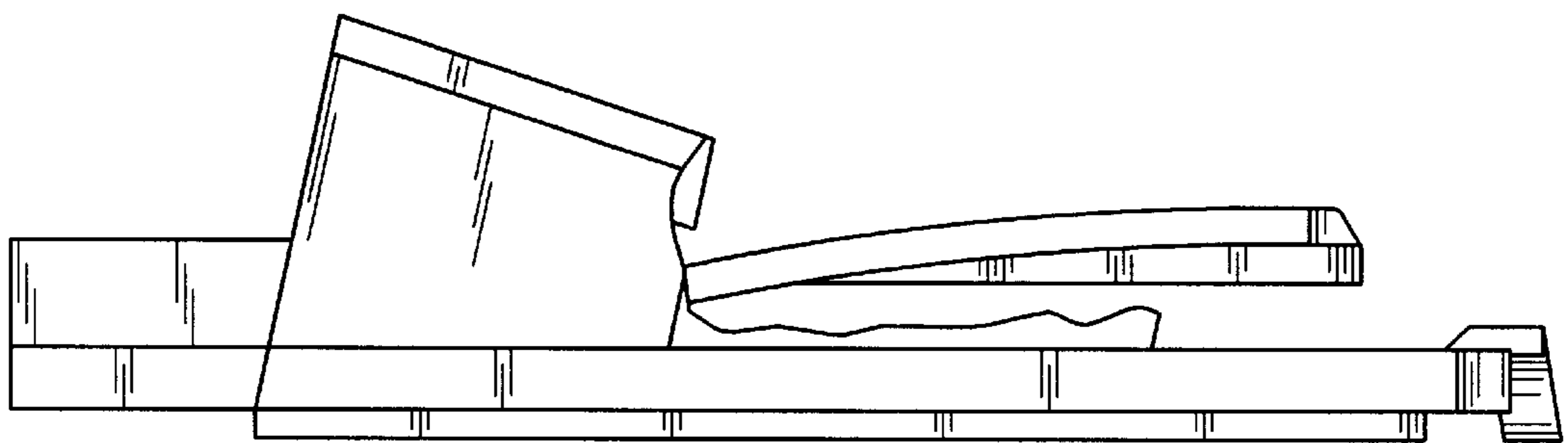


FIG. 7

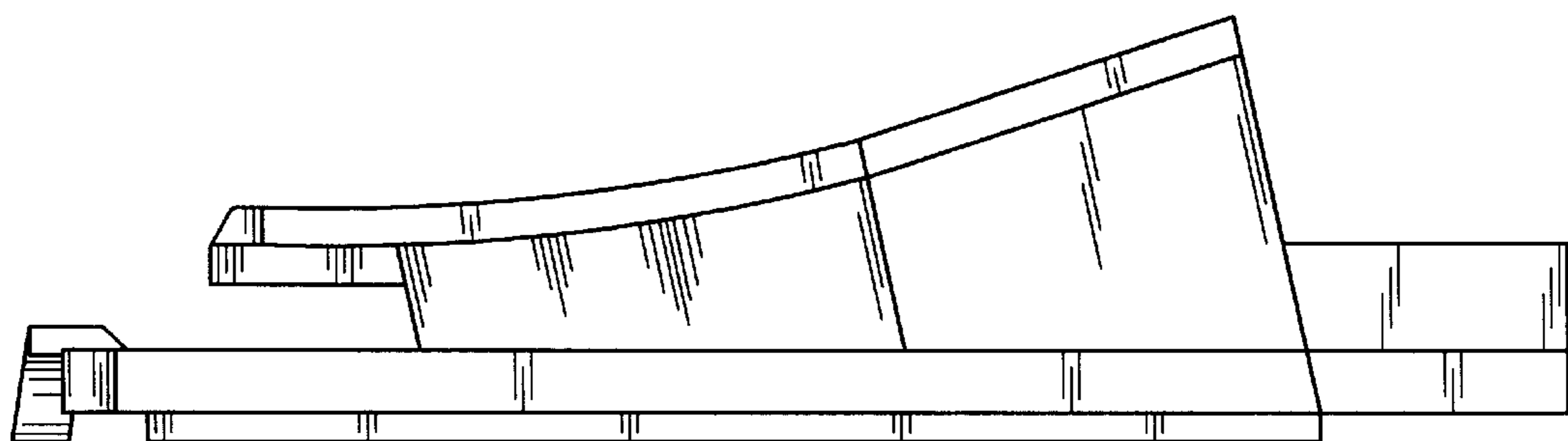


FIG. 8