



US00D421619S

United States Patent [19]

Eto et al.

[11] Patent Number: **Des. 421,619**

[45] Date of Patent: **** Mar. 14, 2000**

[54] **COMBINED CAMERA AND LENS**

[75] Inventors: **Taro Eto**, Nagoya; **Masatoki Suto**, Hannan, both of Japan

[73] Assignee: **Minolta Co., Ltd.**, Osaka, Japan

[**] Term: **14 Years**

[21] Appl. No.: **29/075,534**

[22] Filed: **Sep. 2, 1997**

[51] **LOC (6) Cl.** **16-01**

[52] **U.S. Cl.** **D16/208; D16/218**

[58] **Field of Search** **D16/200-205, D16/208, 209, 216-218; 348/373-376; 358/906, 909.1; 396/535-543**

[56] **References Cited**

U.S. PATENT DOCUMENTS

D. 384,088	9/1997	Isozaki et al.	D16/202
D. 387,078	12/1997	Akita	D16/202
D. 391,280	2/1998	Miki et al.	D16/202
D. 396,482	7/1998	Yamanouchi	D16/202
4,456,931	6/1984	Toyoda et al.	358/906
5,134,660	7/1992	Larose	358/906

OTHER PUBLICATIONS

Pp. 2, 3, and 4 from 1997 Japan Camera Show, showing Sharp's LCD Digital ViewCam VL-DX1, VL-DXC2, and VL-DH4000; and Panasonic's Elegance DigiCam.

Copy of Front and Back Cover, pp. 2, 13, 14 and 16 from Hitachi's Camcorder Brochure.

Complete Guide to Digital Camera, Feb. 1, 1997, pp. 042, 056, 057, 068.

Casio's Catalog, Apr. 1997.

Primary Examiner—Adir Aronovich

Attorney, Agent, or Firm—McDermott, Will & Emery

[57] **CLAIM**

The ornamental design for a combined camera and lens, shown and described.

DESCRIPTION

FIG. 1 is a front and right side perspective view of a combined camera and lens showing our new design;

FIG. 2 is a front elevational view thereof;

FIG. 3 is a rear elevational view thereof;

FIG. 4 is a top plan view thereof;

FIG. 5 is a bottom plan view thereof;

FIG. 6 is a left side elevational view thereof; and,

FIG. 7 is a right side elevational view thereof;

FIG. 8 is a front and right side perspective view of a combined camera and lens shown with the broken lines removed for clarity of illustration.

FIG. 9 is a front view of FIG. 8;

FIG. 10 is a rear elevational view of FIG. 8;

FIG. 11 is a top plan view of FIG. 8;

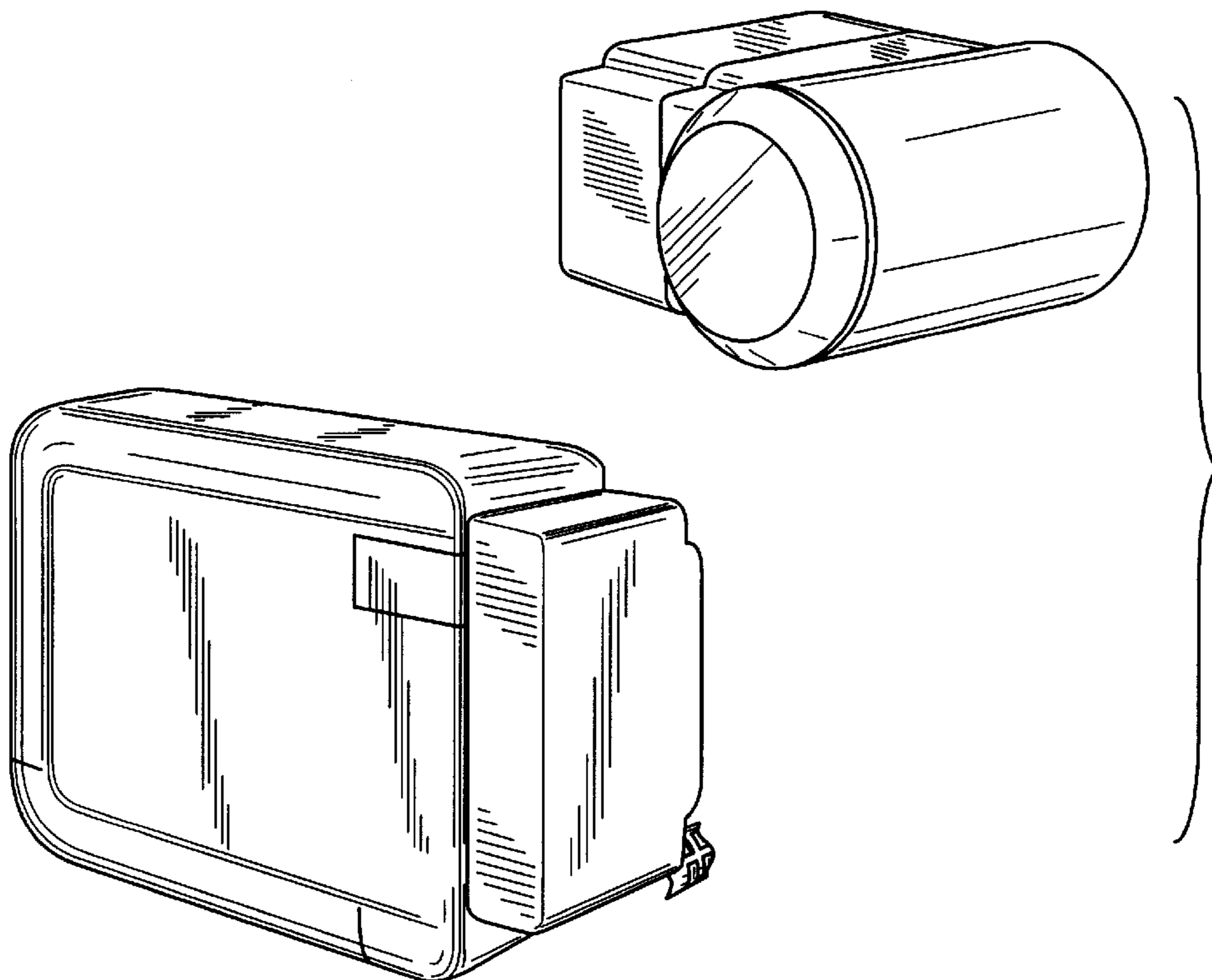
FIG. 12 is a bottom plan view of FIG. 8;

FIG. 13 is a left side elevational view of FIG. 8; and,

FIG. 14 is a right side elevational view of FIG. 8.

The broken lines shown in FIGS. 1-7 are to illustrate the environment only and form no part of the claimed design.

1 Claim, 8 Drawing Sheets



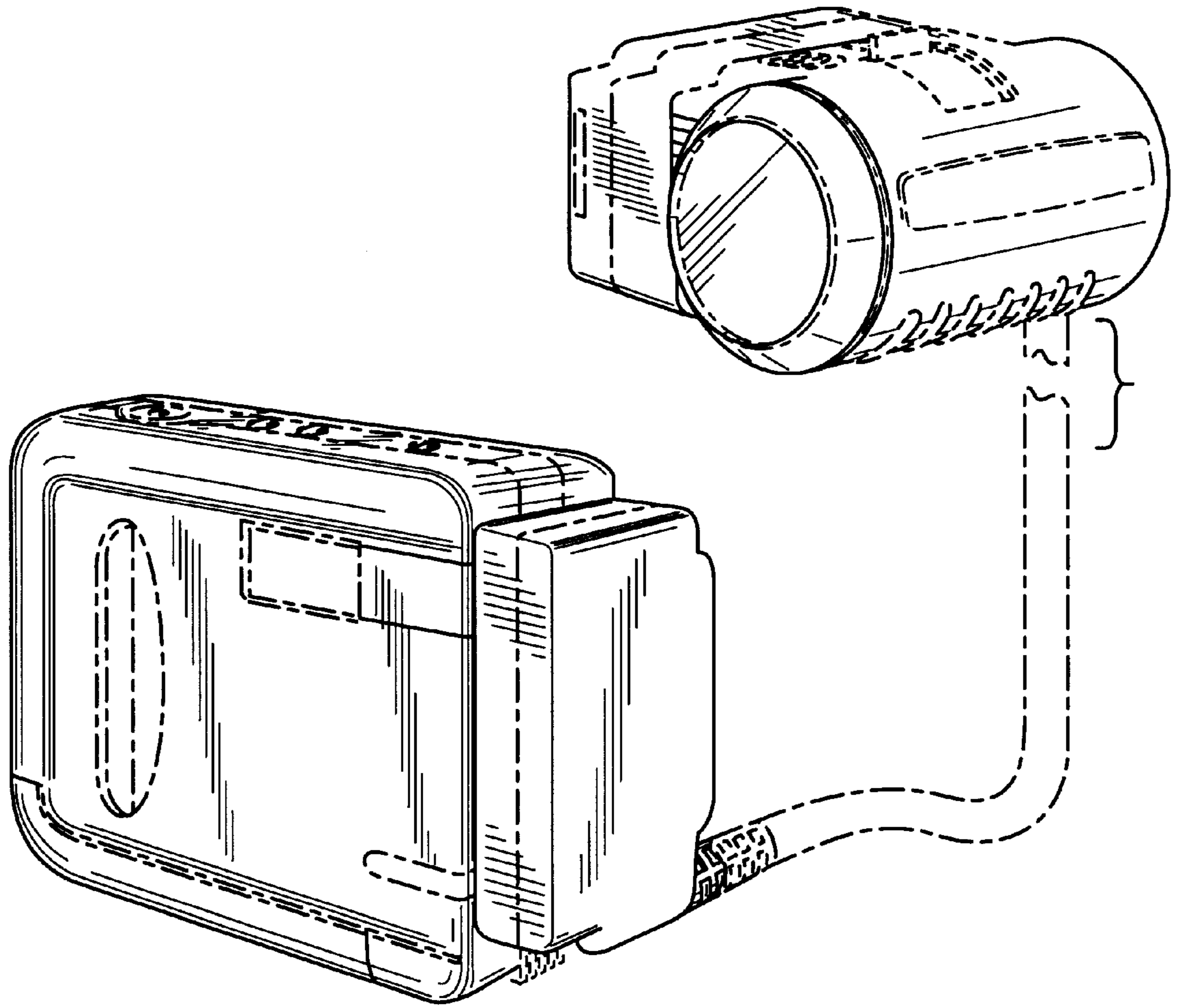


FIG. 1

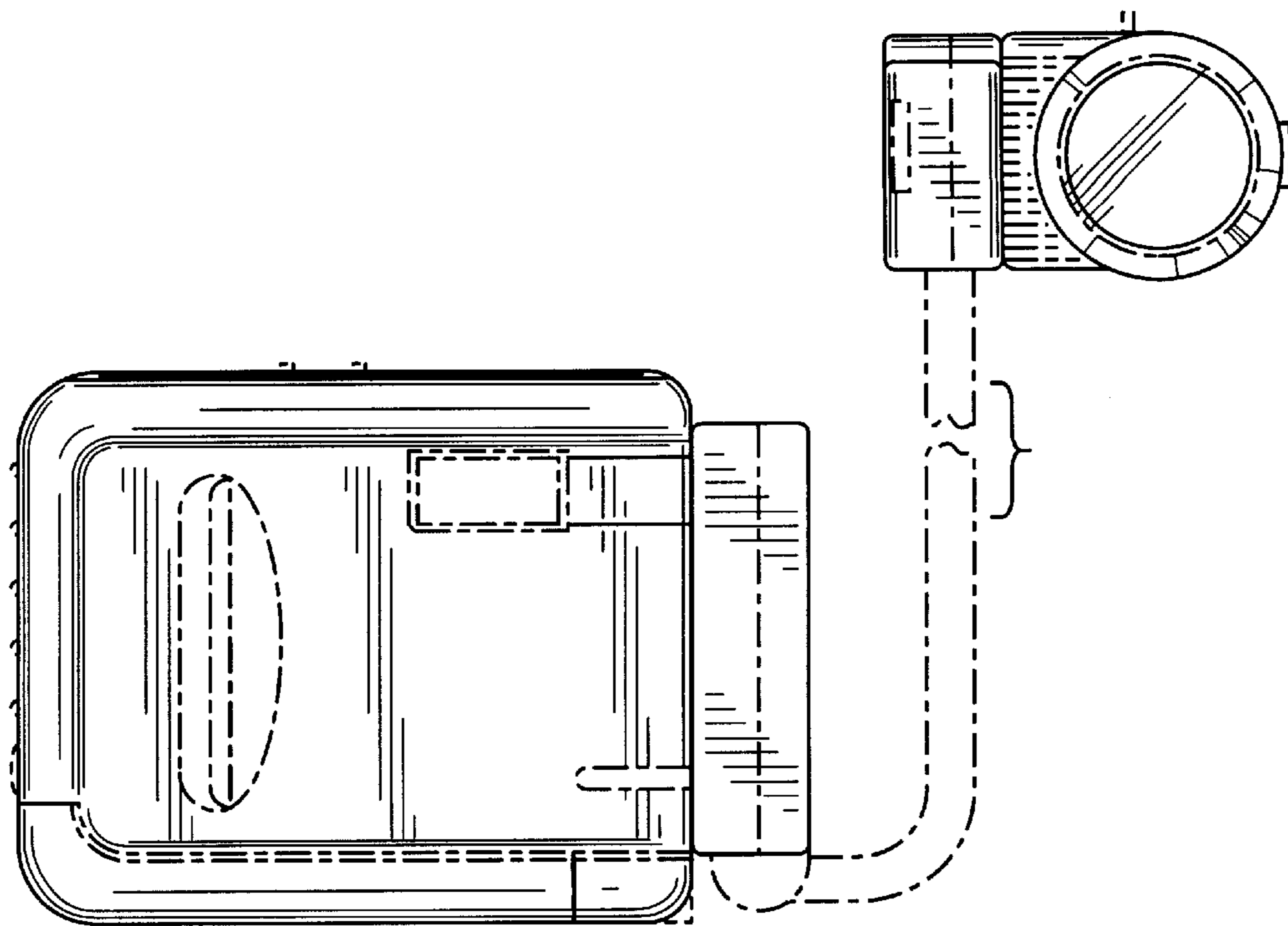


FIG. 2

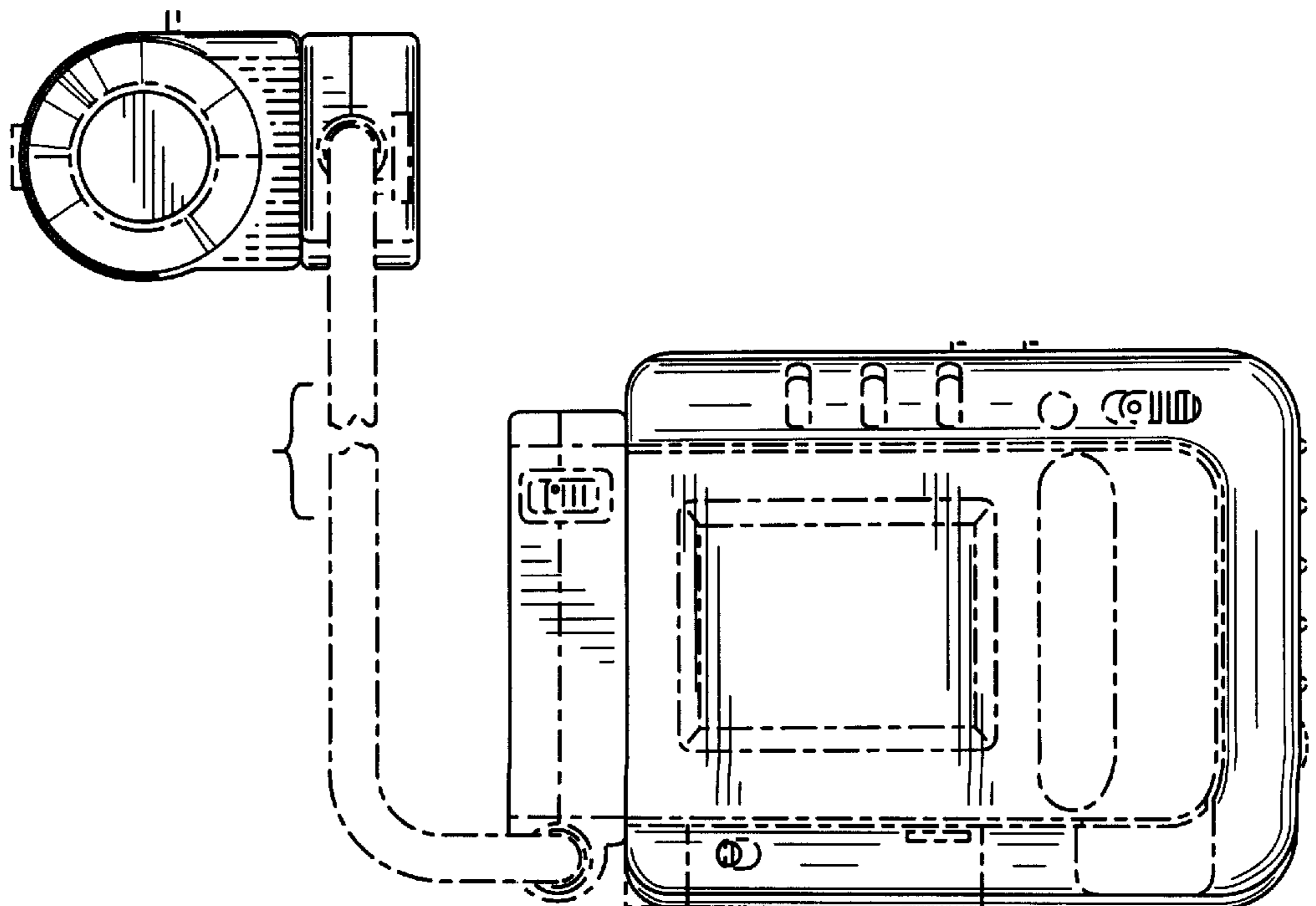


FIG. 3

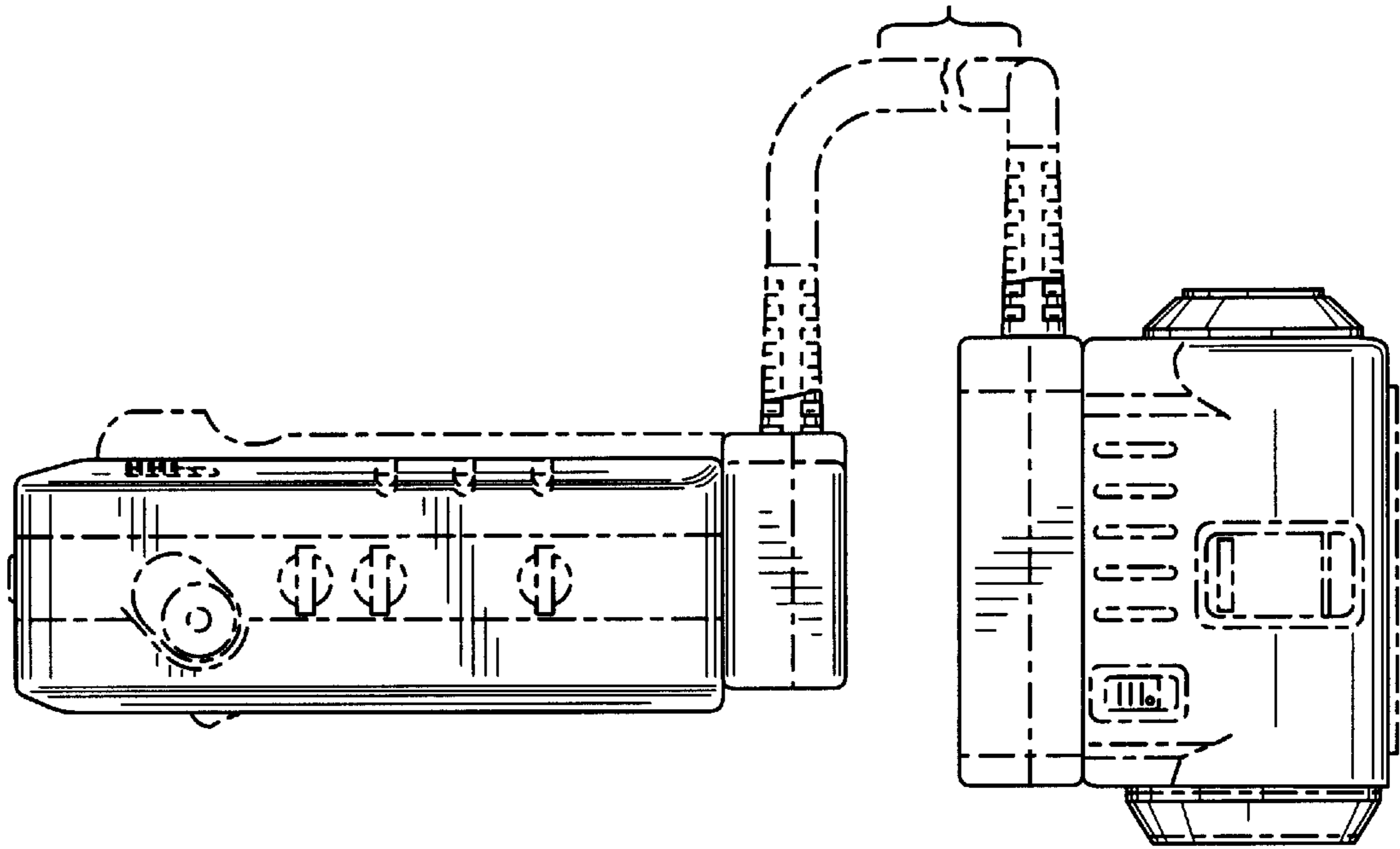


FIG. 4

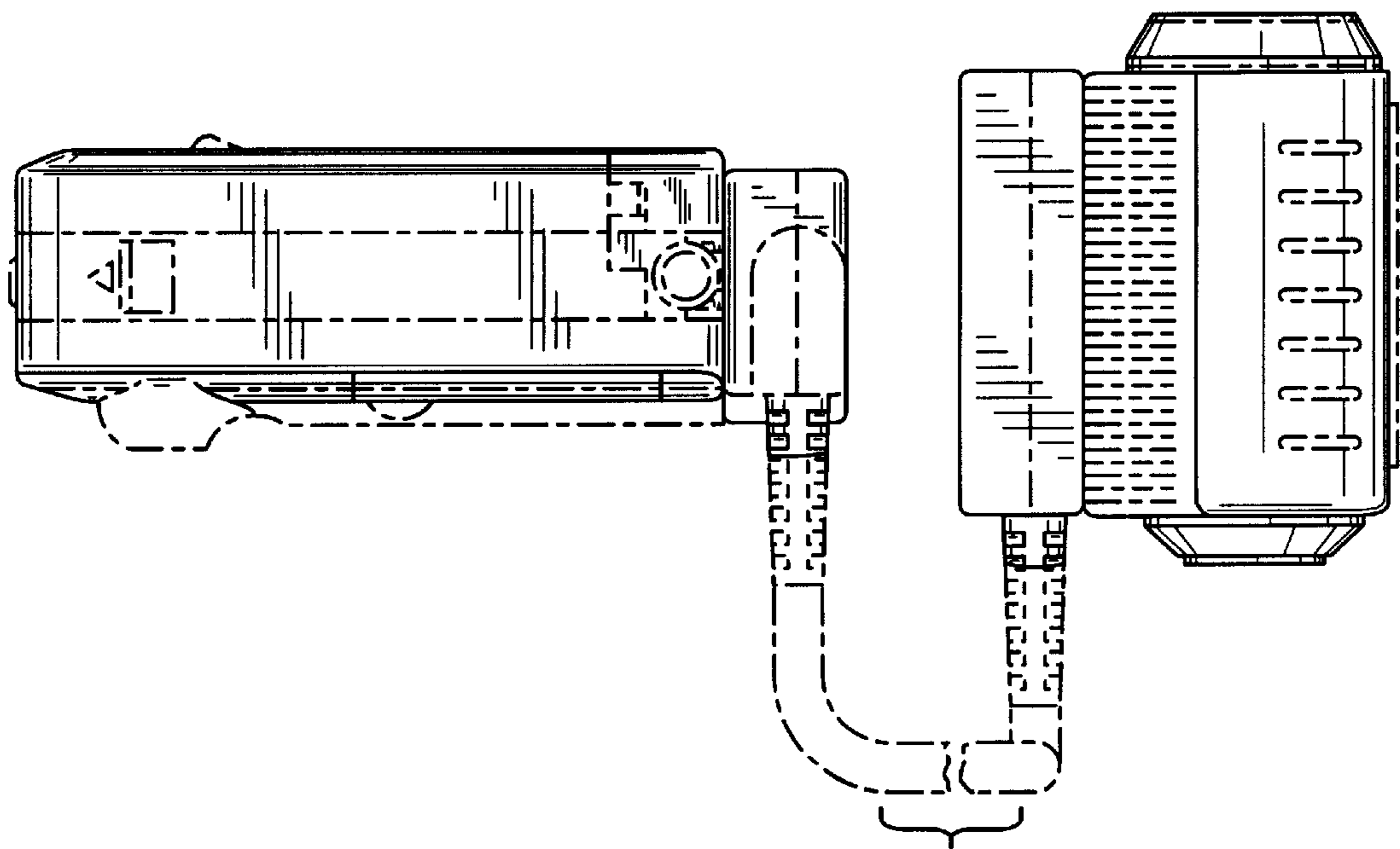


FIG. 5

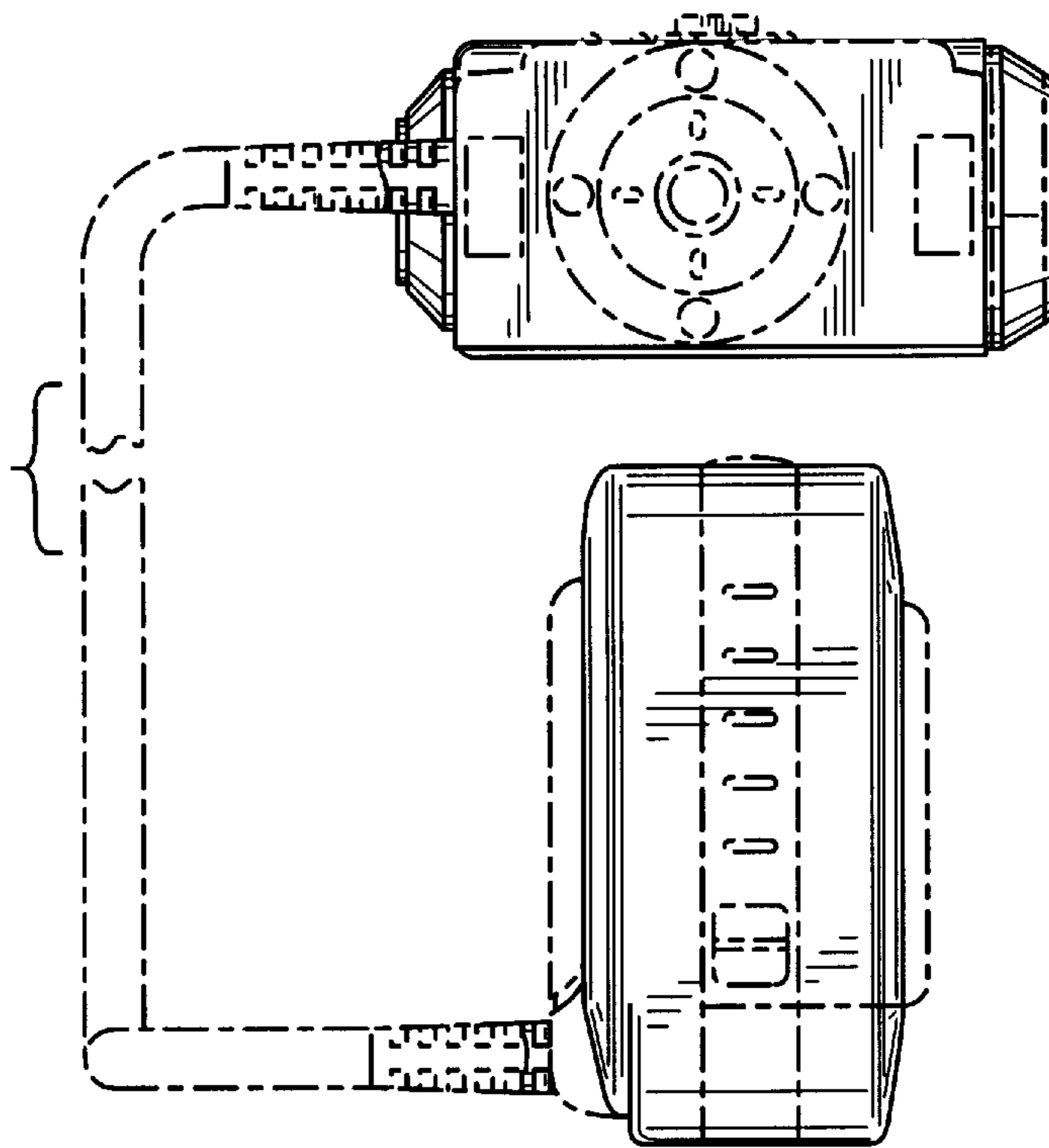


FIG. 6

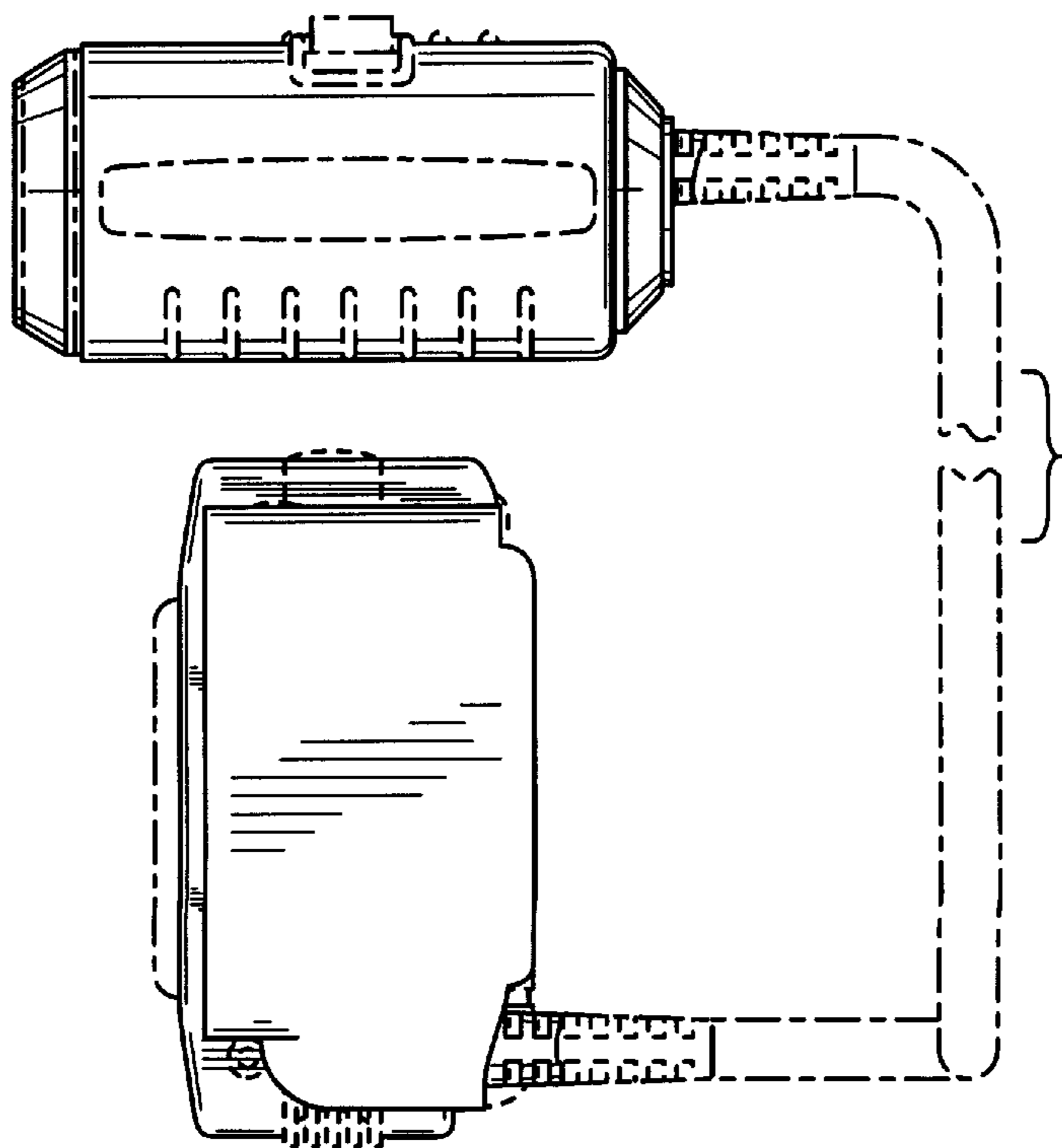


FIG. 7

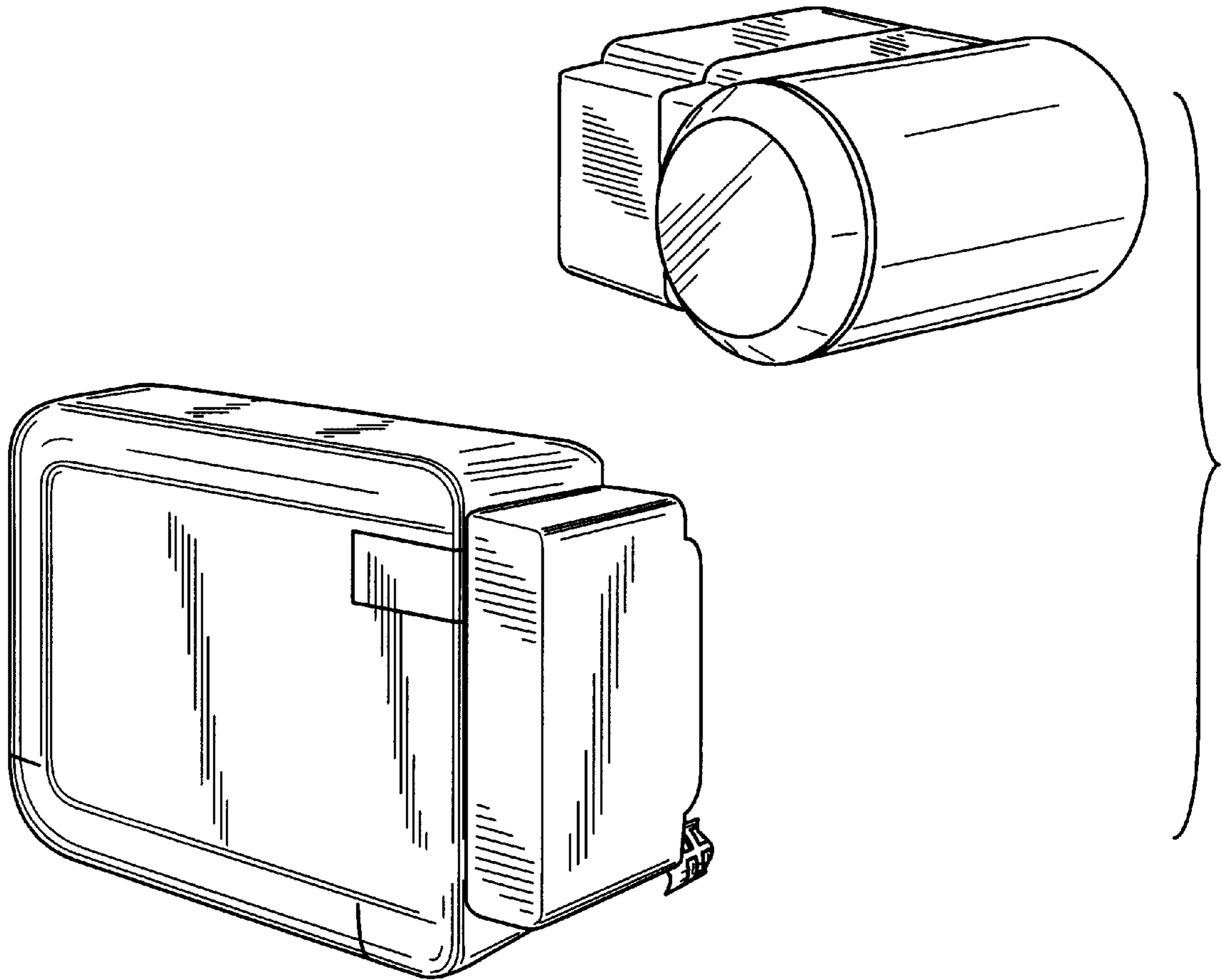


FIG. 8

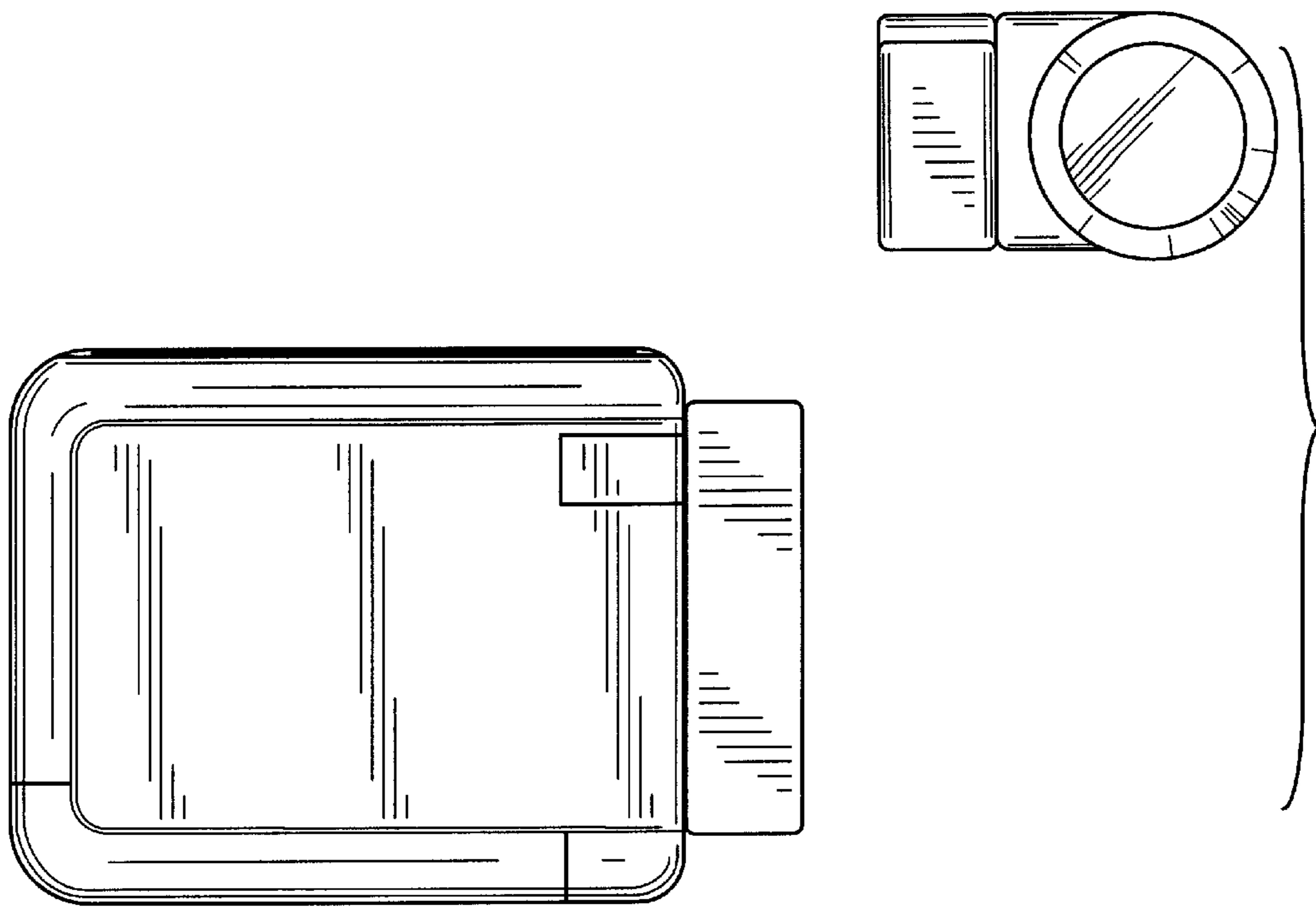


FIG. 9

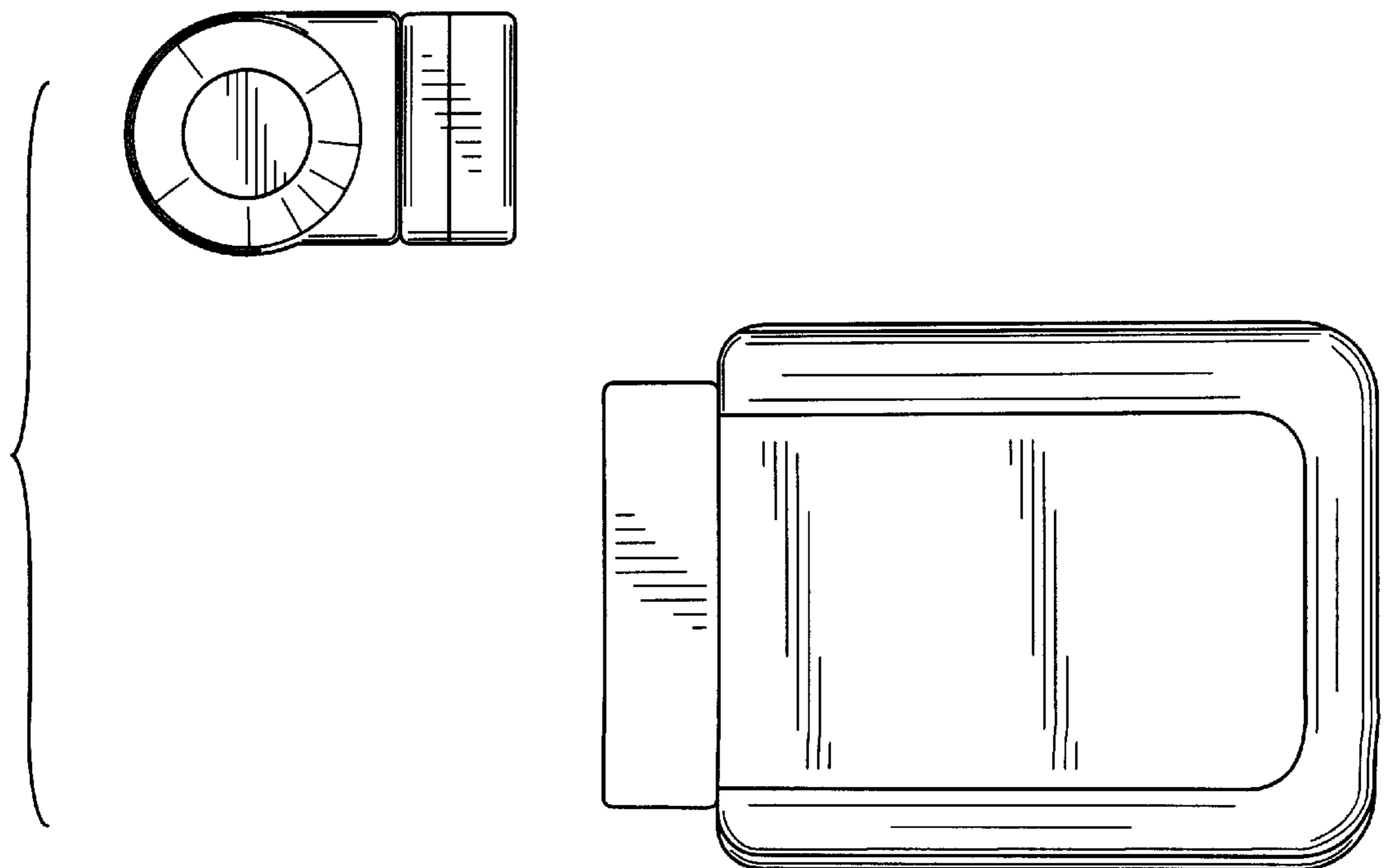


FIG. 10

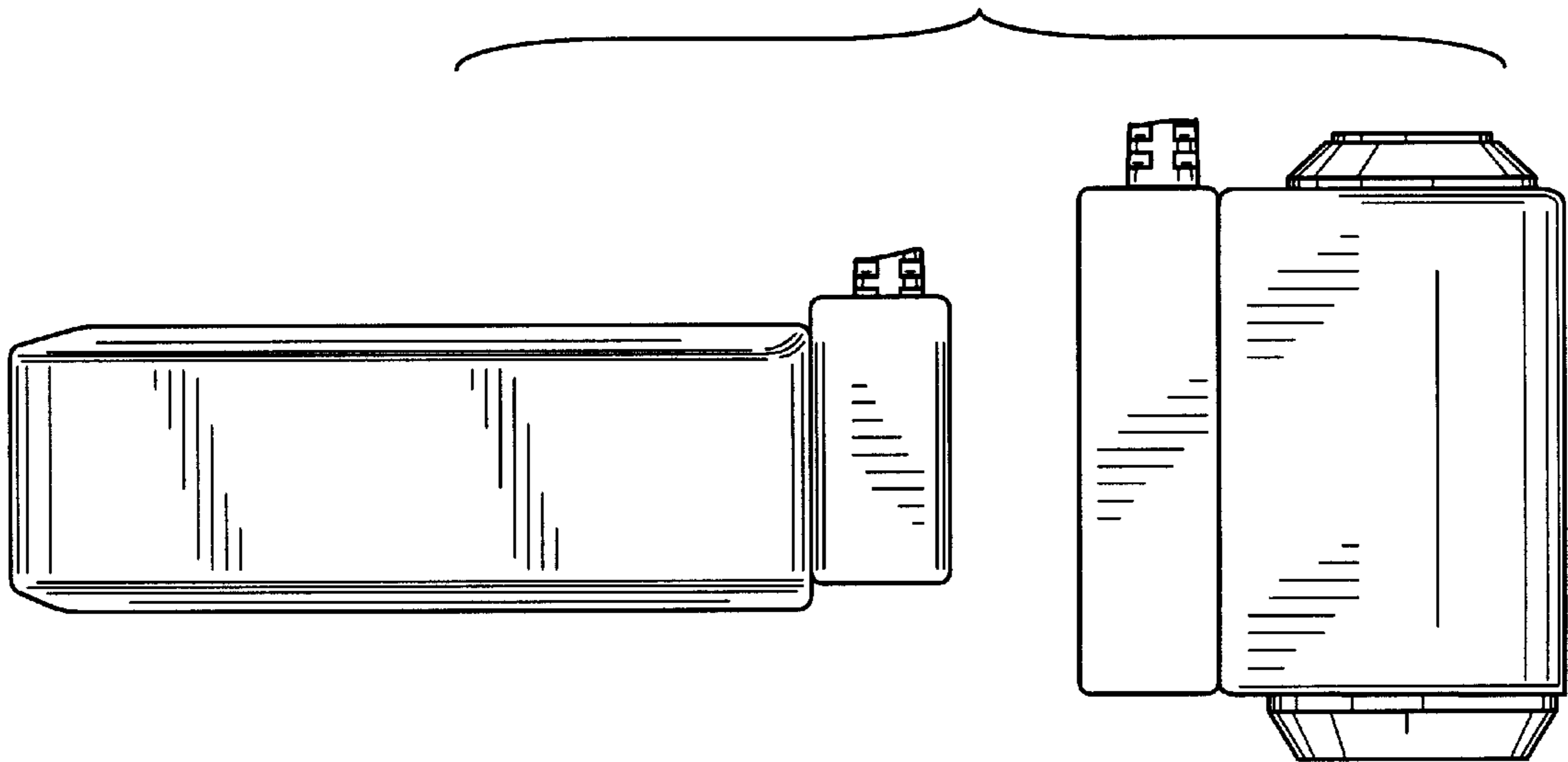


FIG. 11

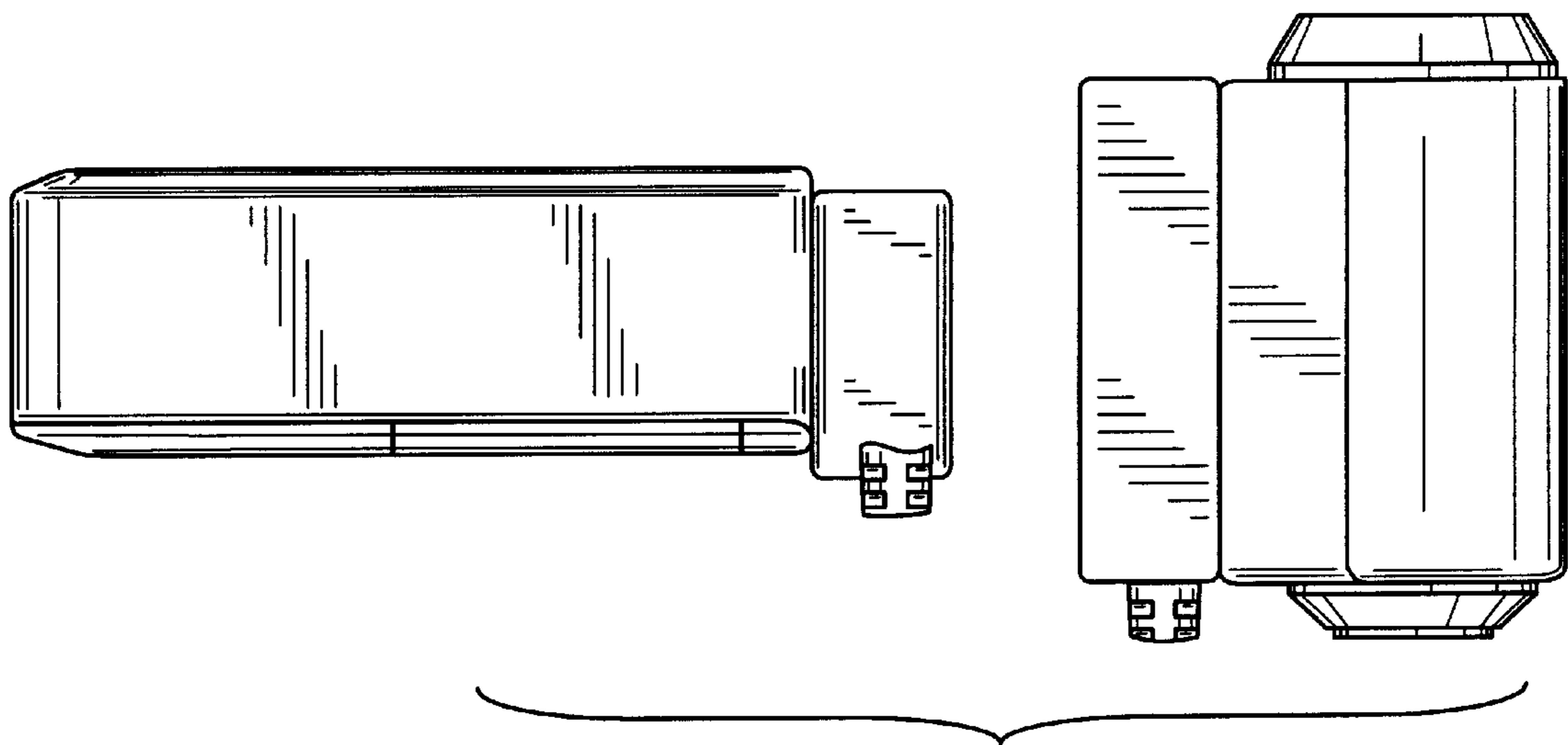


FIG. 12

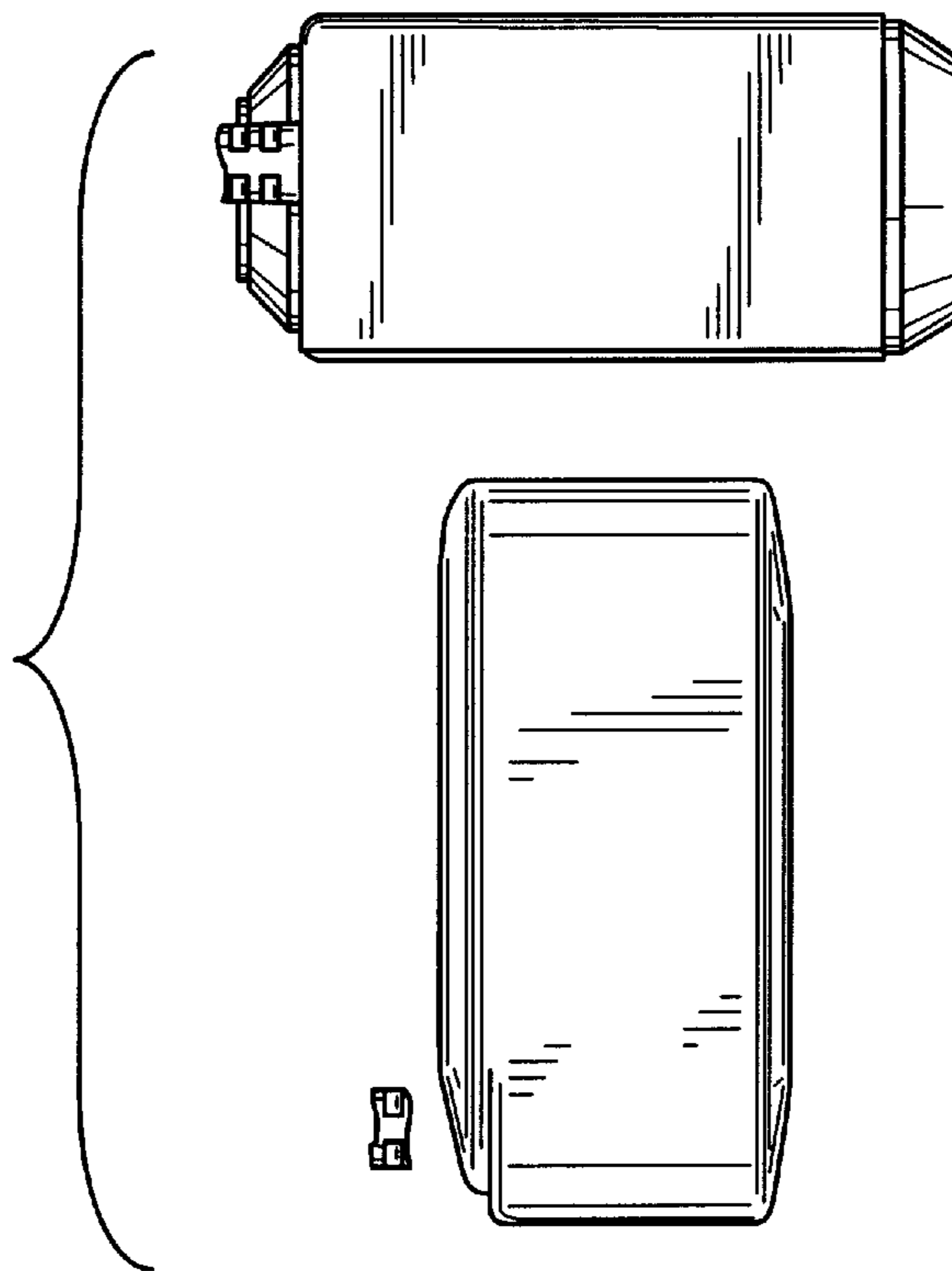


FIG. 13

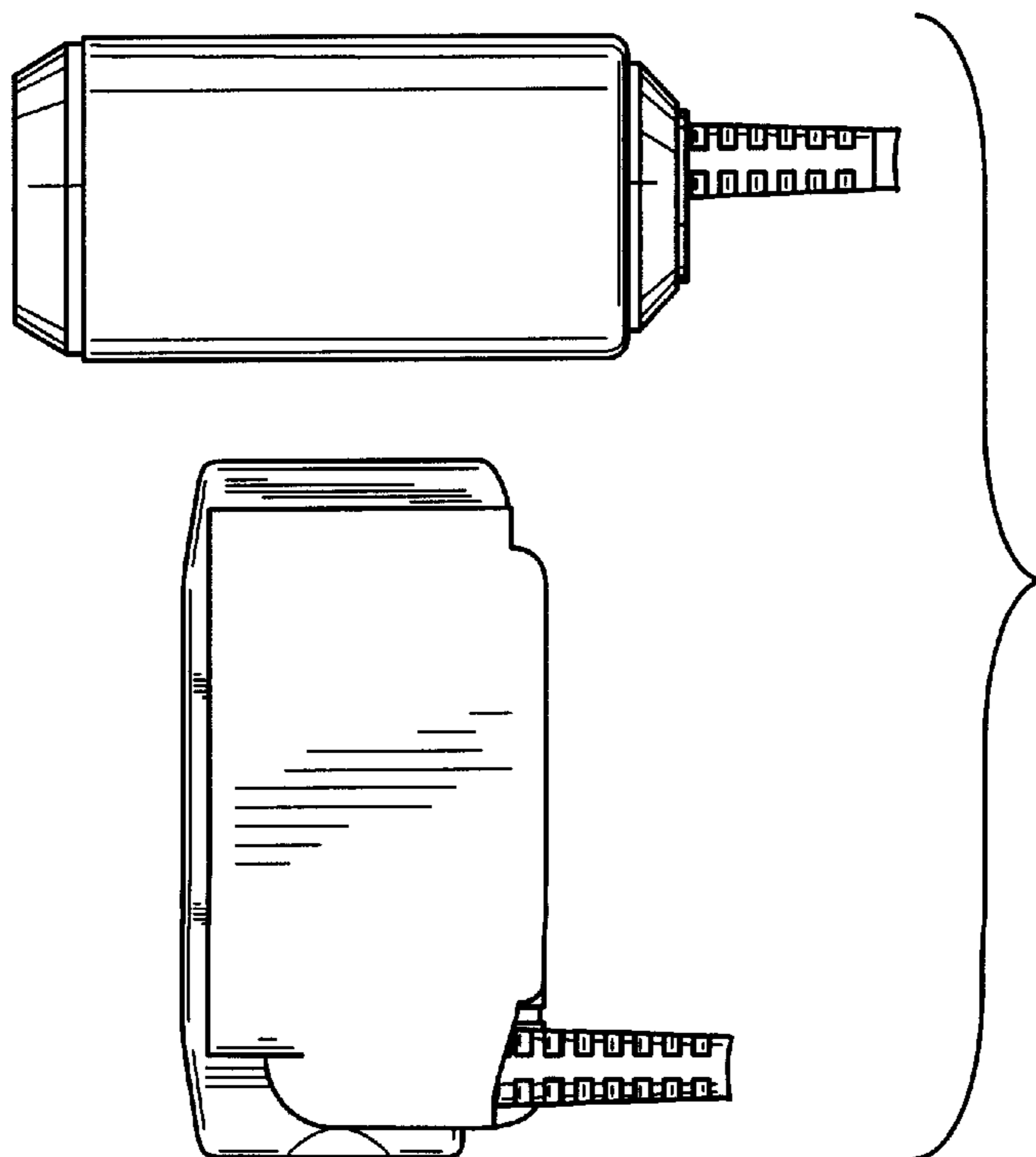


FIG. 14