



US00D421616S

United States Patent [19] Shimizu

[11] Patent Number: **Des. 421,616**

[45] Date of Patent: **** Mar. 14, 2000**

[54] AGITATOR

[75] Inventor: **Masanori Shimizu**, Sakaki, Japan

[73] Assignee: **Takeuchi Manufacturing Co., LTD.**,
Nagano-ken, Japan

[**] Term: **14 Years**

[21] Appl. No.: **29/100,137**

[22] Filed: **Feb. 5, 1999**

[30] Foreign Application Priority Data

Oct. 12, 1998 [JP] Japan 10-29349

[51] LOC (6) Cl. **15-09**

[52] U.S. Cl. **D15/147**

[58] Field of Search D15/147; 366/147,
366/165.2, 165.3, 167.1, 172.1, 175.2, 182.1,
328.1, 328.3, 342-346, 602-605

[56] References Cited

U.S. PATENT DOCUMENTS

D. 306,033	2/1990	Fries et al.	D15/147
D. 341,608	11/1993	Fries	D15/147
4,544,277	10/1985	Schnellmann	366/343 X
5,839,826	11/1998	Eubanks	366/343 X

FOREIGN PATENT DOCUMENTS

534374 of 0000 Japan .

OTHER PUBLICATIONS

“Lightnin® Vector™ Clamp-Mount and Fixed-Mount Mixers” Catalog 1995.

“Hi-Tork Portable™ Portable Mixer Products from Philadelphia Mixers” Catalog 1988.

“Chemineer Portable & Small Top-Entering Mixers” Catalog 1995.

Primary Examiner—Antoine Duval Davis
Attorney, Agent, or Firm—Price, Gess & Ubell

[57] CLAIM

The ornamental design for an agitator, as shown and described.

DESCRIPTION

FIG. 1 is a top front perspective view of an agitator showing the new design;

FIG. 2 is a front elevational view thereof;

FIG. 3 is a rear elevational view thereof;

FIG. 4 is a top plan view thereof;

FIG. 5 is a bottom plan view thereof;

FIG. 6 is a right side elevational view thereof;

FIG. 7 is a left side elevational view thereof; and,

FIG. 8 is a front elevational view showing an agitator in use with stirring blades attached thereto.

1 Claim, 7 Drawing Sheets

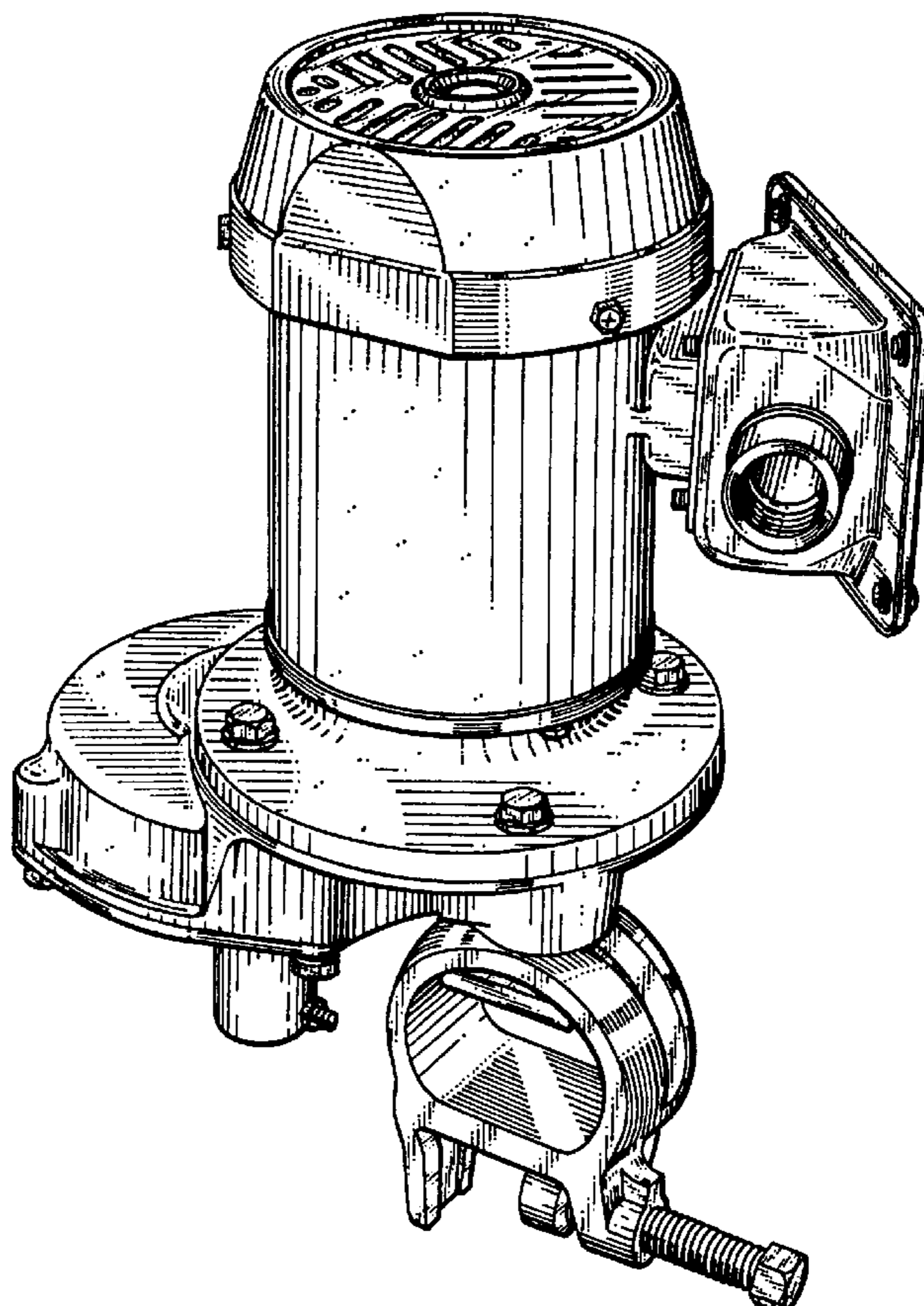


FIG. 1

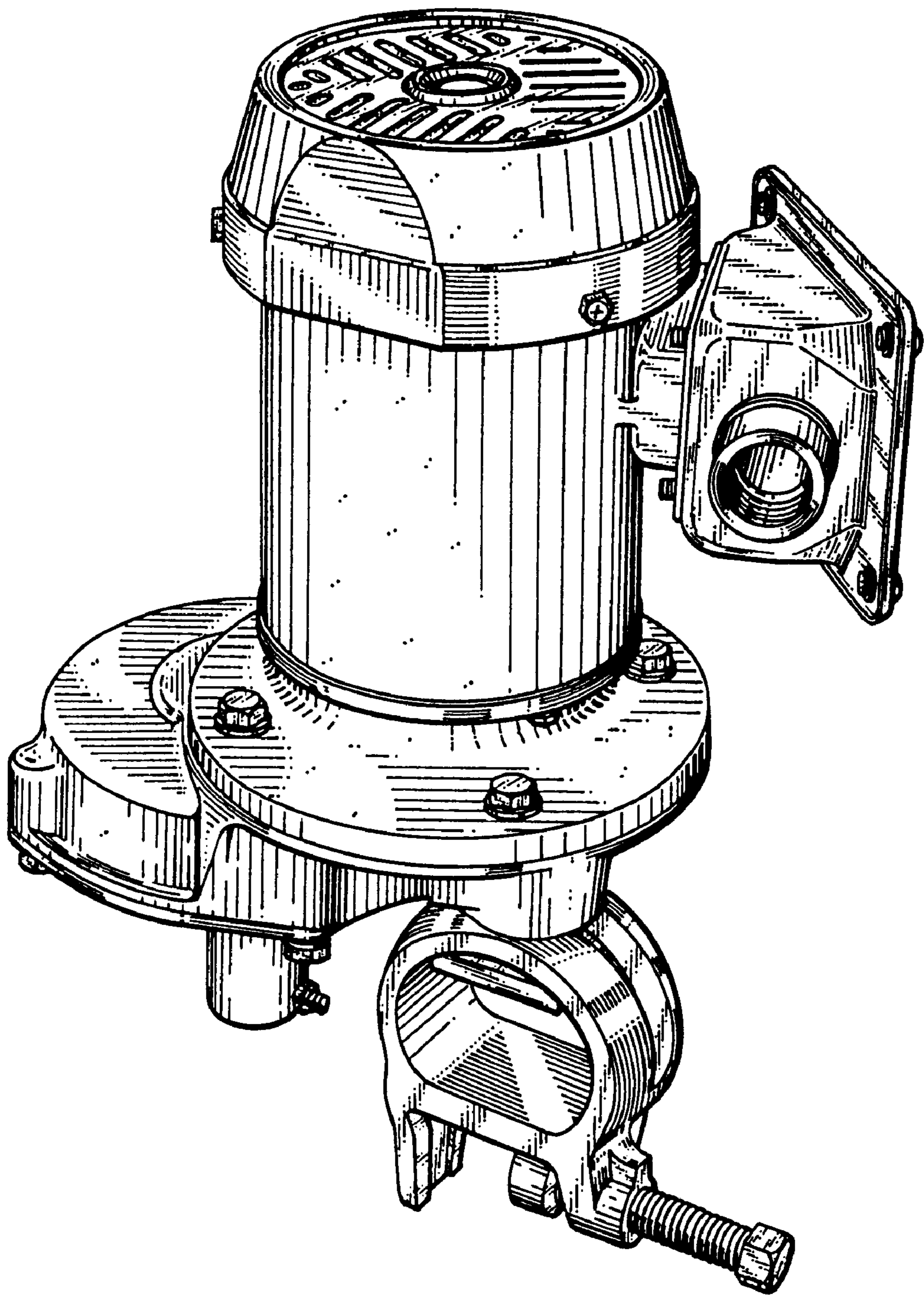


FIG. 2

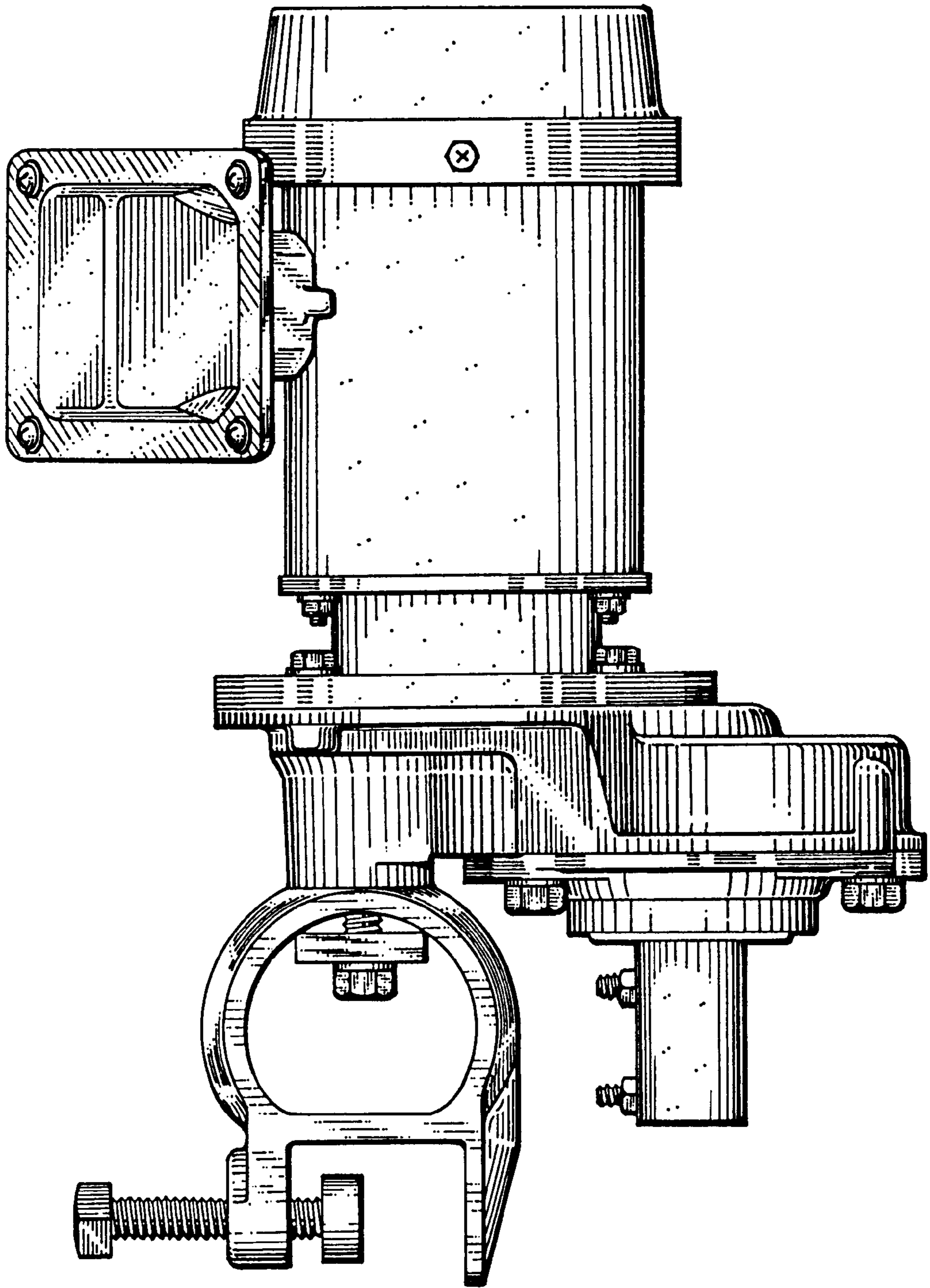


FIG. 3

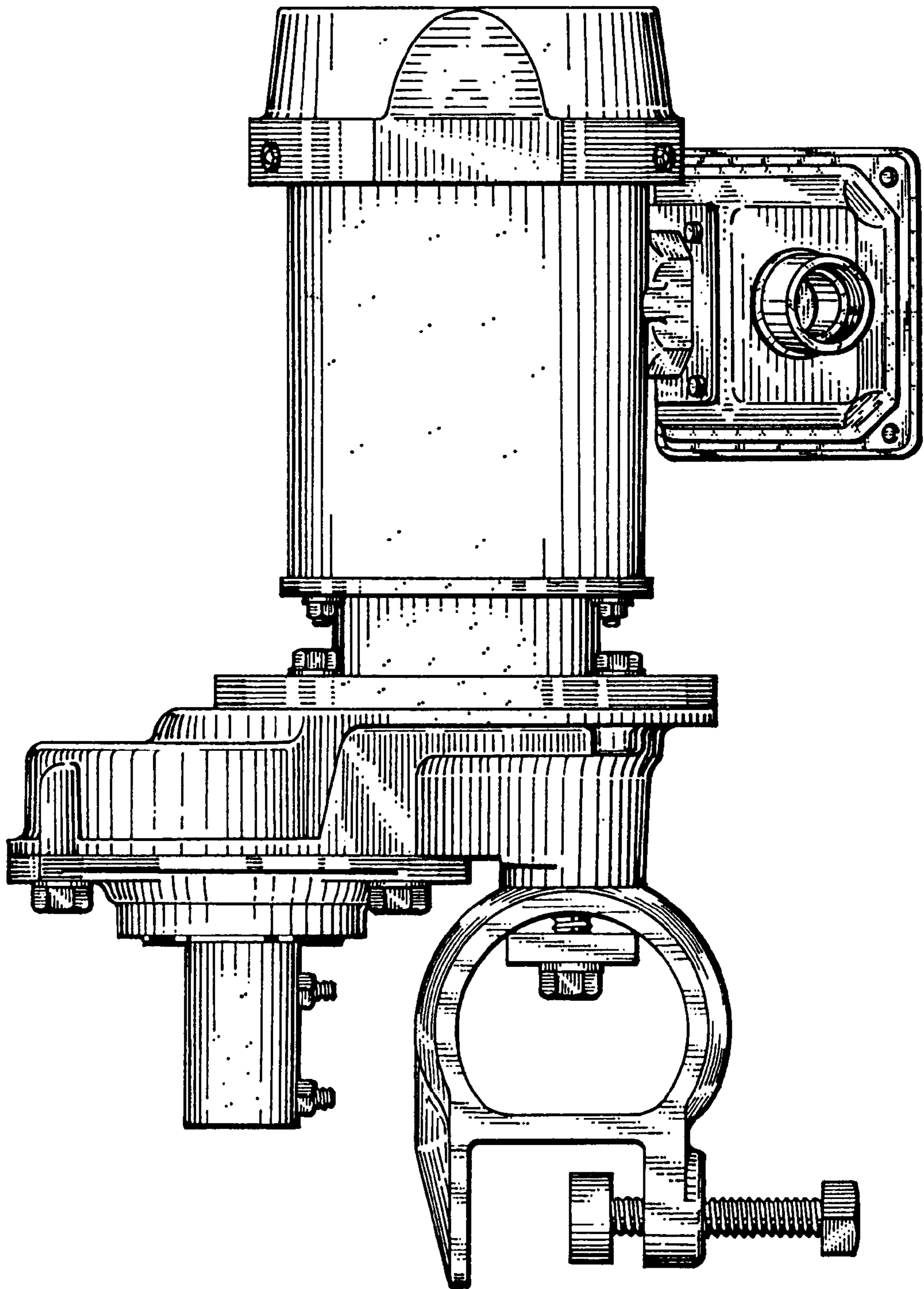


FIG. 4

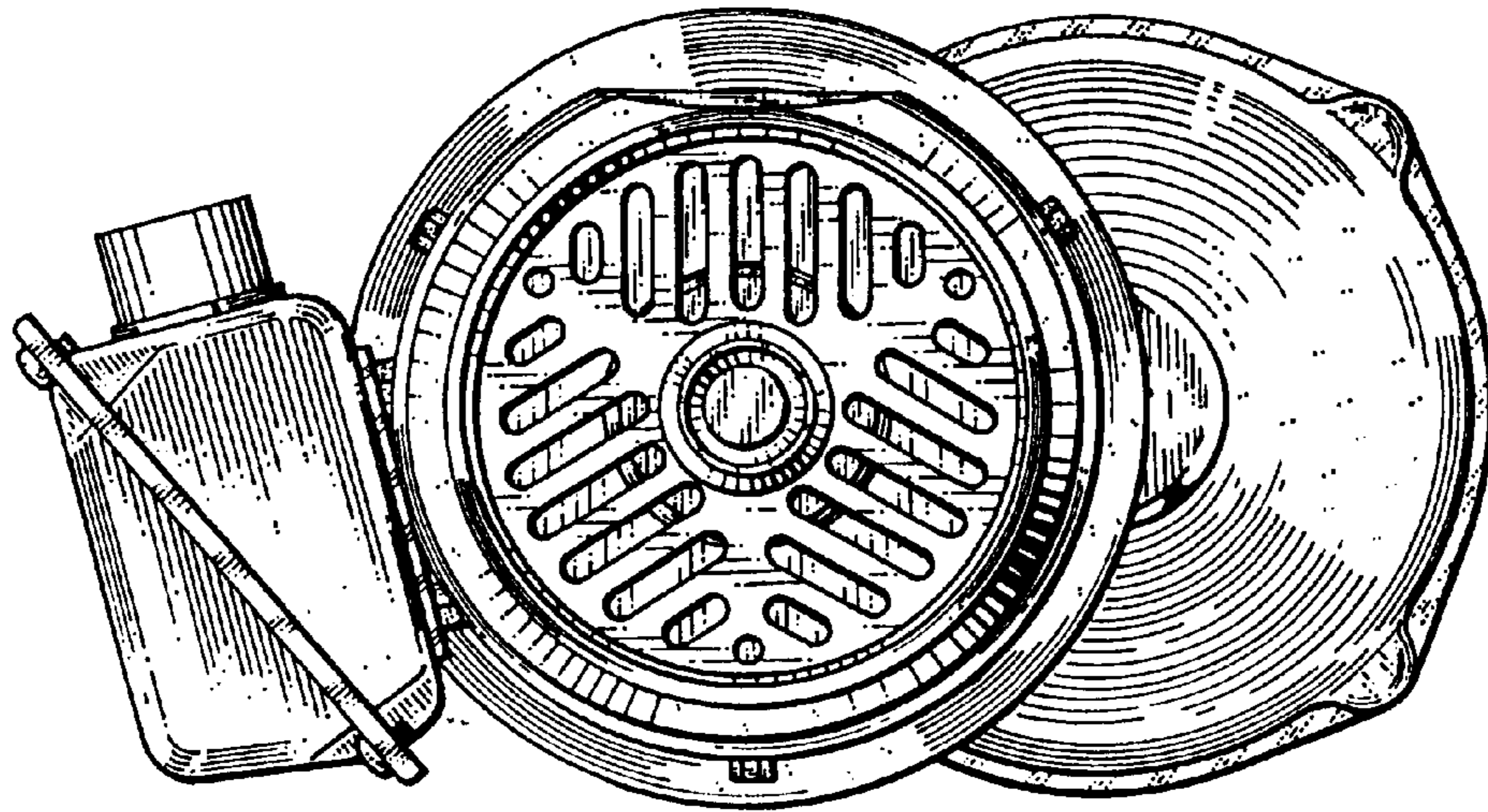


FIG. 5

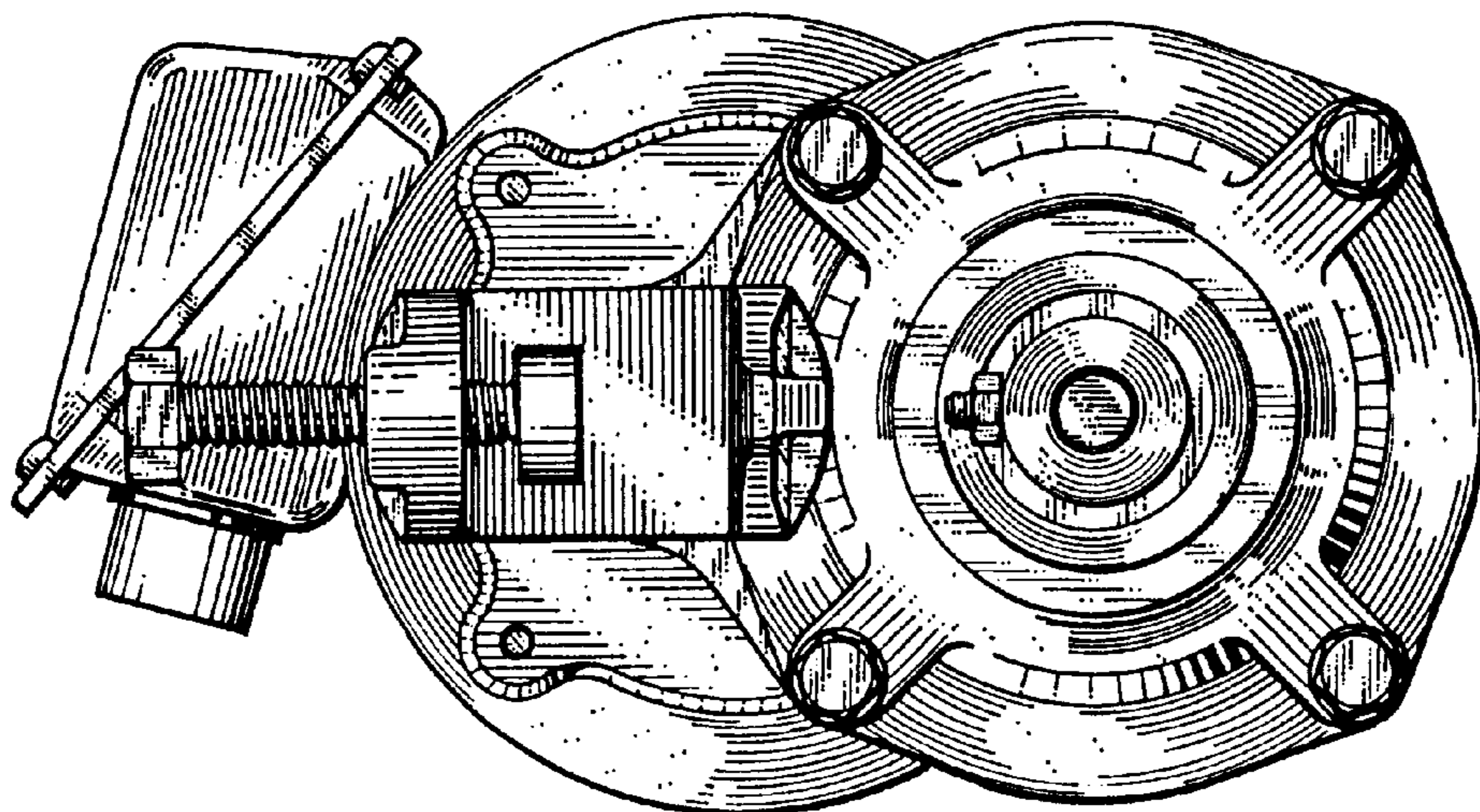


FIG. 6

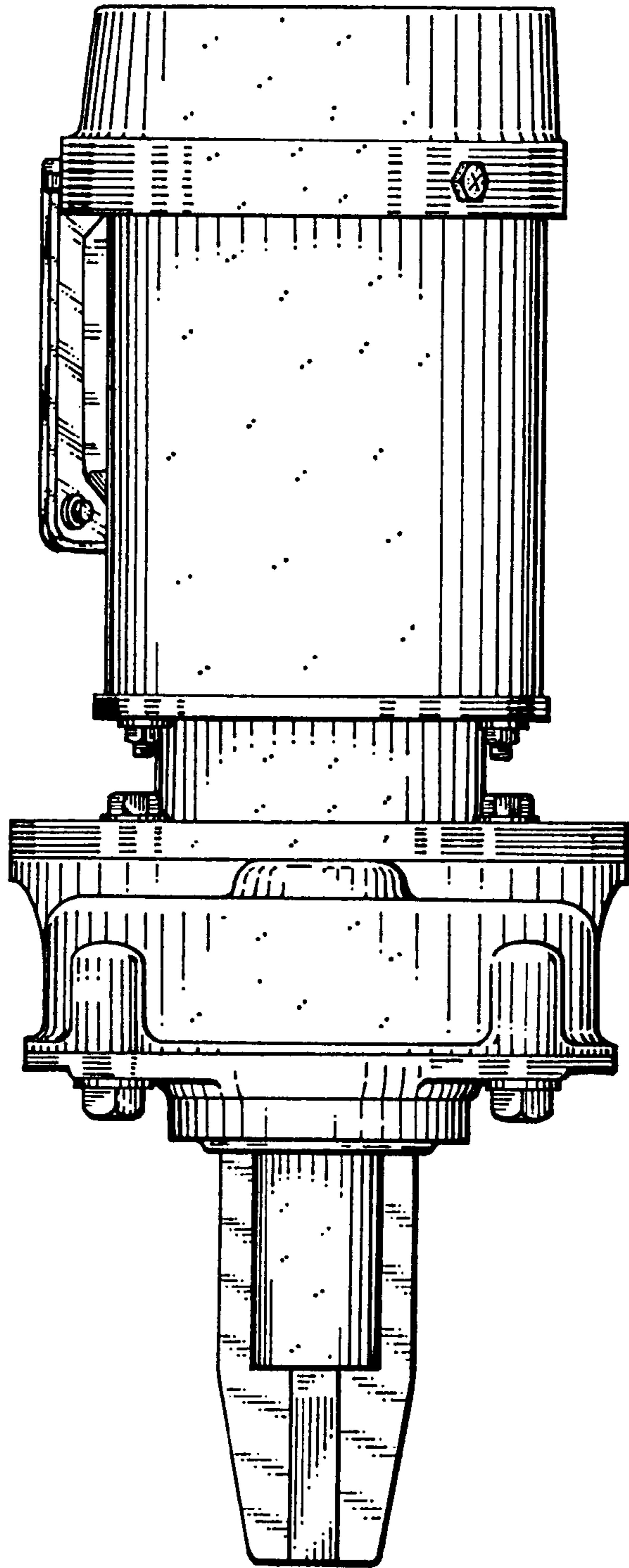


FIG. 7

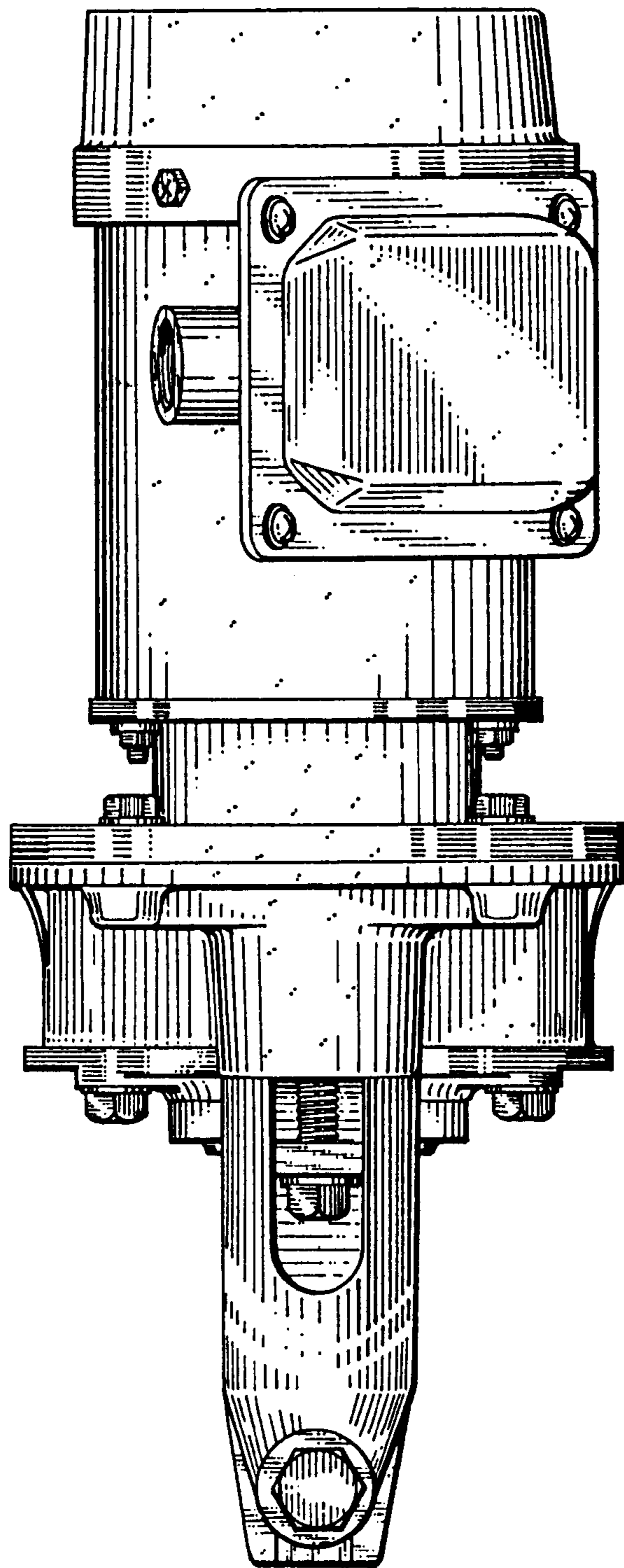


FIG. 8

