



US00D421615S

United States Patent [19]

[11] **Patent Number: Des. 421,615**

Argo et al.

[45] **Date of Patent: ** Mar. 14, 2000**

[54] **KEYLESS CHUCK**

5,501,473 3/1996 Barton et al. .

[75] Inventors: **Stephen Argo**, Laytonsville; **Donald W. Zurwelle**, Lutherville, both of Md.

5,531,461 7/1996 Huff et al. .

5,553,873 9/1996 Salpaka et al. 279/62

[73] Assignee: **Black & Decker Inc.**, Newark, Del.

FOREIGN PATENT DOCUMENTS

[**] Term: **14 Years**

9002386 2/1991 Germany .

9306398 2/1994 Germany .

9401141 8/1994 Germany .

9405172 11/1994 Germany .

9409188 5/1995 Germany .

9505477 1/1996 Germany .

[21] Appl. No.: **29/074,519**

[22] Filed: **Aug. 4, 1997**

Related U.S. Application Data

Primary Examiner—Antoine Duval Davis
Attorney, Agent, or Firm—Dennis A. Dearing; John D. Del Ponti; Bruce S. Shapiro

[63] Continuation of application No. 29/066,464, Feb. 12, 1997, abandoned, which is a continuation of application No. 29/062,420, Nov. 14, 1996, abandoned.

[57] CLAIM

[51] **LOC (6) Cl.** **15-09**

The ornamental design for a keyless chuck, as shown and described.

[52] **U.S. Cl.** **D15/140; D8/70**

DESCRIPTION

[58] **Field of Search** D8/70; D15/140;
279/60-63, 69, 157, 901, 902

FIG. 1 is a front perspective view of a keyless chuck showing a first embodiment of my new design.

FIG. 2 is a left side elevational view of the first embodiment.

FIG. 3 is a front elevational view of the first embodiment.

FIG. 4 is a rear elevational view of the first embodiment.

FIG. 5 is a front perspective view of a keyless chuck showing a second embodiment of my new design.

FIG. 6 is a left side elevational view of the second embodiment.

FIG. 7 is a front elevational view of the second embodiment; and,

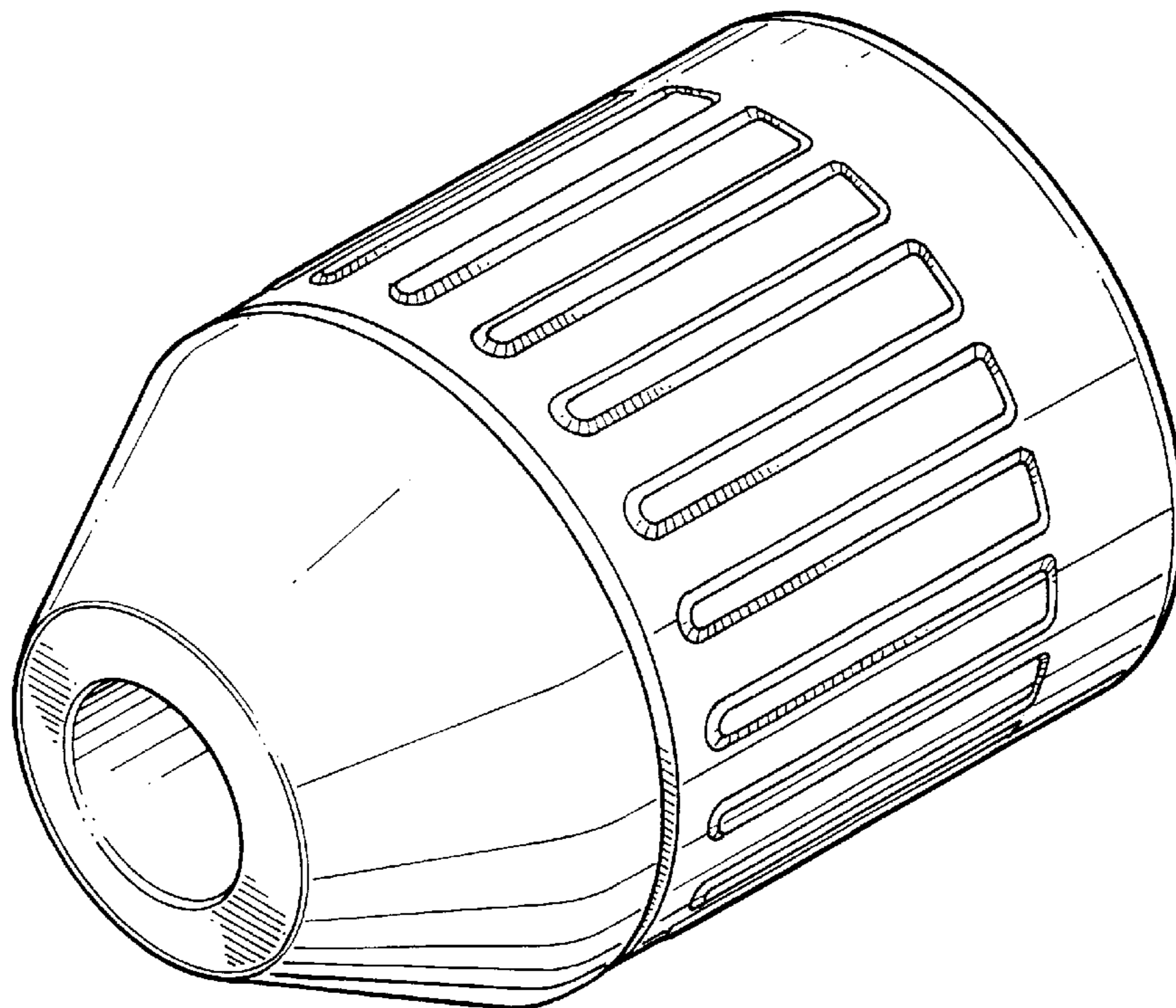
FIG. 8 is a rear elevational view of the second embodiment.

[56] References Cited

U.S. PATENT DOCUMENTS

- 146,143 1/1874 Olmsted .
- D. 361,076 8/1995 Shadeck et al. .
- D. 366,052 1/1996 Barton et al. .
- 3,237,955 3/1966 McCarty et al. .
- 4,154,450 5/1979 Derbyshire .
- 4,695,065 9/1987 Komatsu et al. .
- 4,836,563 6/1989 Röhm .
- 5,031,925 7/1991 Tasu et al. .
- 5,348,318 9/1994 Steadings et al. .
- 5,411,275 5/1995 Huff et al. .
- 5,499,828 3/1996 Salpaka et al. .

1 Claim, 5 Drawing Sheets



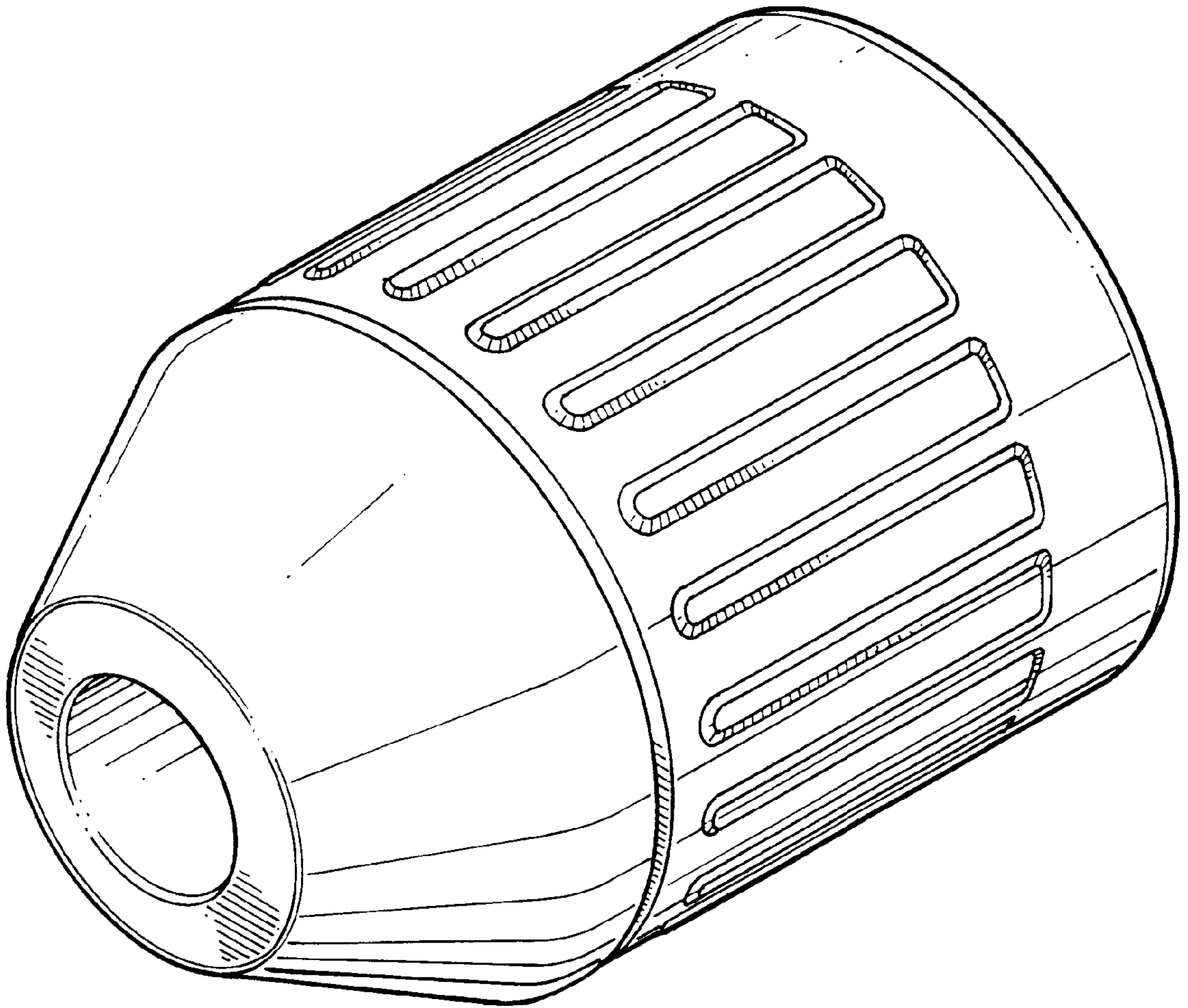


FIG. 1

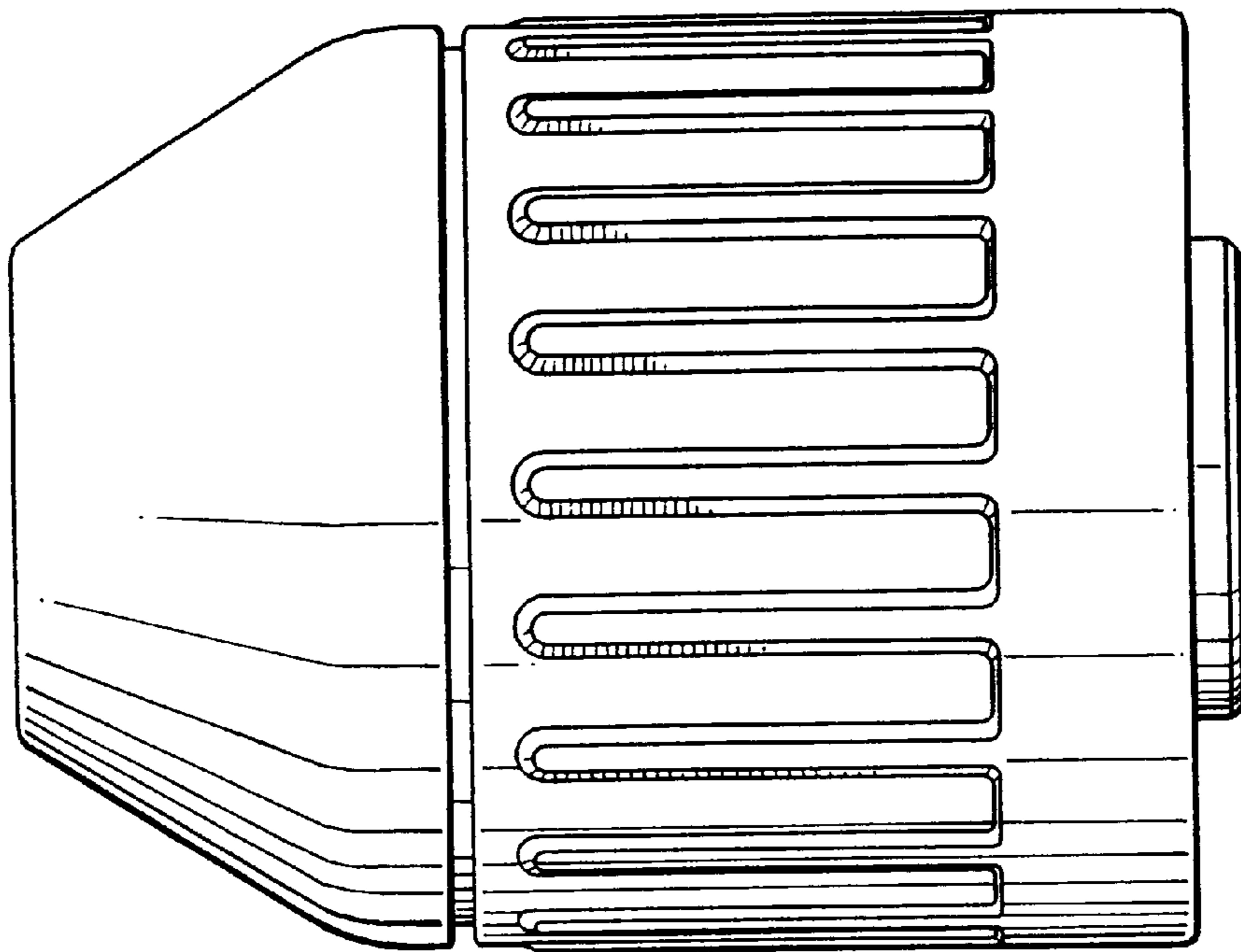


FIG. 2

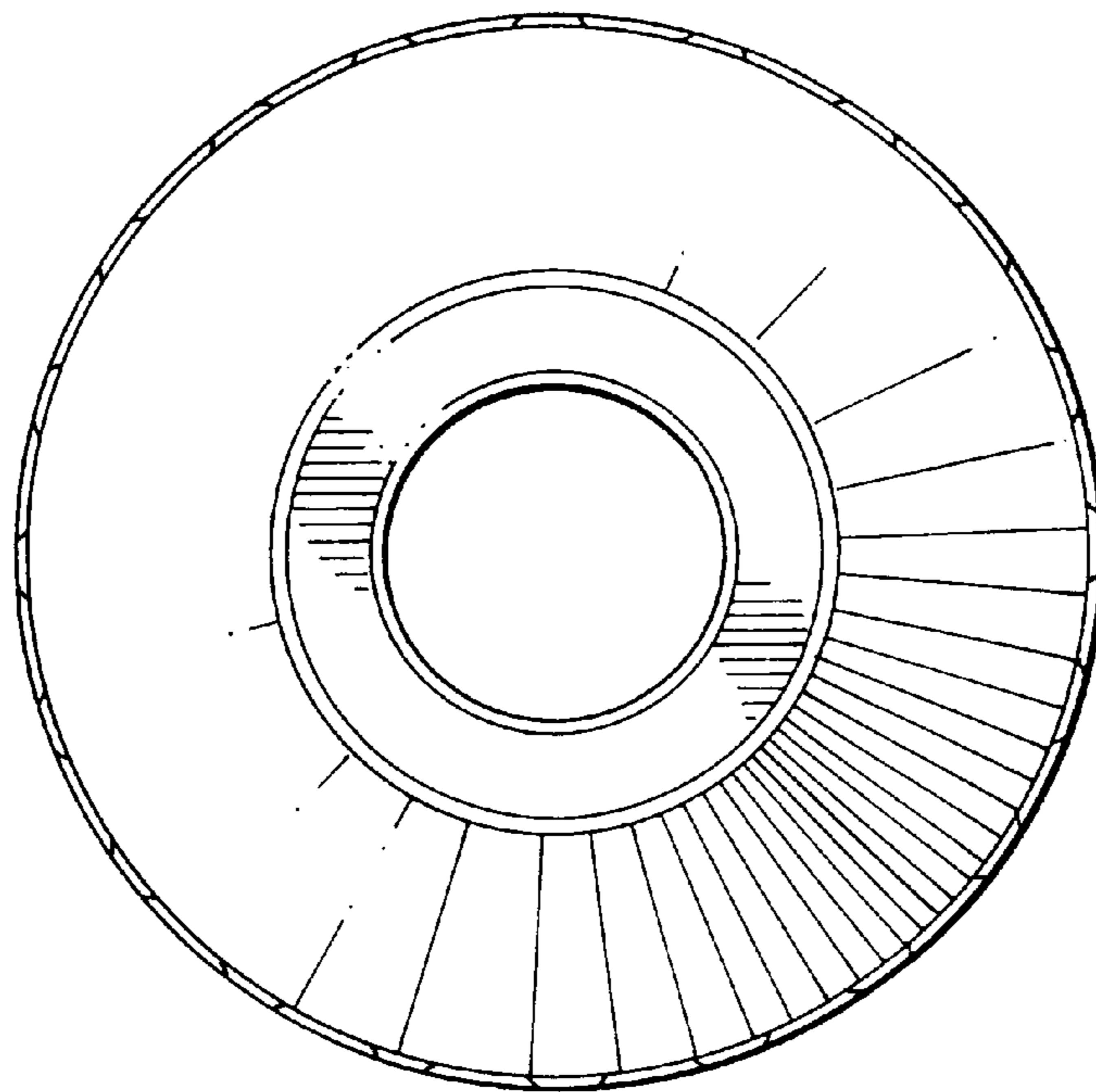


FIG. 3

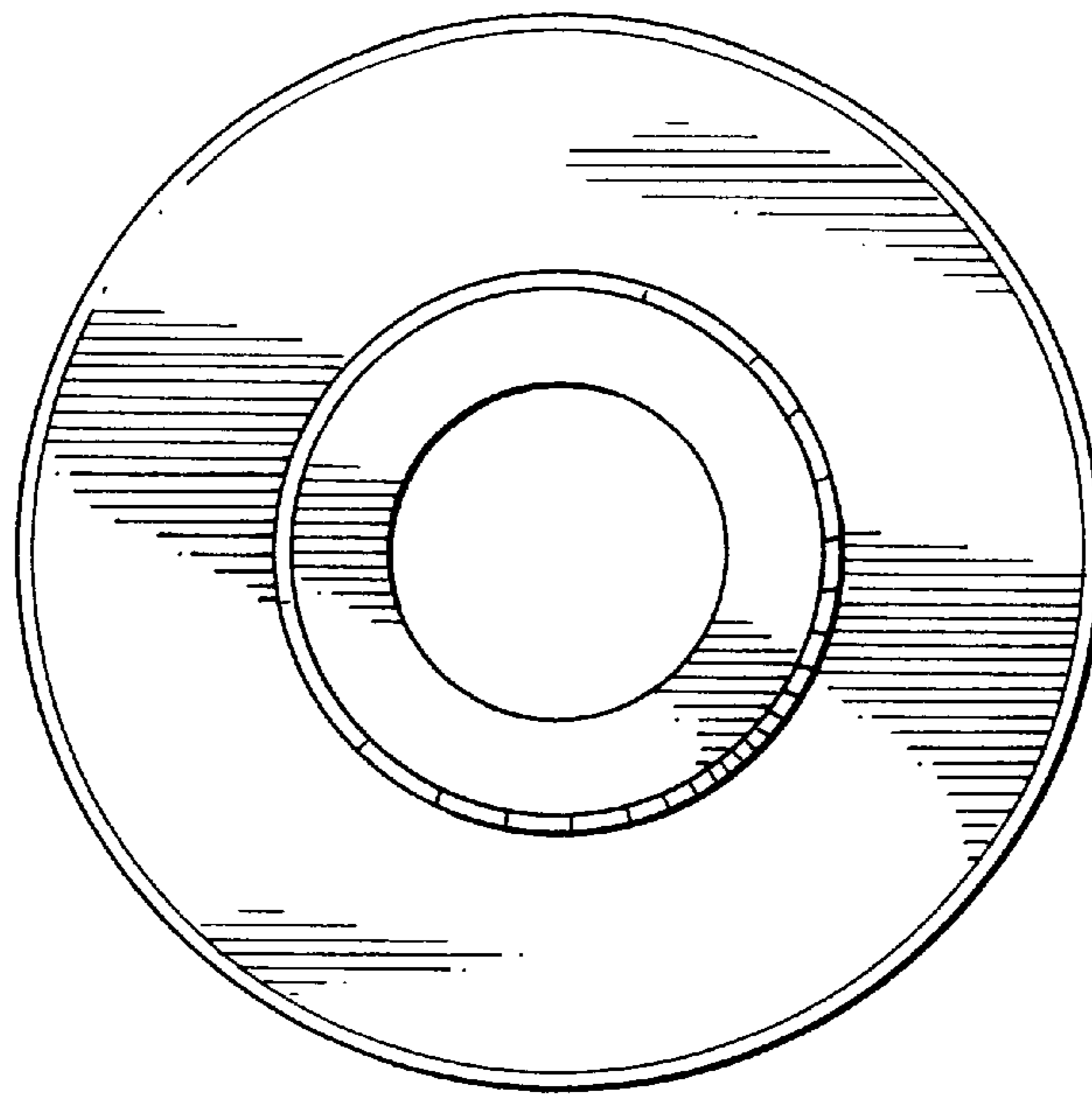


FIG. 4

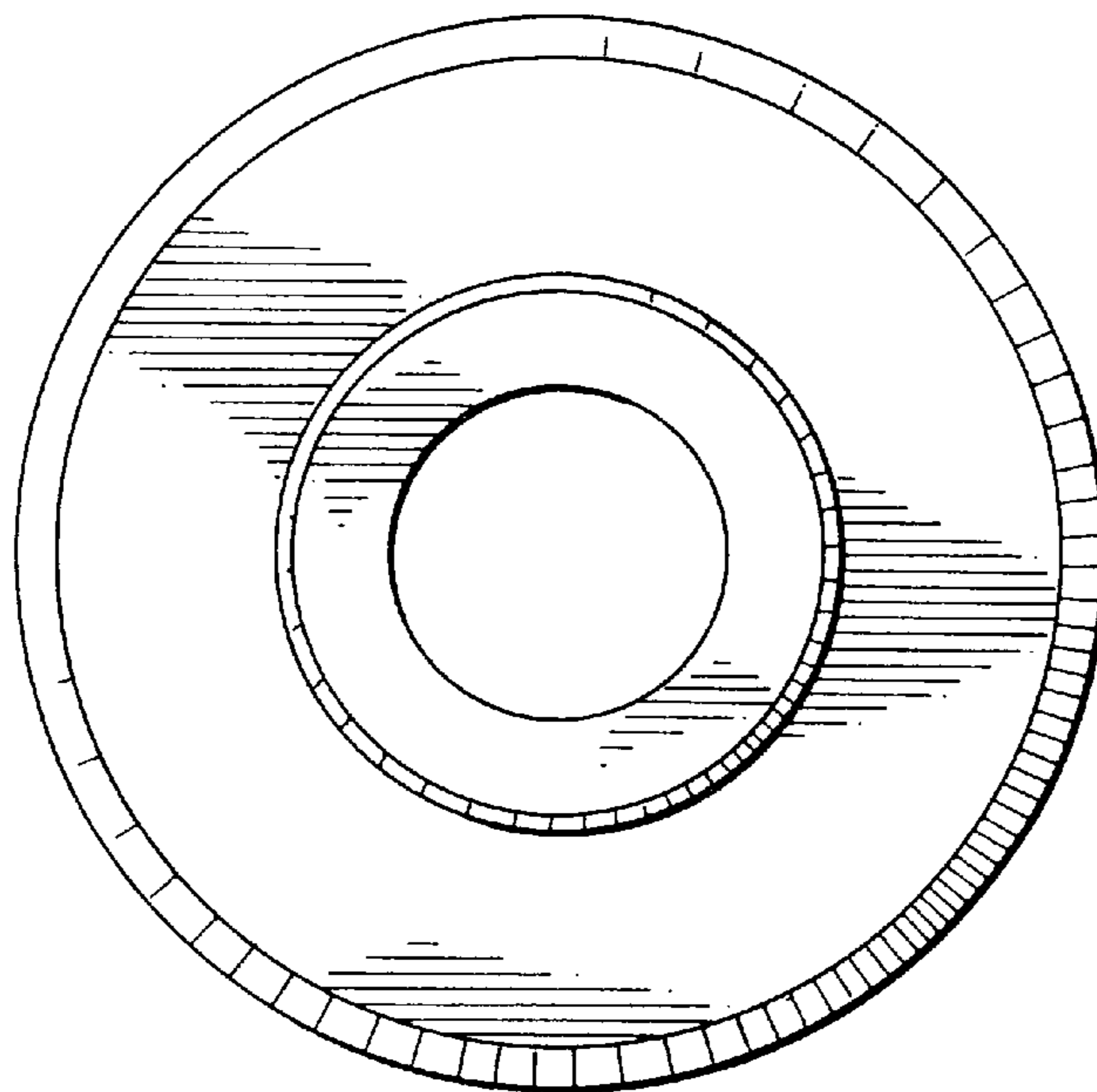


FIG. 8

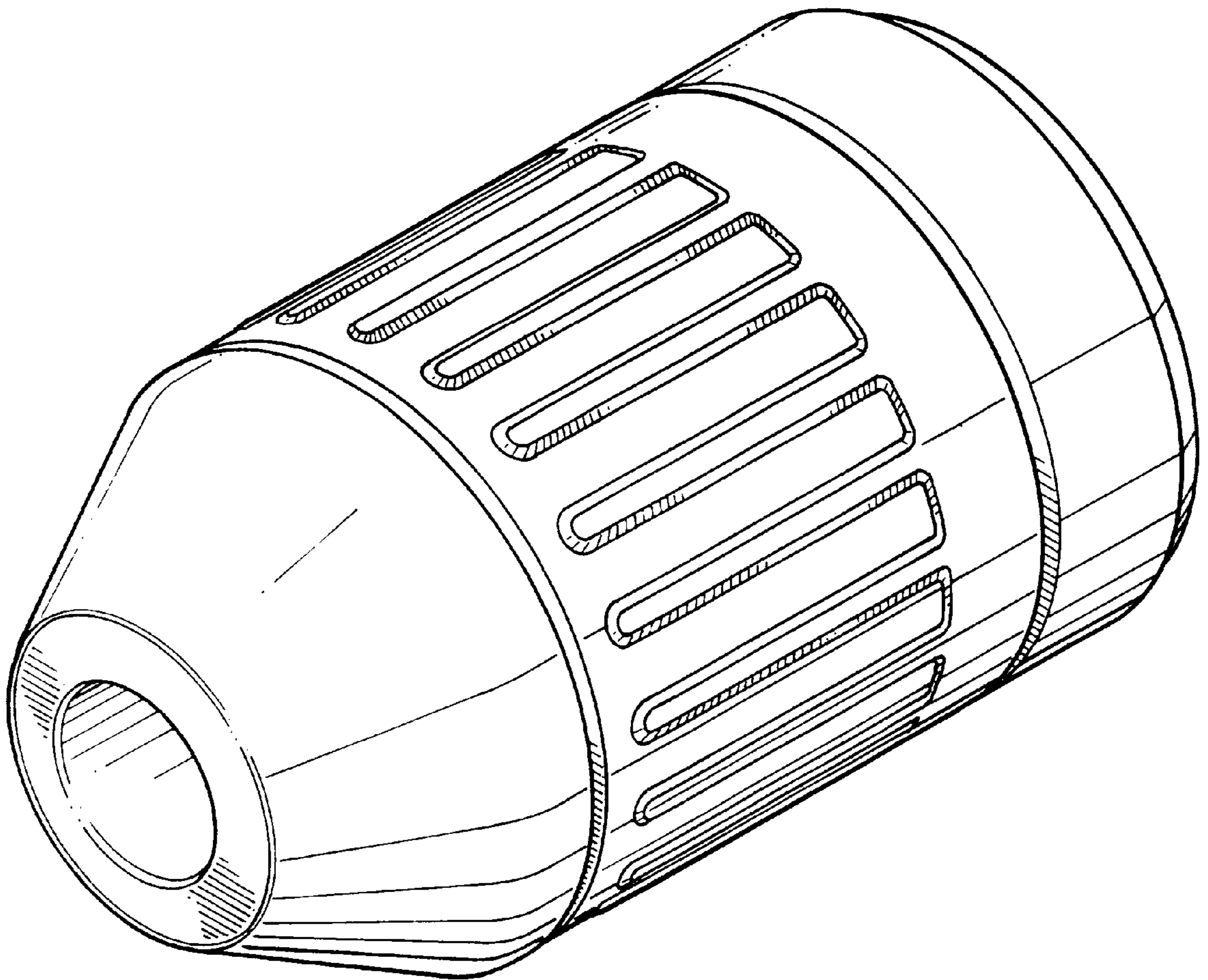


FIG. 5

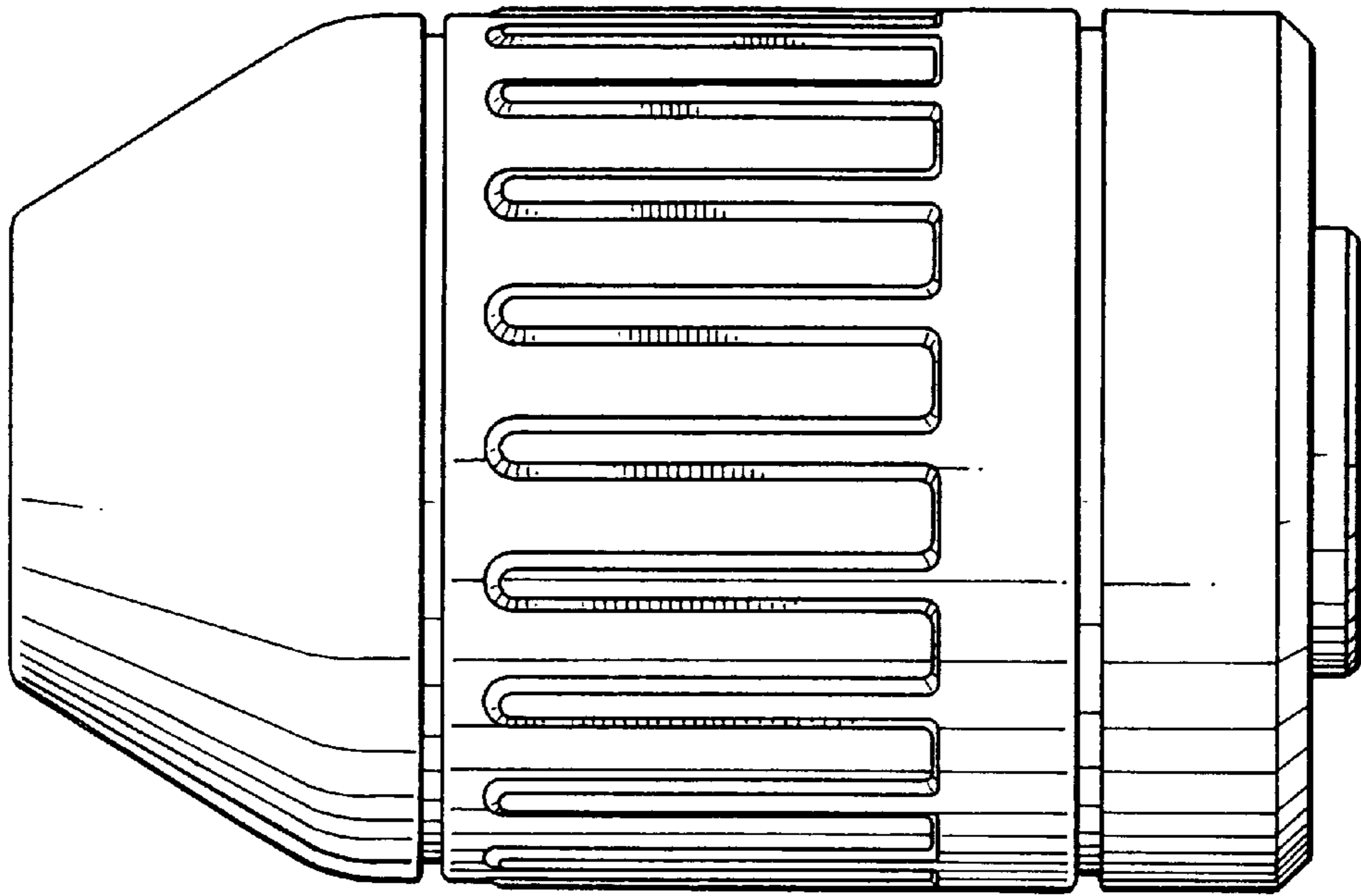


FIG. 6

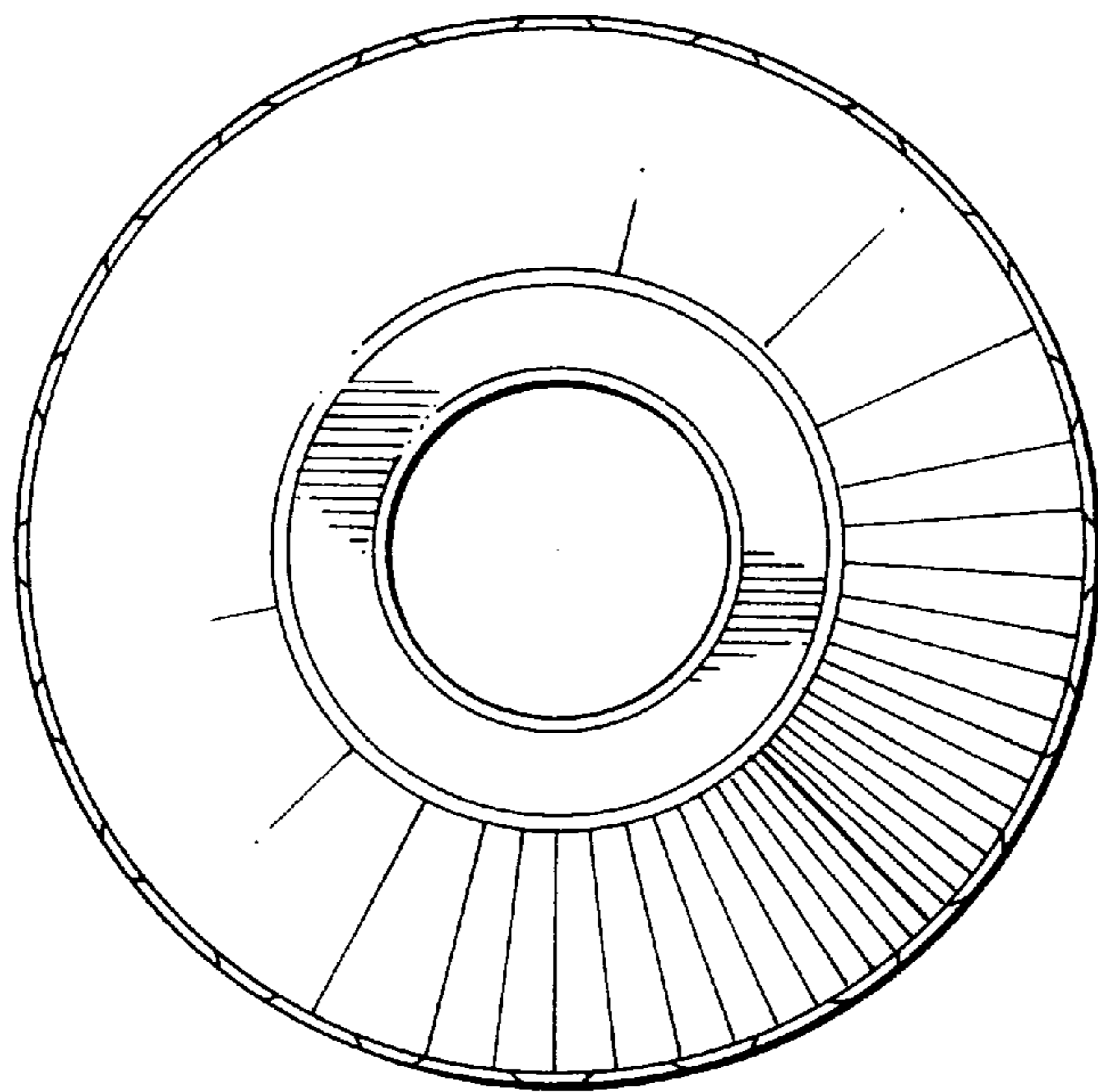


FIG. 7