



US00D421610S

United States Patent [19]
Ghalebi

[11] **Patent Number: Des. 421,610**
[45] **Date of Patent: ** Mar. 14, 2000**

[54] **SET TOP TELEVISION ANTENNA**
[75] Inventor: **Mehrtash Ghalebi**, Yarnfield, United Kingdom
[73] Assignee: **RDI Electronics, Inc.**, Valhalla, N.Y.
[**] Term: **14 Years**
[21] Appl. No.: **29/101,141**
[22] Filed: **Feb. 24, 1999**
[51] **LOC (6) Cl.** **14-03**
[52] **U.S. Cl.** **D14/235; D14/230**
[58] **Field of Search** D14/230-238;
343/702, 833, 712, 872, 908, 878, 840,
725, 870, 805, 726, 786, 823, 795, 713,
708, 882, 774, 916

5,764,194 6/1998 Brown 343/726

Primary Examiner—Louis S. Zarfes
Assistant Examiner—G. Andoll
Attorney, Agent, or Firm—Morgan, Lewis & Bockius LLP

[57] **CLAIM**

The ornamental design for a set top television antenna, as shown and described.

DESCRIPTION

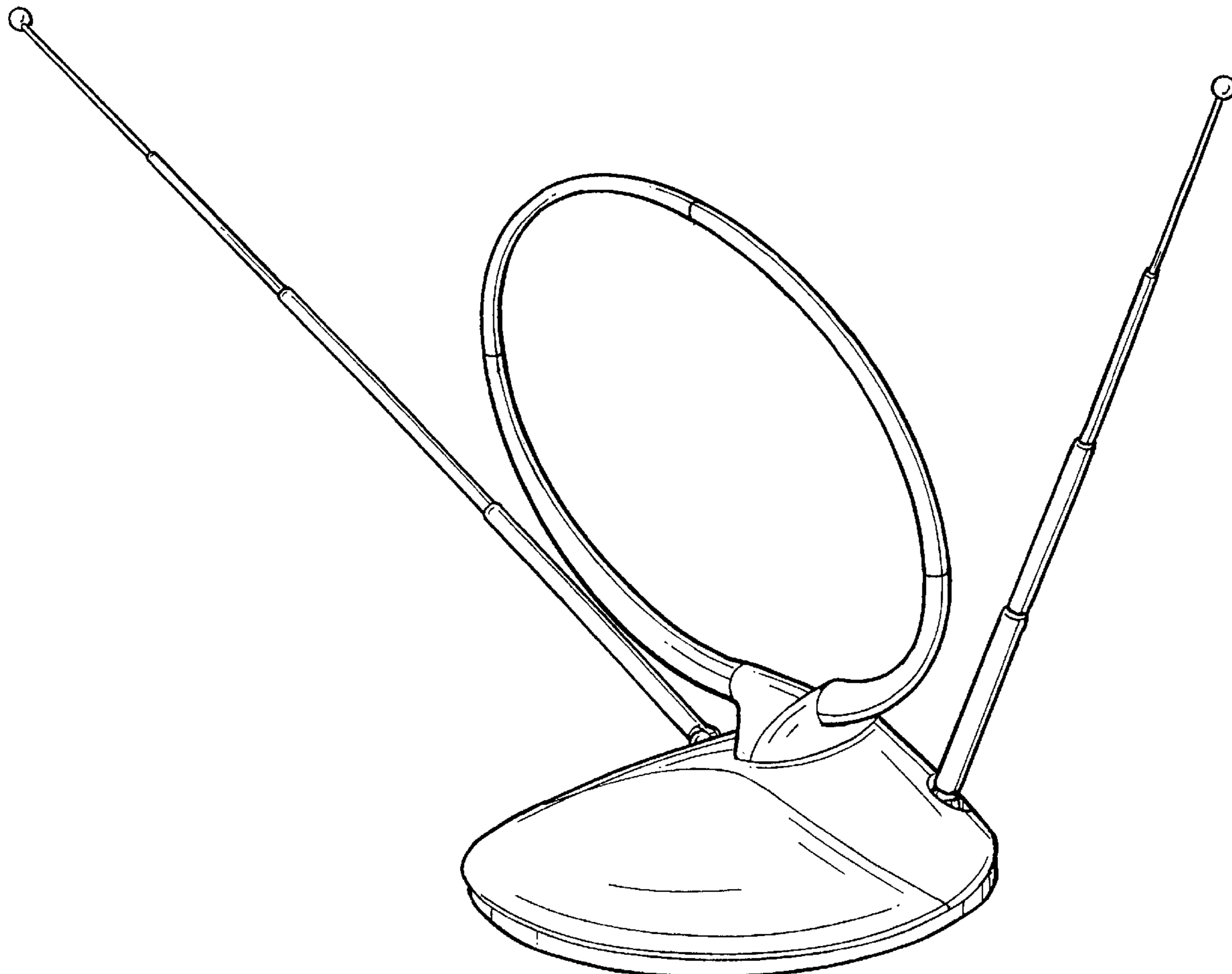
FIG. 1 is a front perspective view a set top television antenna embodying the instant design;
FIG. 2 is a front view of the set top television antenna of FIG. 1;
FIG. 3 is a left side view of the set top television antenna of FIG. 1;
FIG. 4 is a right side view of the set top television antenna of FIG. 1;
FIG. 5 is a top plan view of the set top television antenna of FIG. 1;
FIG. 6 is a bottom plan view of the set top television antenna of FIG. 1; and,
FIG. 7 is a rear view of the set top television antenna of FIG. 1.

[56] **References Cited**

U.S. PATENT DOCUMENTS

D. 305,661	1/1990	Tai	D14/235
D. 357,021	4/1995	Prince	D14/235
D. 378,368	3/1997	McGreevy	D14/230
2,403,093	7/1946	Lear	343/870
3,739,388	6/1973	Callaghan	343/805

1 Claim, 7 Drawing Sheets



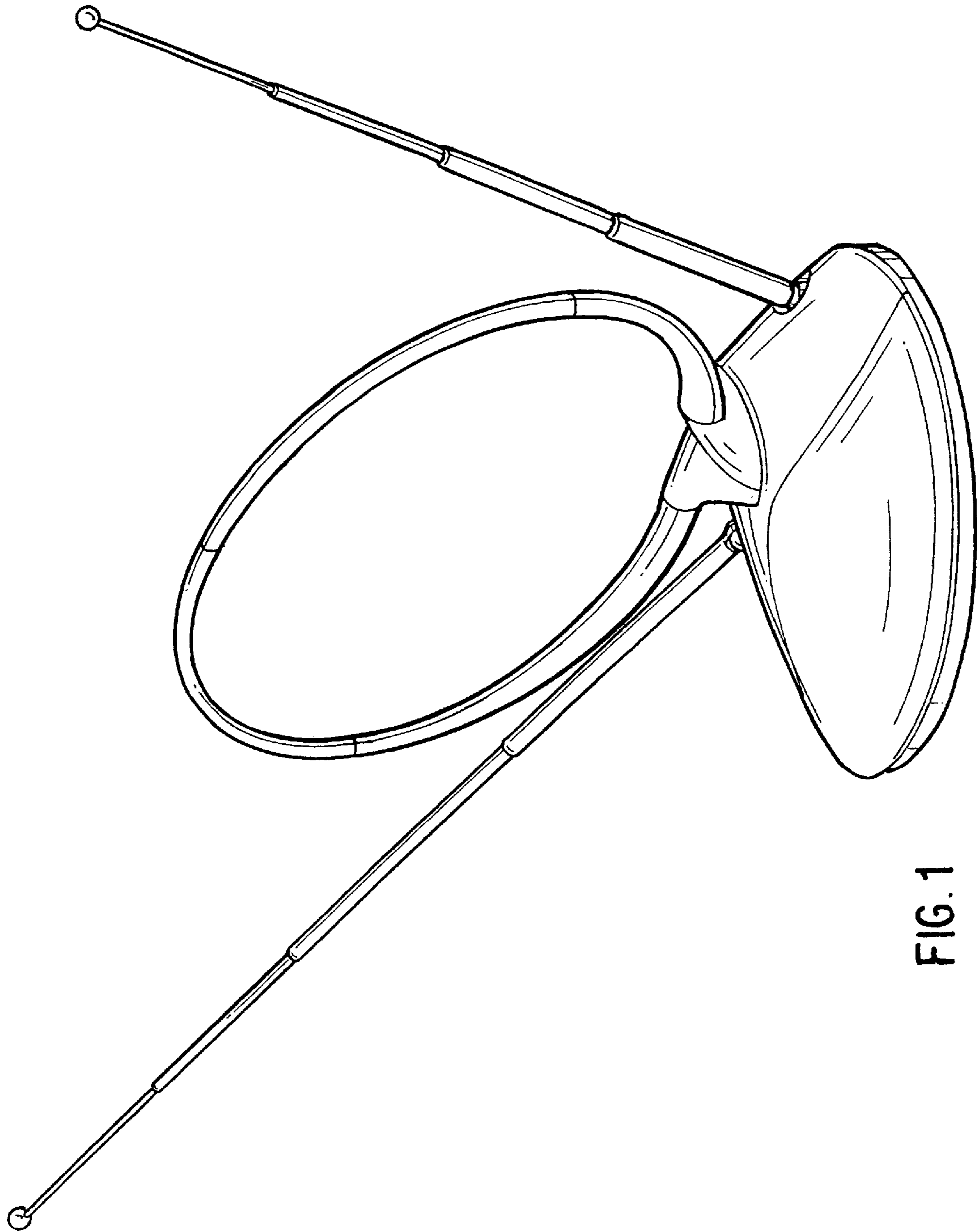


FIG. 1

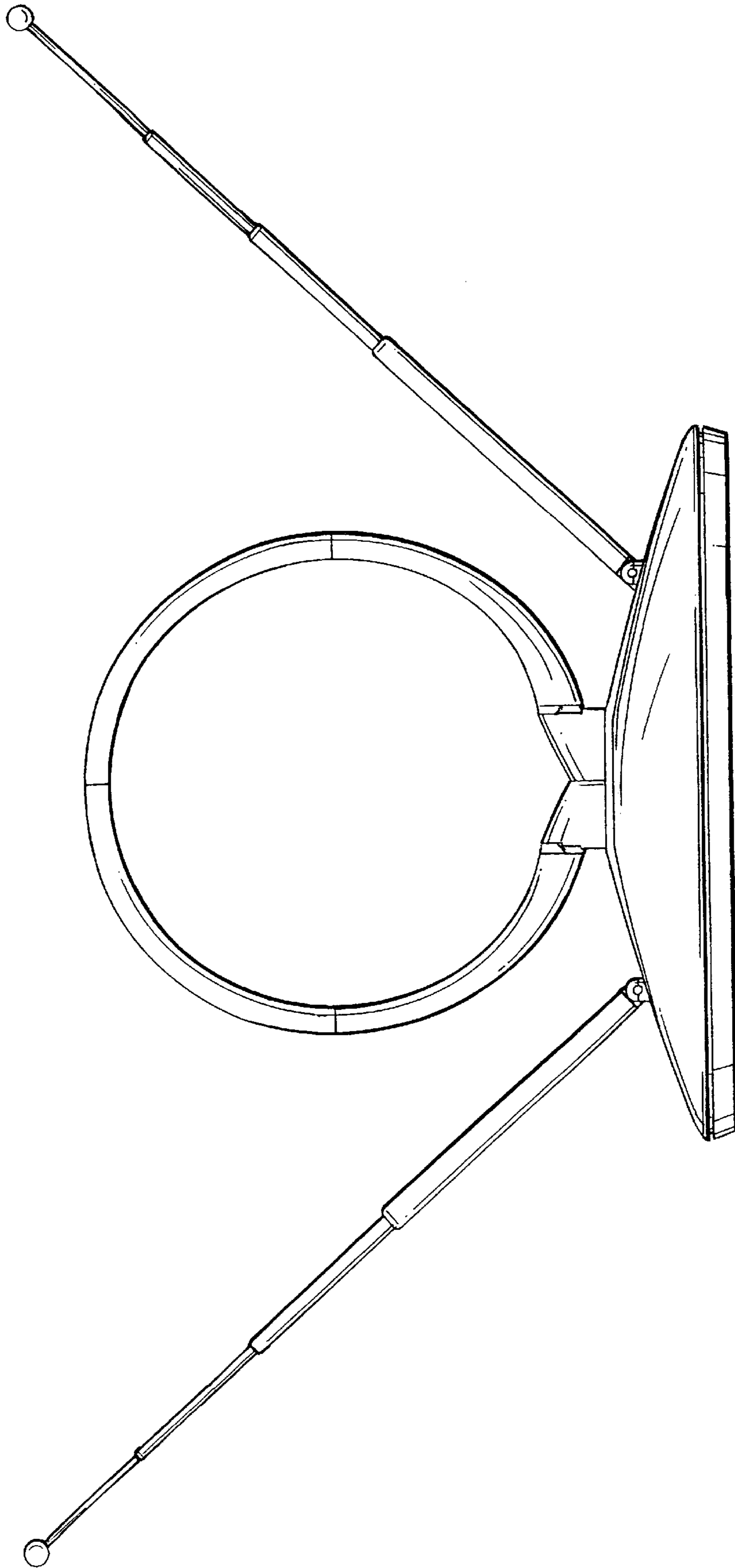


FIG. 2

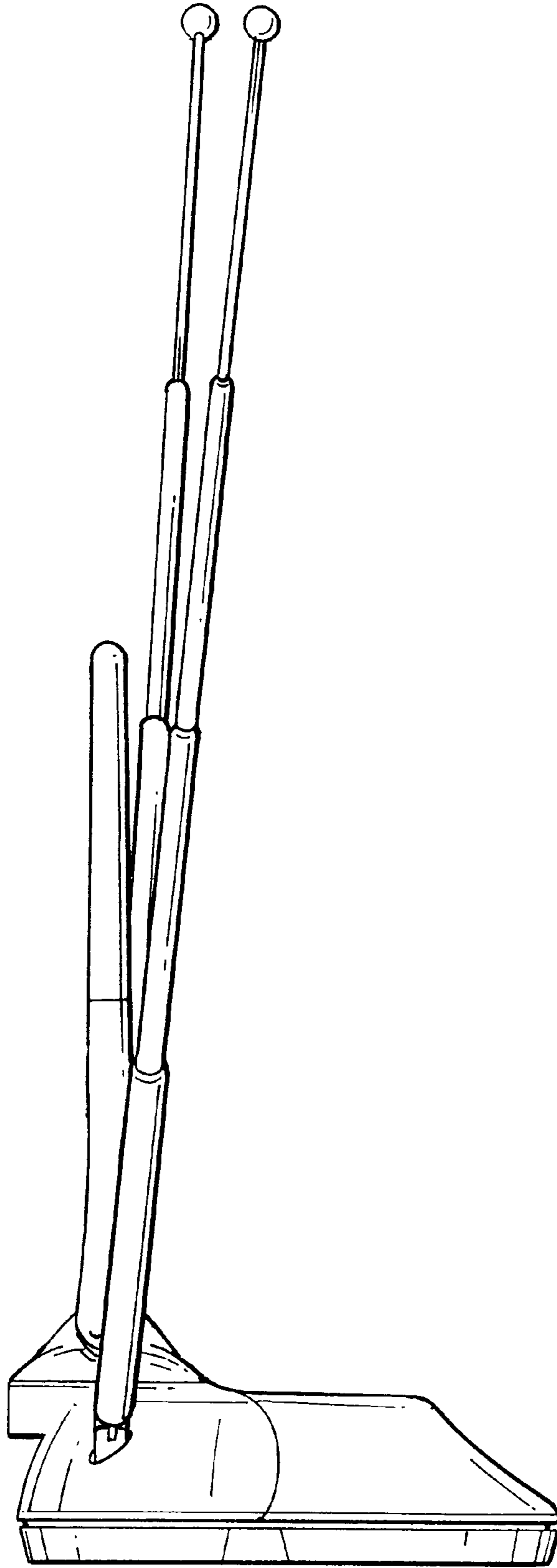


FIG. 3

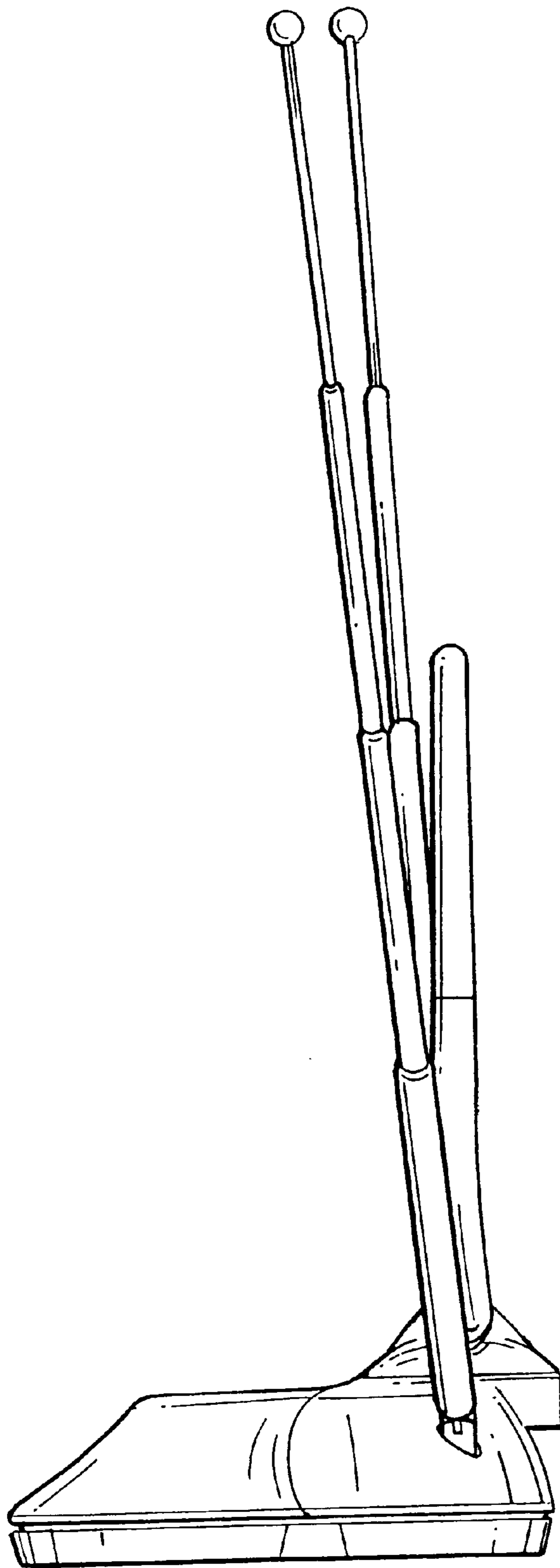


FIG. 4

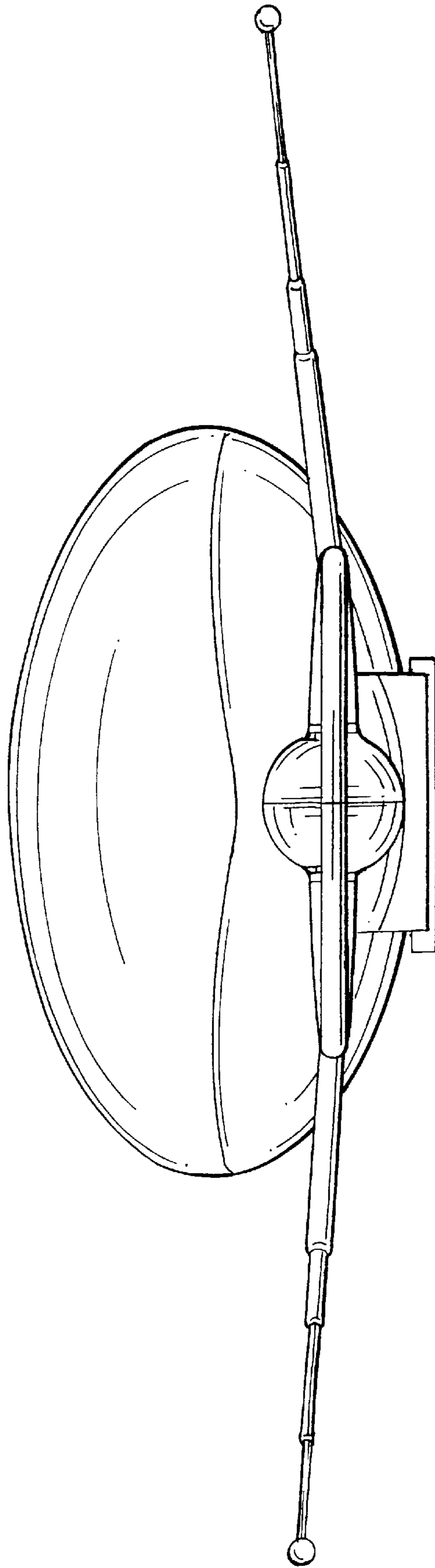


FIG. 5

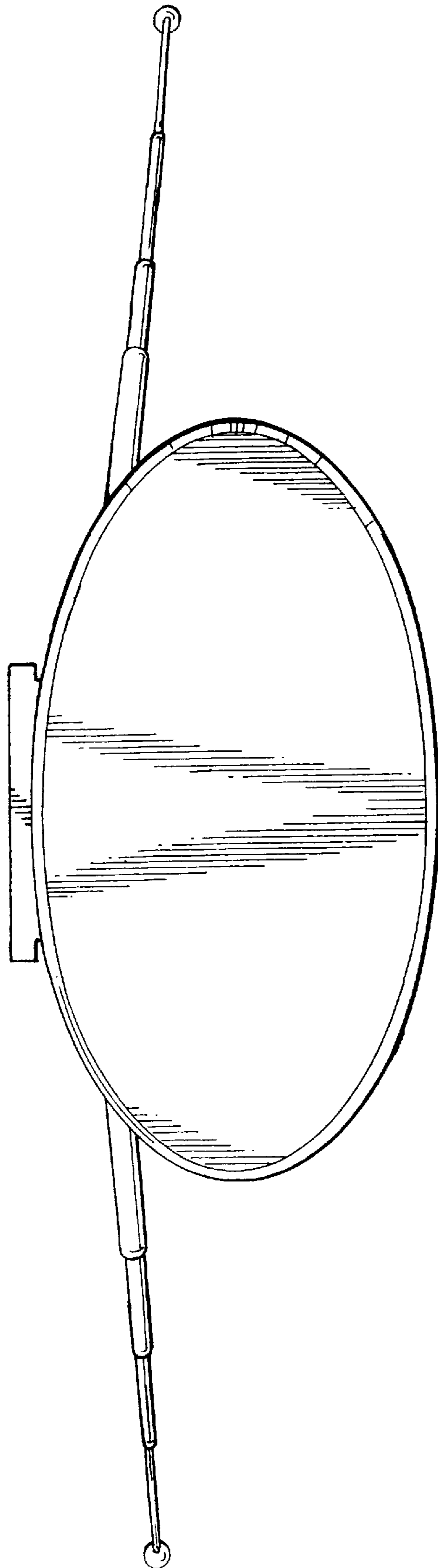


FIG. 6

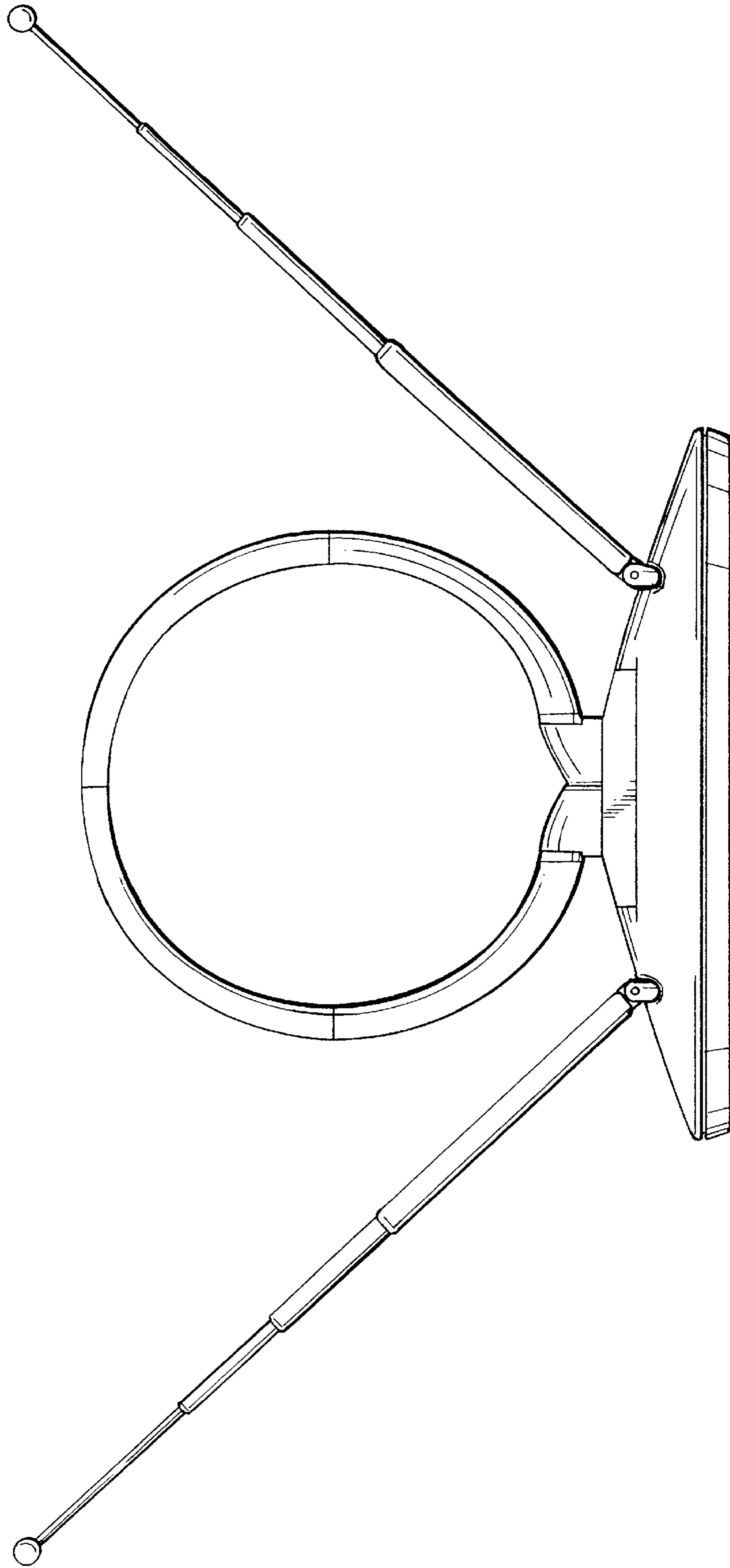


FIG. 7