



US00D421603S

# United States Patent [19] Meurer

[11] **Patent Number: Des. 421,603**

[45] **Date of Patent: \*\* Mar. 14, 2000**

[54] **VIDEO COMMUNICATION UNIT**

[75] Inventor: **Eberhard Meurer**, Furtwangen, Germany

[73] Assignee: **S. Siedle & Söhne**, Germany

[\*\*] Term: **14 Years**

[21] Appl. No.: **29/078,375**

[22] Filed: **Oct. 22, 1997**

[30] **Foreign Application Priority Data**

Apr. 24, 1997 [DE] Germany ..... M 97 04 085

[51] **LOC (6) Cl.** ..... **14-03**

[52] **U.S. Cl.** ..... **D14/130**

[58] **Field of Search** ..... D14/137, 138, D14/146, 148, 147, 149-151, 140-142, 240, 241, 129, 130, 101, 113; 379/433-436, 419, 420, 428, 440, 93.17, 916; 348/14, 17, 19

[56] **References Cited**

**U.S. PATENT DOCUMENTS**

D. 307,428 4/1990 Pfeifer et al. .... D14/151

D. 320,985 10/1991 Danielson et al. .... D14/151 X  
D. 354,954 1/1995 Naito et al. .... D14/130  
D. 383,750 9/1997 Disanto et al. .... D14/151

*Primary Examiner*—Jeferey Asch  
*Attorney, Agent, or Firm*—Ira S. Dorman

[57] **CLAIM**

The ornamental design for a video communication unit, as shown.

**DESCRIPTION**

FIG. 1 is a front perspective view of a video communication unit showing my new design;

FIG. 2 is a top plan view thereof;

FIG. 3 is a side elevational view thereof;

FIG. 4 is an opposite side elevational view thereof;

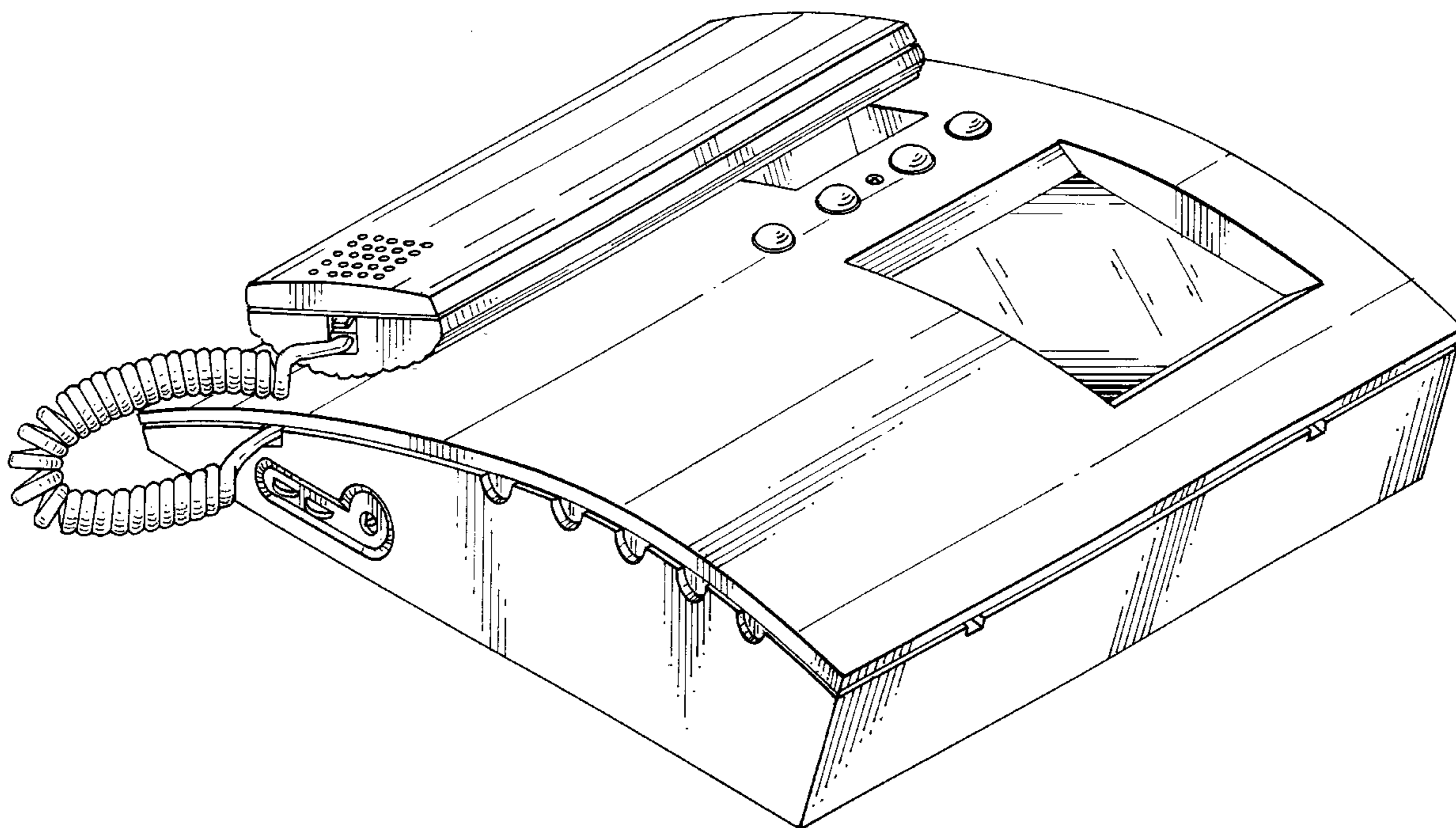
FIG. 5 is an elevational view of one end thereof;

FIG. 6 is an elevational view of the opposite end thereof; and,

FIG. 7 is a bottom plan view thereof.

The broken line showings in FIG. 7 are for illustrative purposes only and form no part of the claimed design.

**1 Claim, 5 Drawing Sheets**



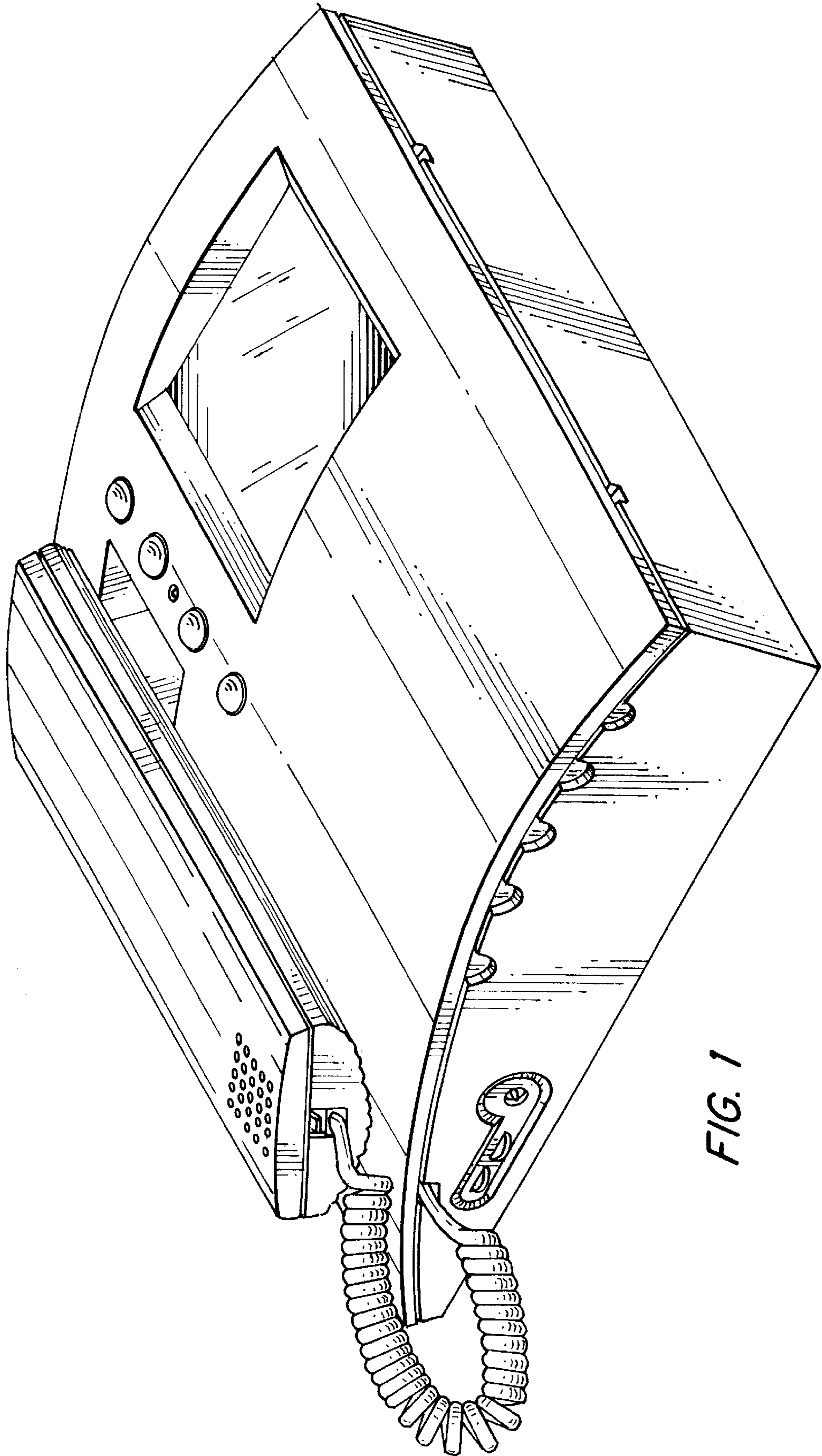


FIG. 1

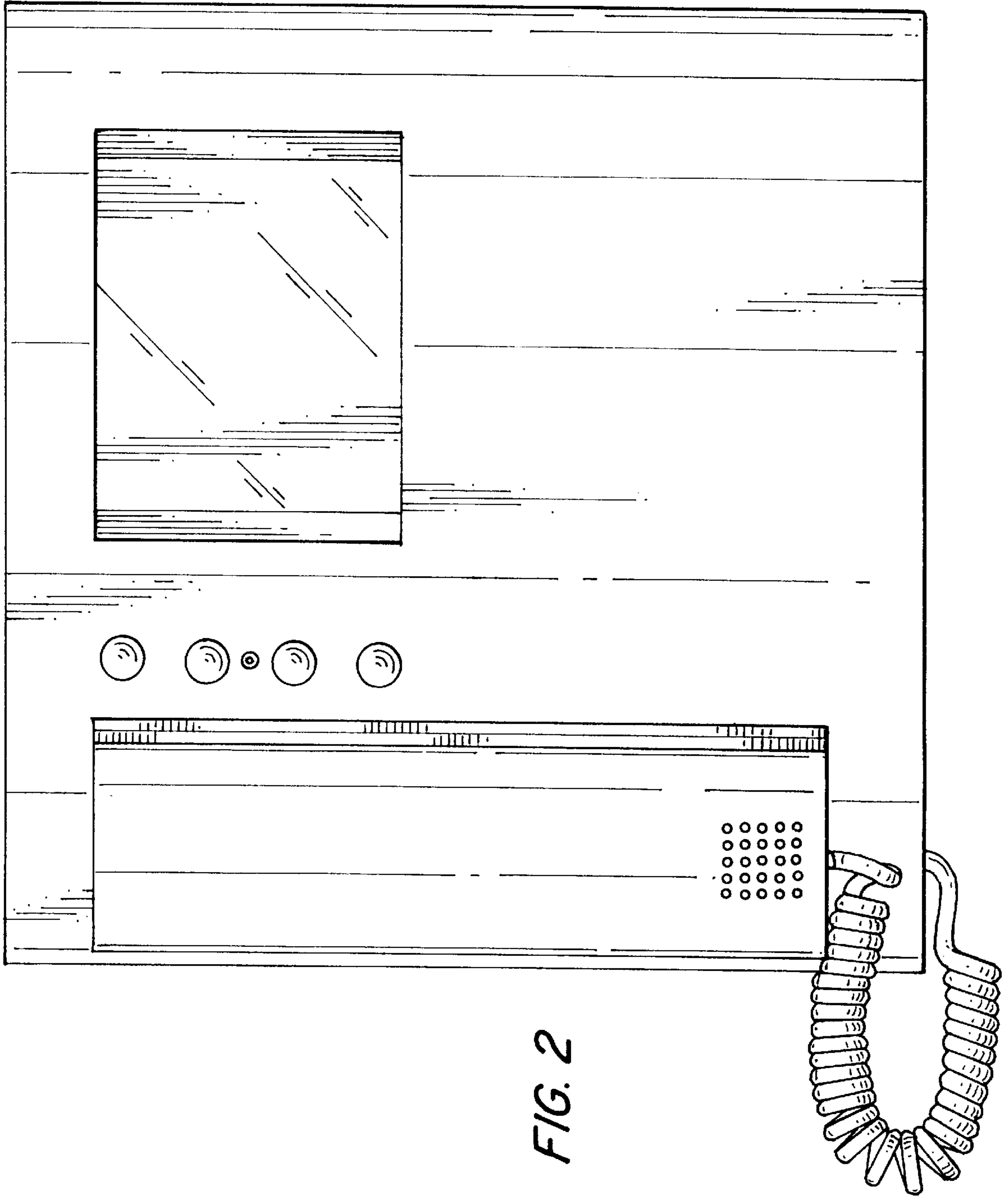


FIG. 2

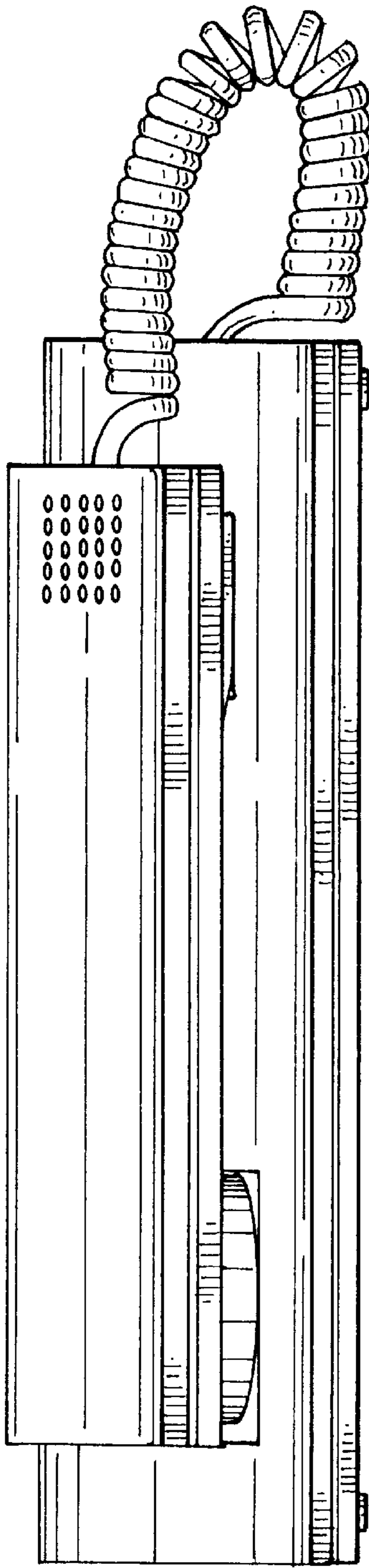


FIG. 3

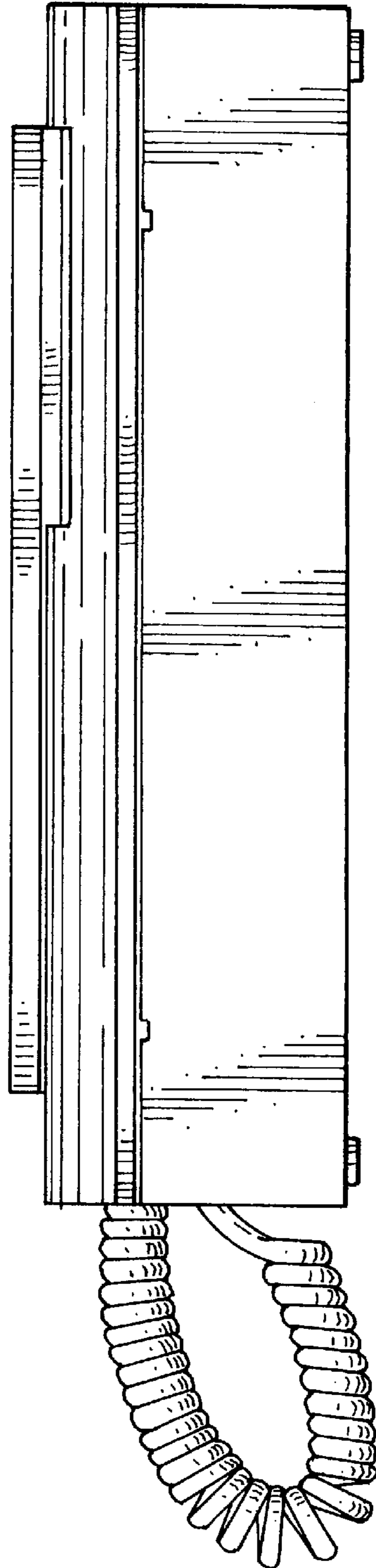


FIG. 4

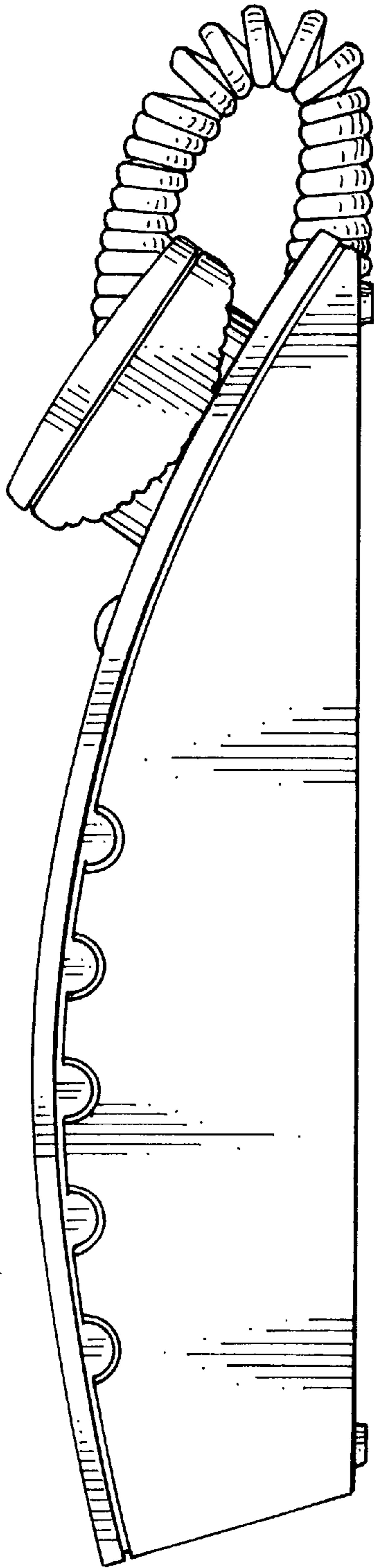


FIG. 5

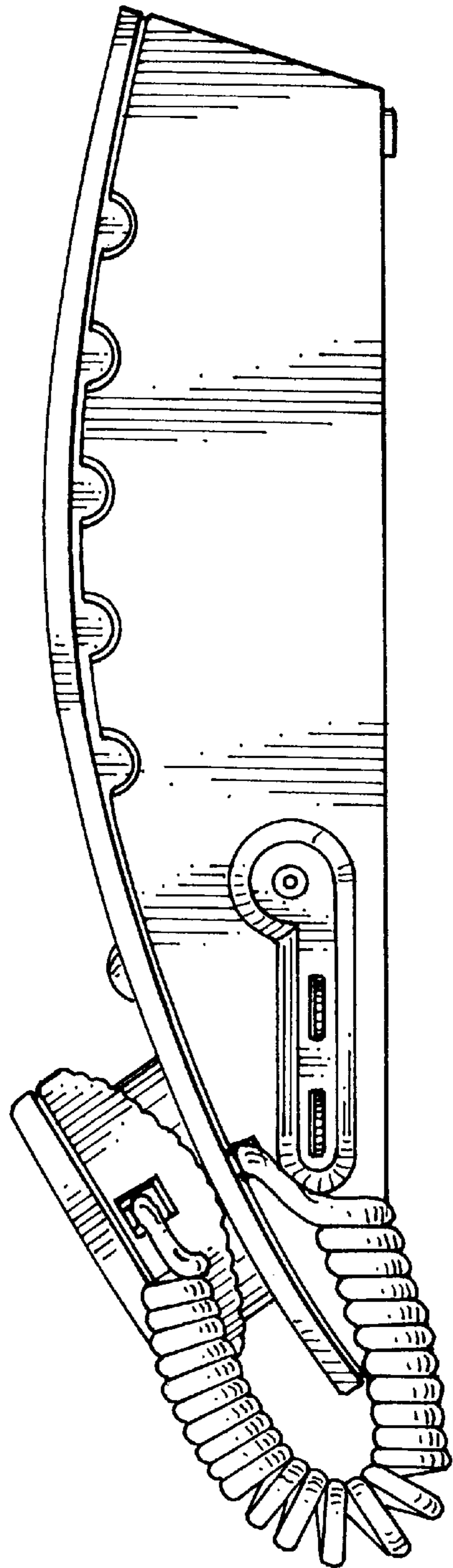


FIG. 6

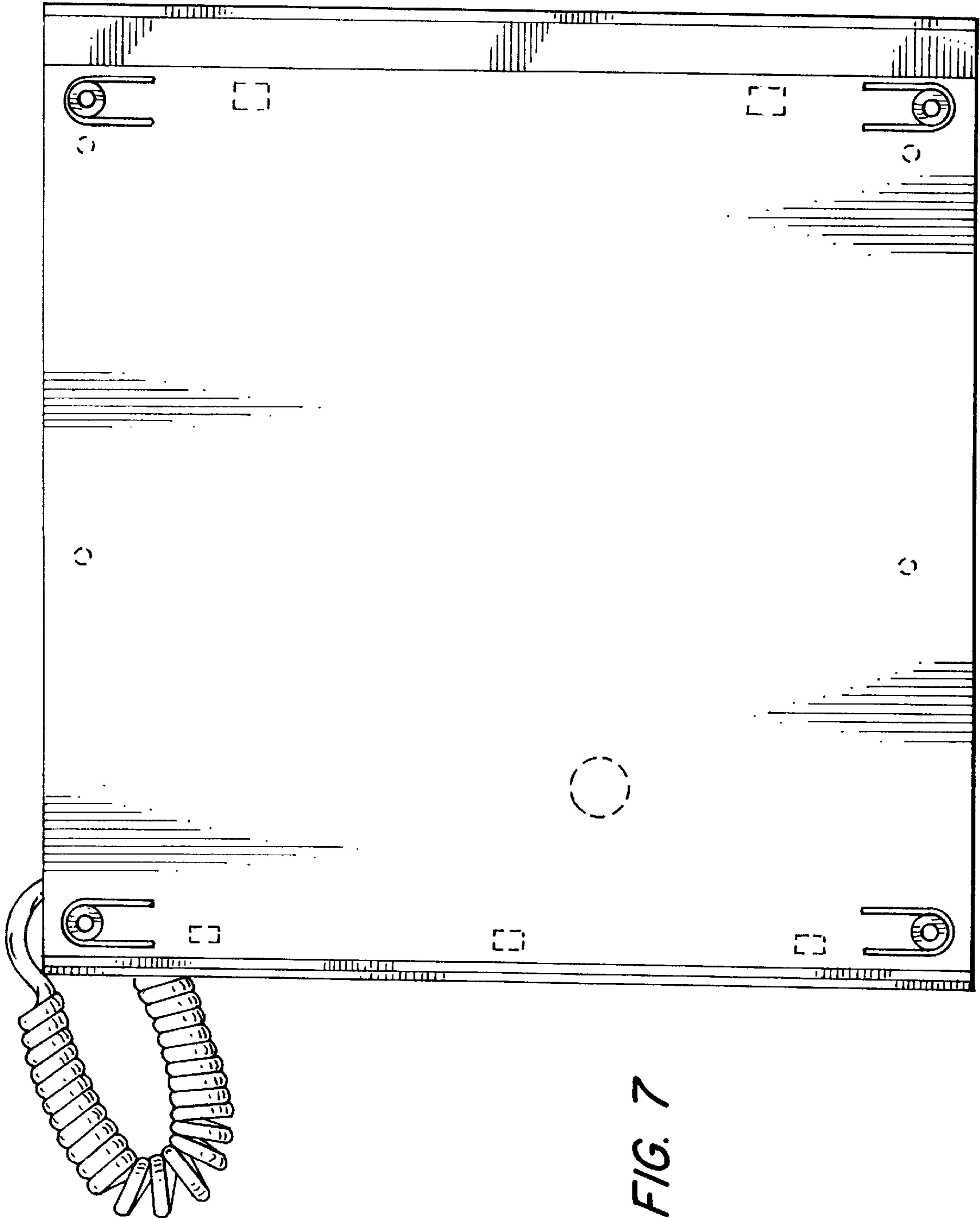


FIG. 7