



US00D421601S

United States Patent [19]
Chou

[11] **Patent Number: Des. 421,601**
[45] **Date of Patent: ** Mar. 14, 2000**

[54] **MONITOR**

D. 277,107 1/1985 Sakamoto D18/4

[75] Inventor: **Johnson Chou**, Taipei, Taiwan

Primary Examiner—Freda Nunn
Attorney, Agent, or Firm—Pro-Techtor International Services

[73] Assignee: **Ta Ta Industry Co., Ltd.**, Tainan, Taiwan

[**] Term: **14 Years**

[57] **CLAIM**

The ornamental design for a monitor, as shown and described.

[21] Appl. No.: **29/099,463**

[22] Filed: **Jan. 21, 1999**

DESCRIPTION

[51] **LOC (6) Cl.** **14-02**

FIG. 1 is the front elevation view of a monitor showing my new design;

[52] **U.S. Cl.** **D14/113; D18/4**

FIG. 2 is the rear elevation view thereof;

[58] **Field of Search** D14/100, 113, D14/124–129; 345/104, 133, 156, 168, 173; 248/918–924; 348/180, 184, 325, 739; 349/1, 2, 11, 62; D18/4

FIG. 3 is the left side view thereof;

FIG. 4 is the right side view thereof;

FIG. 5 is the top plan view thereof;

FIG. 6 is the bottom plan view thereof; and,

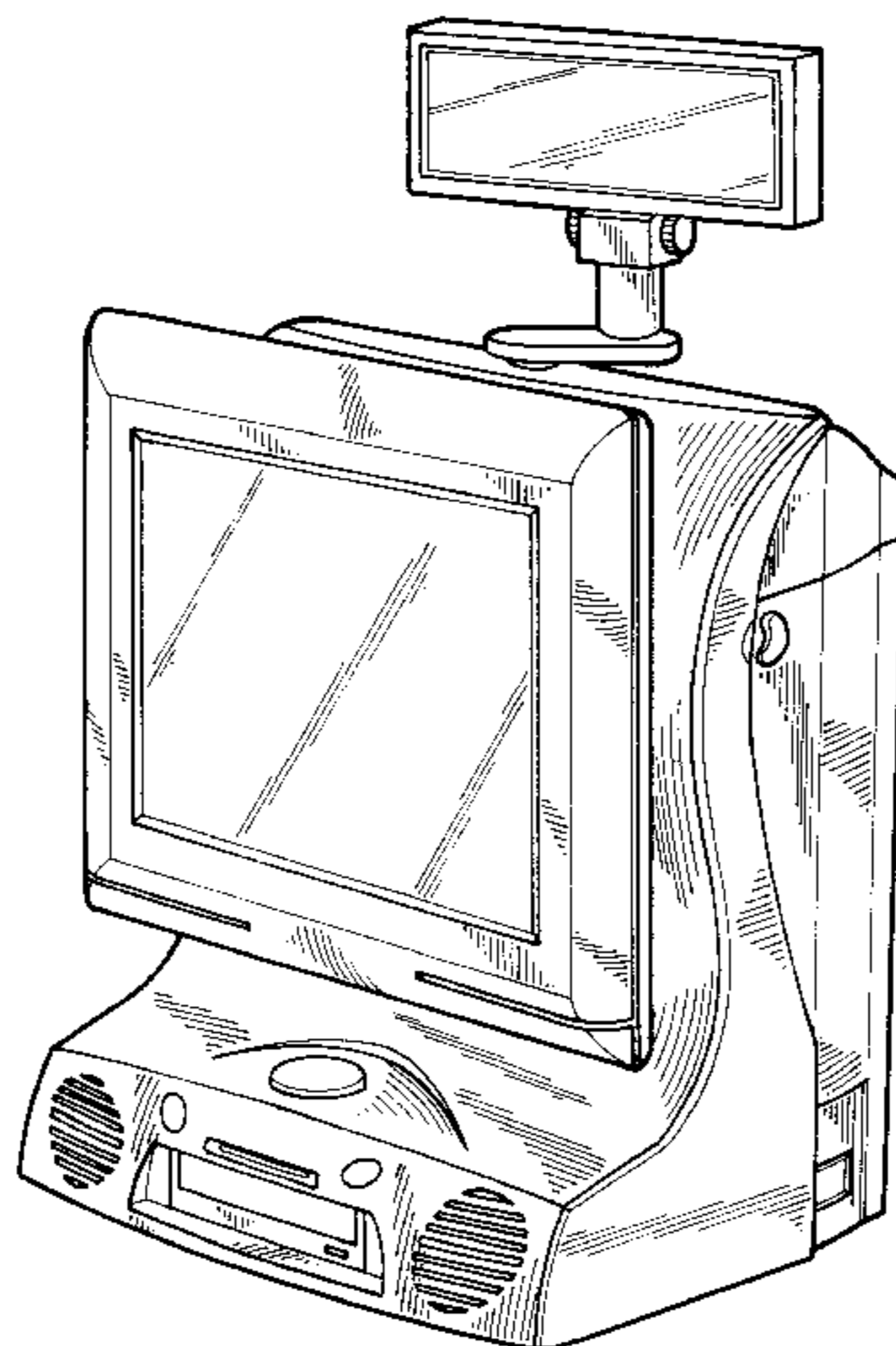
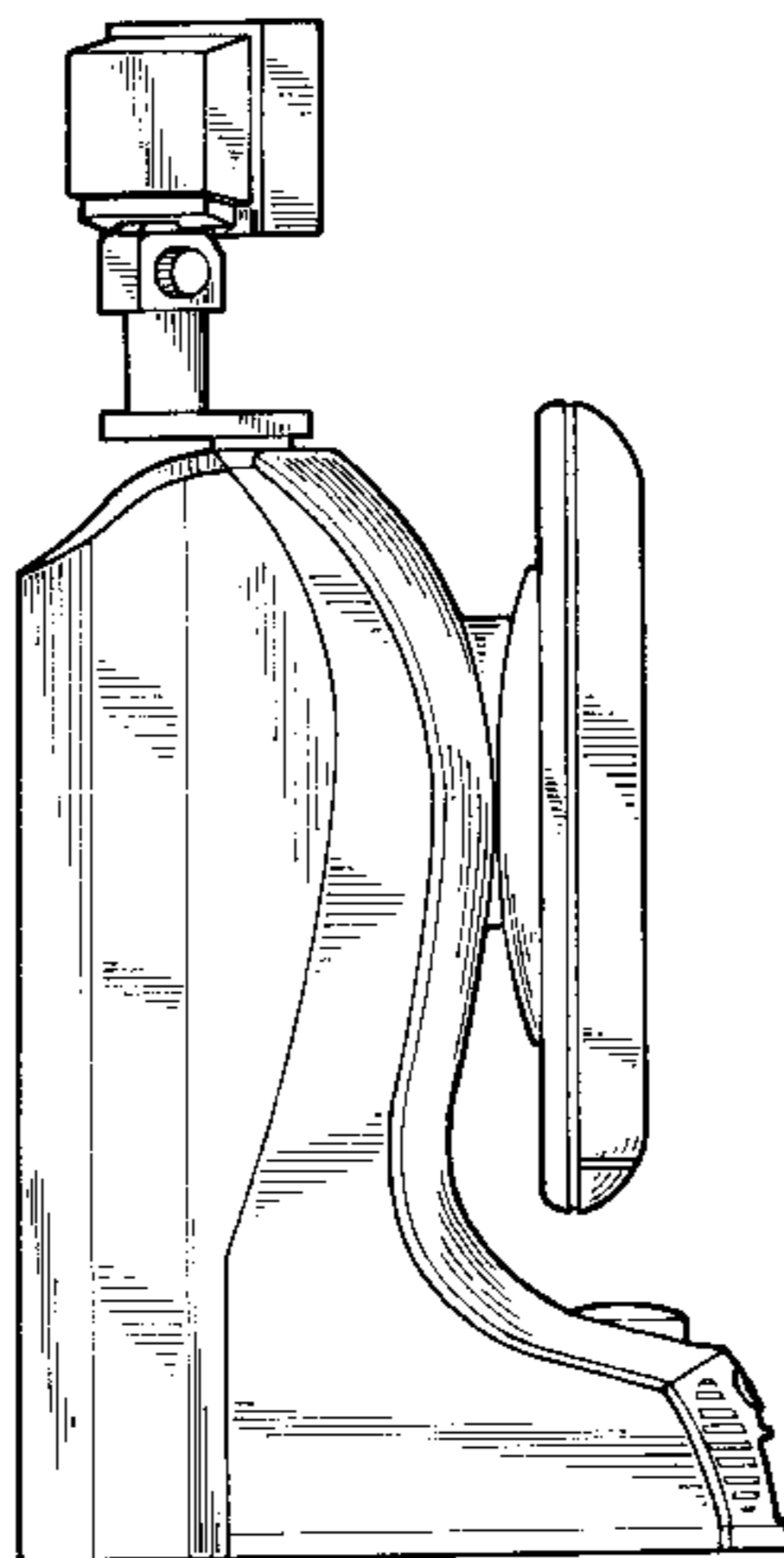
FIG. 7 is the perspective view thereof.

[56] **References Cited**

U.S. PATENT DOCUMENTS

D. 269,441 6/1983 Matsuda et al. D18/4

1 Claim, 4 Drawing Sheets



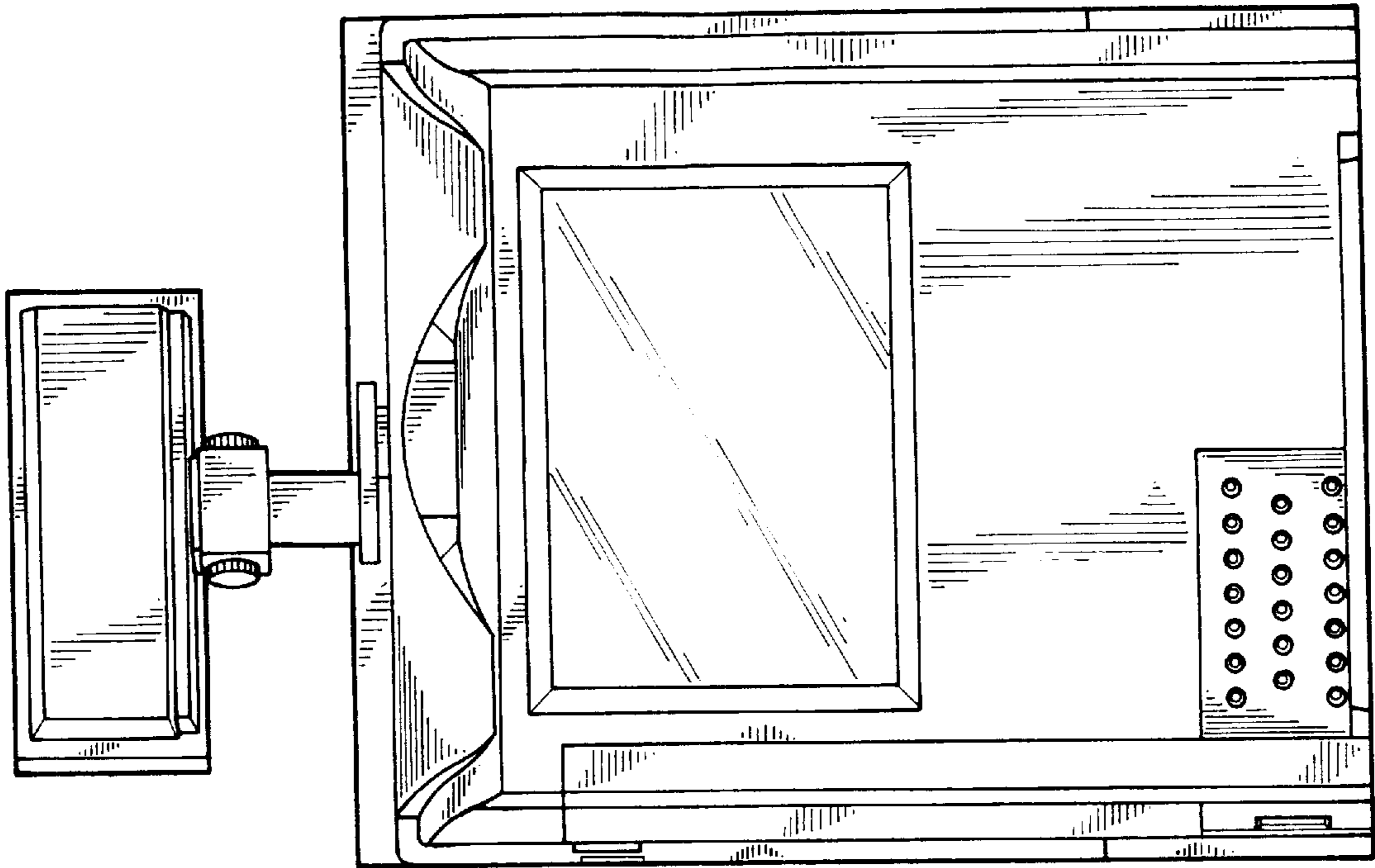


Fig. 2

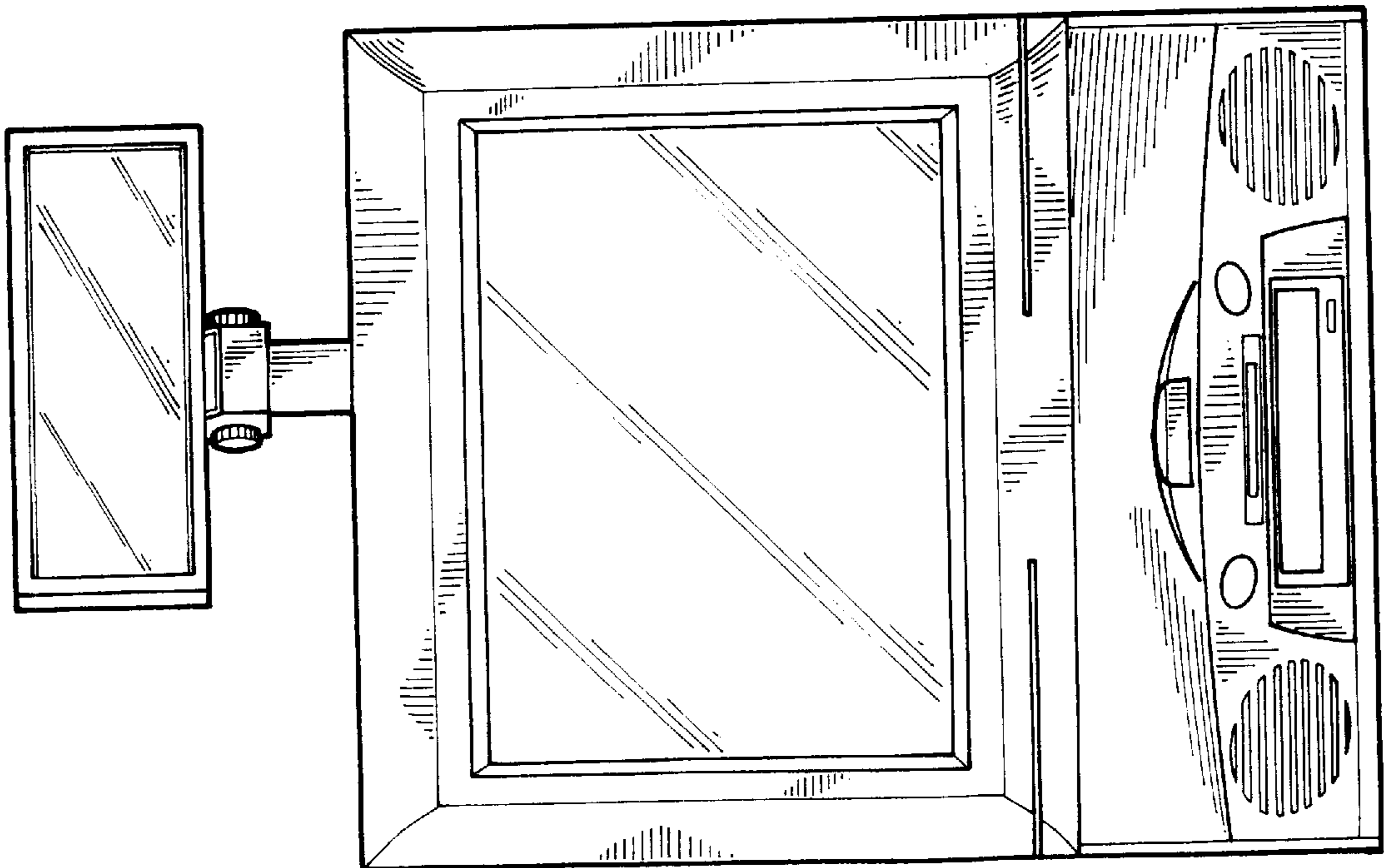


Fig. 1

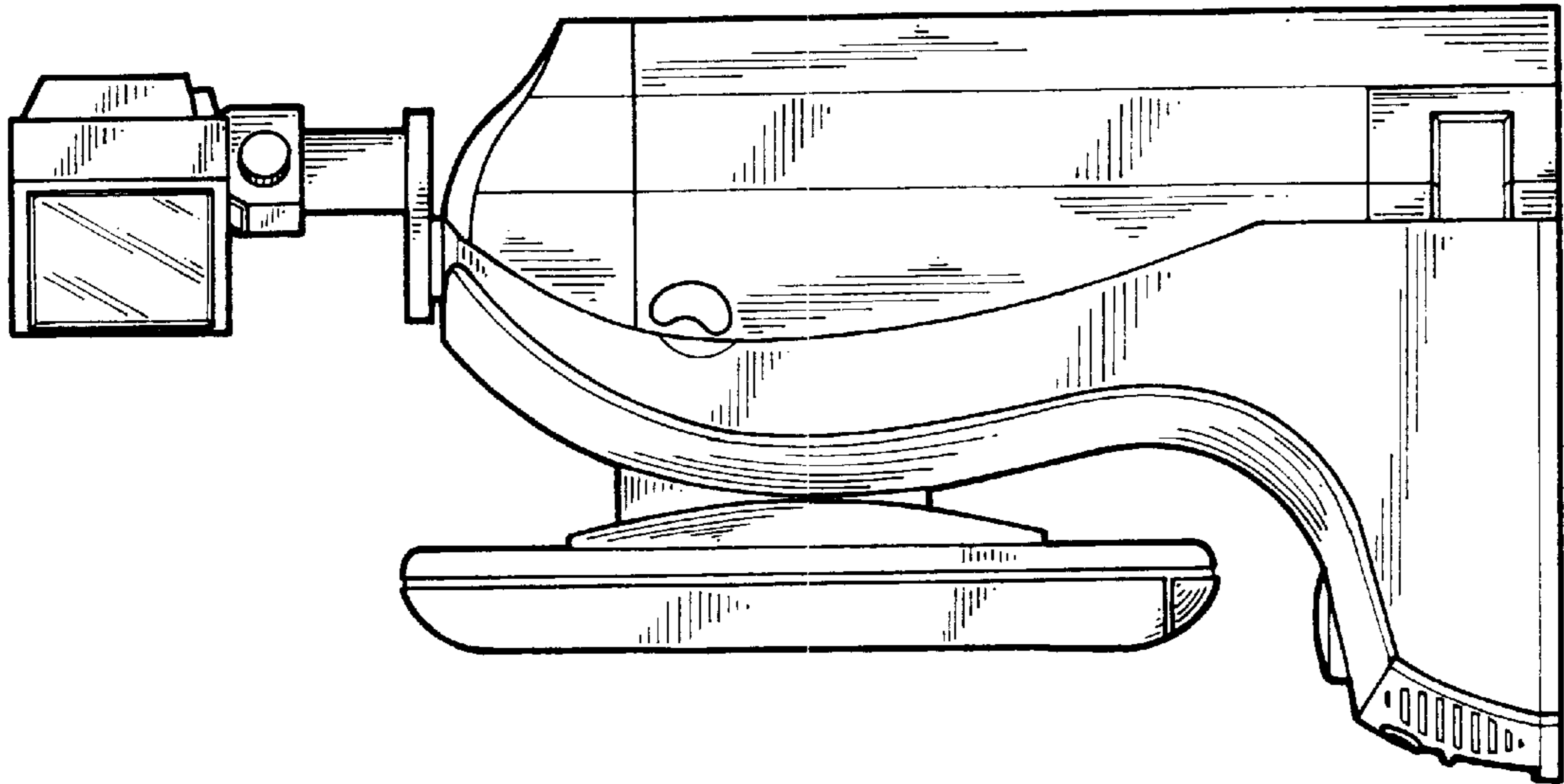


Fig. 4

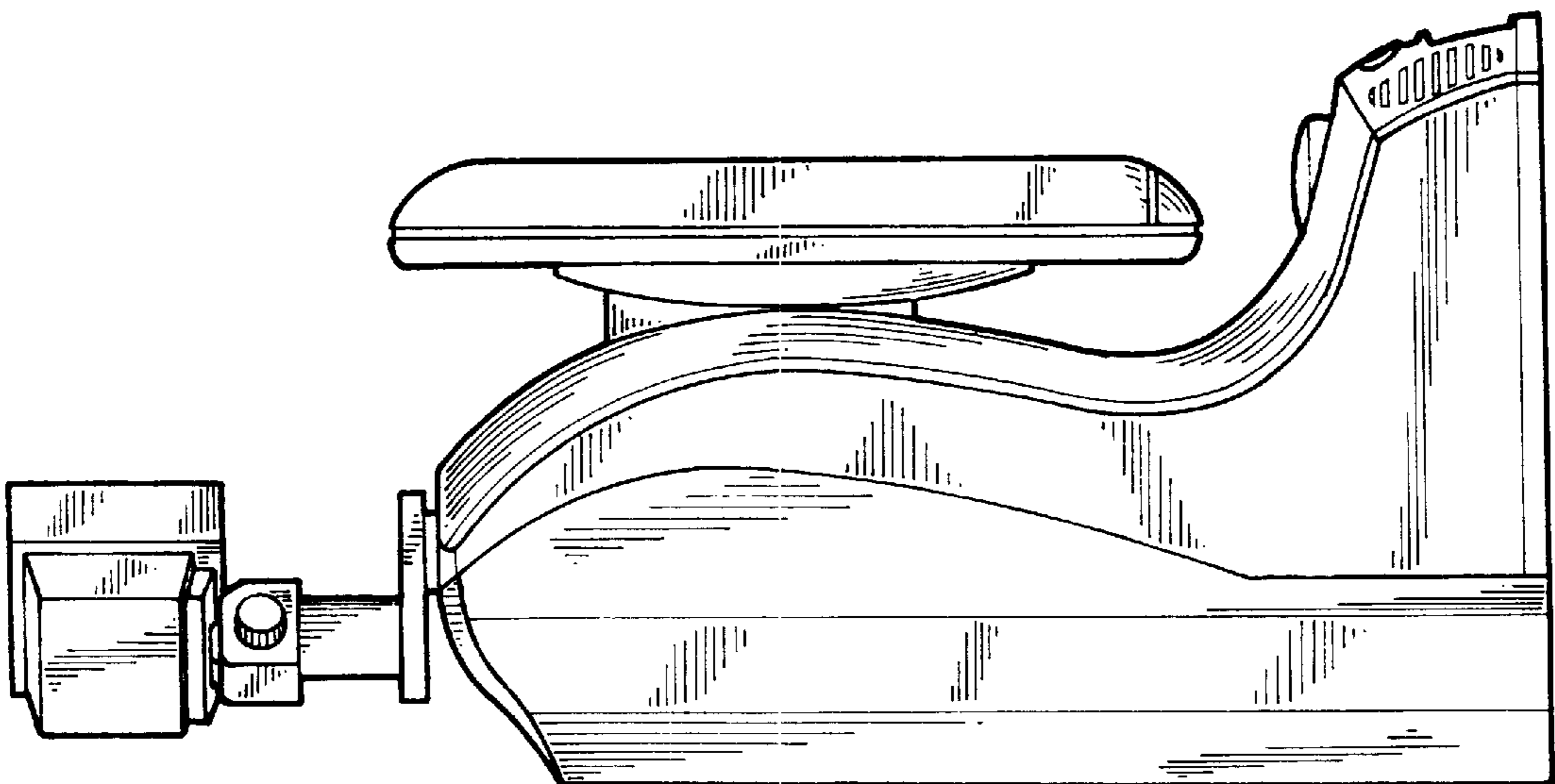


Fig. 3

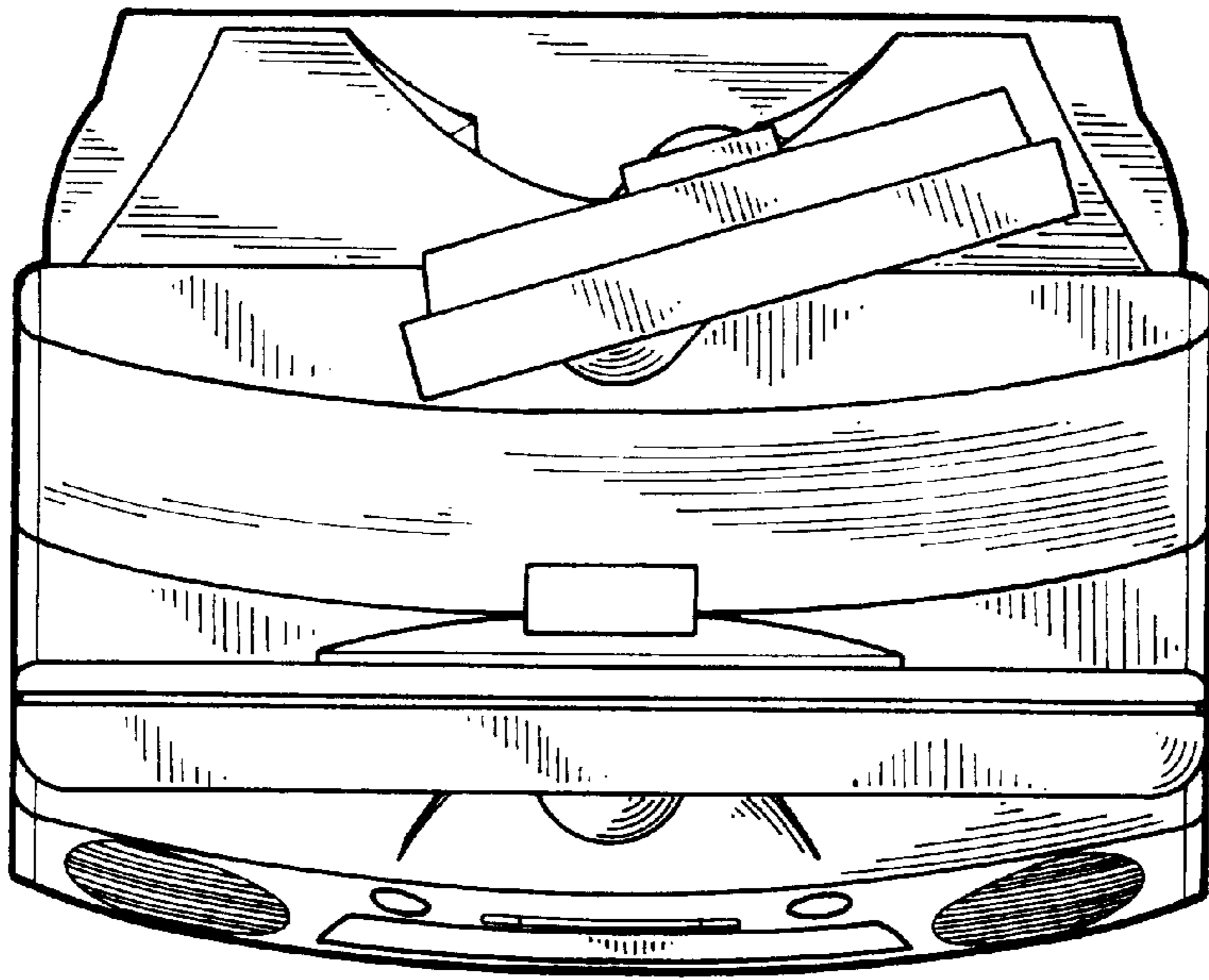


Fig. 5

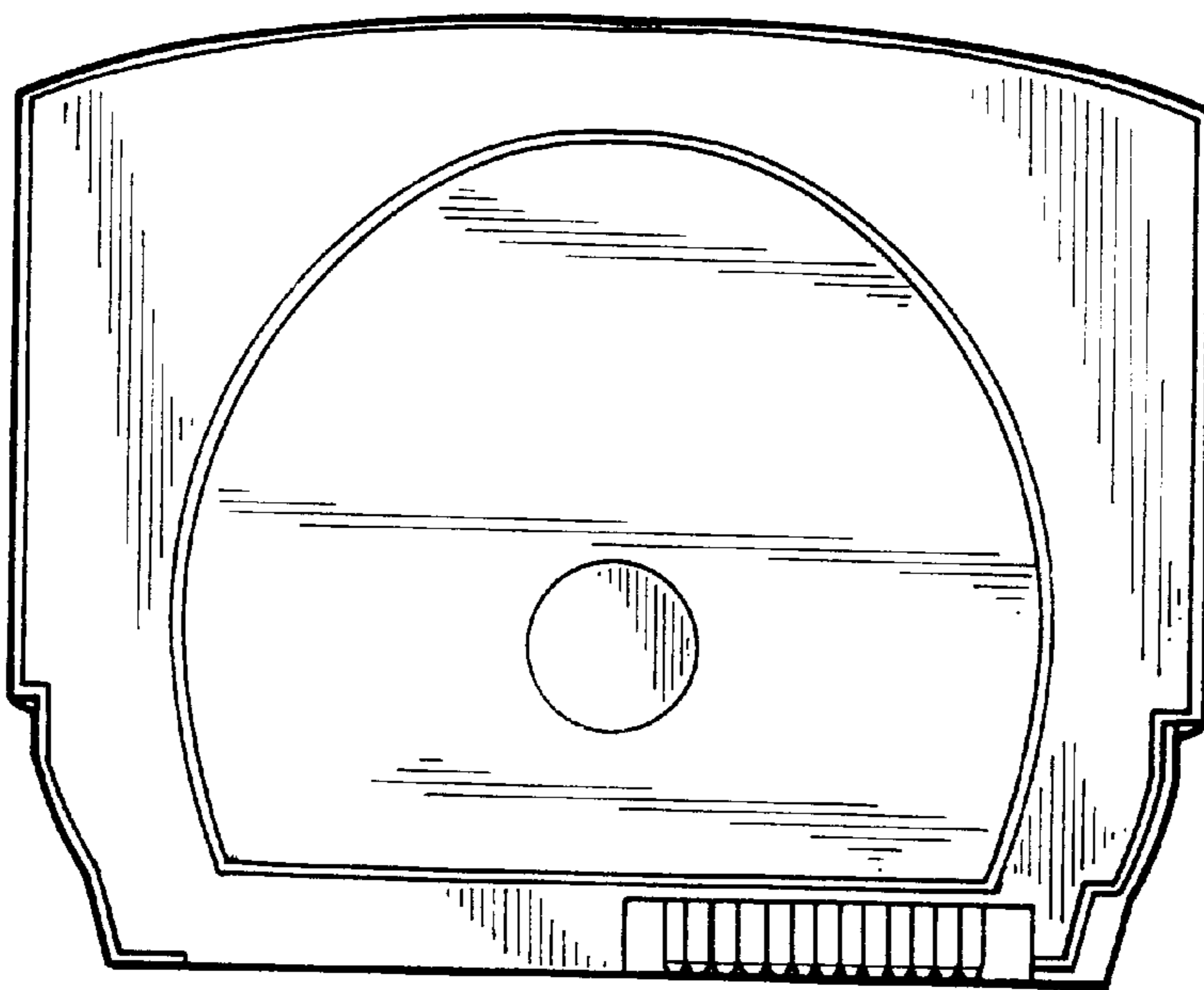


Fig. 6

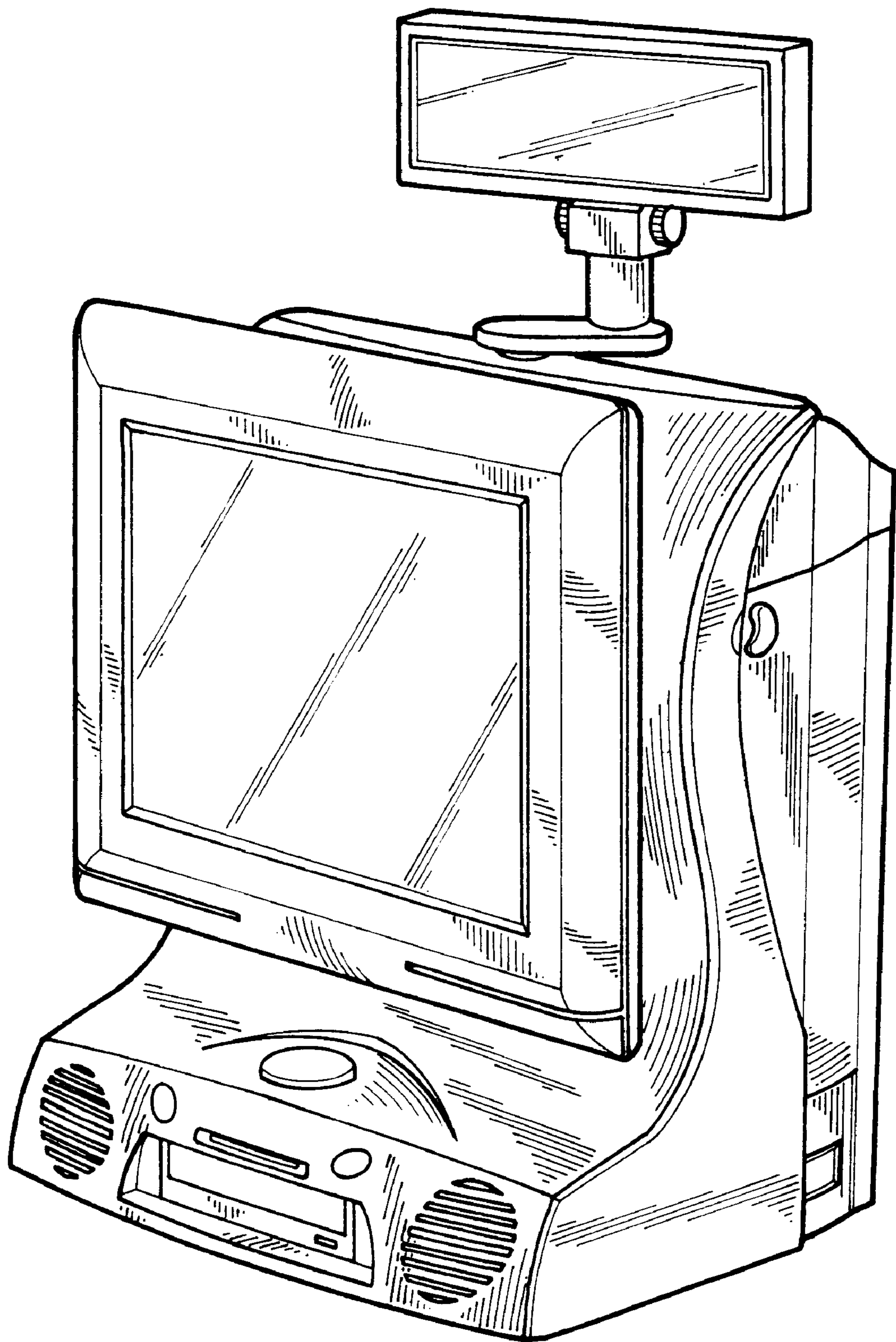


Fig. 7