



US00D421597S

United States Patent [19]

[11] **Patent Number: Des. 421,597**

Oba et al.

[45] **Date of Patent: ** Mar. 14, 2000**

[54] **SEMICONDUCTOR ELEMENT**

Primary Examiner—Brian N. Vinson
Attorney, Agent, or Firm—Foley & Lardner

[75] Inventors: **Haruo Oba; Takuro Hibino; Yoshio Kondo**, all of Tokyo, Japan

[57] **CLAIM**

[73] Assignee: **Sony Corporation**, Tokyo, Japan

The ornamental design for a semiconductor element, as shown and described.

[**] Term: **14 Years**

DESCRIPTION

[21] Appl. No.: **29/086,990**

FIG. 1 is a perspective view of a first embodiment of a semiconductor element showing our new design;

[22] Filed: **Apr. 24, 1998**

FIG. 2 is a top plan view thereof;

[51] **LOC (6) Cl. 13-03**

FIG. 3 is a left side elevational view thereof;

[52] **U.S. Cl. D13/182**

FIG. 4 is a front elevational view thereof;

[58] **Field of Search** D13/182, 105, D13/107, 114, 117; 174/521; 361/679, 728, 736, 737, 742, 752, 802; 439/328, 377

FIG. 5 is a bottom plan view thereof;

FIG. 6 is a right side elevational view thereof; and,

FIG. 7 is a rear elevational view thereof.

[56] **References Cited**

FIG. 8 is a perspective view of a second embodiment of a semiconductor element showing our new design;

FIG. 9 is a top plan view thereof;

FIG. 10 is a left side elevational view thereof;

FIG. 11 is a front elevational view thereof;

FIG. 12 is a bottom plan view thereof;

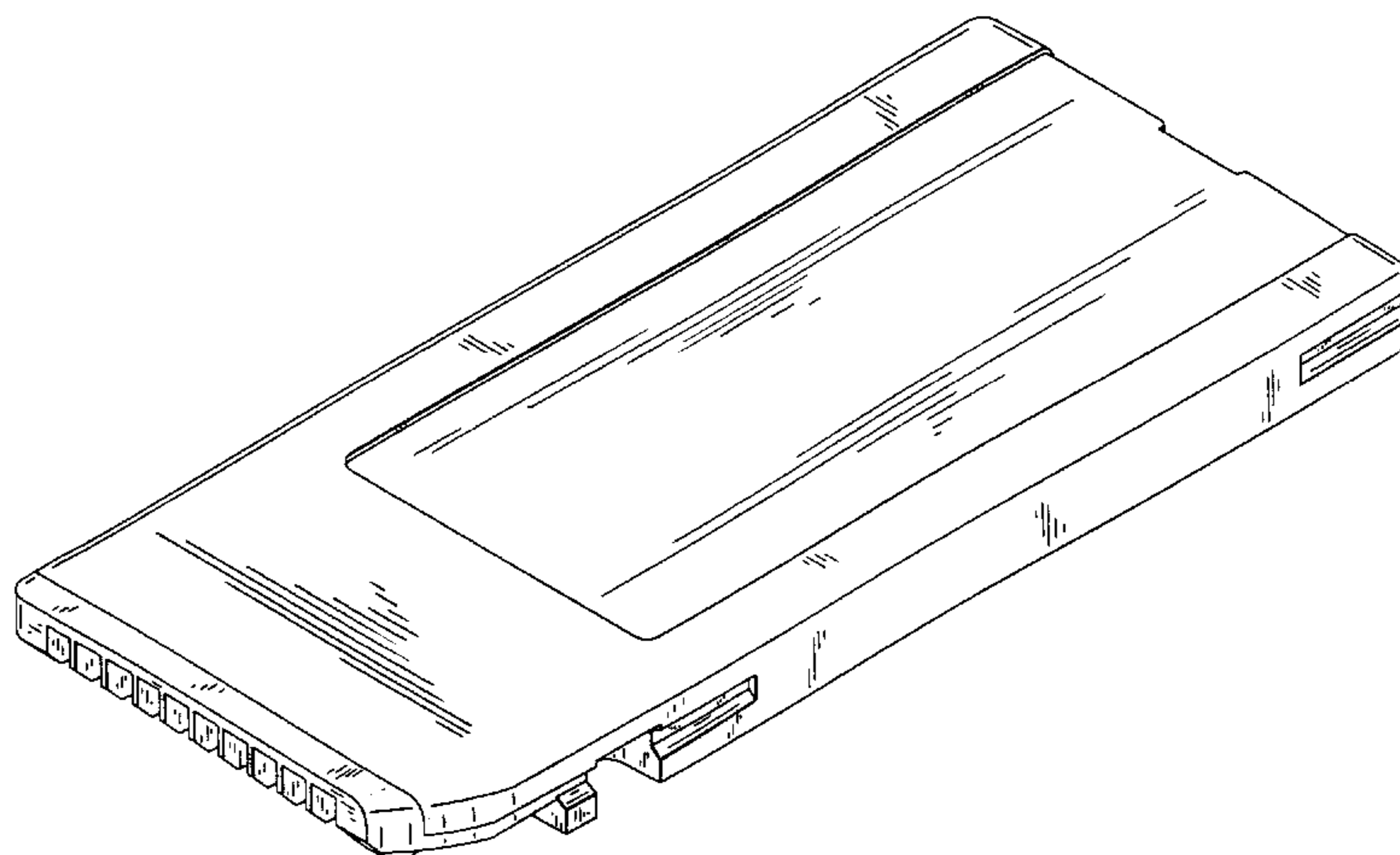
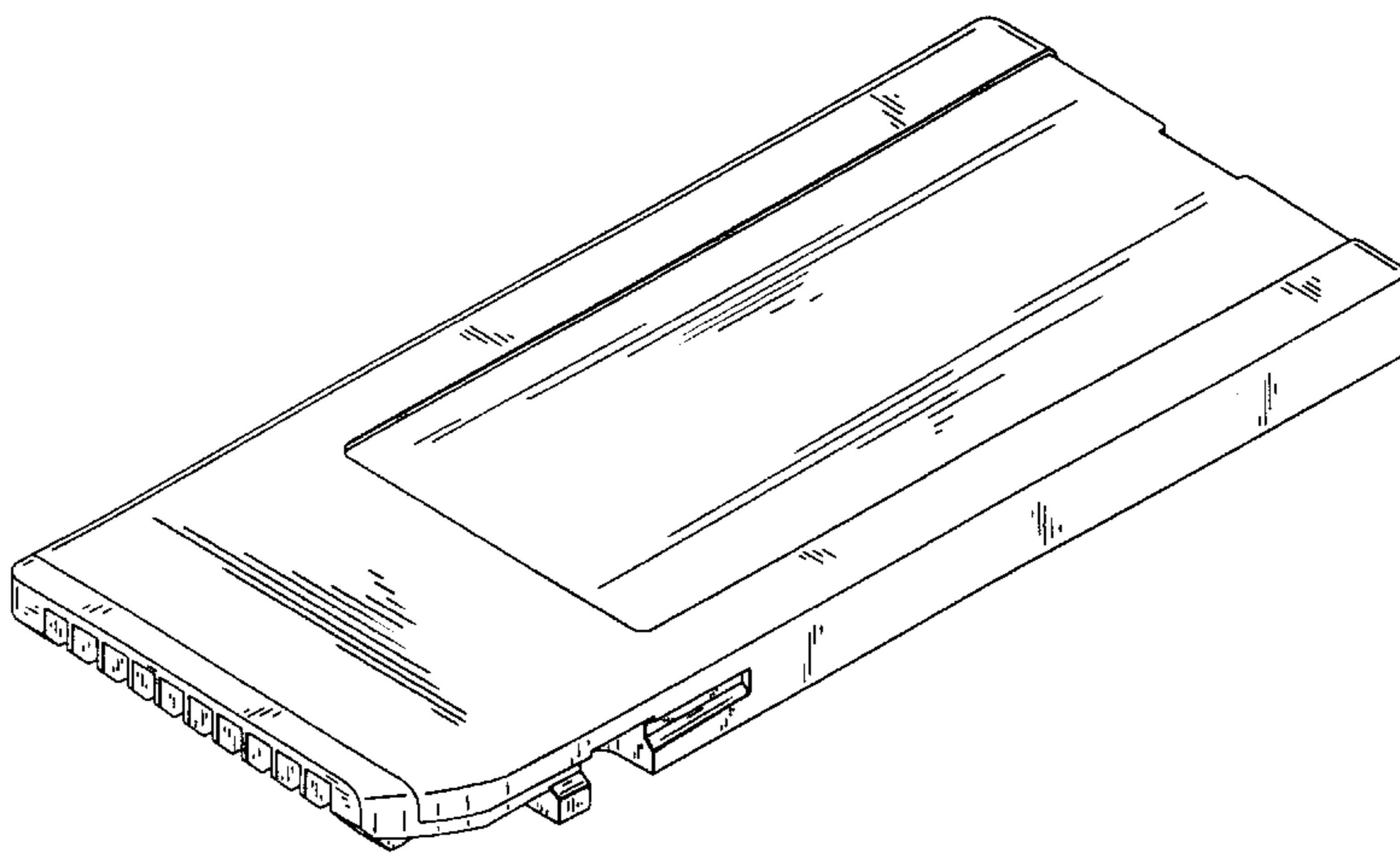
FIG. 13 is a right side elevational view thereof; and,

FIG. 14 is a rear elevational view thereof.

U.S. PATENT DOCUMENTS

D. 317,592	6/1991	Yoshizawa	D13/182
D. 358,806	5/1995	Siegel et al.	D13/182
D. 375,941	11/1996	Kerklaan	D13/182
D. 376,133	12/1996	Kerklaan	D13/182
D. 379,350	5/1997	Kerklaan	D13/182
D. 386,475	11/1997	Hiramatsu	D13/182
D. 401,912	12/1998	Majumdar et al.	D13/182

1 Claim, 6 Drawing Sheets



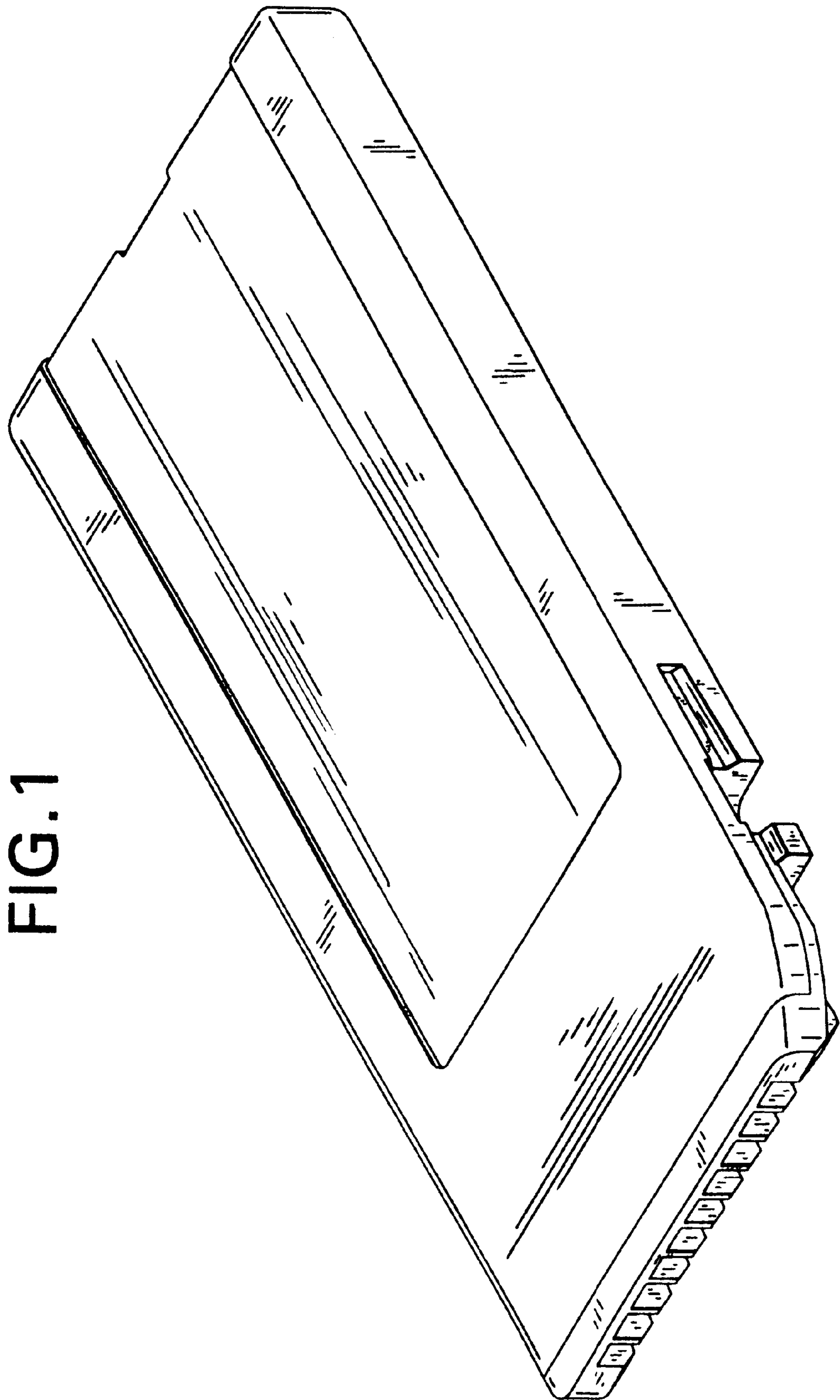


FIG. 1

FIG. 2



FIG. 6



FIG. 3

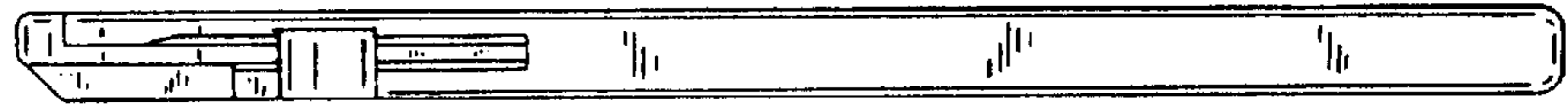


FIG. 5



FIG. 7

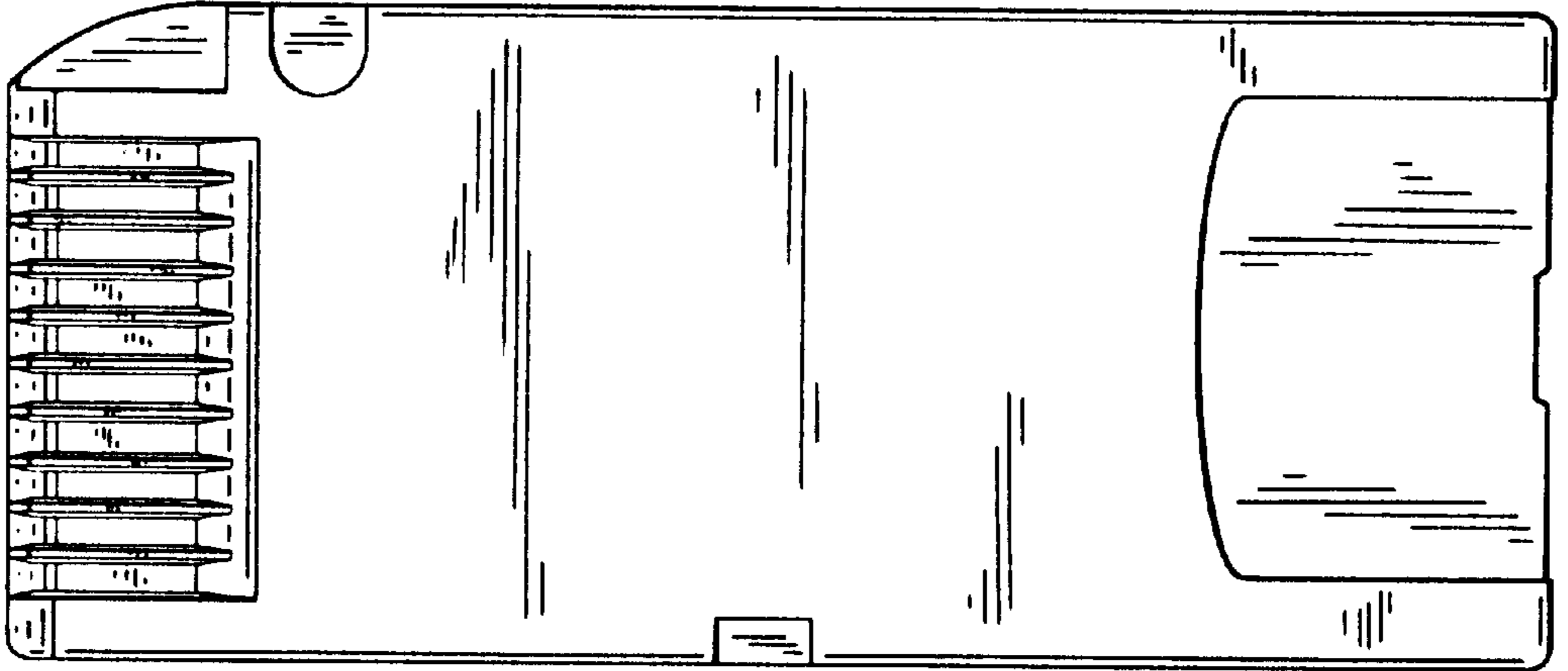
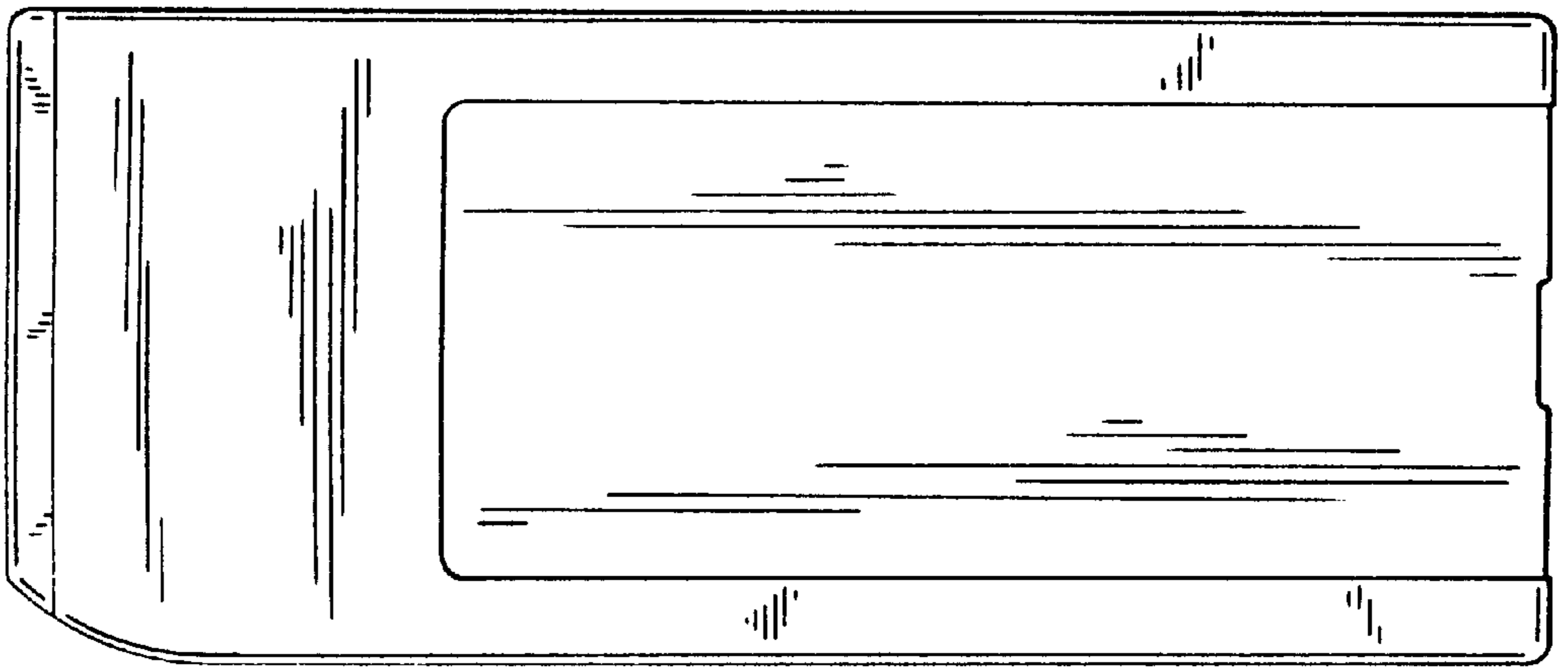


FIG. 4



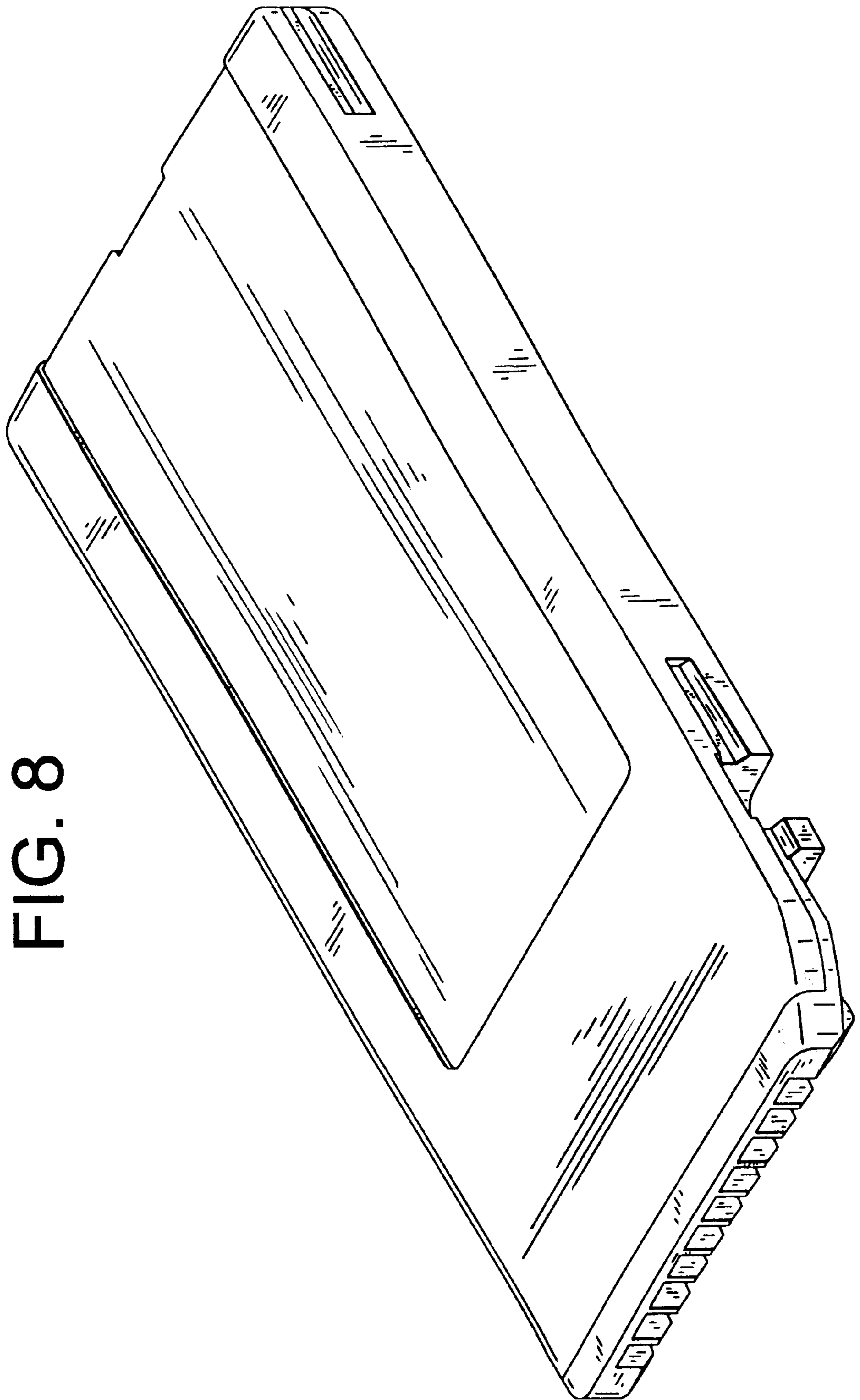


FIG. 8

FIG. 9

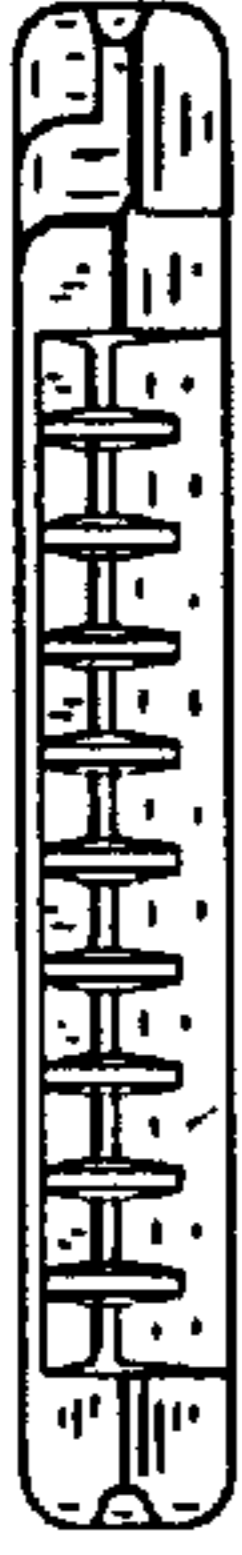


FIG. 13



FIG. 10

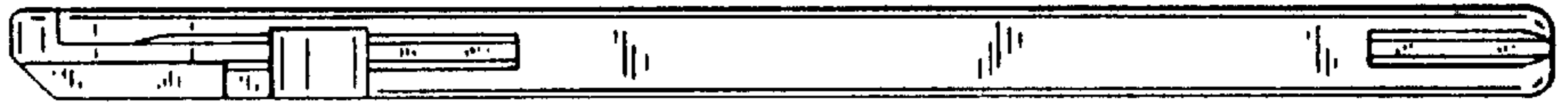


FIG. 12



FIG. 14

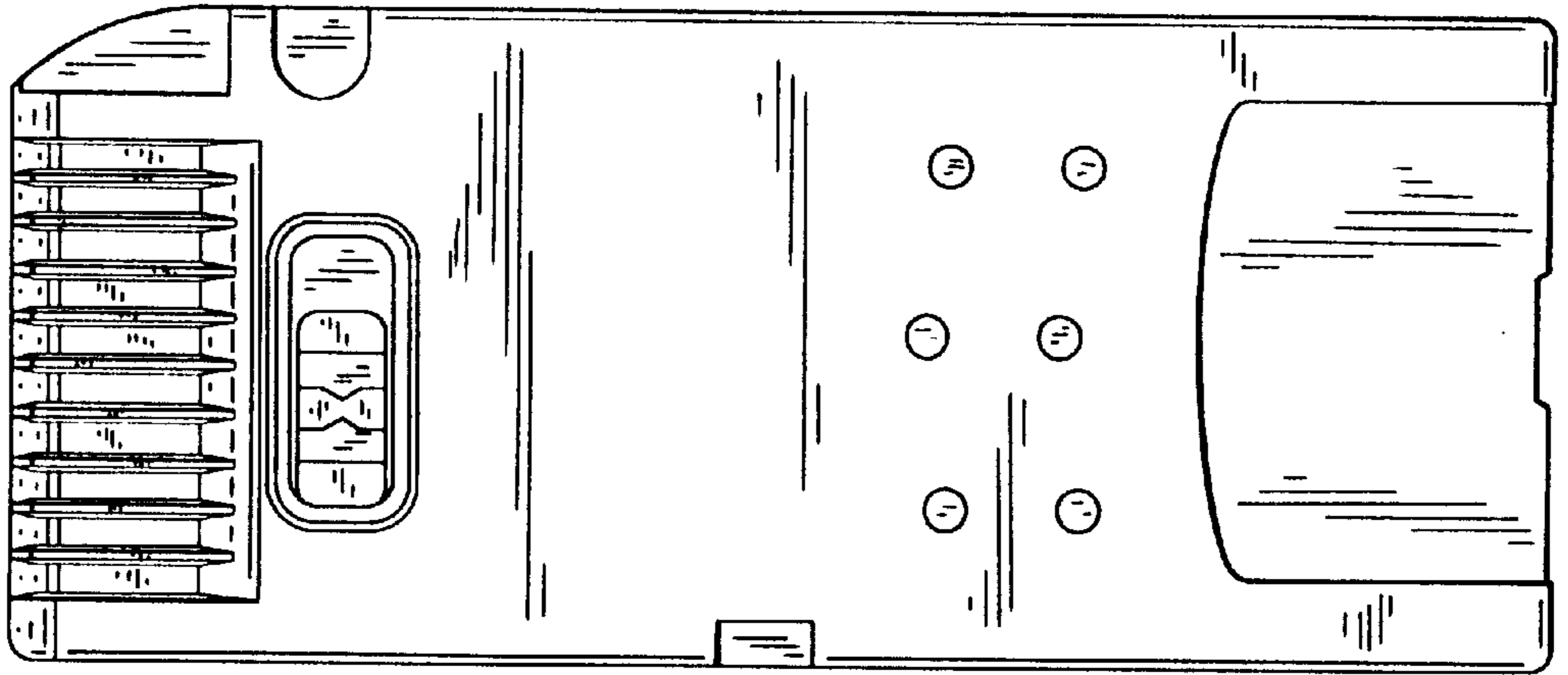


FIG. 11

