



US00D421590S

United States Patent [19]

Sacco et al.

[11] Patent Number: Des. 421,590

[45] Date of Patent: ** Mar. 14, 2000

[54] FRONT FACE OF A VEHICLE WHEEL

[75] Inventors: Bruno Sacco, Sindelfingen; Peter Pfeiffer, Boblingen, both of Germany

[73] Assignee: DaimlerChrysler AG, Germany

[**] Term: 14 Years

[21] Appl. No.: 29/075,295

[22] Filed: Aug. 26, 1997

[30] Foreign Application Priority Data

Feb. 26, 1997 [DE] Germany M 97 01 888

[51] LOC (6) Cl. 12-16

[52] U.S. Cl. D12/209

[58] Field of Search D12/204-213;
301/64.1, 65, 37.1

[56] References Cited

U.S. PATENT DOCUMENTS

D. 316,073	4/1991	Koch	D12/211
D. 336,886	6/1993	Mikawa	D12/211
D. 342,714	12/1993	Nikawa	D12/211
D. 350,523	9/1994	Mobius	D12/209
D. 360,179	7/1995	Fuller	D12/211
D. 374,646	10/1996	Abbott	D12/209
D. 375,074	10/1996	Sacco et al.	D12/209
D. 375,286	11/1996	Abbott	D12/209

D. 376,572	12/1996	Pfeiffer	D12/209
D. 389,112	1/1998	Chung	D12/209
D. 391,913	3/1998	Chung	D12/209
D. 409,968	5/1999	Goplen	D12/211

OTHER PUBLICATIONS

Custom Wheel & Tire Style Guide, p. 37, See "R15" Wheel, 1994.

Custom Wheel & Tire Style Guide, p. 39, See "60 FWD" Wheel, 1993.

Primary Examiner—Doris V. Coles

Assistant Examiner—Stacia Sinuik

Attorney, Agent, or Firm—Evenson, McKeown, Edwards & Lenahan, P.L.L.C.

[57] CLAIM

The ornamental design for a front face of a vehicle wheel, as shown and described.

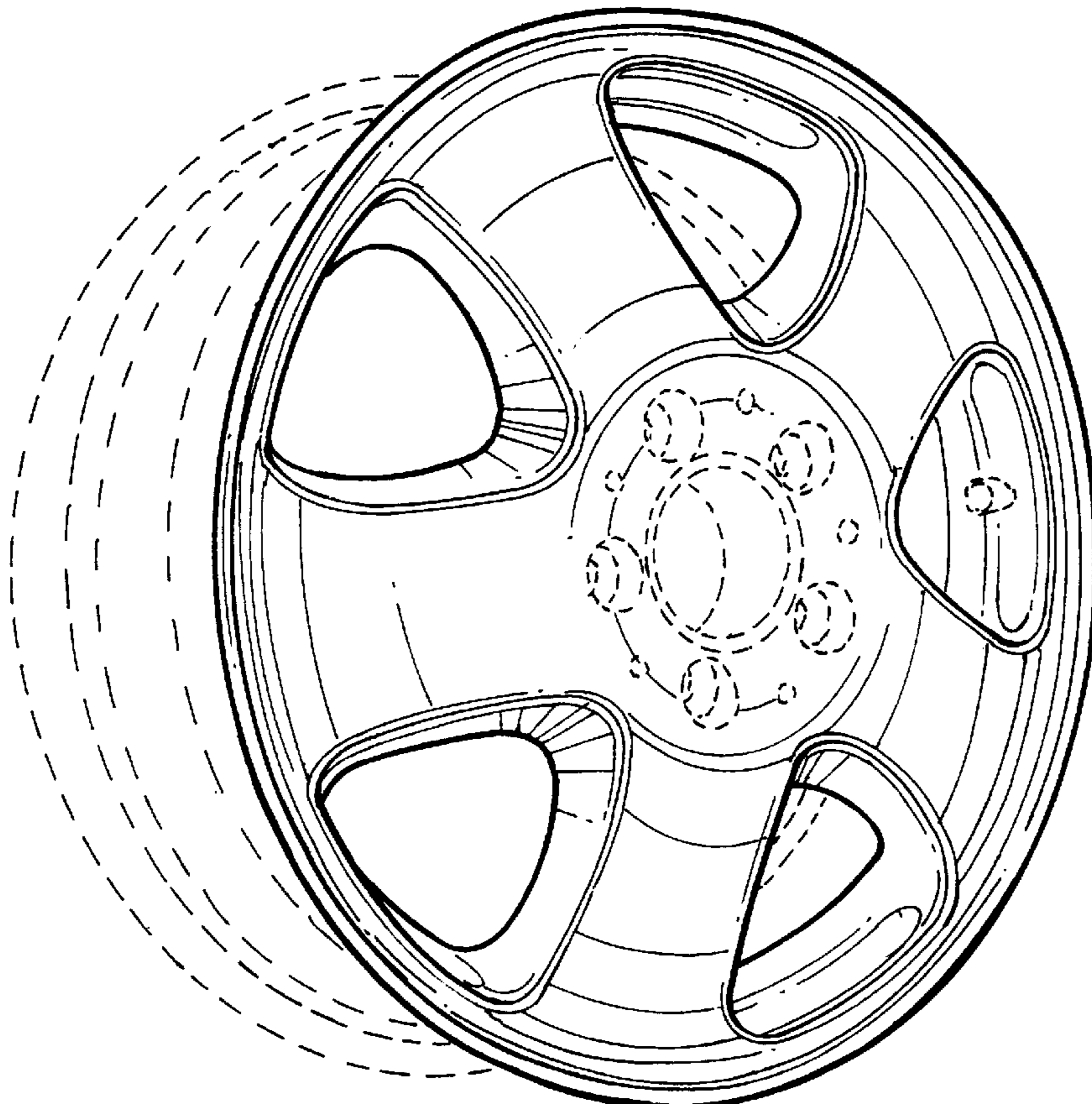
DESCRIPTION

FIG. 1 is a front view of a front face of a vehicle wheel according to our novel design;

FIG. 2 is a perspective view of the front face of a vehicle wheel; and,

FIG. 3 is a section view taken along line 3—3 in FIG. 1. Features shown in dash lines depict the environment and do not form part of the claimed design.

1 Claim, 1 Drawing Sheet



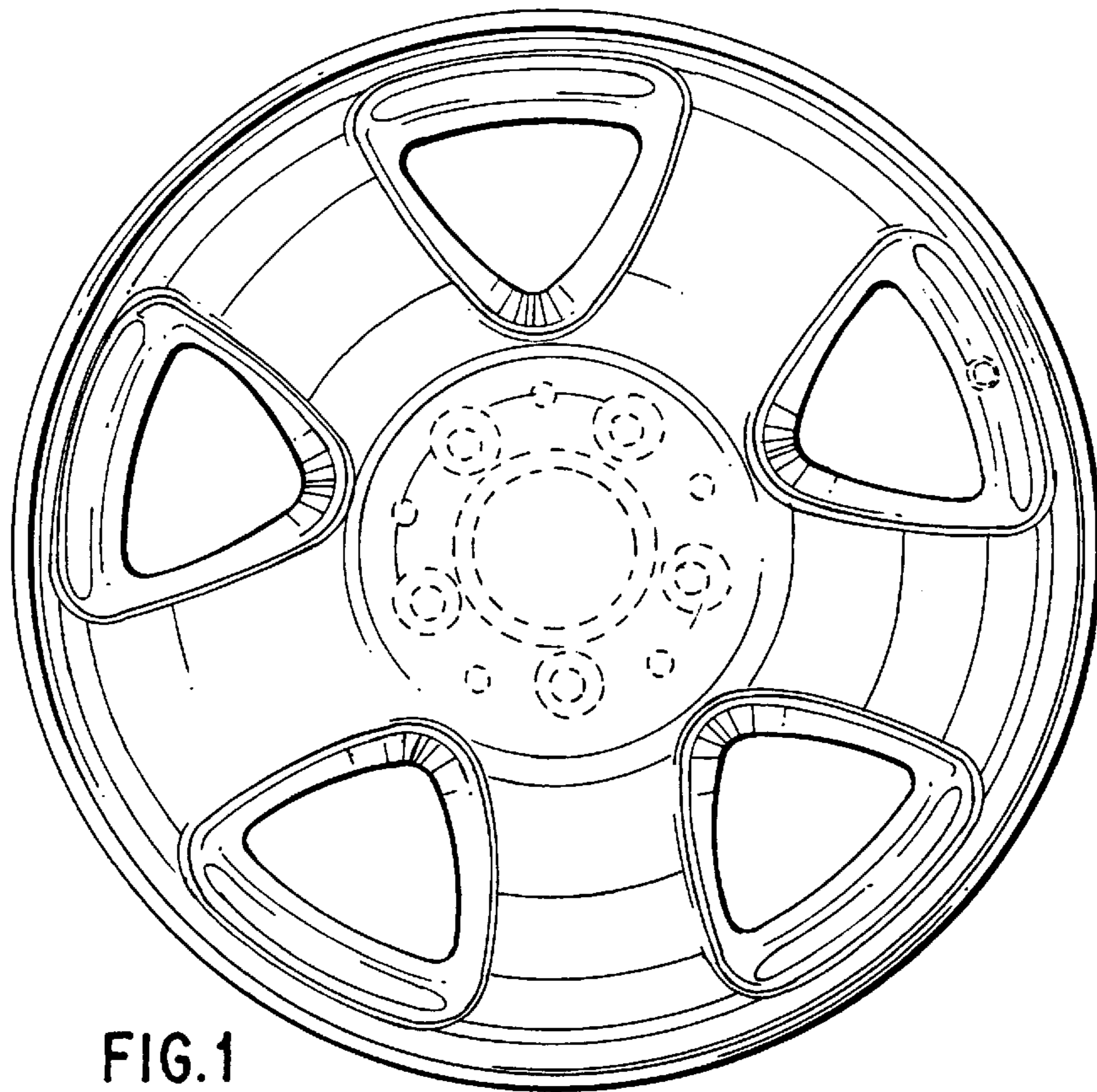


FIG. 1

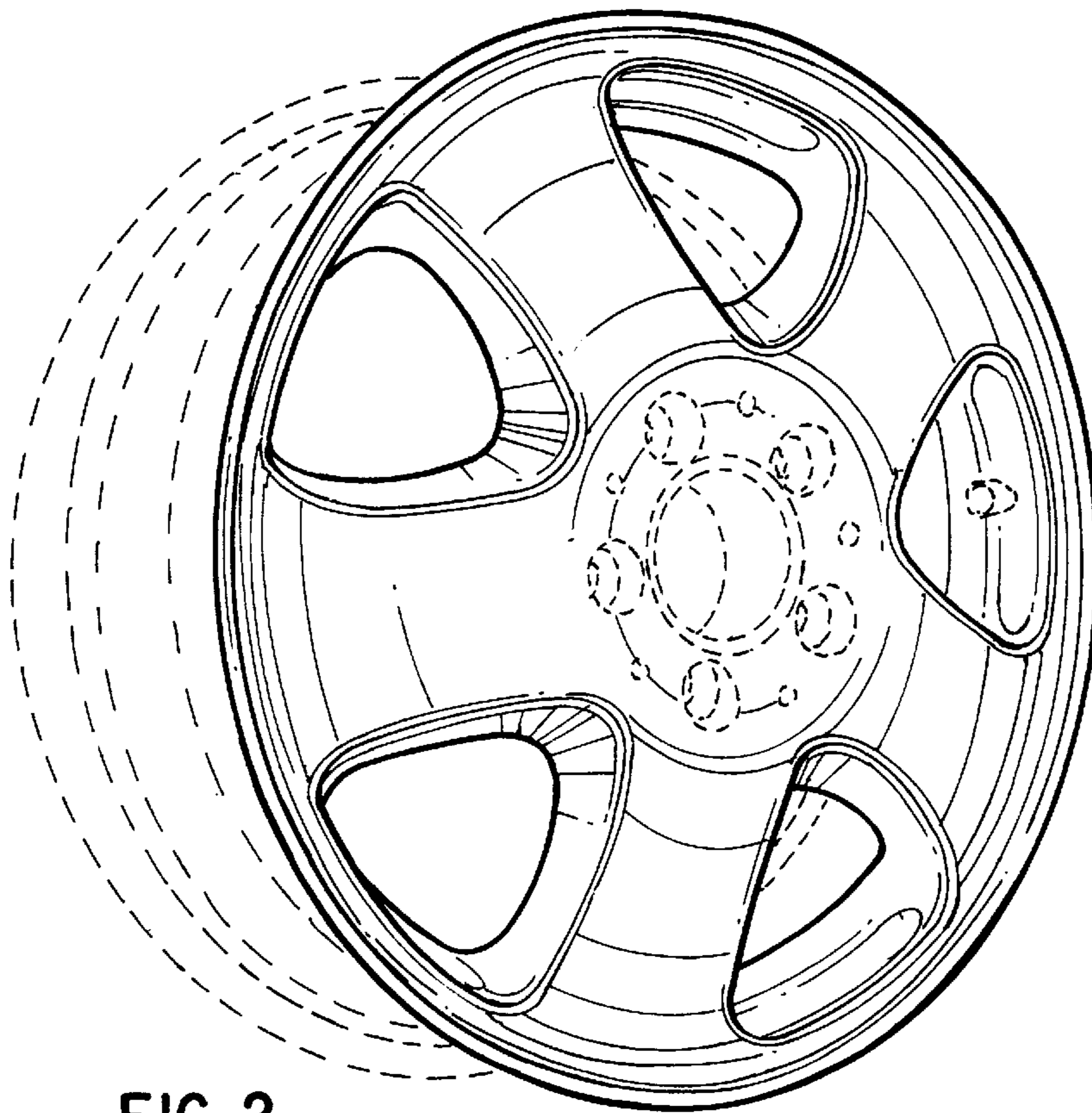


FIG. 2