



US00D421589S

United States Patent [19] Trubiano

[11] Patent Number: **Des. 421,589**

[45] Date of Patent: **** Mar. 14, 2000**

[54] **WHEEL HUB FOR SHOPPING CART**

D. 328,048 7/1992 Markling D12/135
D. 328,053 7/1992 Markling D12/204
D. 389,101 1/1998 Julien D12/133

[75] Inventor: **Ronald Trubiano**, Montreal, Canada

[73] Assignee: **Heinz Plastics Inc.**, Québec, Canada

[**] Term: **14 Years**

Primary Examiner—Doris V. Coles
Assistant Examiner—Stacia Sinuik
Attorney, Agent, or Firm—Swabey Ogilvy Renault; Guy J. Houle

[21] Appl. No.: **29/079,725**

[57] **CLAIM**

[22] Filed: **Nov. 20, 1997**

The ornamental design for a wheel hub for shopping cart, as shown and described.

[51] **LOC (6) Cl.** **12-16**

[52] **U.S. Cl.** **D12/204**

[58] **Field of Search** D12/204–213,
D12/135; 301/64.1, 65, 37.1, 105.1, 106,
108.1, 108.3

DESCRIPTION

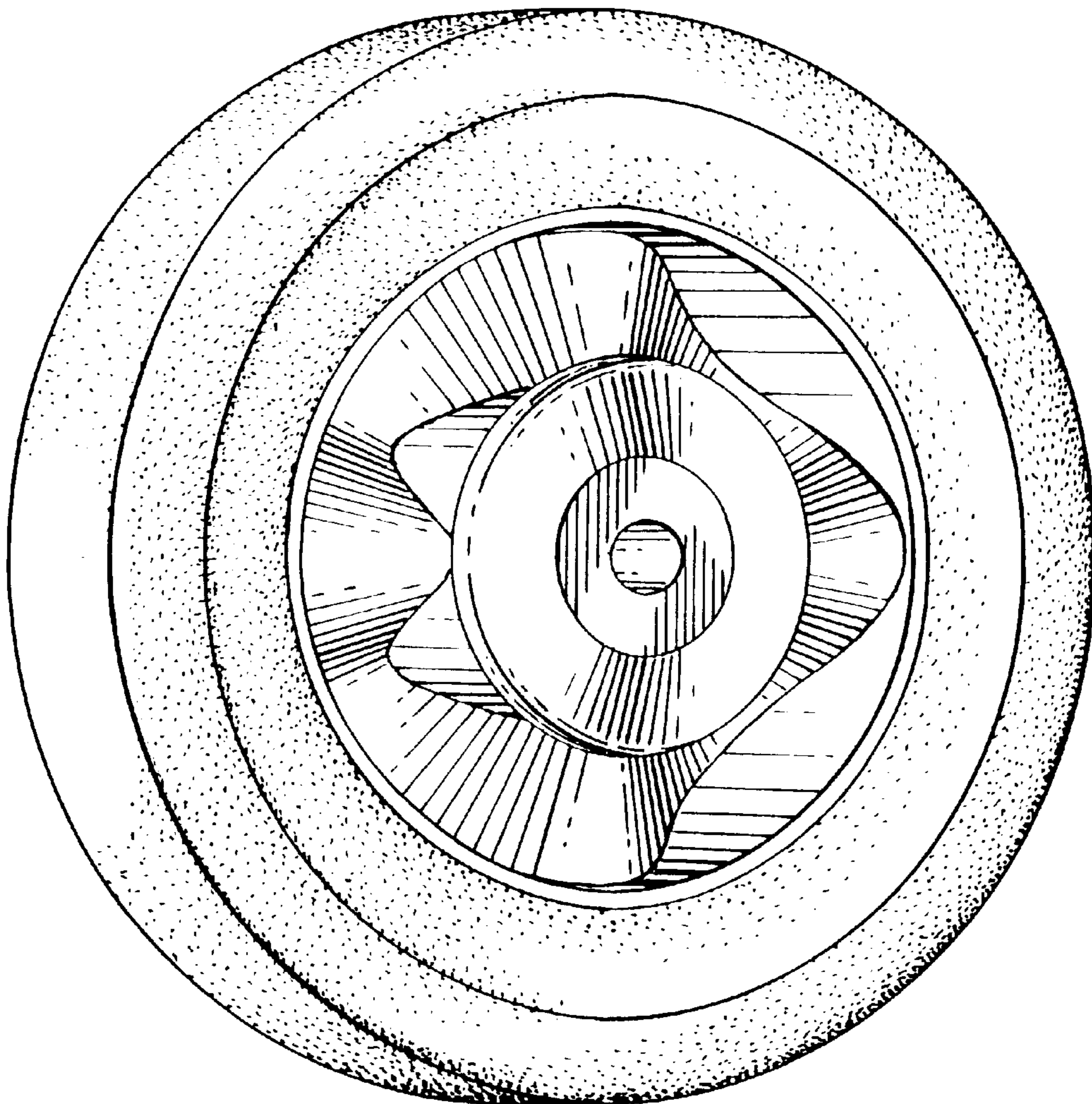
[56] **References Cited**

FIG. 1 is a perspective view of a shopping cart wheel showing the hub design;
FIG. 2 is a side view of the wheel showing the hub design, the other side being identical;
FIG. 3 is an end view of the wheel; and,
FIG. 4 is a cross section view along section line 4—4 of FIG. 3, showing the wheel hub design.

U.S. PATENT DOCUMENTS

D. 53,639 7/1919 Moore 301/64.1
D. 107,515 12/1937 Grange et al. D12/204
D. 276,513 11/1984 Honsa D12/135
D. 325,011 3/1992 Markling D12/135

1 Claim, 2 Drawing Sheets



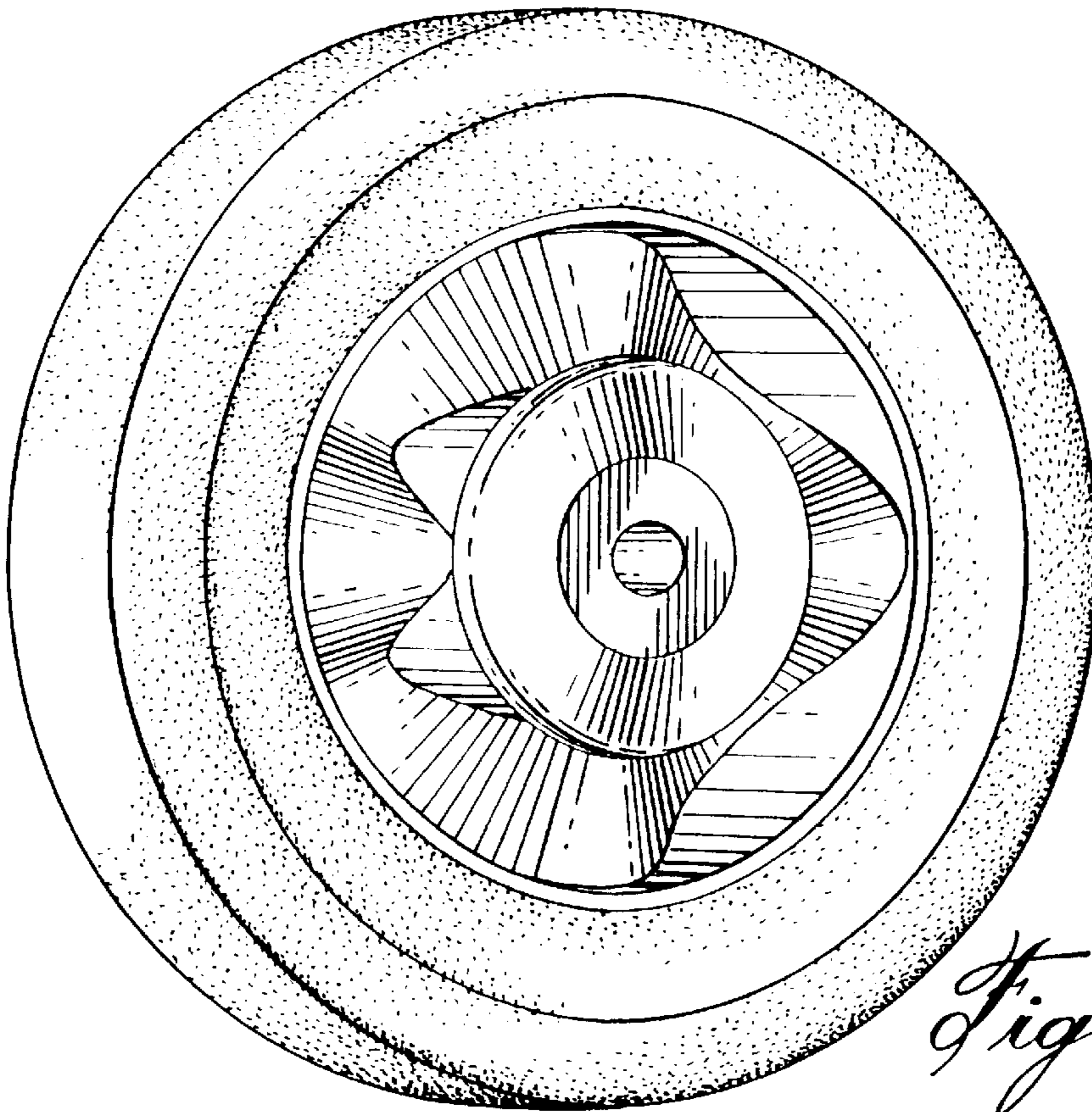


Fig. 1

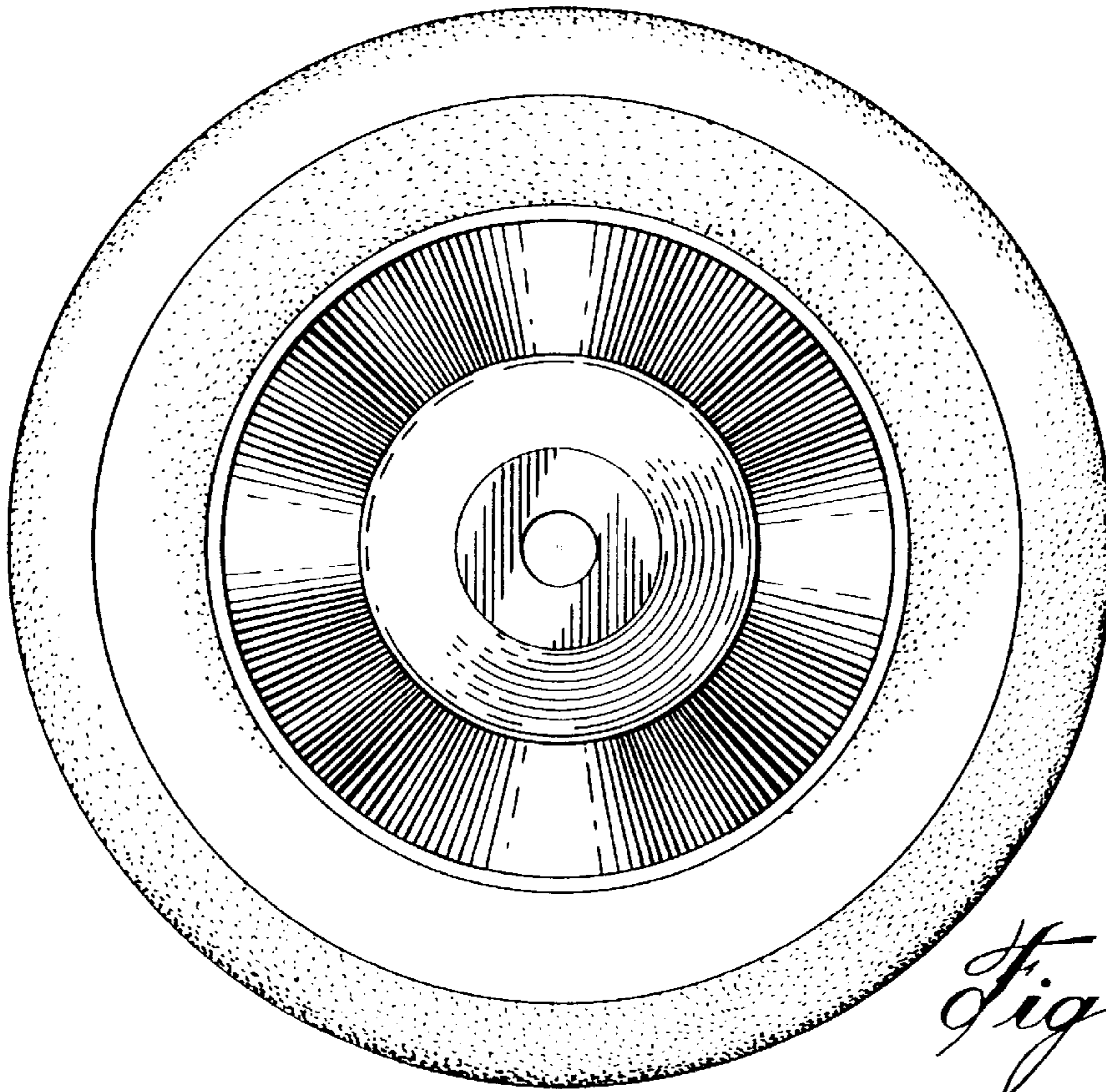


Fig. 2

