



US00D421585S

# United States Patent [19] Sousamian

[11] **Patent Number: Des. 421,585**

[45] **Date of Patent: \*\* Mar. 14, 2000**

[54] **VEHICLE GRILLE COVER**

[75] Inventor: **Timothy W. Sousamian**, Whittier, Calif.

[73] Assignee: **Performance Marketing, Inc.**, Garden Grove, Calif.

[\*\*] Term: **14 Years**

[21] Appl. No.: **29/095,761**

[22] Filed: **Oct. 29, 1998**

[51] **LOC (6) Cl.** ..... **12-16**

[52] **U.S. Cl.** ..... **D12/163**

[58] **Field of Search** ..... D12/163, 171;  
295/115, 117, 120; 180/68.6

[56] **References Cited**

**U.S. PATENT DOCUMENTS**

D. 286,999	12/1986	Hiranka	.....	D12/163
D. 290,830	7/1987	Snada	.....	D12/163
D. 293,230	12/1987	Kawaska	.....	D12/163
D. 318,835	8/1991	Partin	.....	D12/169

*Primary Examiner*—Melody N. Brown  
*Attorney, Agent, or Firm*—Lyon & Lyon LLP

[57] **CLAIM**

The ornamental design for a vehicle grille cover, as shown and described.

**DESCRIPTION**

FIG. 1 is a perspective view of a vehicle grille cover embodying my new design, the front perspective of a vehicle being shown fragmentally to show the environment in which the vehicle grille cover is used, the broken lines being for illustrative purposes only, and forming no part of the claimed design.

FIG. 2 is a perspective view of the vehicle grille cover.

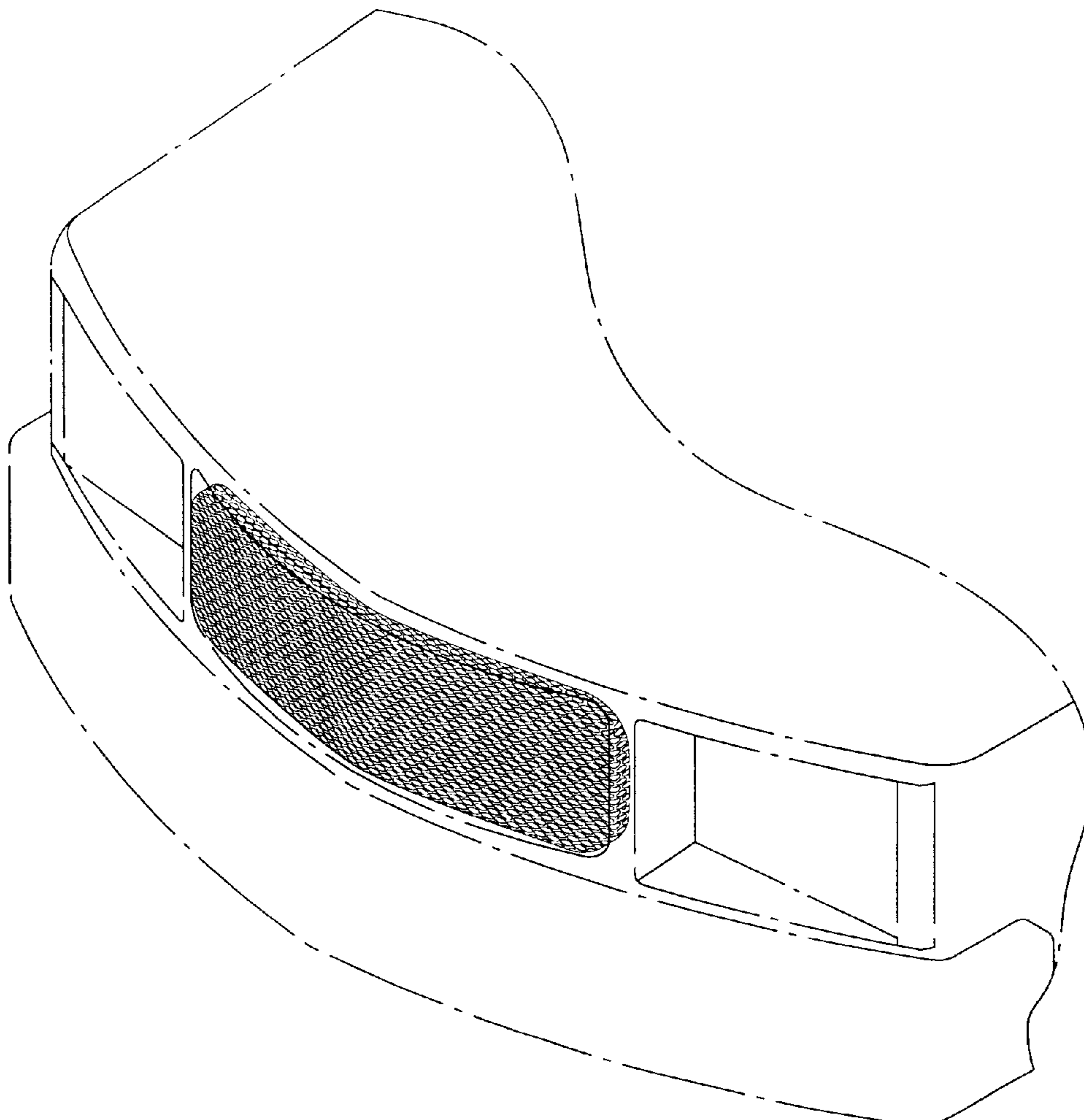
FIG. 3 is a front elevational view of the vehicle grille cover.

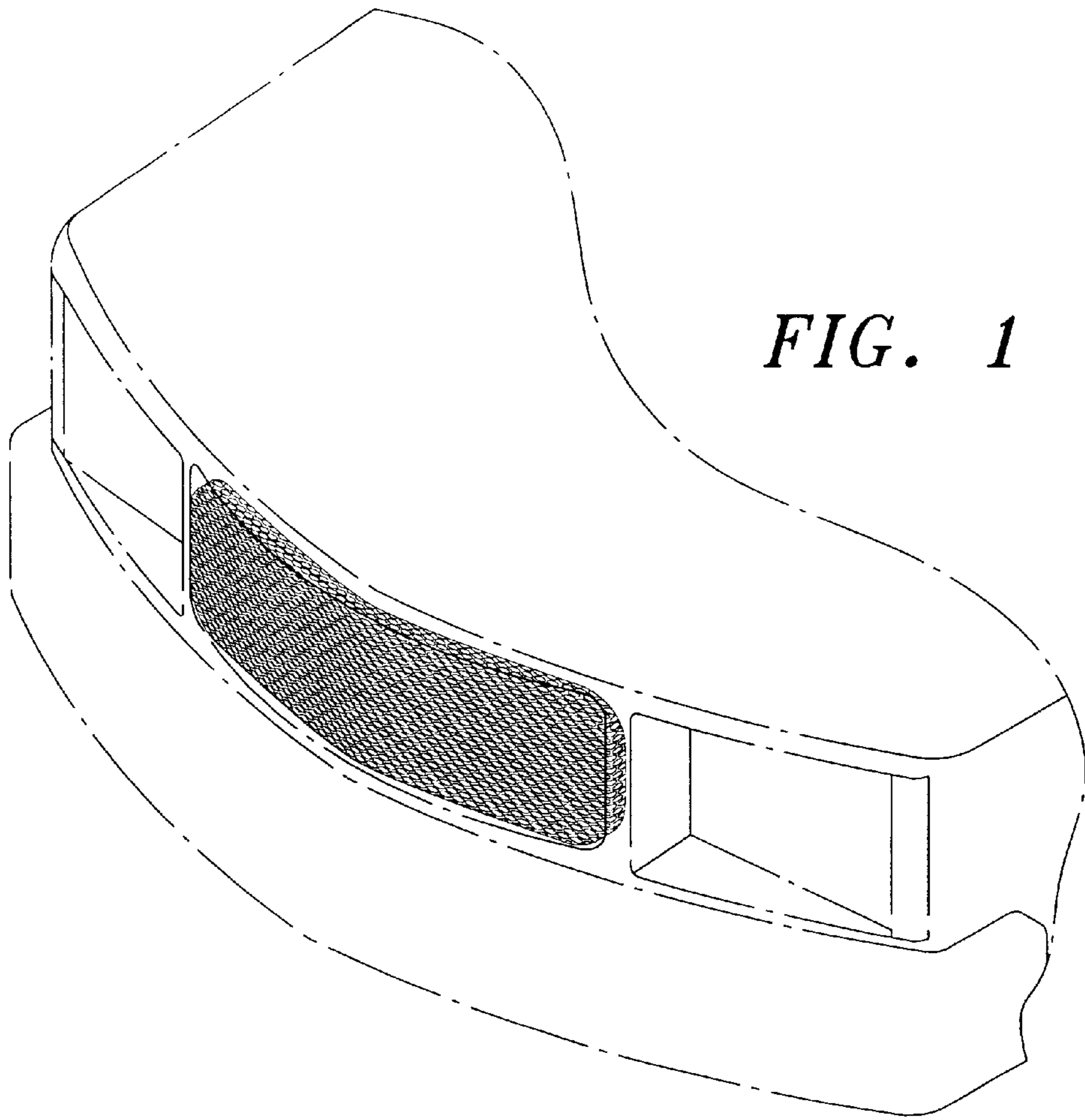
FIG. 4 is a top plan view of the vehicle grille cover, the bottom plan view being a mirror image thereof.

FIG. 5 is a right side view of the vehicle grille cover, the left side view being a mirror image thereof; and,

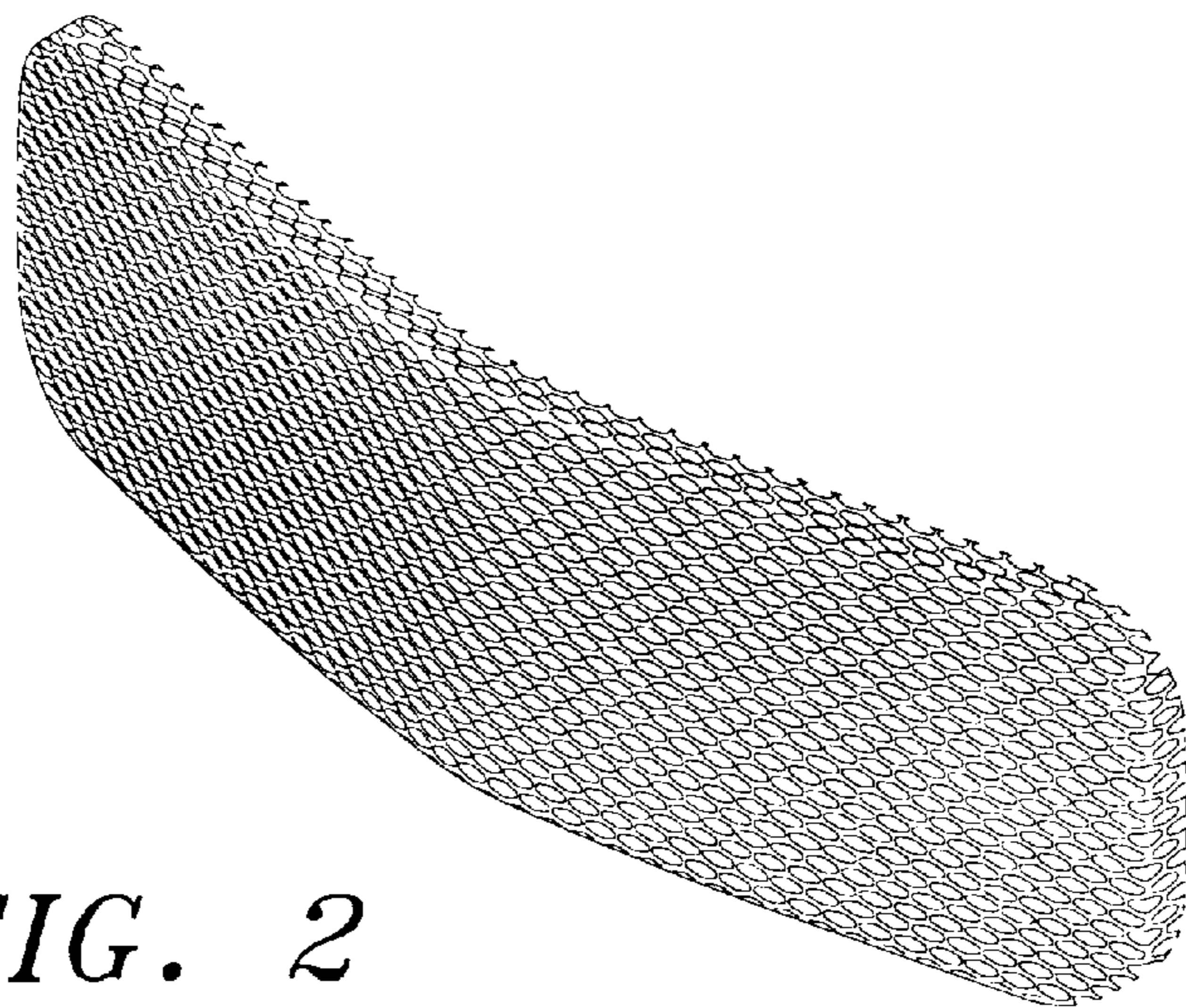
FIG. 6 is a rear elevational view of the vehicle grille cover.

**1 Claim, 2 Drawing Sheets**

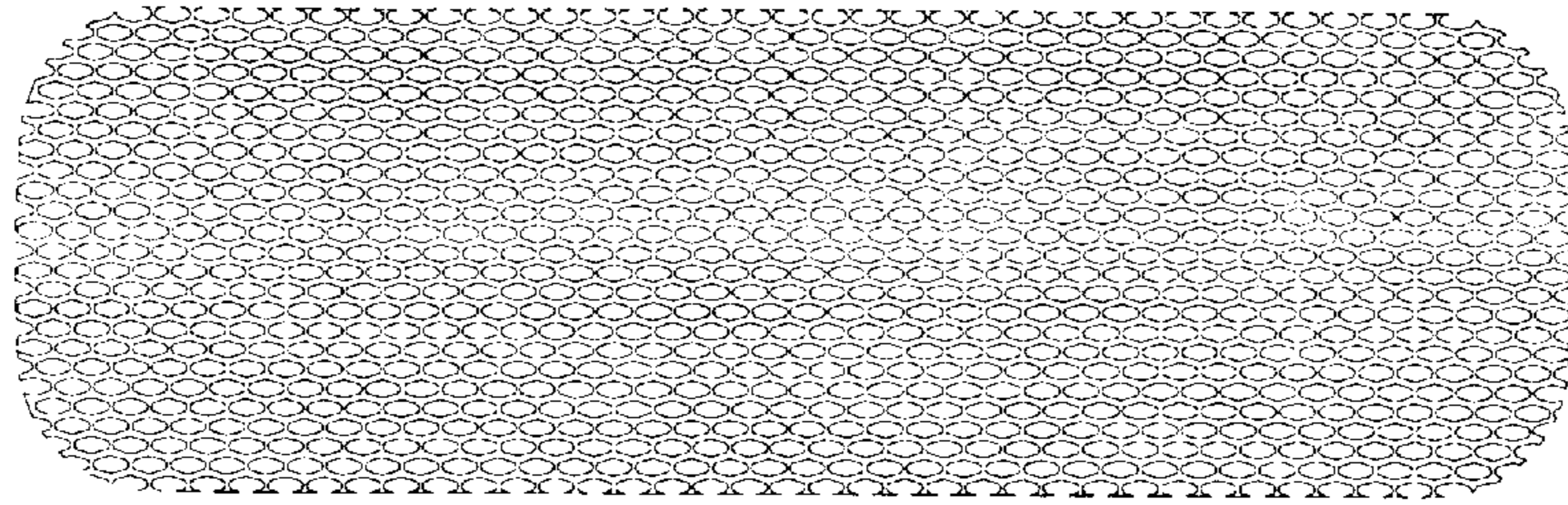




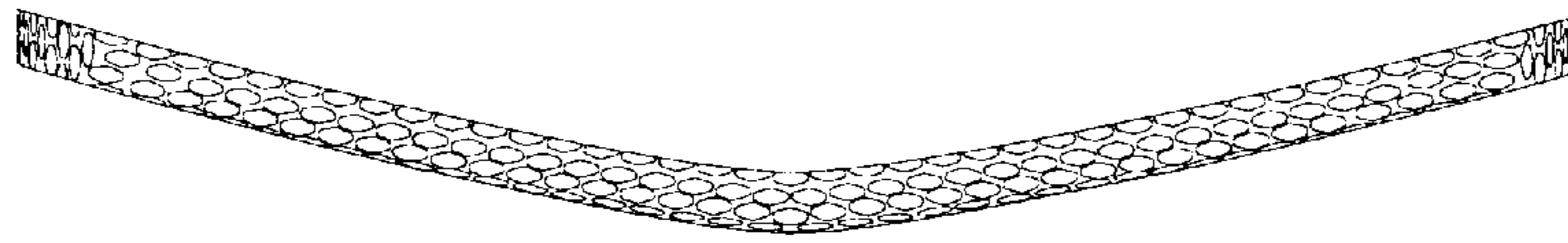
*FIG. 1*



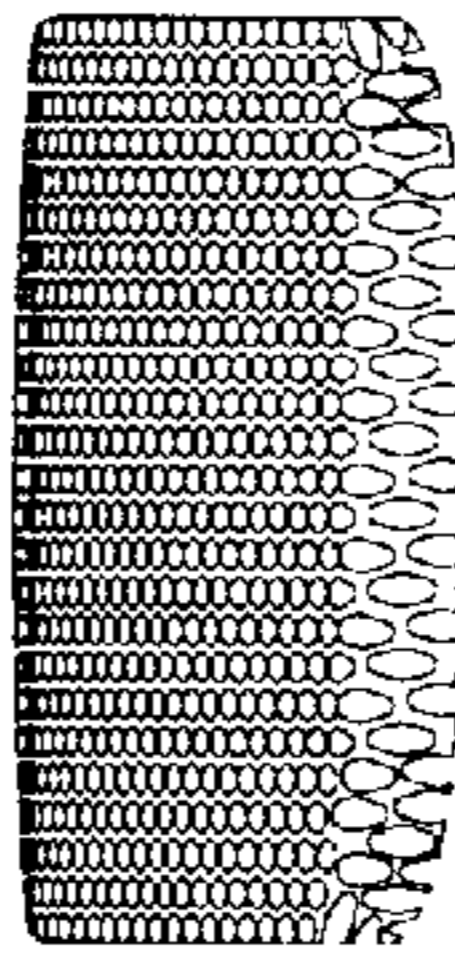
*FIG. 2*



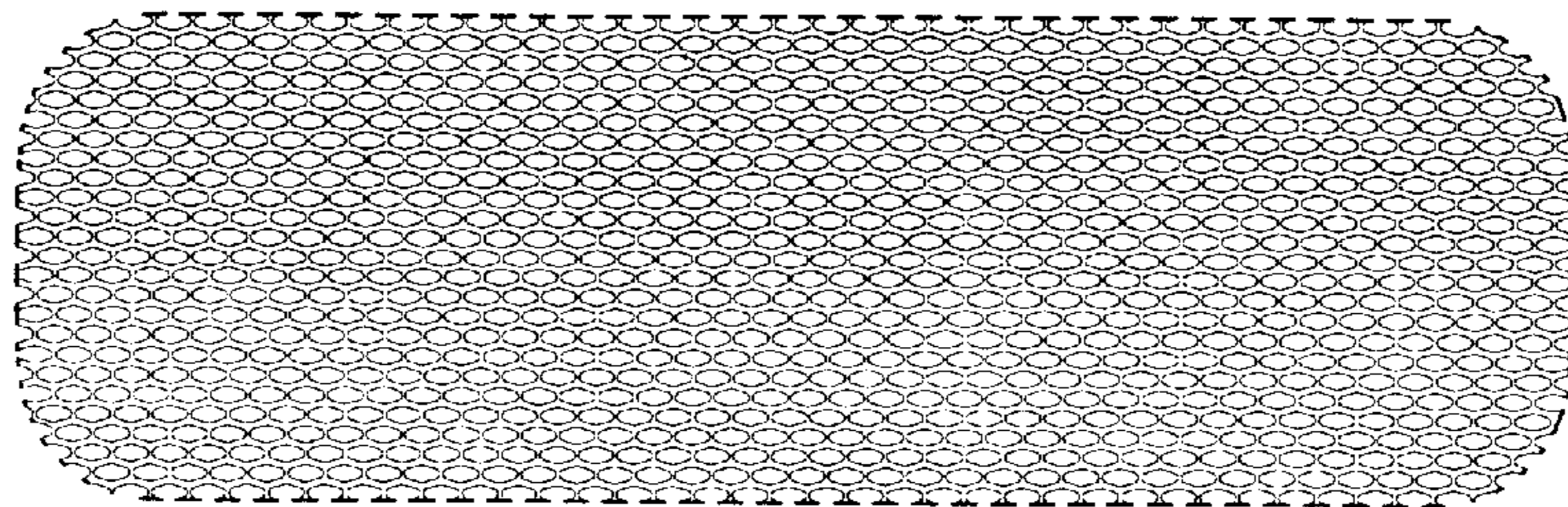
*FIG. 3*



*FIG. 4*



*FIG. 5*



*FIG. 6*