



US00D421583S

United States Patent [19]
Kemp, Jr.

[11] **Patent Number: Des. 421,583**
[45] **Date of Patent: ** Mar. 14, 2000**

[54] **TIRE TREAD**

[75] Inventor: **Preston Butler Kemp, Jr.**, Greenville, S.C.

[73] Assignee: **Michelin Recherche et Technique S.A.**, Switzerland

[**] Term: **14 Years**

[21] Appl. No.: **29/095,662**

[22] Filed: **Oct. 28, 1998**

[51] **LOC (6) Cl.** **12-15**

[52] **U.S. Cl.** **D12/146; D12/140**

[58] **Field of Search** D12/136-152;
152/209.1, 209.8, 209.9, 209.11, 209.12,
209.13, 209.16, 209.18, 209.19, 209.21,
209.28, 900, 901, 902, 903

[56] **References Cited**

U.S. PATENT DOCUMENTS

D. 261,383	10/1981	Amarger	D12/146
D. 384,608	10/1997	Schuster	D12/146
D. 388,371	12/1997	Miyazaki	D12/146
D. 397,655	9/1998	Takada	D12/146
D. 399,798	10/1998	Grosskopf et al.	D12/147
D. 402,239	12/1998	Le et al.	D12/146

OTHER PUBLICATIONS

Dayton Drive Radial Deep Skid Tire, 1997 Tread Design Guide, p. 134.
Heritage Super Fleet Premium Drive L-20 Tire, 1997 Tread Design Guide, p. 147.
Tread Design Guide, 1991, p. 107 Dunlop Radial Mud Rover.
Tread Design Guide, 1991, p. 137 Stratton All-Season King.
Tread Design Guide, 1991, p. 137 Sumitomo Serengeti SL840.

Tread Design Guide, 1992, p. 168 Multi-Mile Power King All Steel Radial Drive I.
Tread Design Guide, 1992, p. 173 Sigma Mile Power King All Steel Radial Drive I.
Tread Design Guide, 1992, p. 158 Hallmark Steelmark Drive Radial I.
Tread Design Guide, 1992, p. 148 Douglas Steelmark Drive Radial I.
Tread Design Guide, 1996, p. 80 Academy Widetrack Lug XT.
Tread Design Guide, 1996, p. 81 Bridgestone Dueler M/T.
Tread Design Guide, 1996, p. 98 Hankook Radial T24.
Tread Design Guide, 1996, p. 129 Continental RT8.
Tread Design Guide, 1997, p. 146 Heritage Roadmark Drive.
Tread Design Guide, 1997, p. 155 Monarch Steelmark ADF.
Tread Design Guide, 1997, p. 162 Summit Roadmark Drive.

Primary Examiner—Robert M. Spear
Attorney, Agent, or Firm—Alan A. Csontos; Robert R. Reed

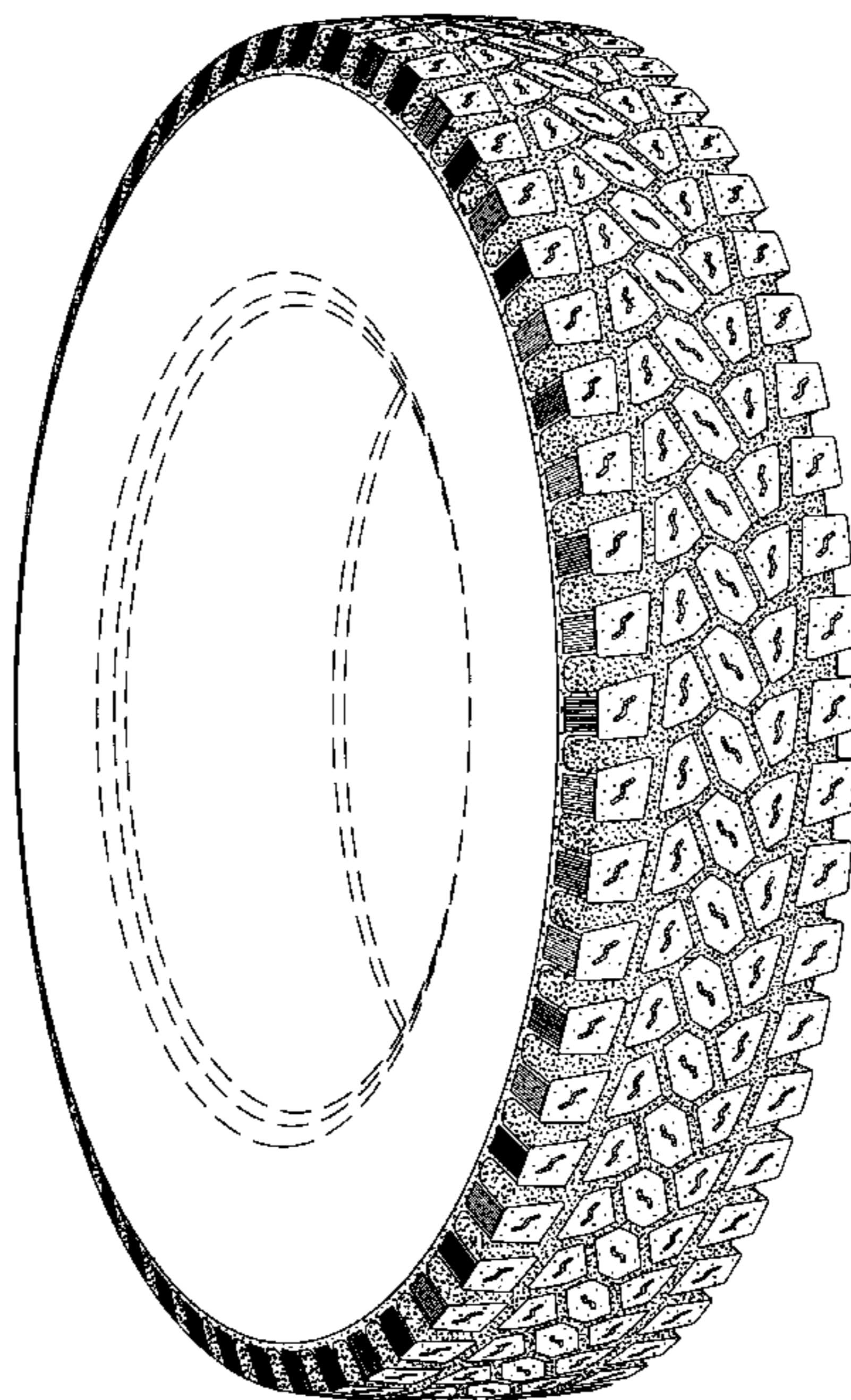
[57] **CLAIM**

The ornamental design for a tire tread, as shown and described.

DESCRIPTION

FIG. 1 is a perspective view of a tire tread showing my new design, it being understood that the tread pattern repeats uniformly throughout the outer surface and shoulder circumference the tire tread, the opposite side perspective view being identical thereto; and,
FIG. 2 is a enlarged fragmentary front elevation view of the tire tread thereof.
The broken line disclosure of the tire sidewall and inner bead is for illustrative purposes only and forms no part of the claimed design.

1 Claim, 2 Drawing Sheets



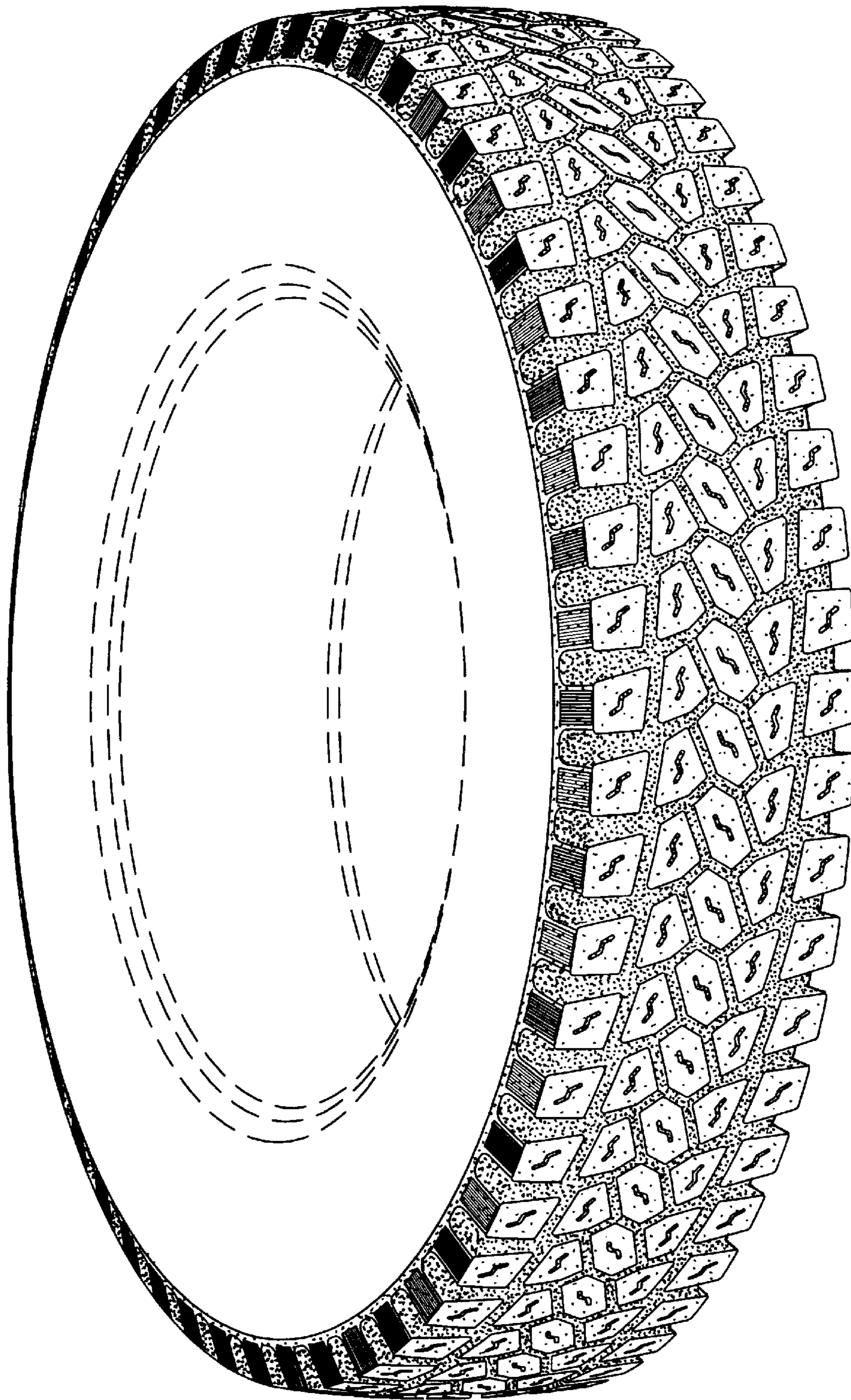


Fig. 1

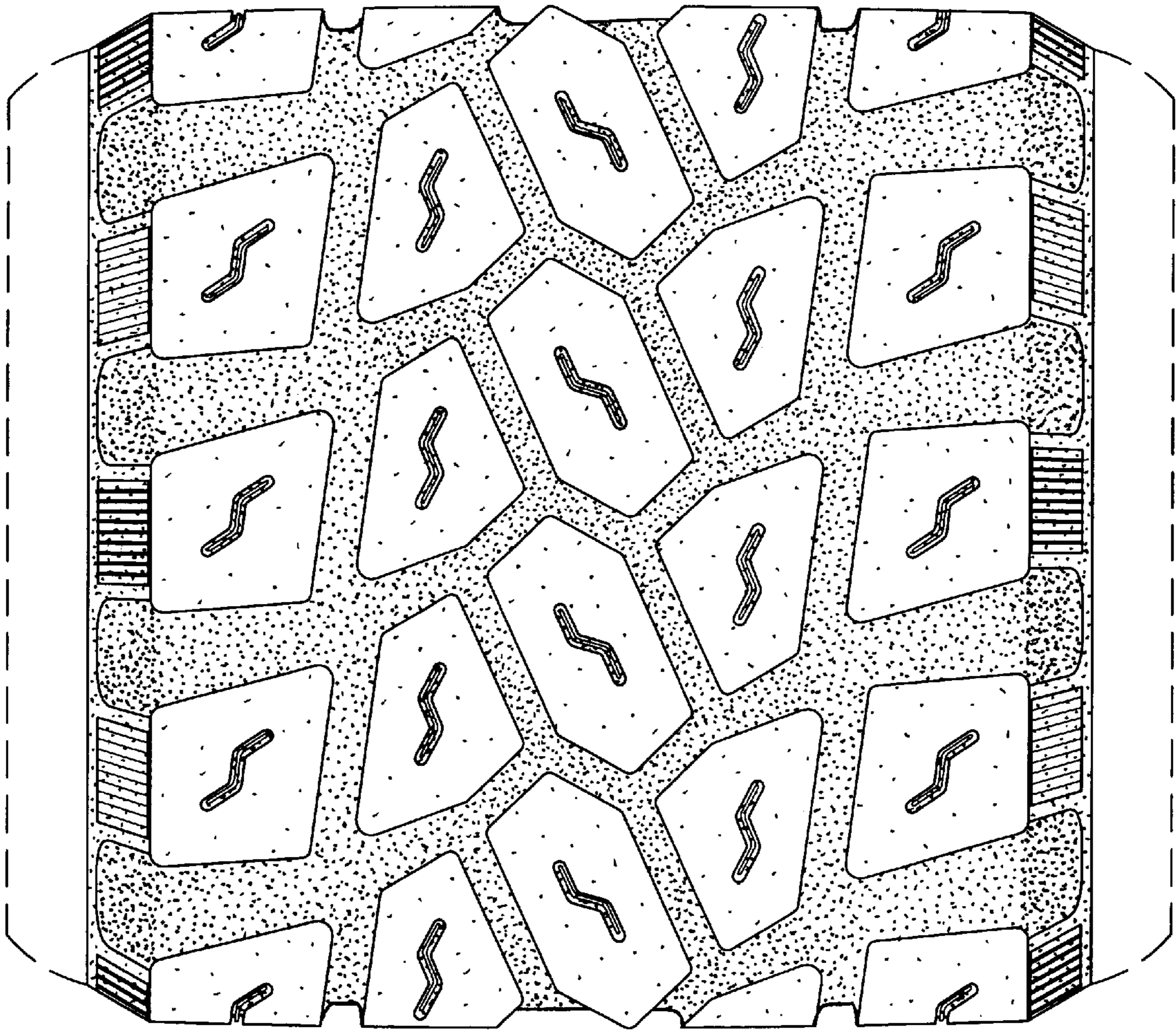


Fig. 2