



US00D421574S

# United States Patent [19]

[11] Patent Number: Des. 421,574

Truong et al.

[45] Date of Patent: \*\* Mar. 14, 2000

## [54] TEMPERATURE HOUSING AND BASEPLATE

[75] Inventors: **Kenny Truong**, Roseville; **James A. Odom**, Apple Valley, both of Minn.

[73] Assignee: **Honeywell Inc.**, Minneapolis, Minn.

[\*\*] Term: **14 Years**

[21] Appl. No.: **29/077,418**

[22] Filed: **Sep. 25, 1997**

### Related U.S. Application Data

[63] Continuation of application No. 29/070,294, May 5, 1997, abandoned.

[51] LOC (6) Cl. .... **10-04**

[52] U.S. Cl. .... **D10/50**

[58] Field of Search ..... D10/49, 50, 51; 165/11.1, 13, 22, 32-41; 236/46 R, 1 B, 47, 49.3, 87, 94; 337/360, 380; 364/557

### [56] References Cited

#### U.S. PATENT DOCUMENTS

D. 316,977	5/1991	Kolbow et al. ....	D10/51
4,264,034	4/1981	Hyltin et al. ....	236/46 R
4,373,664	2/1983	Barker et al. ....	236/46 R
4,621,336	11/1986	Brown ....	364/557

#### OTHER PUBLICATIONS

T841 Accurate heat Pump Control Brochure published Dec. 1987 by Honeywell Residential Div.

Primary Examiner—Antoine Duval Davis  
Attorney, Agent, or Firm—Edward L. Schwarz

## [57] CLAIM

The ornamental design for a temperature housing and baseplate, as shown and described.

## DESCRIPTION

FIG. 1 is a perspective view of a thermostat housing from below and to its right.

FIG. 2 is a front elevation view of the thermostat housing in FIG. 1.

FIG. 3 is a right side elevation view of the thermostat housing in FIG. 1.

FIG. 4 is a left side elevation view of the thermostat housing in FIG. 1.

FIG. 5 is a bottom plan view of the thermostat housing in FIG. 1.

FIG. 6 is a top plan view of the thermostat housing in FIG. 1.

FIG. 7 is a bottom plan view of a baseplate forming a part of the thermostat housing shown in FIGS. 1-6.

FIG. 8 is a left side elevation view of a baseplate forming a part of the thermostat housing shown in FIGS. 1-6.

FIG. 9 is a right side elevation view of a baseplate forming a part of the thermostat housing shown in FIGS. 1-6.

FIG. 10 is a top plan view of a baseplate forming a part of the thermostat housing shown in FIGS. 1-6.

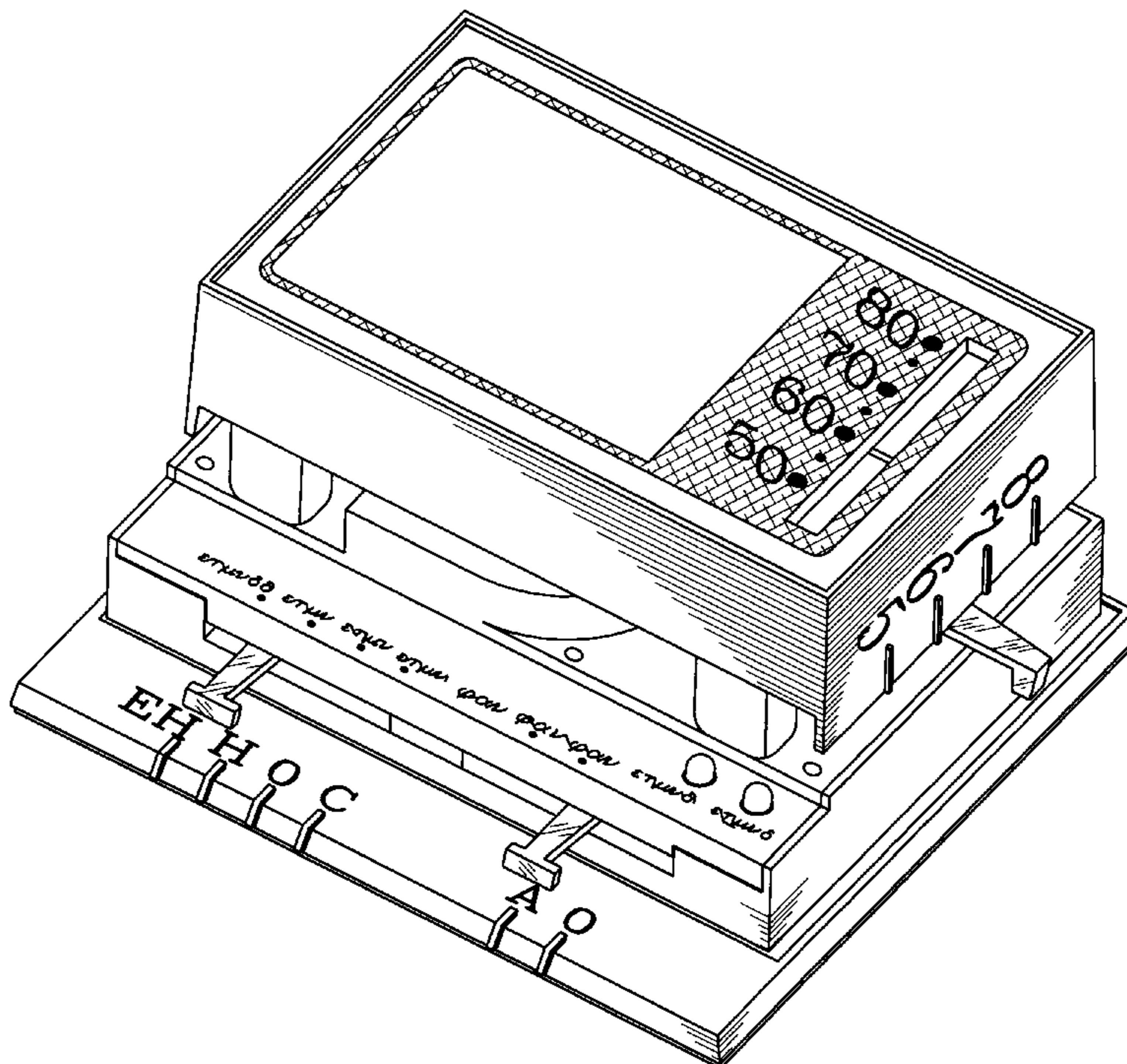
FIG. 11 is a front elevation view of baseplate forming a part of the thermostat housing shown in FIGS. 1-6.

FIG. 12 is a perspective view of the baseplate shown in FIGS. 7-11 from below and to its right.

FIG. 13 is a front projective view of a thermostat baseplate similar to that of FIGS. 7-12 but omitting lettering thereon; and,

FIG. 14 is a perspective view, from below and to its right, of the thermostat baseplate shown in FIG. 13.

1 Claim, 6 Drawing Sheets



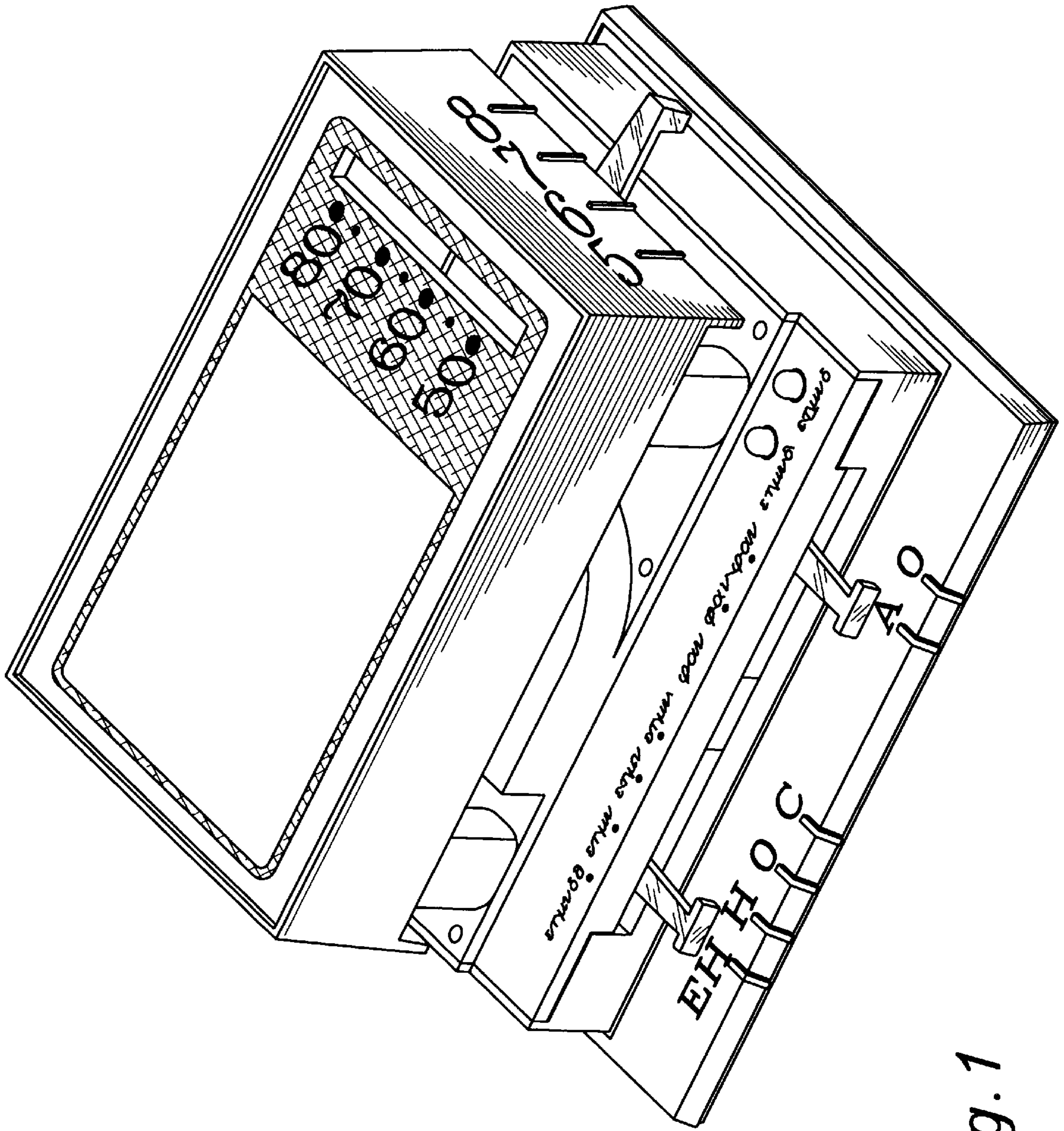


Fig. 1

Fig. 3

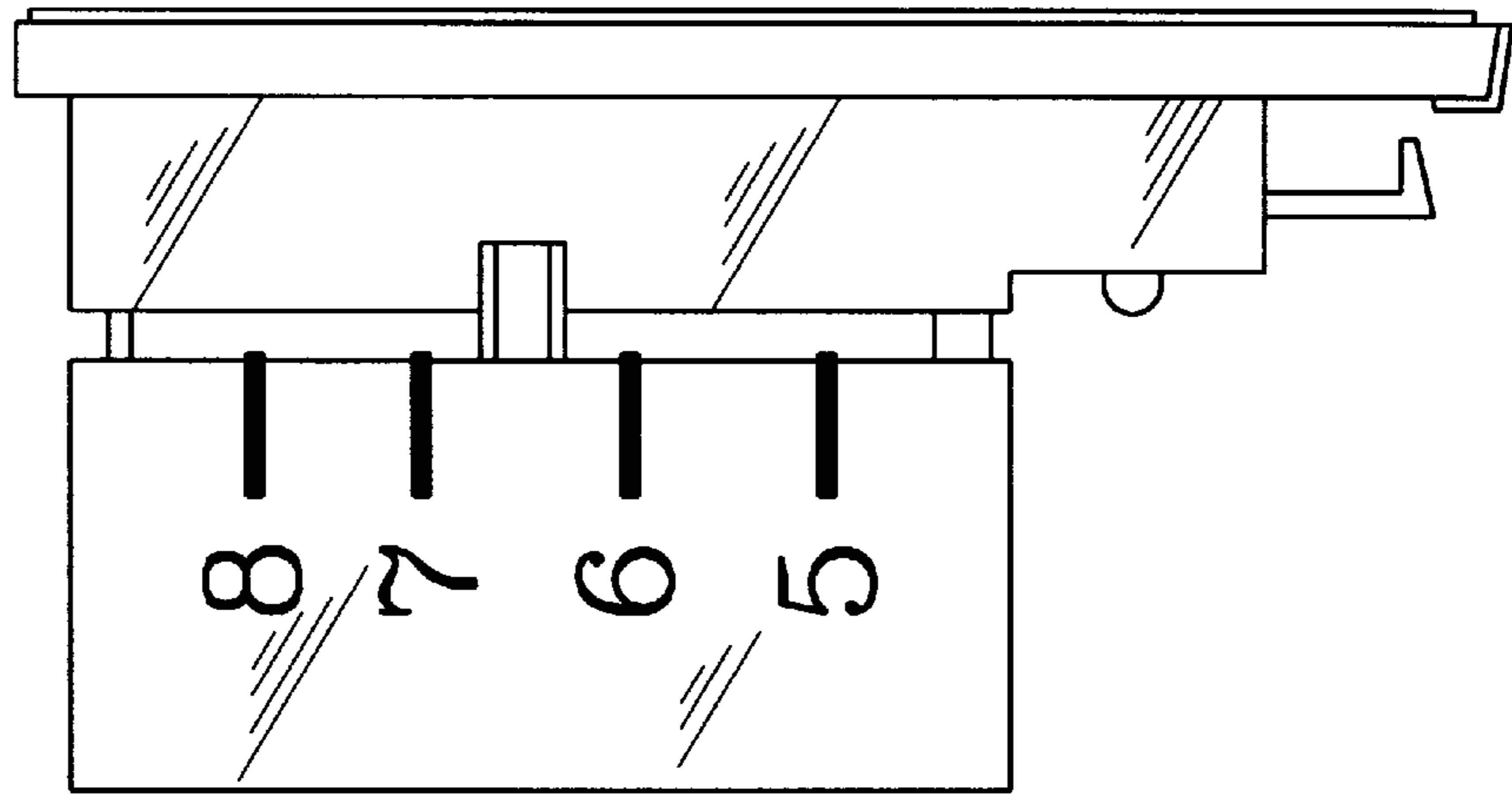
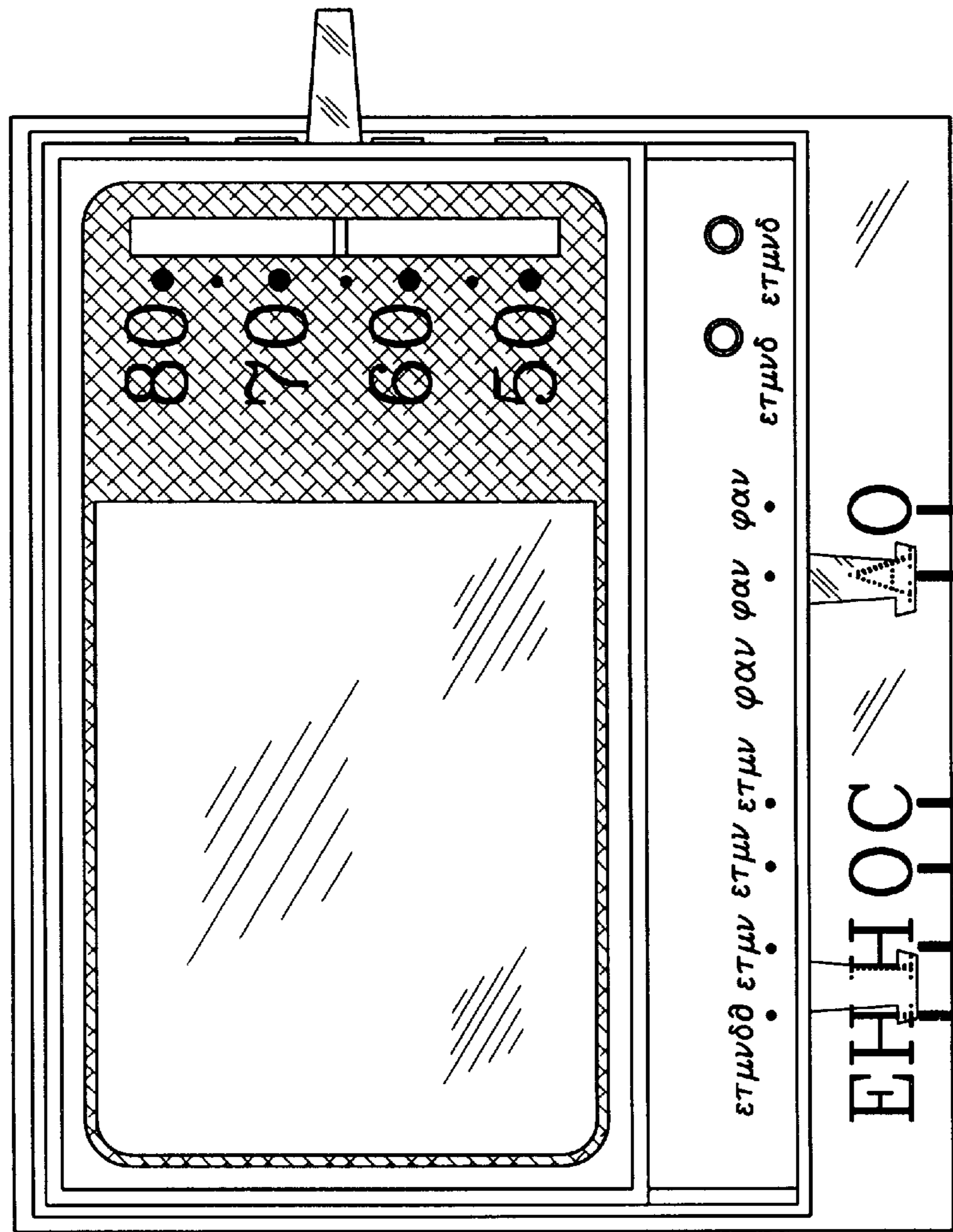
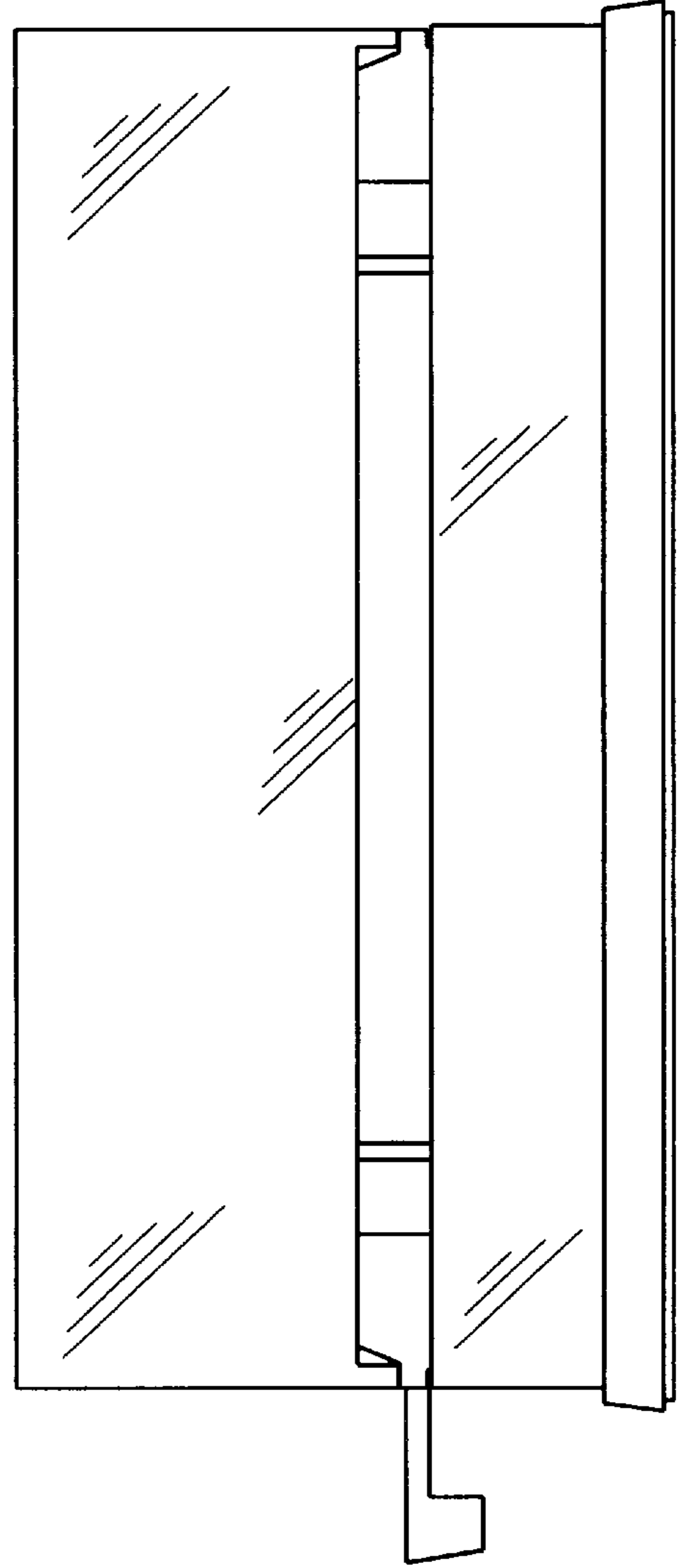
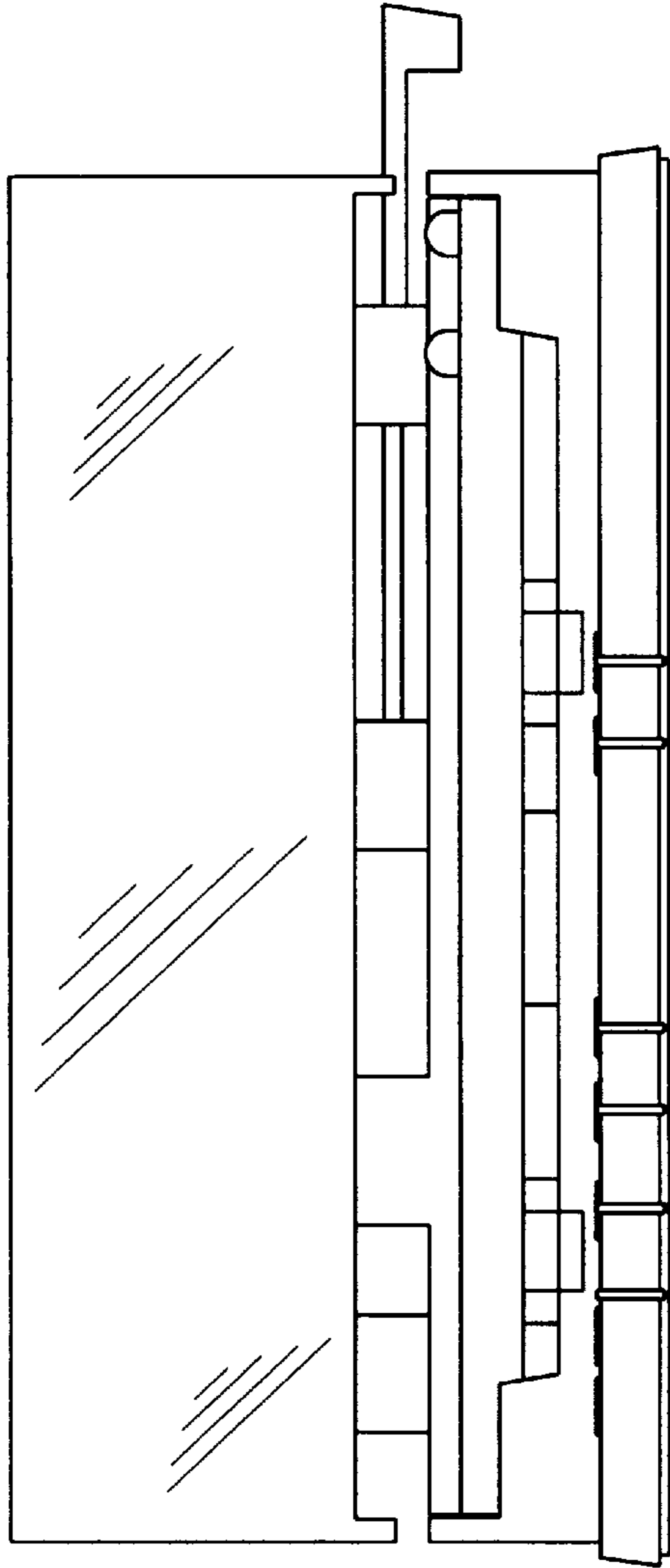


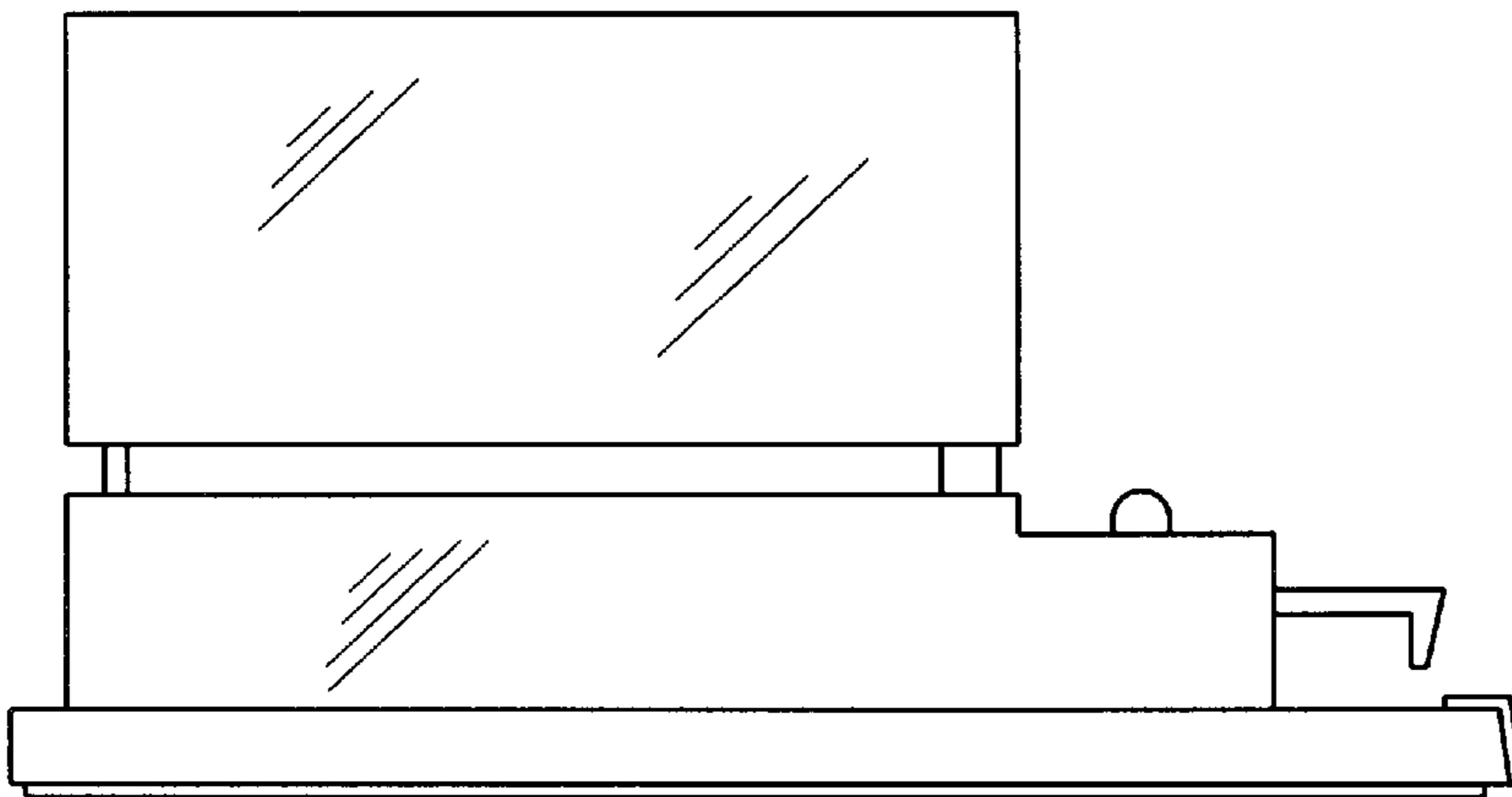
Fig. 2



*Fig. 5*



*Fig. 4*



*Fig. 6*

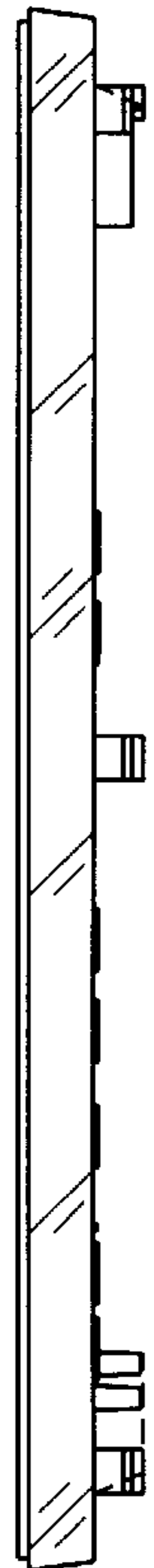


Fig. 7

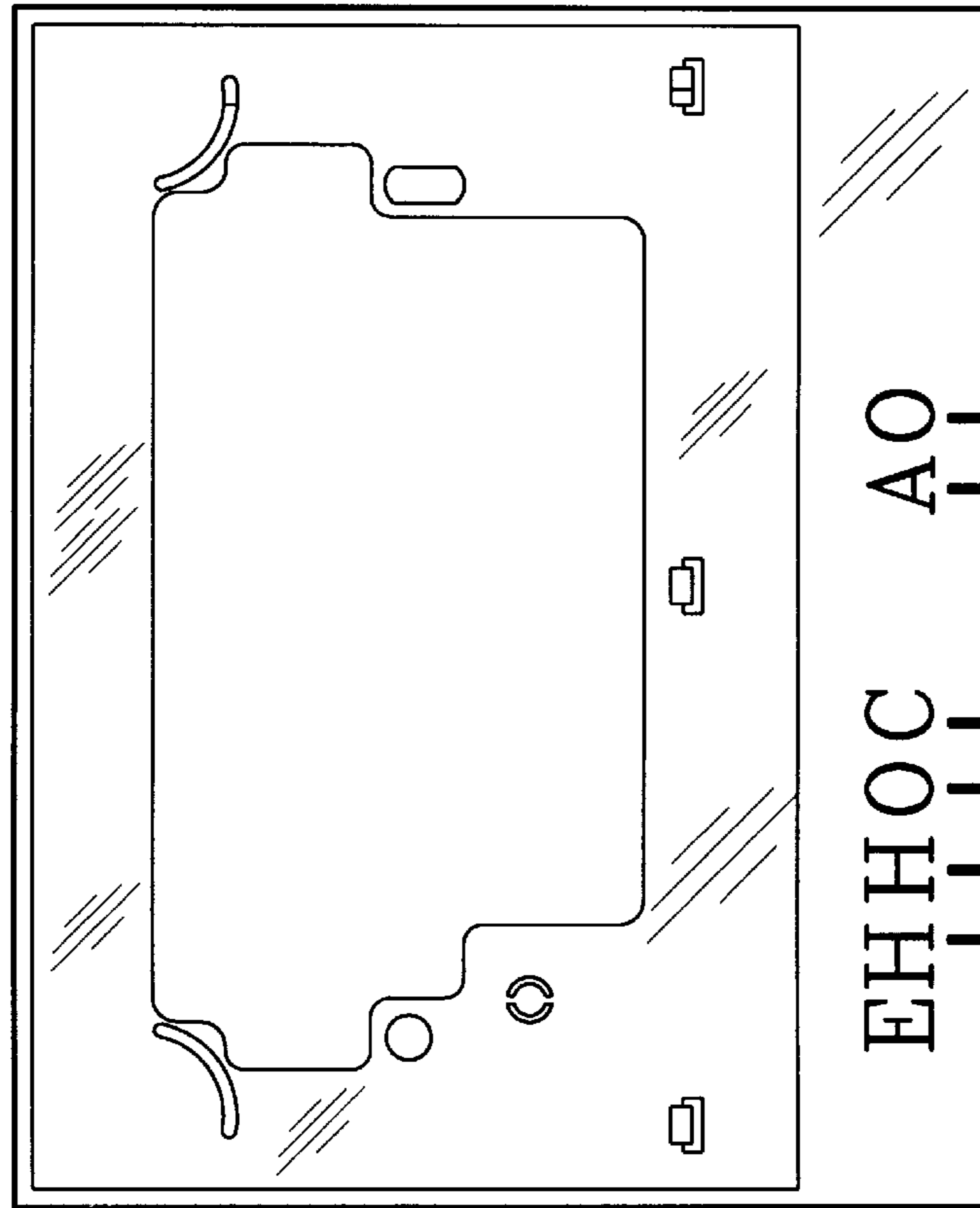


Fig. 8

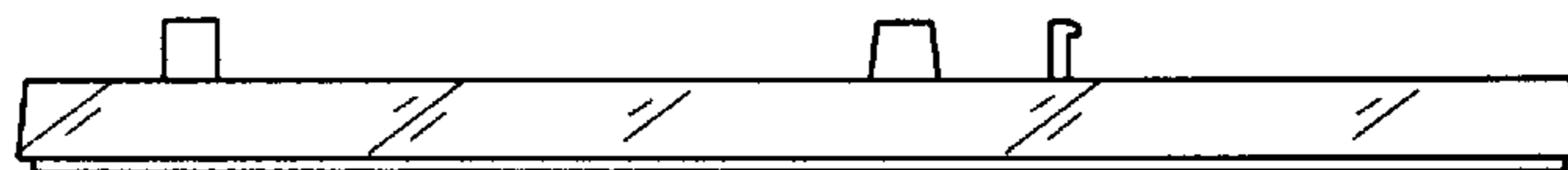


Fig. 9

Fig. 10

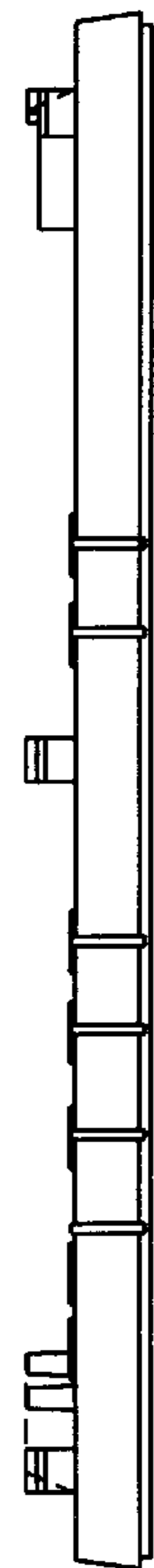
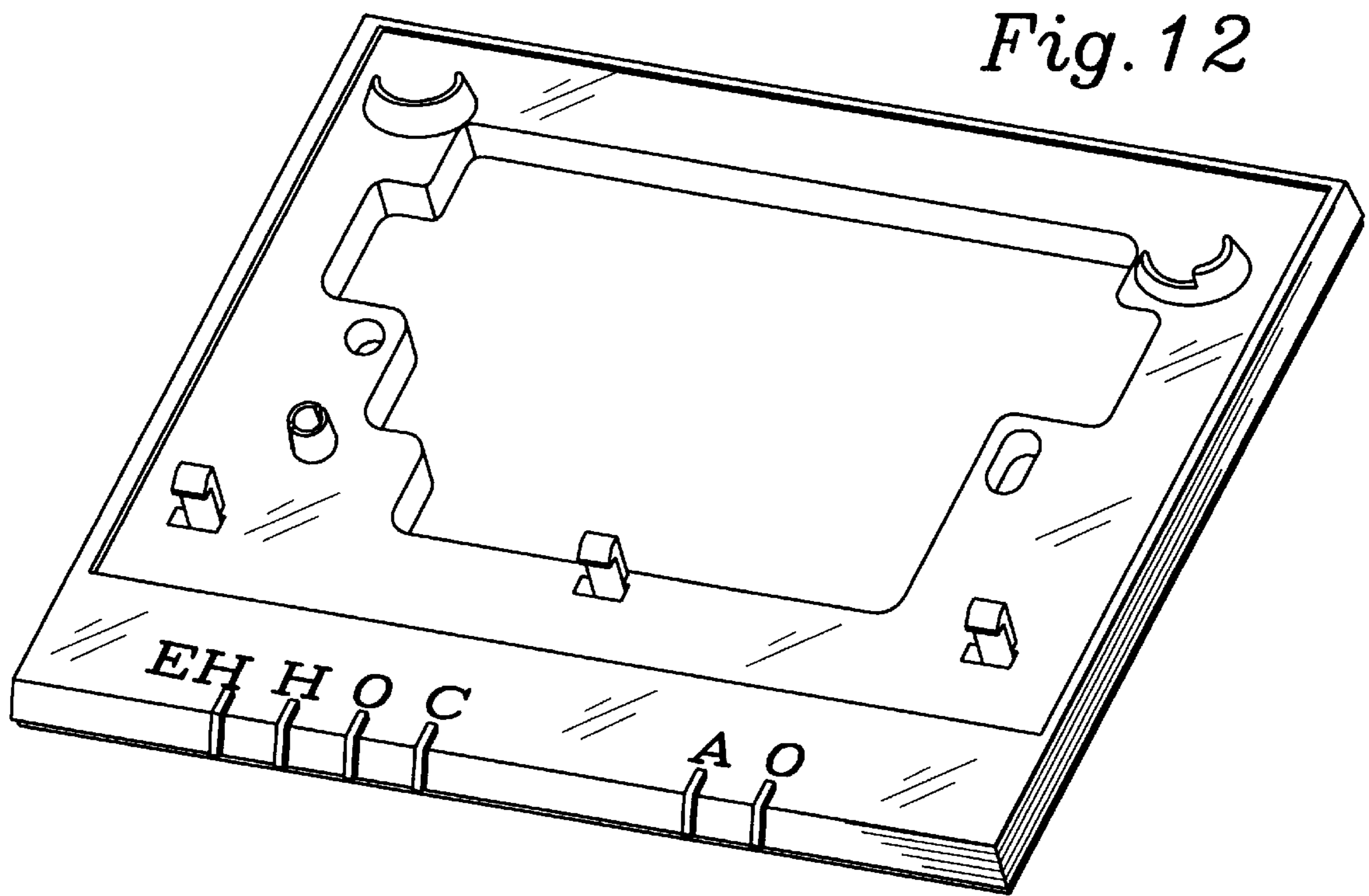
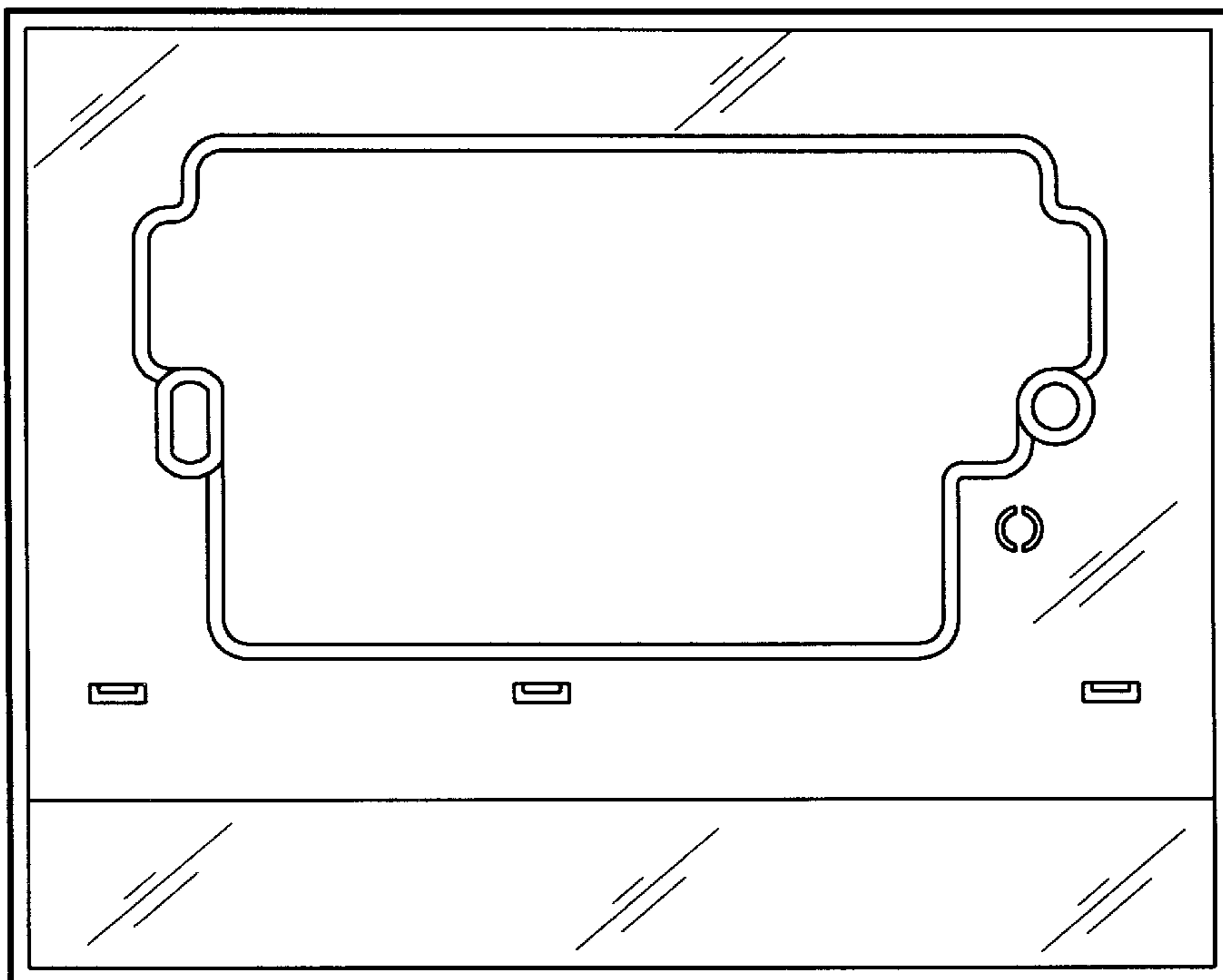
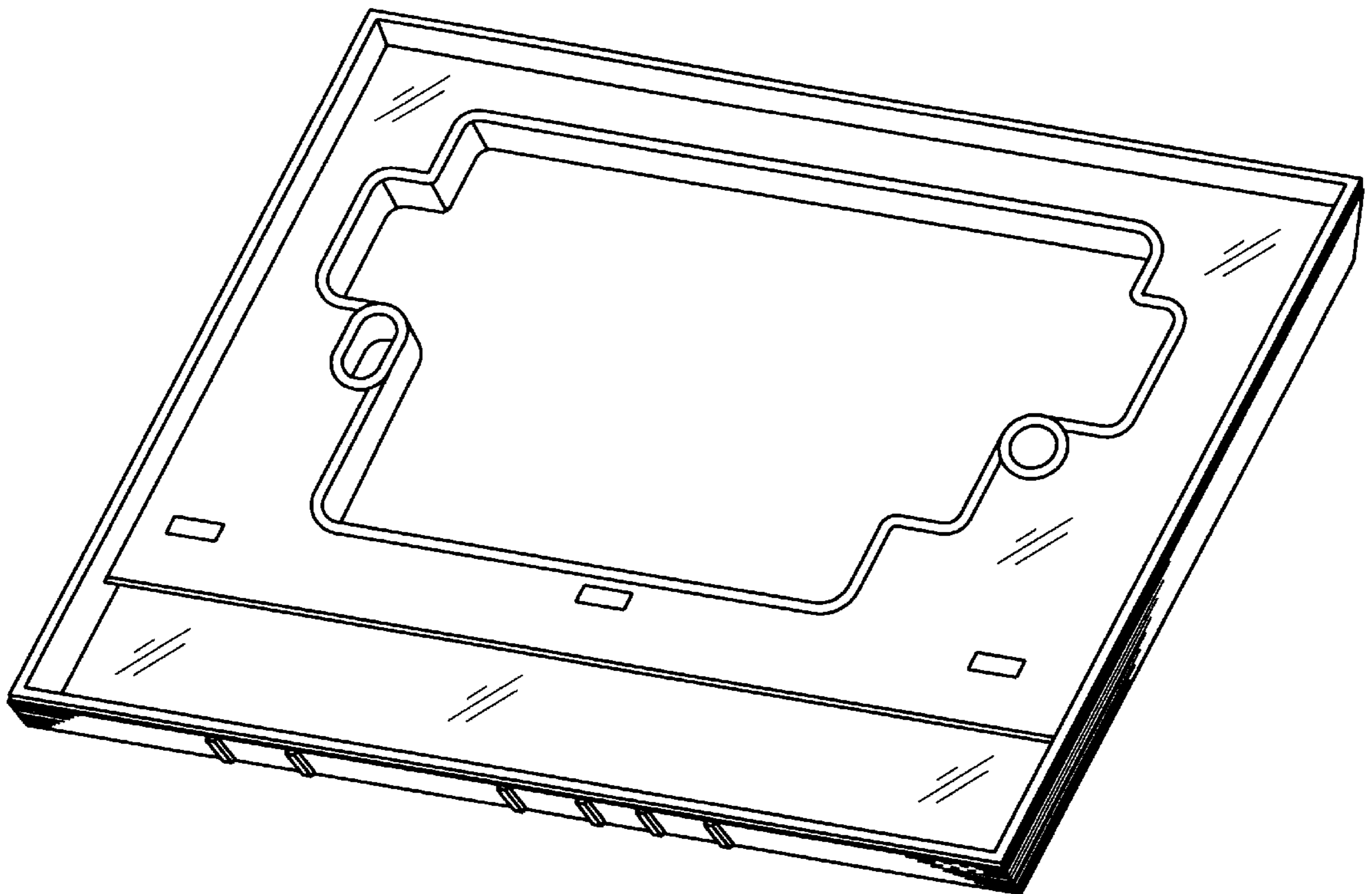


Fig. 11



*Fig. 13*





*Fig. 14*