



US00D421571S

United States Patent [19] Kilian

[11] **Patent Number: Des. 421,571**

[45] **Date of Patent: ** Mar. 14, 2000**

[54] **LID FOR A CONTAINER**

[76] Inventor: **Michael Tony Kilian**, PO Box 1128,
Bentley Delivery Centre WA 6983,
Australia

[**] Term: **14 Years**

[21] Appl. No.: **29/077,483**

[22] Filed: **Oct. 2, 1997**

[30] **Foreign Application Priority Data**

Sep. 4, 1997 [AU] Australia 1090/97

[51] **LOC (6) Cl.** **09-07**

[52] **U.S. Cl.** **D9/443; D9/447; D7/392**

[58] **Field of Search** D9/435, 443, 447;
D7/300, 312, 314, 318, 392, 398, 589;
215/396, 398; 222/465.1, 475, 475.1, 566,
567, 568

[56] **References Cited**

U.S. PATENT DOCUMENTS

- D. 194,890 3/1963 Marler D9/443
- D. 206,970 2/1967 Matthews D9/443 X

- D. 247,211 2/1978 Young D7/392
- 4,449,647 5/1984 Reed et al. 222/153.09
- 4,930,687 6/1990 Brindopke et al. 222/475.1
- 5,025,939 6/1991 Bunn et al. 215/398

Primary Examiner—Cathron B. Matta
Attorney, Agent, or Firm—Larson & Taylor

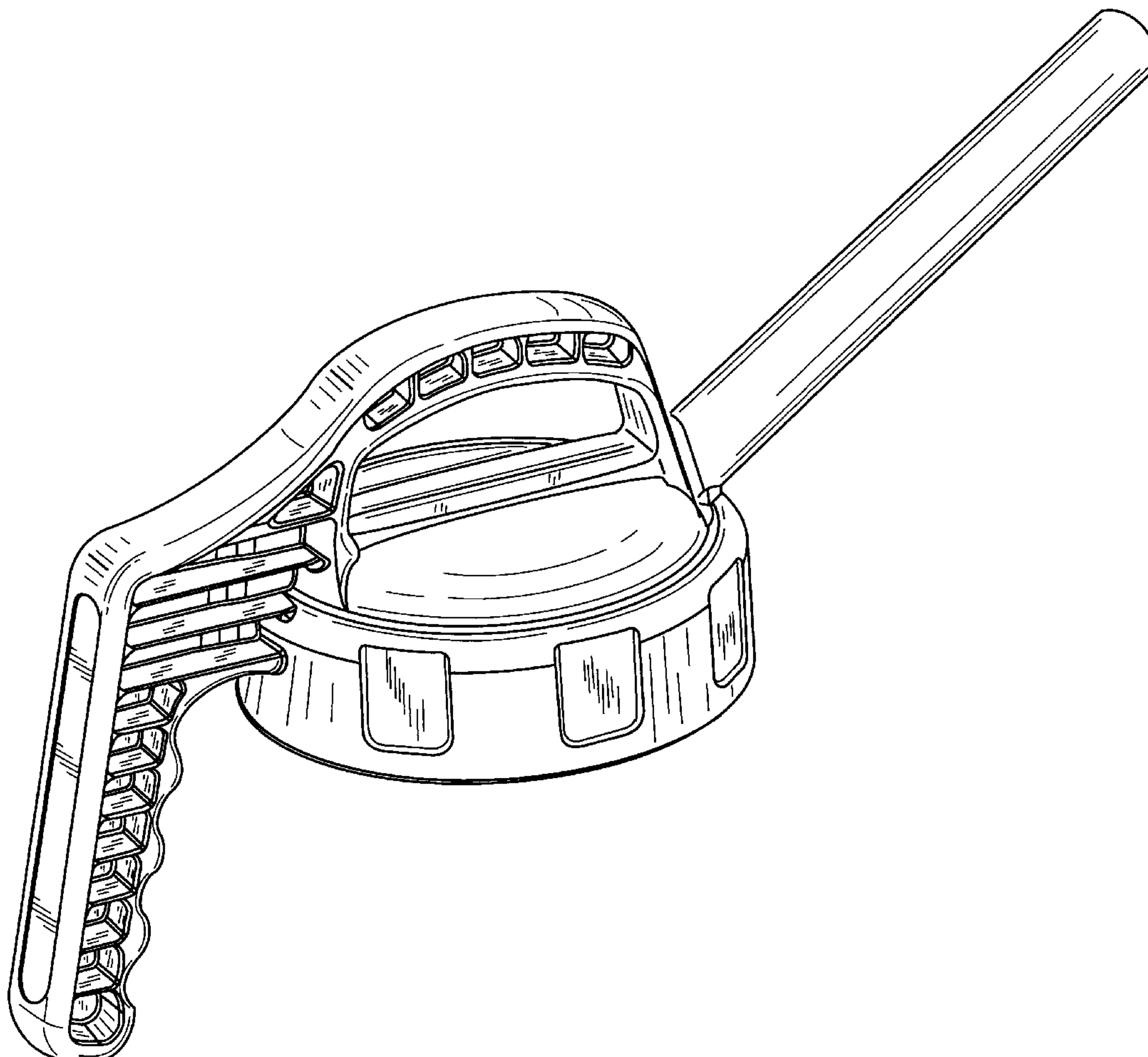
[57] **CLAIM**

The ornamental design for a lid for a container, as shown and described.

DESCRIPTION

FIG. 1 is a perspective view of a lid for a container, in accordance with the present invention; FIG. 2 is a front elevational view of the lid of FIG. 1; FIG. 3 is a rear elevational view of the lid of FIG. 1; FIG. 4 is a side elevational view of the lid of FIG. 1, the other side being a mirror image thereof; FIG. 5 is a top plan view of the lid of FIG. 1; and, FIG. 6 is a bottom plan view of the lid of FIG. 1. The interior of the closure is shown in broken lines for illustrative purposes only and forms no part of the claimed design.

1 Claim, 6 Drawing Sheets



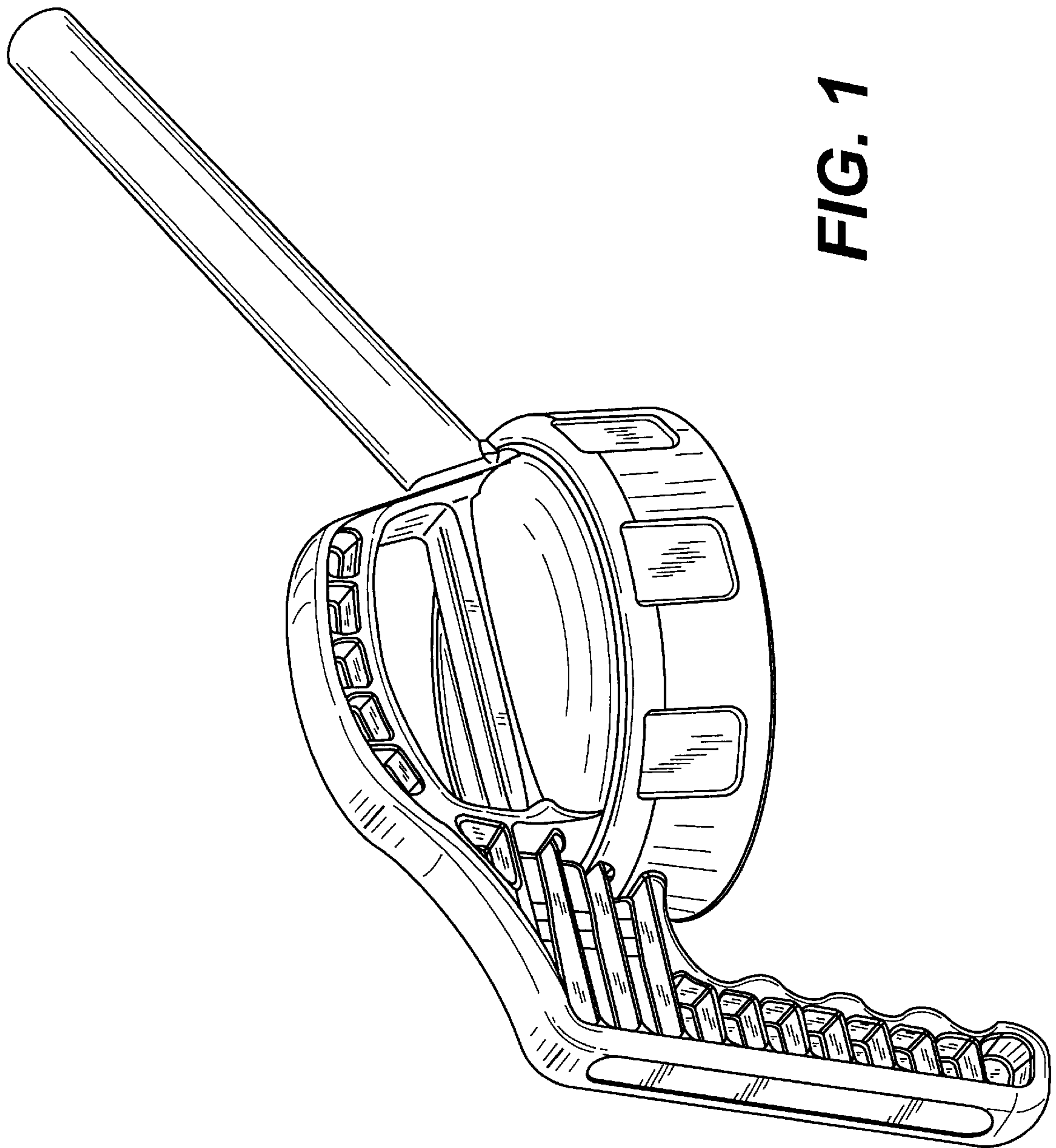


FIG. 1

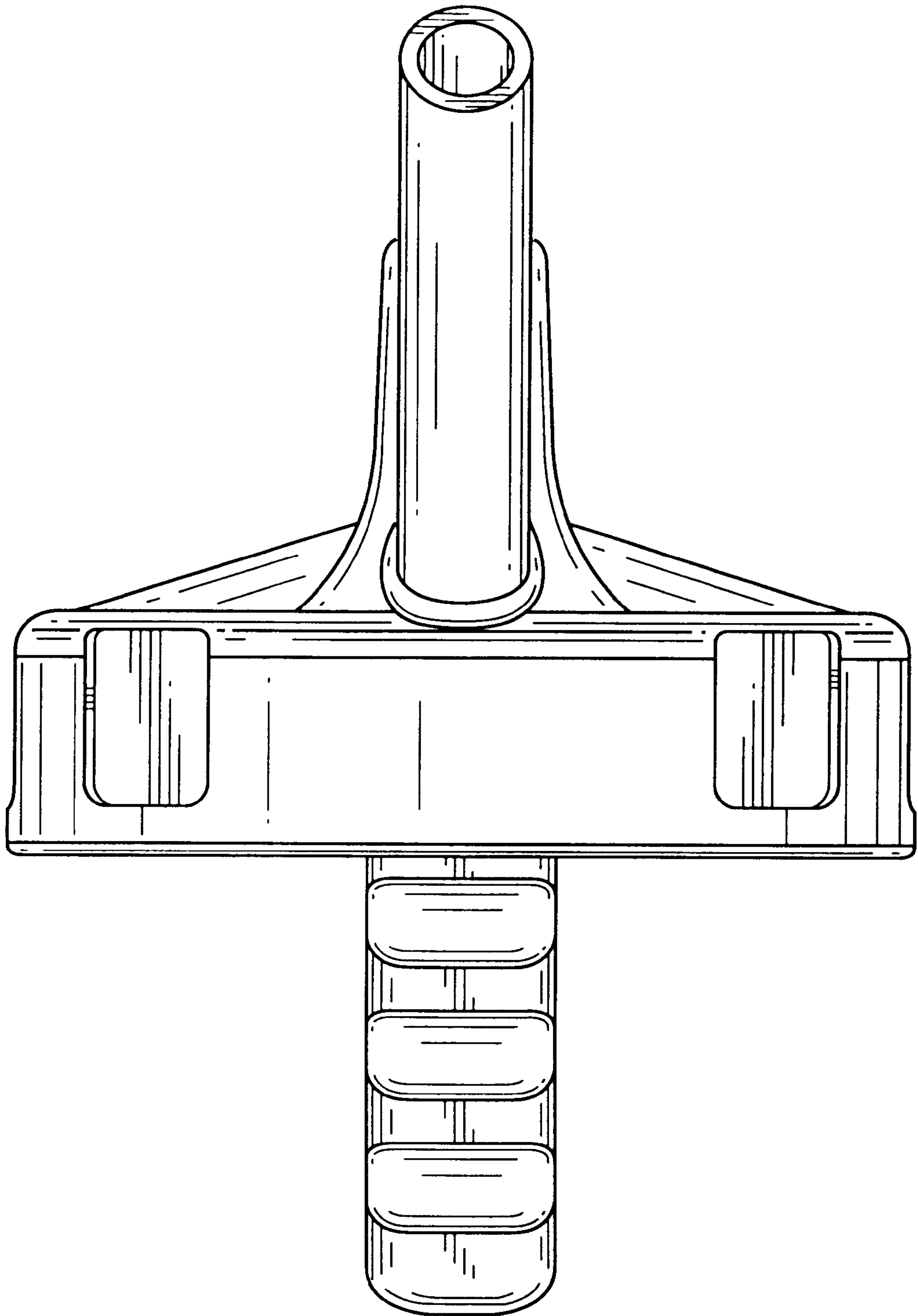


FIG. 2

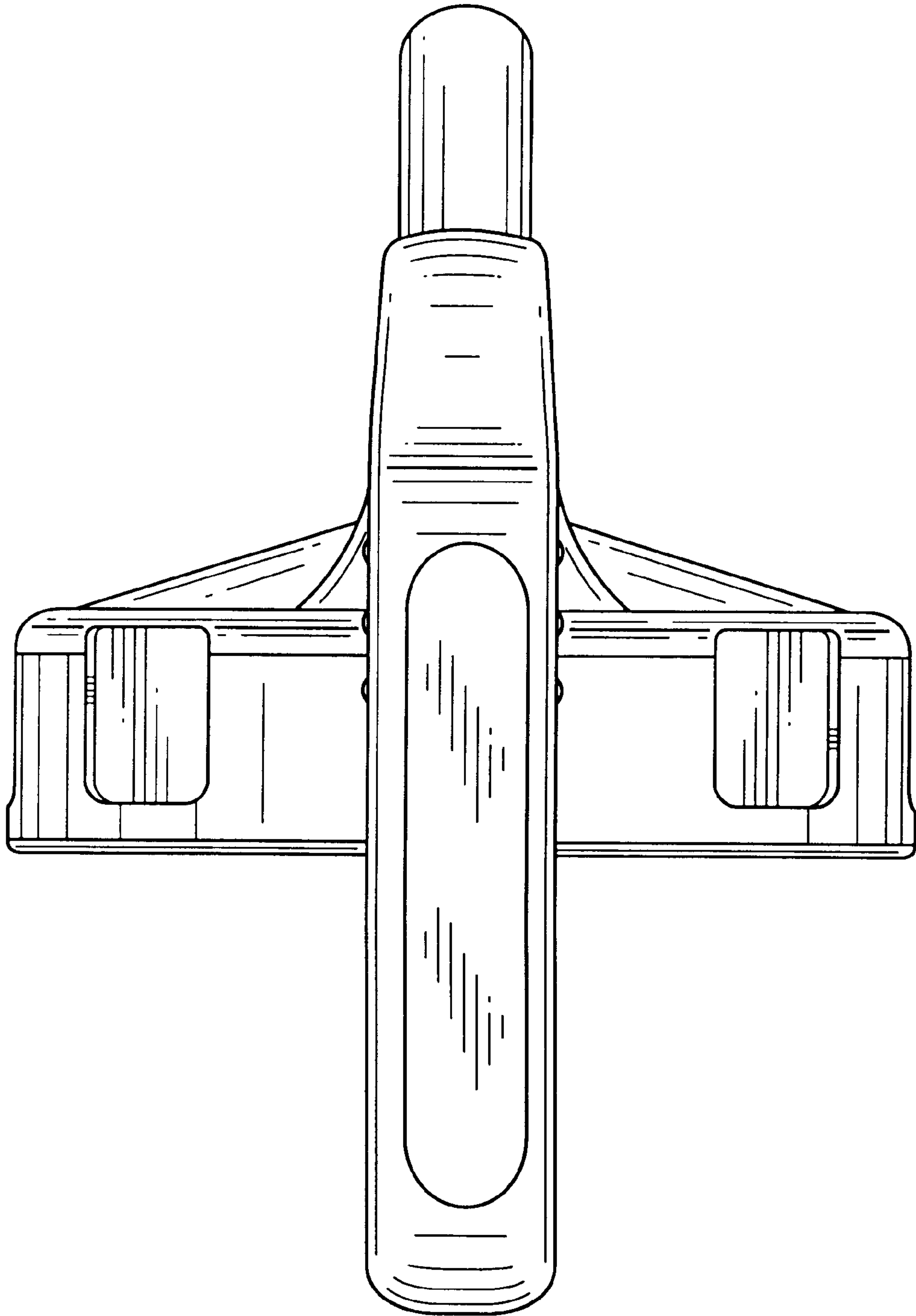


FIG. 3

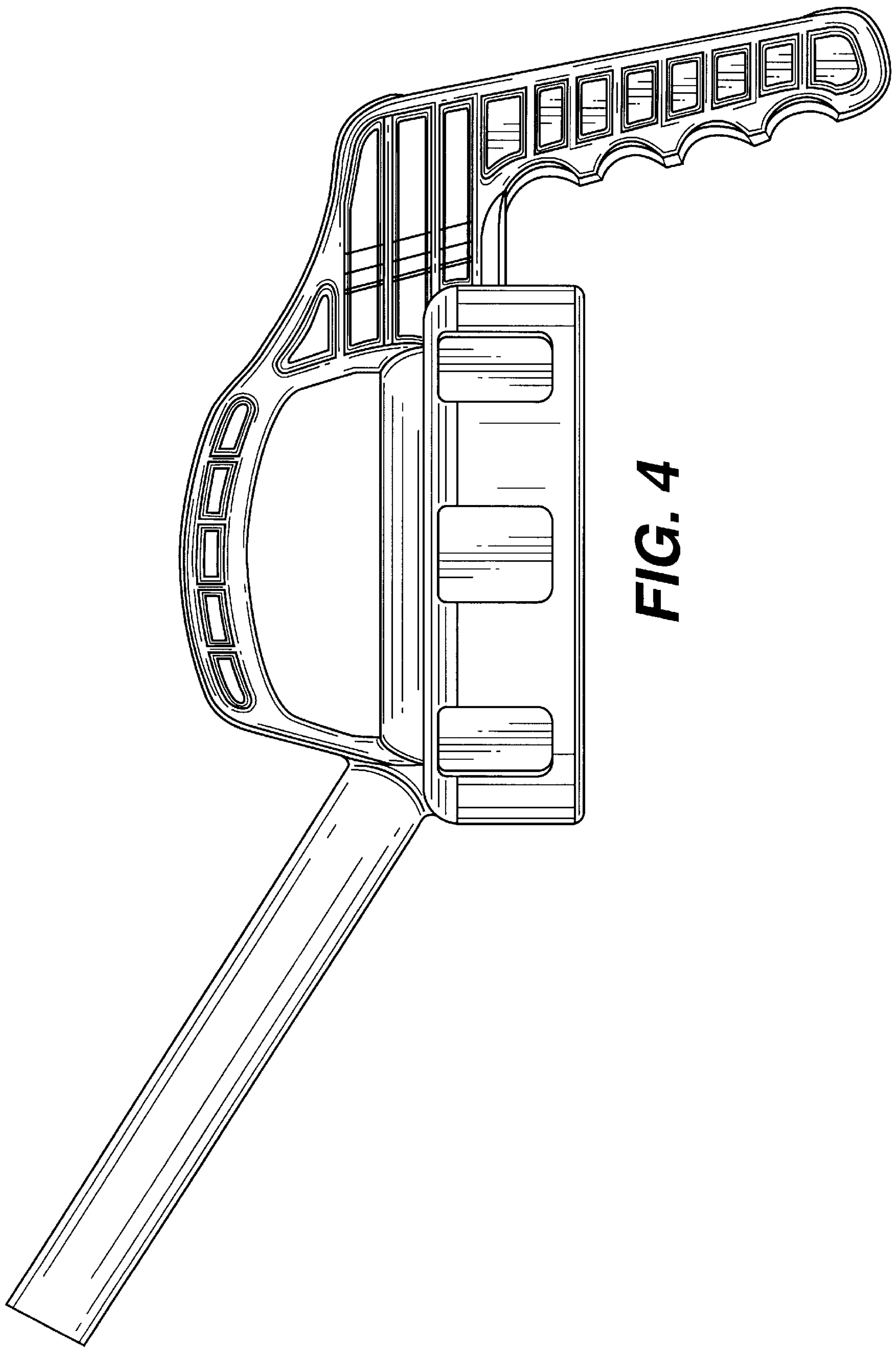


FIG. 4

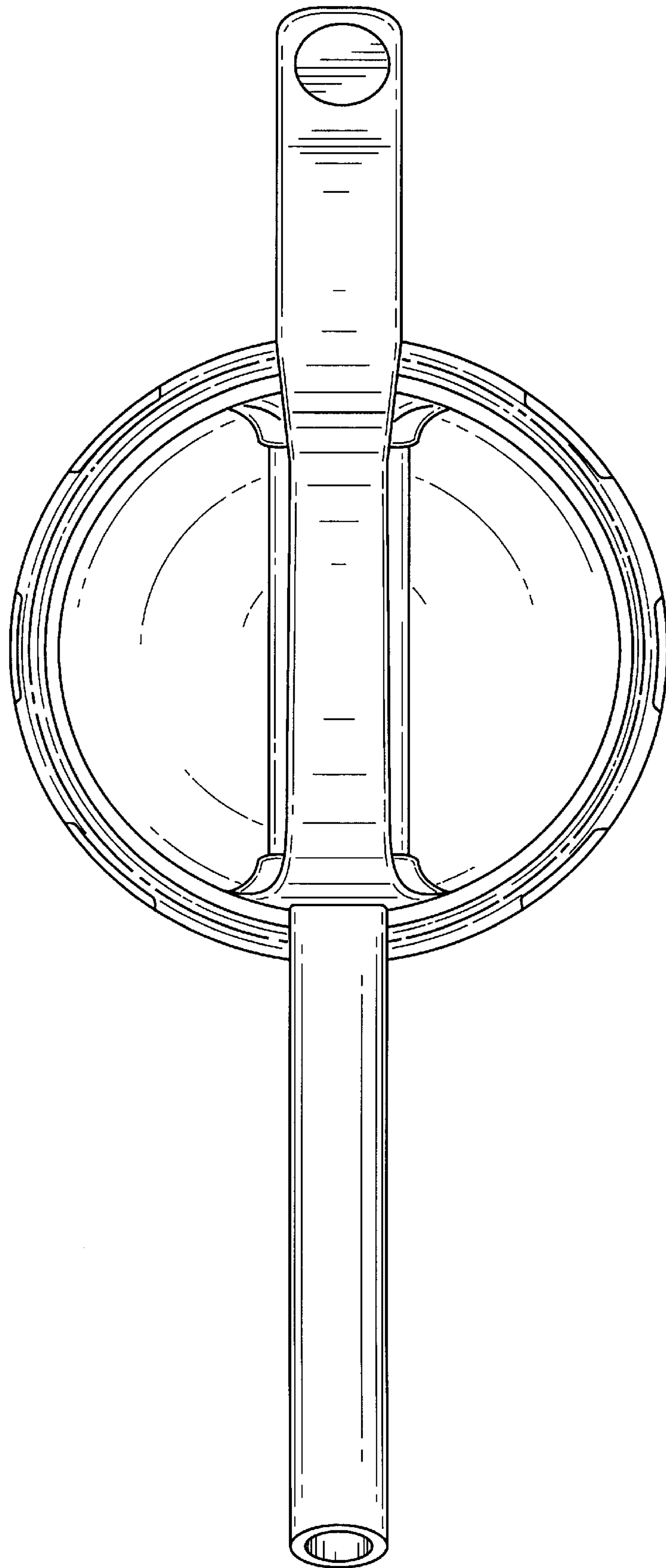


FIG. 5

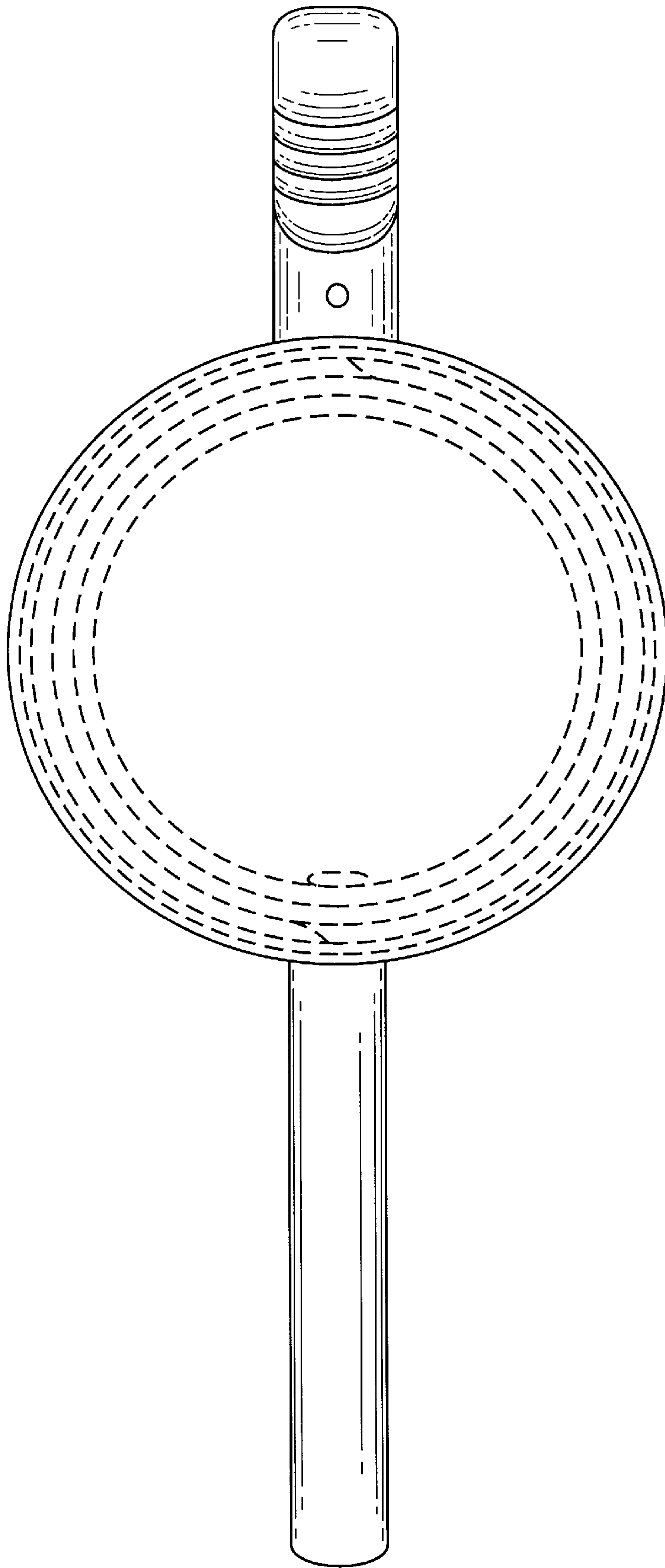


FIG. 6