



US00D421562S

United States Patent [19]
Persson

[11] **Patent Number: Des. 421,562**

[45] **Date of Patent: ** Mar. 14, 2000**

[54] **LOCKING DEVICE**

[75] Inventor: **Hans Persson**, Bollnäs, Sweden

[73] Assignee: **NEFAB AB**, Alfta, Sweden

[**] Term: **14 Years**

[21] Appl. No.: **29/091,333**

[22] Filed: **Jul. 28, 1998**

[30] **Foreign Application Priority Data**

Jan. 28, 1998 [SE] Sweden 98-0204

[51] **LOC (6) Cl.** **08-07**

[52] **U.S. Cl.** **D8/341**

[58] **Field of Search** D8/330, 331, 339,
D8/342, 341; 70/14, 49, 30; 24/16 PB,
DIG. 16, 302, 298

[56] **References Cited**

U.S. PATENT DOCUMENTS

3,588,792 6/1971 Kindell 24/298 X
4,249,760 2/1981 Conley 292/197
4,398,317 8/1983 Schubring 24/302 X

4,441,233 4/1984 Swift 24/16 PB
4,502,305 3/1985 Bakker 70/49

Primary Examiner—Susan J. Lucas
Assistant Examiner—Jennifer Rivard
Attorney, Agent, or Firm—Notaro & Michalos P.C.

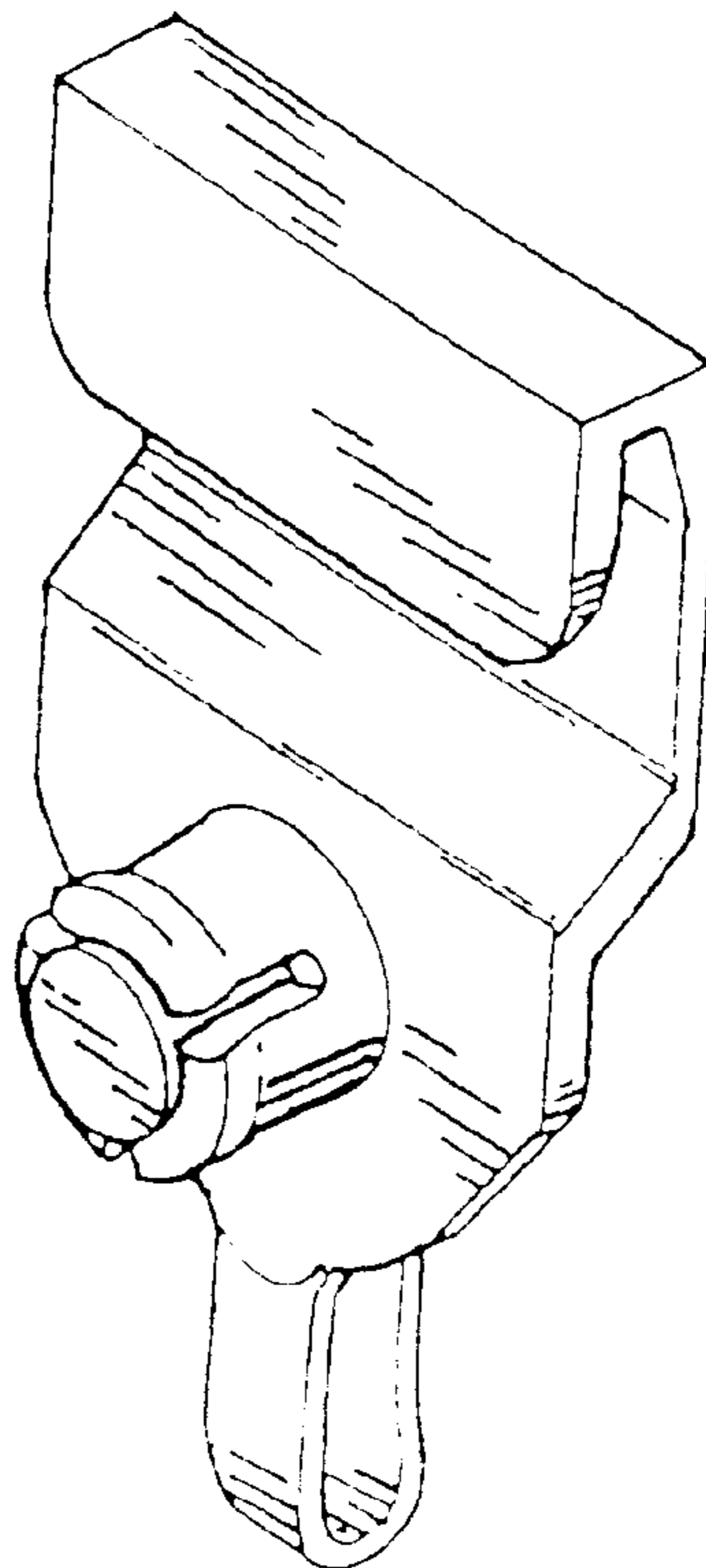
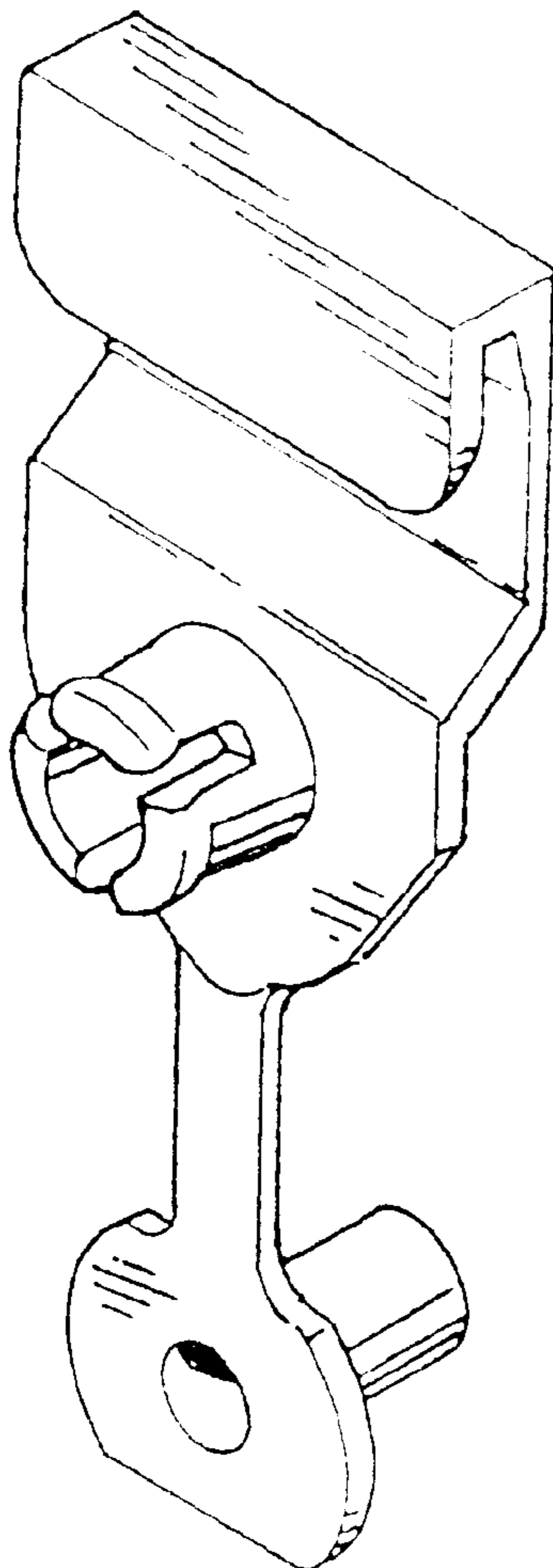
[57] **CLAIM**

The ornamental design for a locking device, as shown and described.

DESCRIPTION

FIG. 1 is a rear top left perspective view of a locking device, showing my new design therefor;
FIG. 2 is a front top left perspective view thereof;
FIG. 3 is a rear top left perspective view thereof, with a tabbed portion thereof shown in an engaged position;
FIG. 4 is a front top left perspective view of the position of FIG. 1;
FIG. 5 is a rear top left perspective view of the locking device in a further use position; and,
FIG. 6 is a front top left perspective view of the device in the use position of FIG. 5.

1 Claim, 2 Drawing Sheets



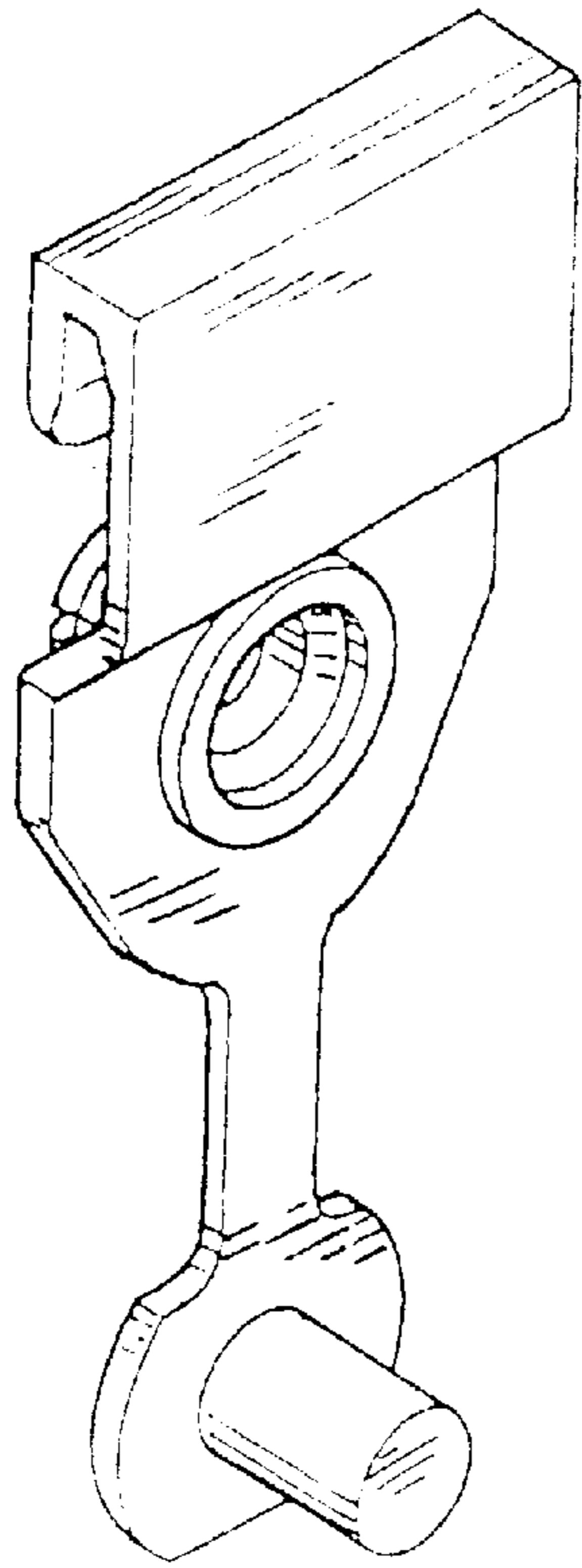


FIG. 1

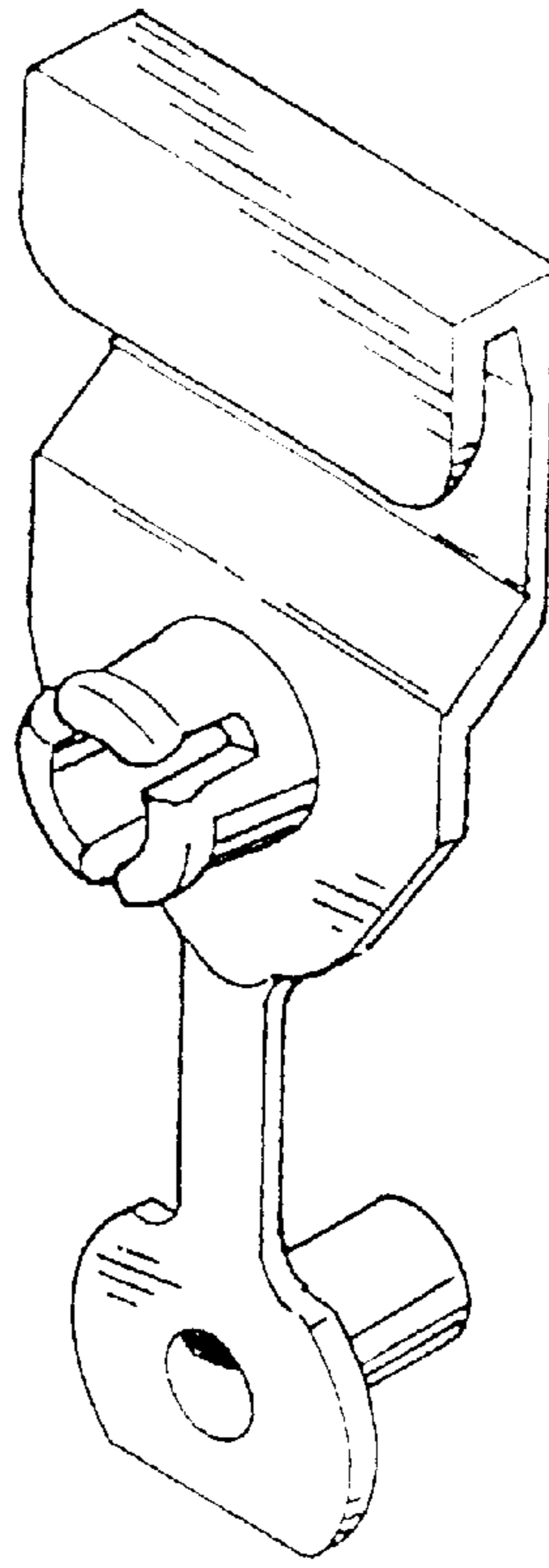


FIG. 2

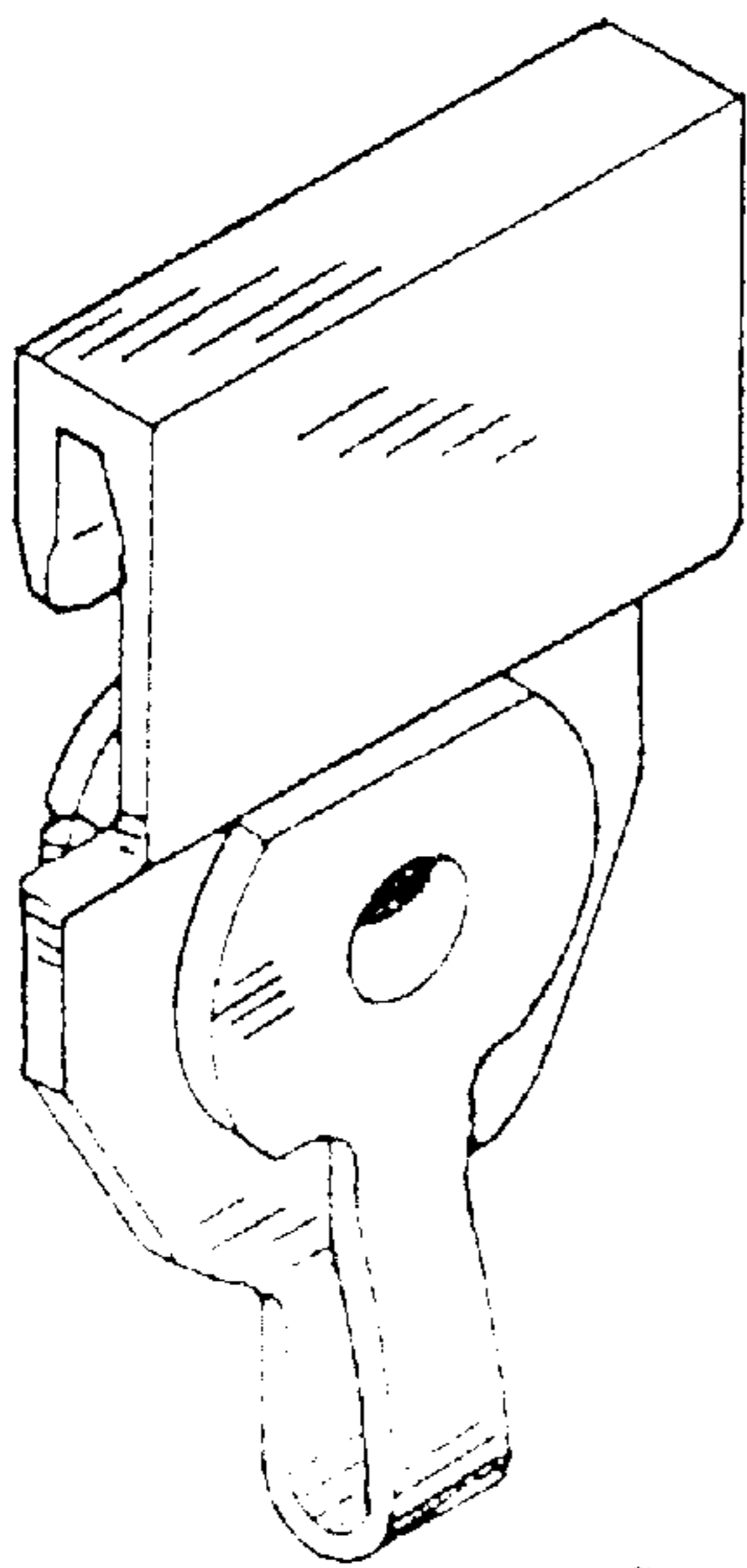


FIG. 3

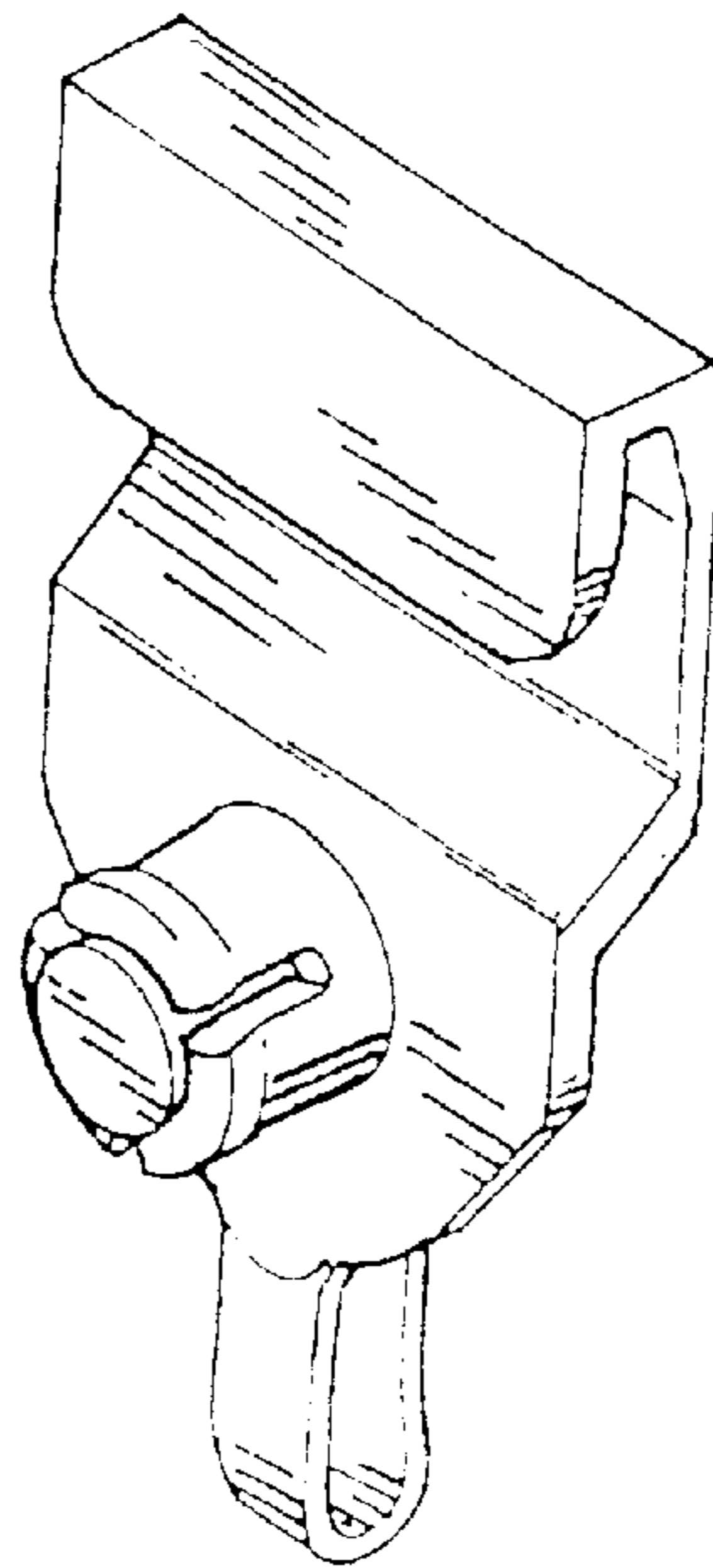


FIG. 4

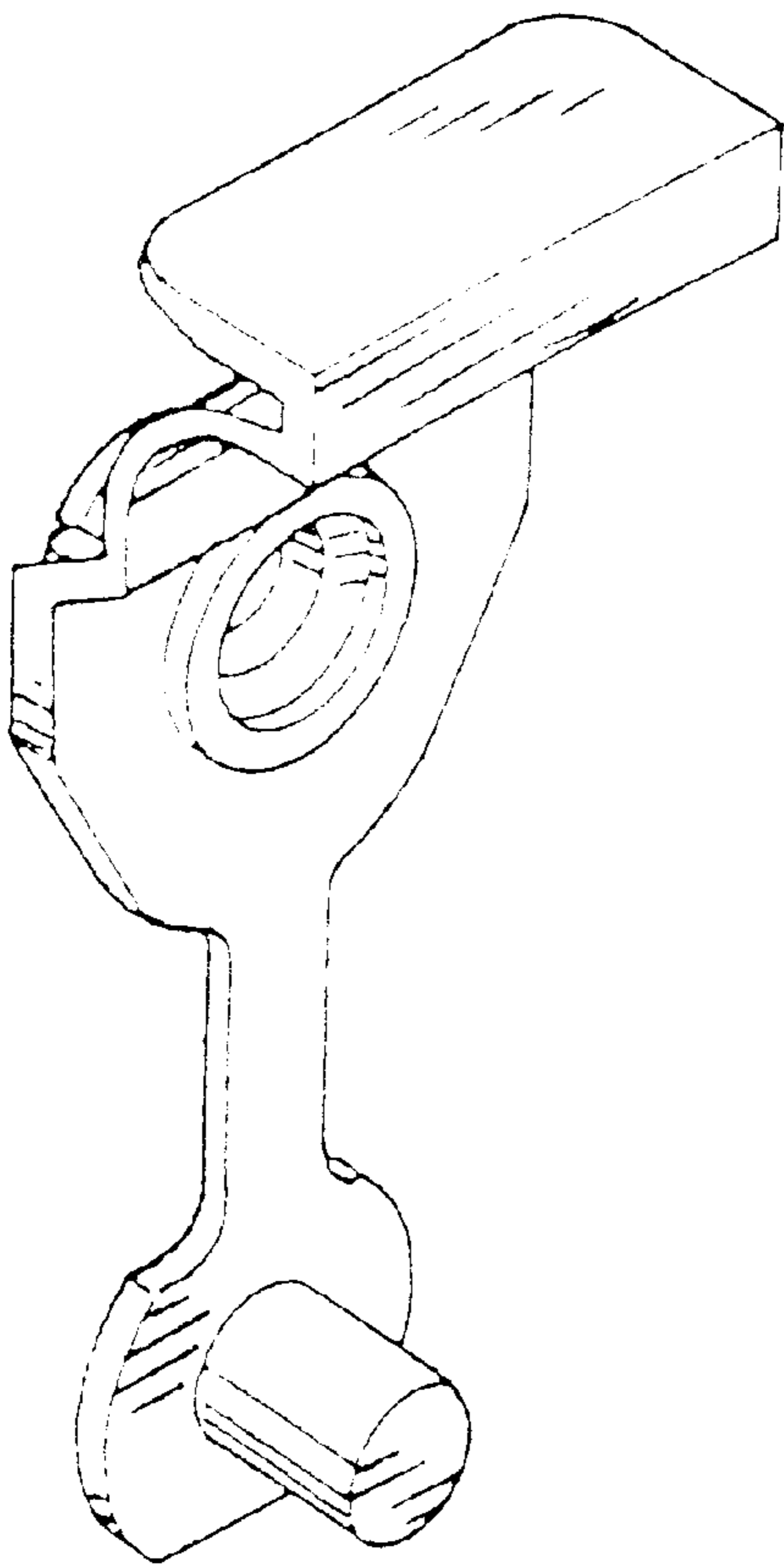


FIG. 5

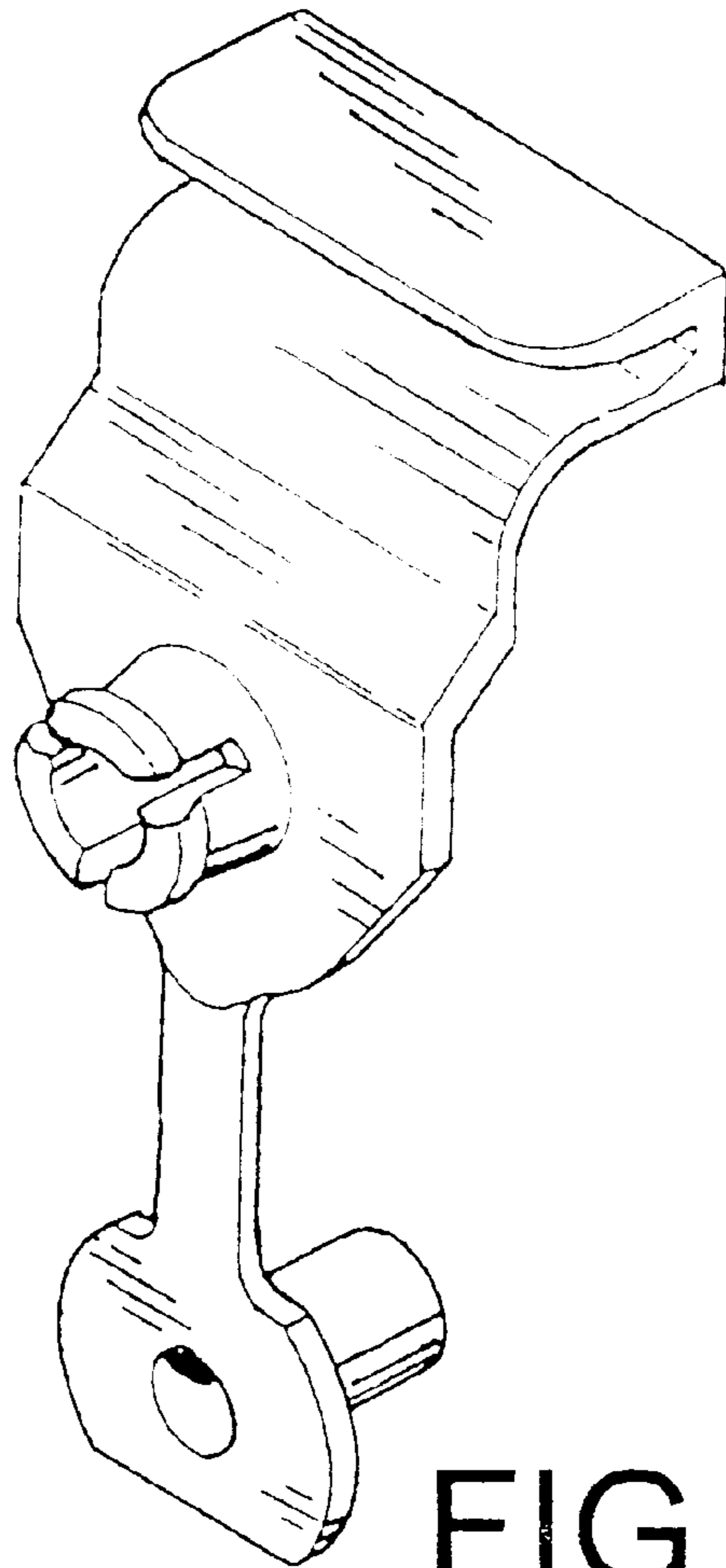


FIG. 6