



US00D421558S

United States Patent [19]

Shigo et al.

[11] Patent Number: Des. 421,558

[45] Date of Patent: ** Mar. 14, 2000

[54] BATTERY-HANDLE HOUSING ASSEMBLY FOR A PORTABLE POWER TOOL

[75] Inventors: Peter J. Shigo, Gilbert; Charles M. Wacker, Chandler; Kenneth M. Brazell, Phoenix, all of Ariz.

[73] Assignee: Ryobi North America, Inc., Anderson, S.C.

[**] Term: 14 Years

[21] Appl. No.: 29/090,959

[22] Filed: Jul. 21, 1998

[51] LOC (6) Cl. 08-05

[52] U.S. Cl. D8/61; D8/69

[58] Field of Search D8/61-70; 173/216, 173/217, 213; 320/112, 213

[56] References Cited

U.S. PATENT DOCUMENTS

| | | | |
|------------|---------|-------------------|---------|
| D. 317,852 | 7/1991 | Fujiwara et al. . | |
| D. 332,455 | 1/1993 | Whetsel . | |
| D. 335,674 | 5/1993 | Hoshino . | |
| D. 352,430 | 11/1994 | Kikuchi . | |
| D. 406,033 | 2/1999 | Gouge | D8/61 |
| 3,757,194 | 9/1973 | Weber et al. | 320/112 |

| | | | |
|-----------|---------|-----------------------|---------|
| 3,759,336 | 9/1973 | Marcovitz et al. | 173/213 |
| 3,973,179 | 8/1976 | Weber et al. | 320/113 |
| 5,033,552 | 7/1991 | Hu | 173/217 |
| 5,181,369 | 1/1993 | Everts . | |
| 5,265,341 | 11/1993 | Kikuchi . | |
| 5,375,666 | 12/1994 | Pettet et al. . | |
| 5,525,889 | 6/1996 | Chan et al. | 173/217 |
| 5,603,173 | 2/1997 | Brazell . | |
| 5,644,844 | 7/1997 | Pink | 30/276 |
| 5,802,724 | 9/1998 | Rickard et al. . | |
| 5,902,080 | 5/1999 | Kopras | 409/182 |

Primary Examiner—Nelson C. Holtje
Attorney, Agent, or Firm—Brooks & Kushman P.C.

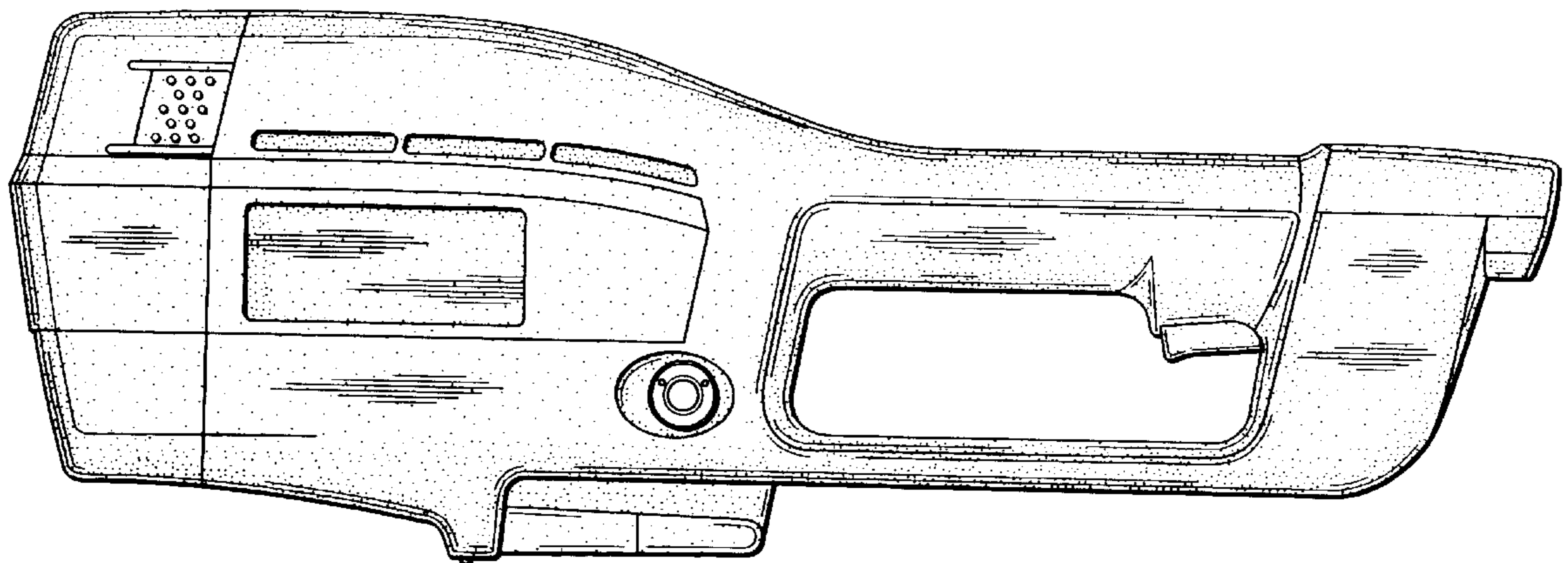
[57] CLAIM

The ornamental design for a battery-handle housing assembly for a portable power tool, as shown and described.

DESCRIPTION

FIG. 1 is a right side elevational view of the battery-handle housing assembly for a portable power tool; FIG. 2 is a left side elevational view; FIG. 3 is a top plan view; FIG. 4 is a bottom plan view; FIG. 5 is a front end elevational view; and, FIG. 6 is a rear end elevational view.

1 Claim, 2 Drawing Sheets



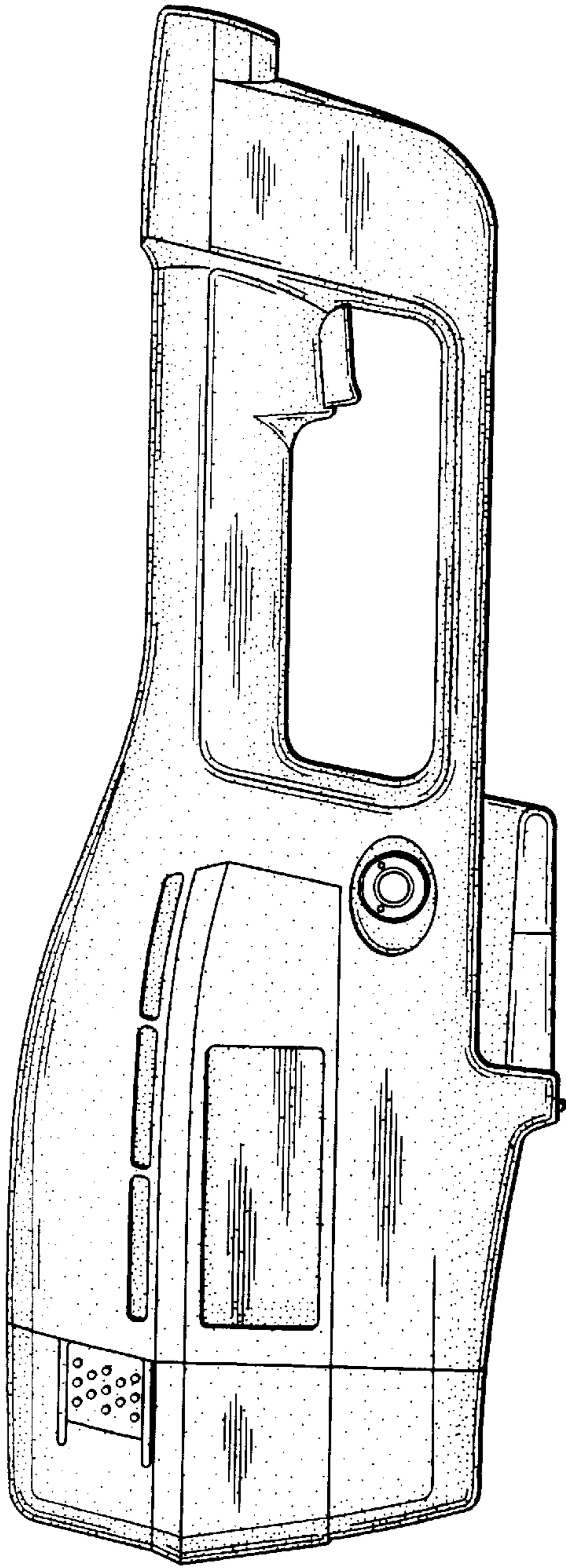


Fig. 1

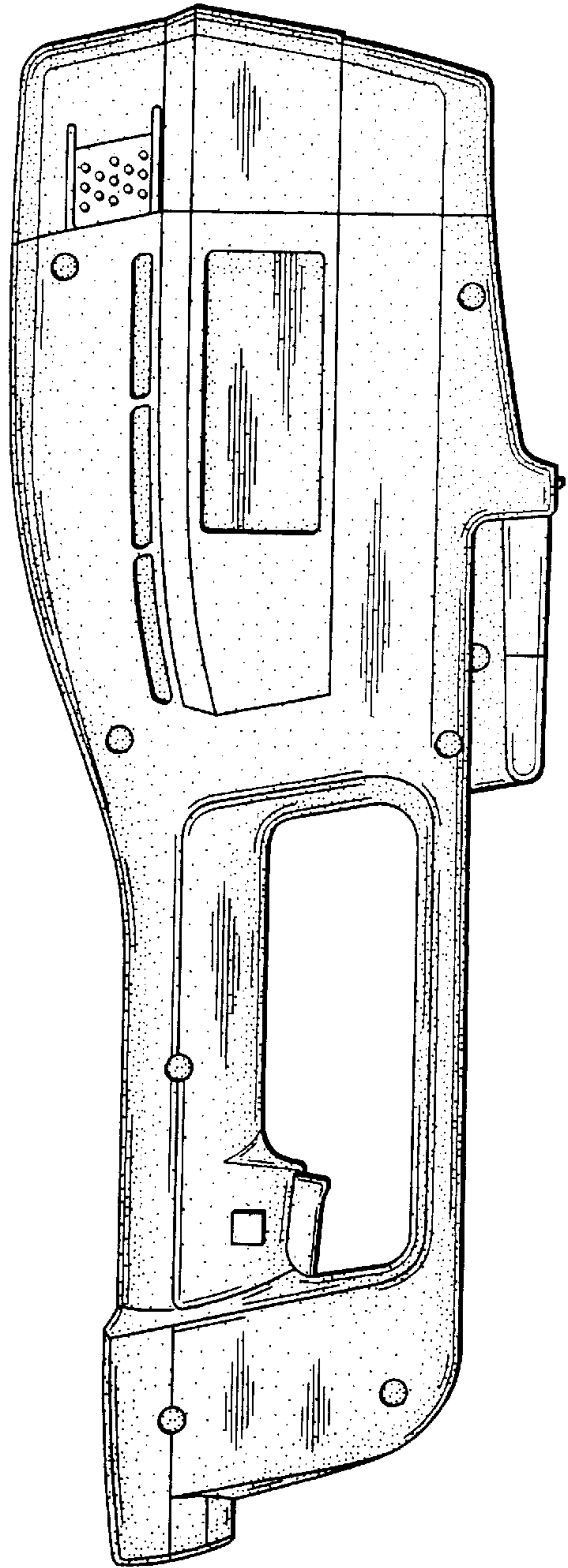


Fig. 2

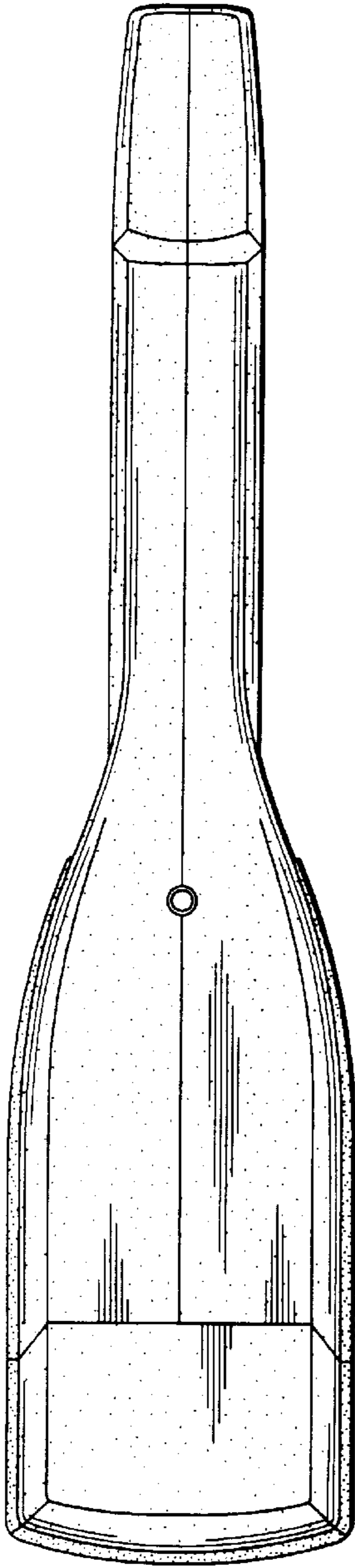


Fig. 3

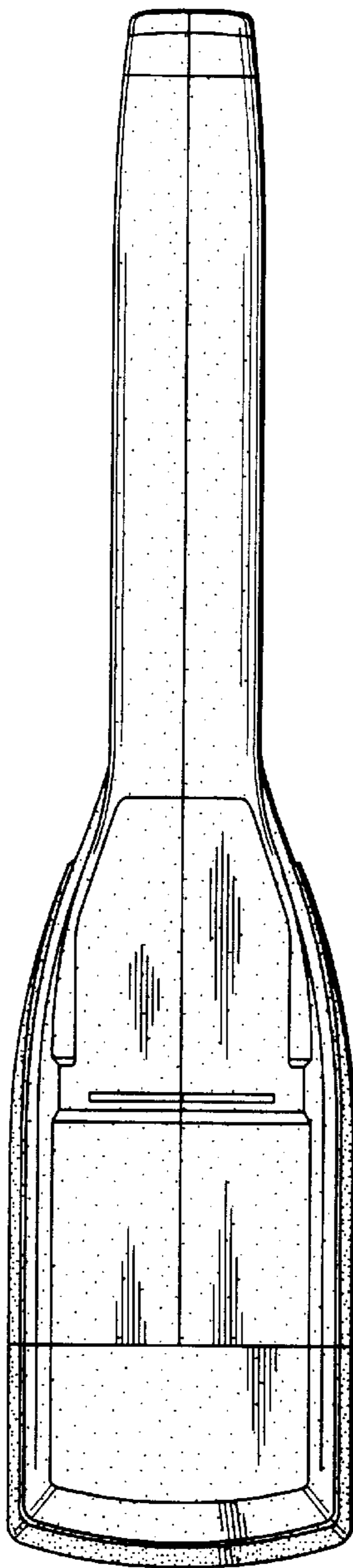


Fig. 4

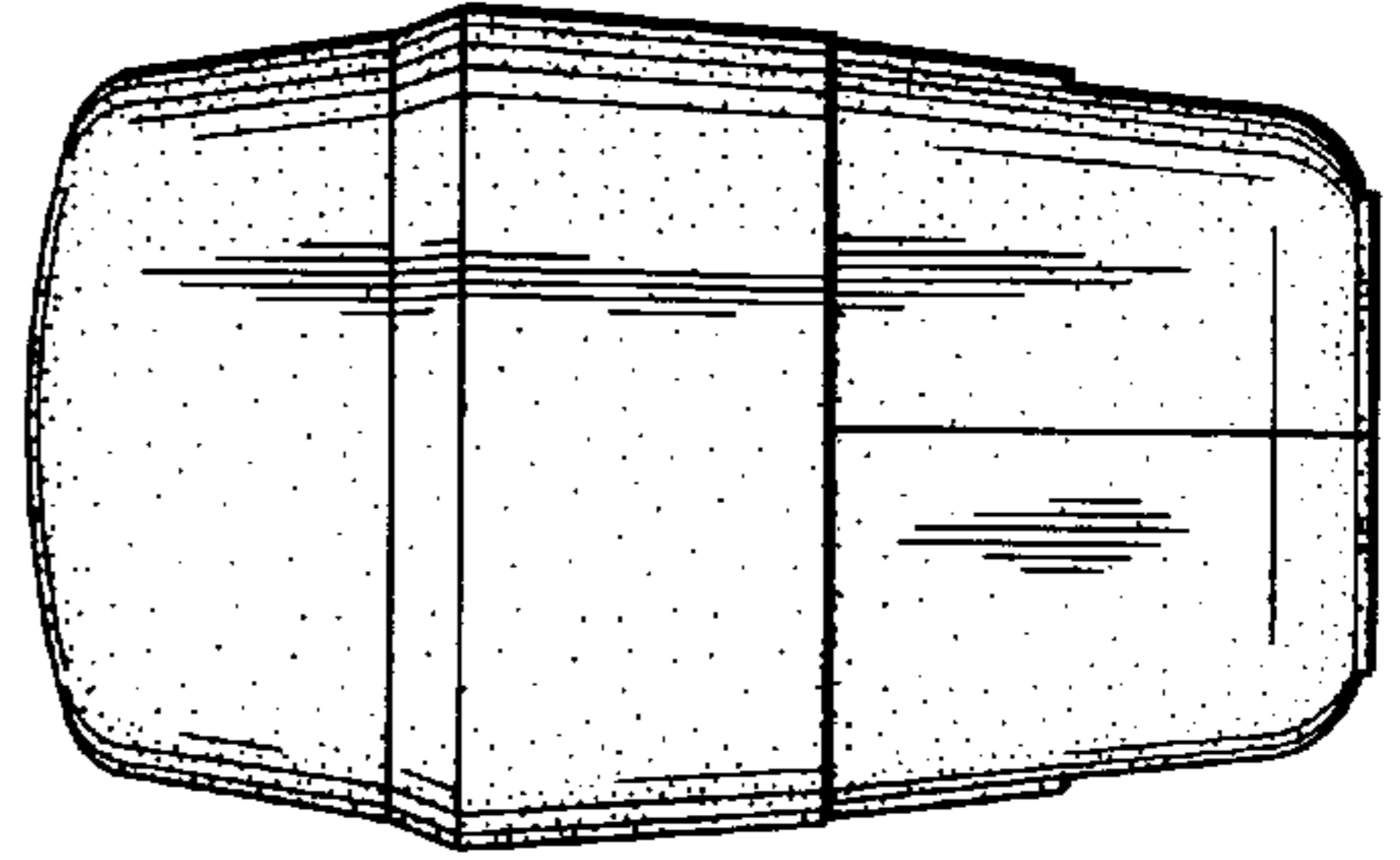


Fig. 6

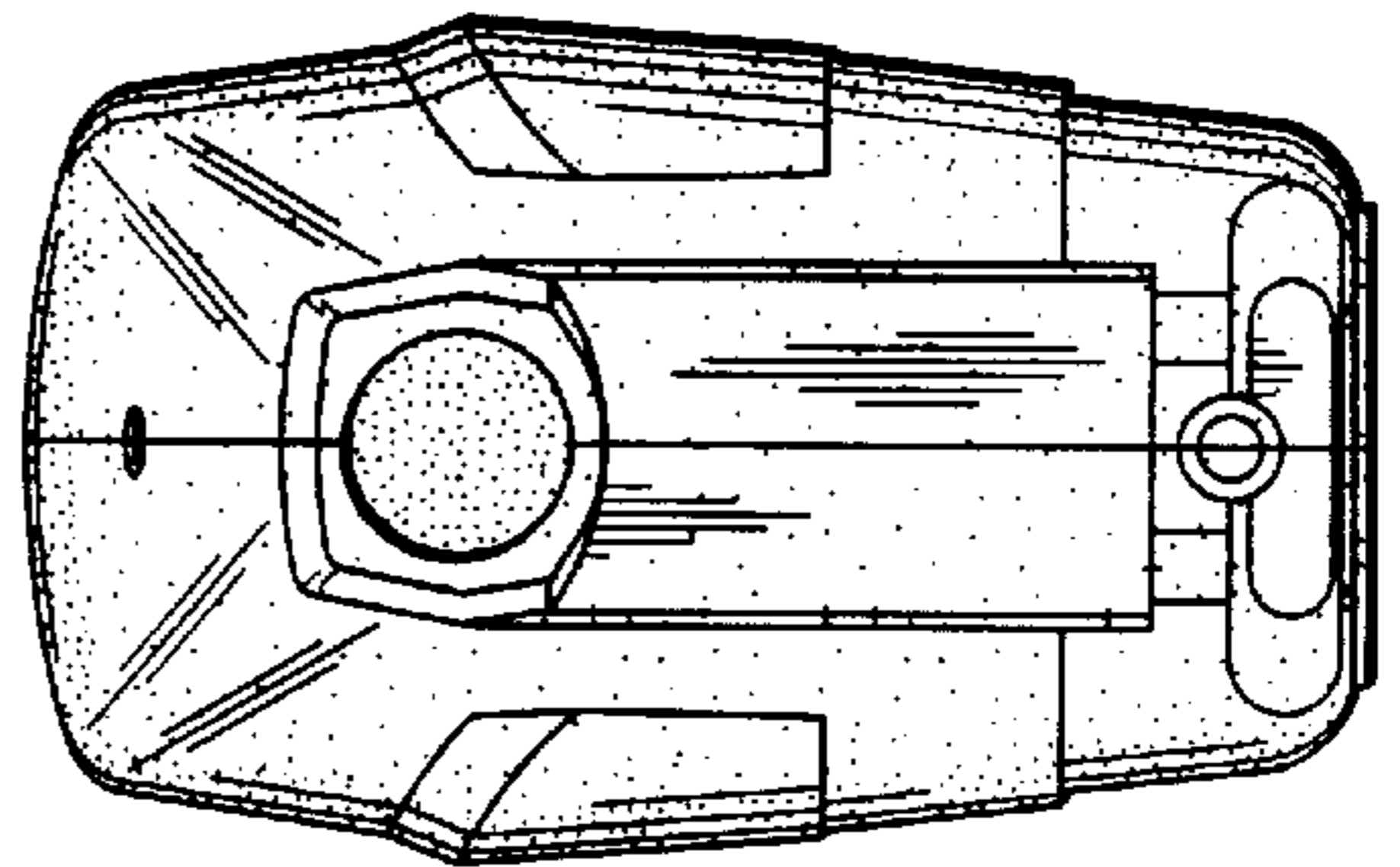


Fig. 5