



US00D421554S

United States Patent [19]
Govrik et al.

[11] **Patent Number: Des. 421,554**

[45] **Date of Patent: ** Mar. 14, 2000**

[54] **EXPANDABLE FLATWARE DRAWER**

[75] Inventors: **Devee J. Govrik; Christopher D. Govrik**, both of Lillydale, Minn.

[73] Assignee: **DV International, Inc.**, St. Paul, Minn.

[**] Term: **14 Years**

[21] Appl. No.: **29/097,370**

[22] Filed: **Dec. 4, 1998**

[51] **LOC (6) Cl.** **06-04**

[52] **U.S. Cl.** **D7/637; D6/510**

[58] **Field of Search** D7/637-741; D6/510,
D6/432, 436, 477-479; D19/75-77, 86,
90; D3/310, 313; 211/70.6, 70.7; 206/553,
557, 562, 564; 312/330.1, 348.3

[56] **References Cited**

U.S. PATENT DOCUMENTS

D. 332,553	1/1993	Giugiaro	D7/637
D. 336,190	6/1993	Hall	D6/510
D. 353,078	12/1994	Davis et al.	D7/637
D. 397,274	8/1998	Hise	D7/637
3,135,383	6/1964	Bloch	206/553
4,461,520	7/1984	Alneng	312/348.3

Primary Examiner—Terry A. Wallace
Attorney, Agent, or Firm—Merchant & Gould P.C.

[57] **CLAIM**

The ornamental design for expandable flatware drawer, as shown and described.

DESCRIPTION

FIG. 1 is a top, front, right side perspective view of the expandable flatware drawer;

FIG. 2 is a top, front, right side perspective view of the expandable flatware drawer shown in an expanded position;

FIG. 3 is a top elevational view of the expandable flatware drawer;

FIG. 4 is a bottom elevational view of the expandable flatware drawer;

FIG. 5 is a right side elevational view of the expandable flatware drawer;

FIG. 6 is a left side elevational view of the expandable flatware drawer;

FIG. 7 is a front, elevational view thereof of the movable drawer piece;

FIG. 8 is a rear, elevational view thereof of the stationary drawer piece.

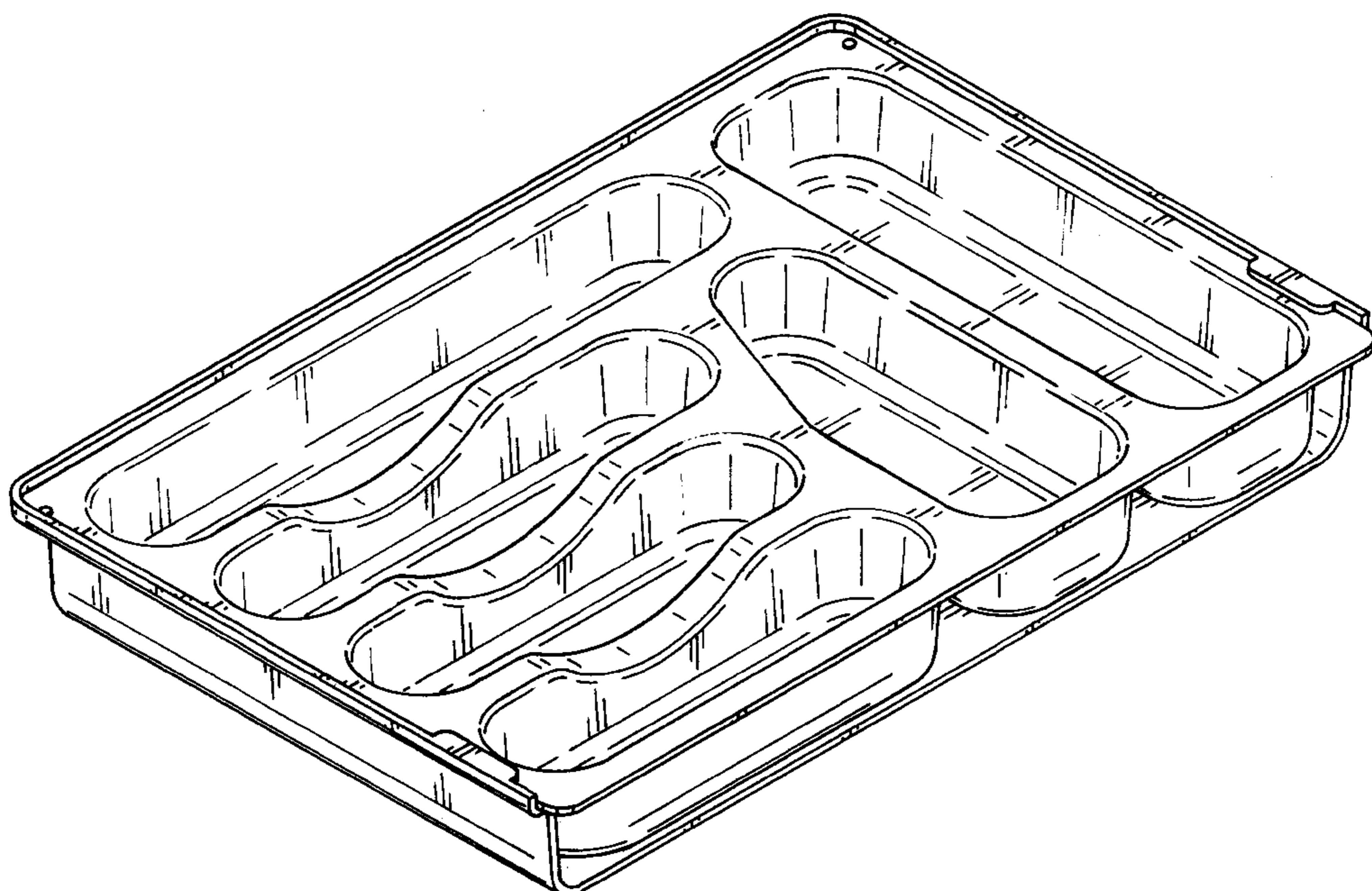
FIG. 9 is a top, front, right side perspective view of a second embodiment of the expandable flatware drawer;

FIG. 10 is a top, front, right side perspective view of a second embodiment of the expandable flatware drawer shown in an expanded position;

FIG. 11 is a top elevational view of a second embodiment of the expandable flatware drawer; and,

FIG. 12 is a bottom elevational view of a second embodiment of the expandable flatware drawer.

1 Claim, 10 Drawing Sheets



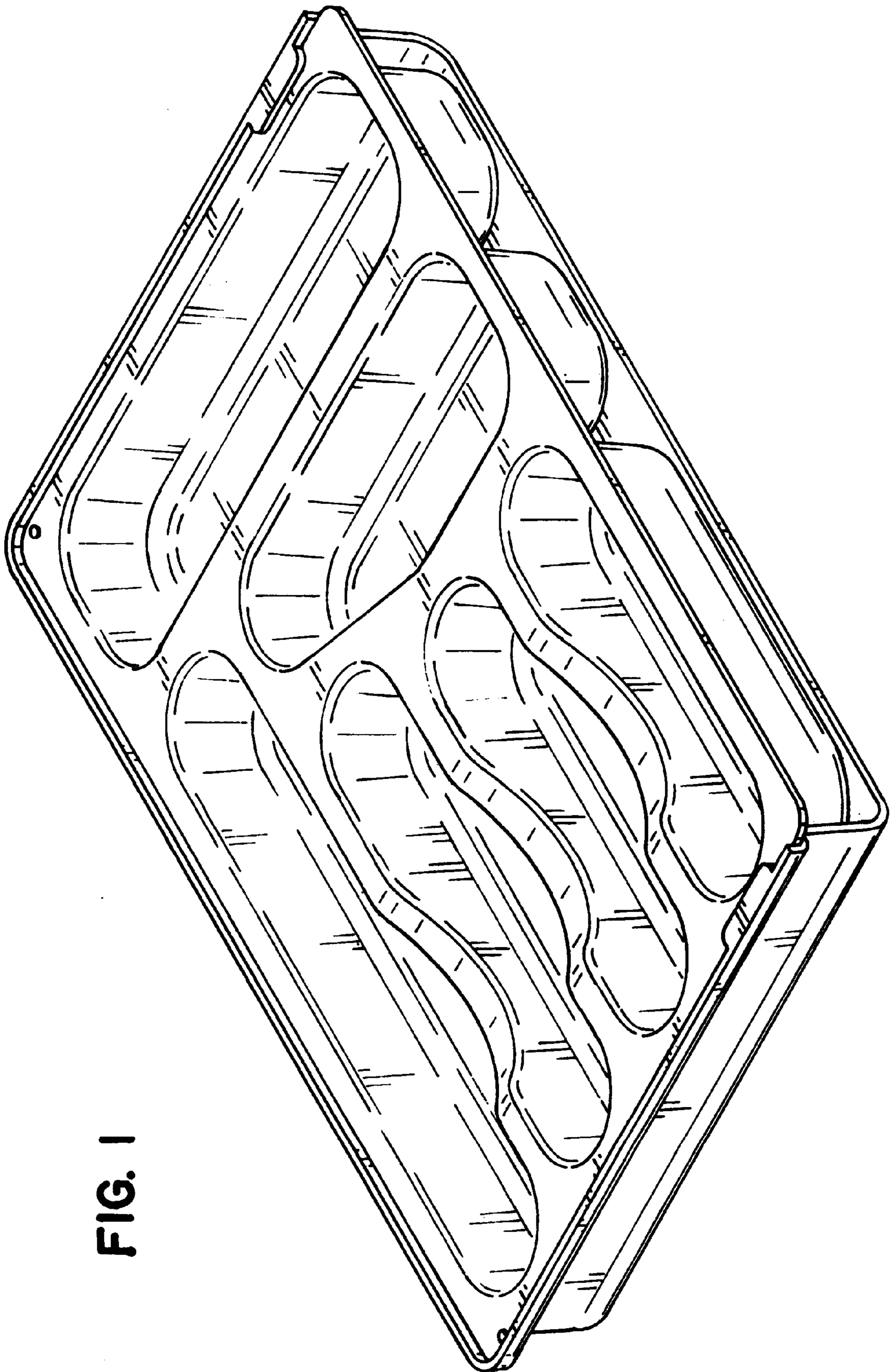


FIG. 1

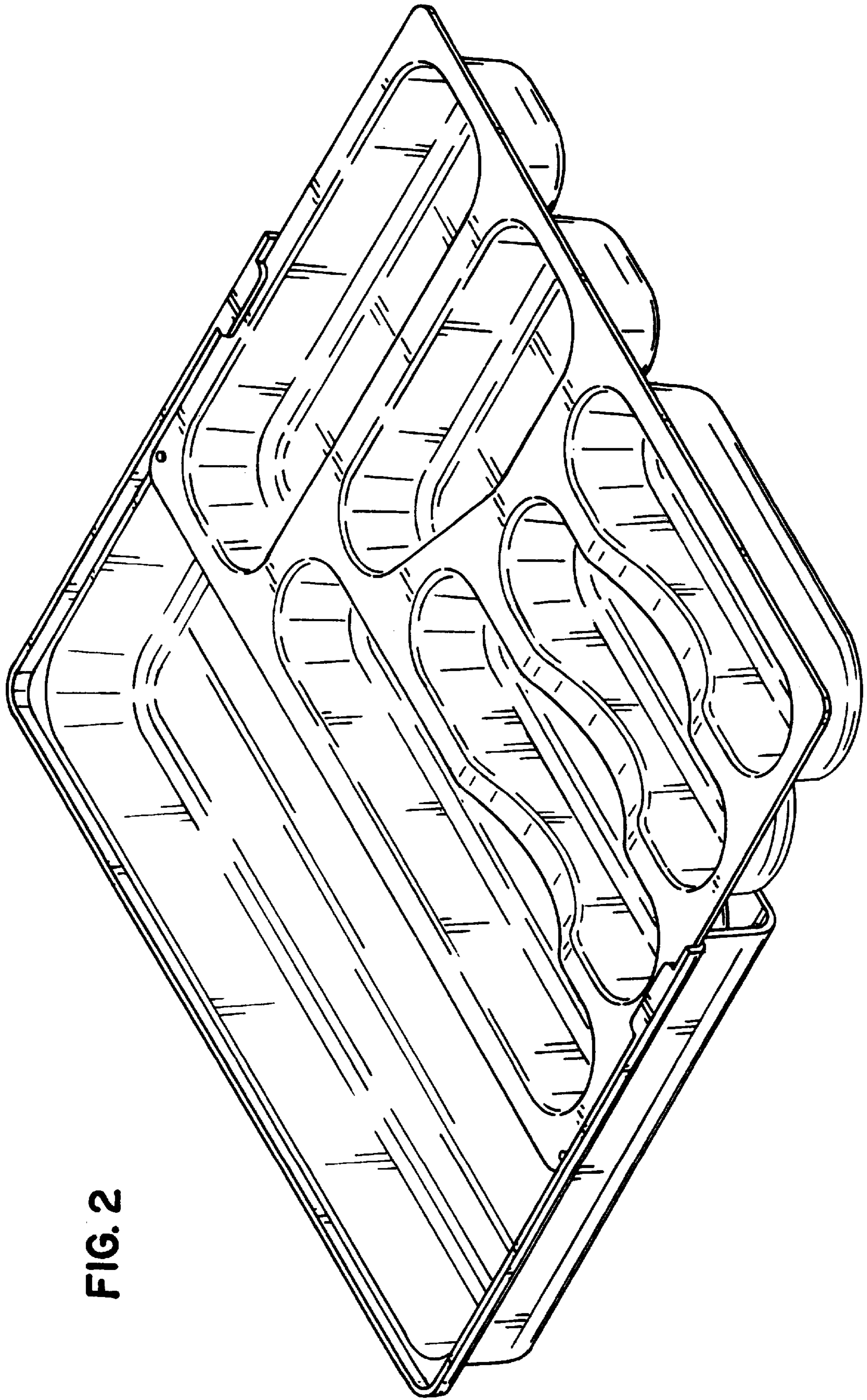


FIG. 2

FIG. 3

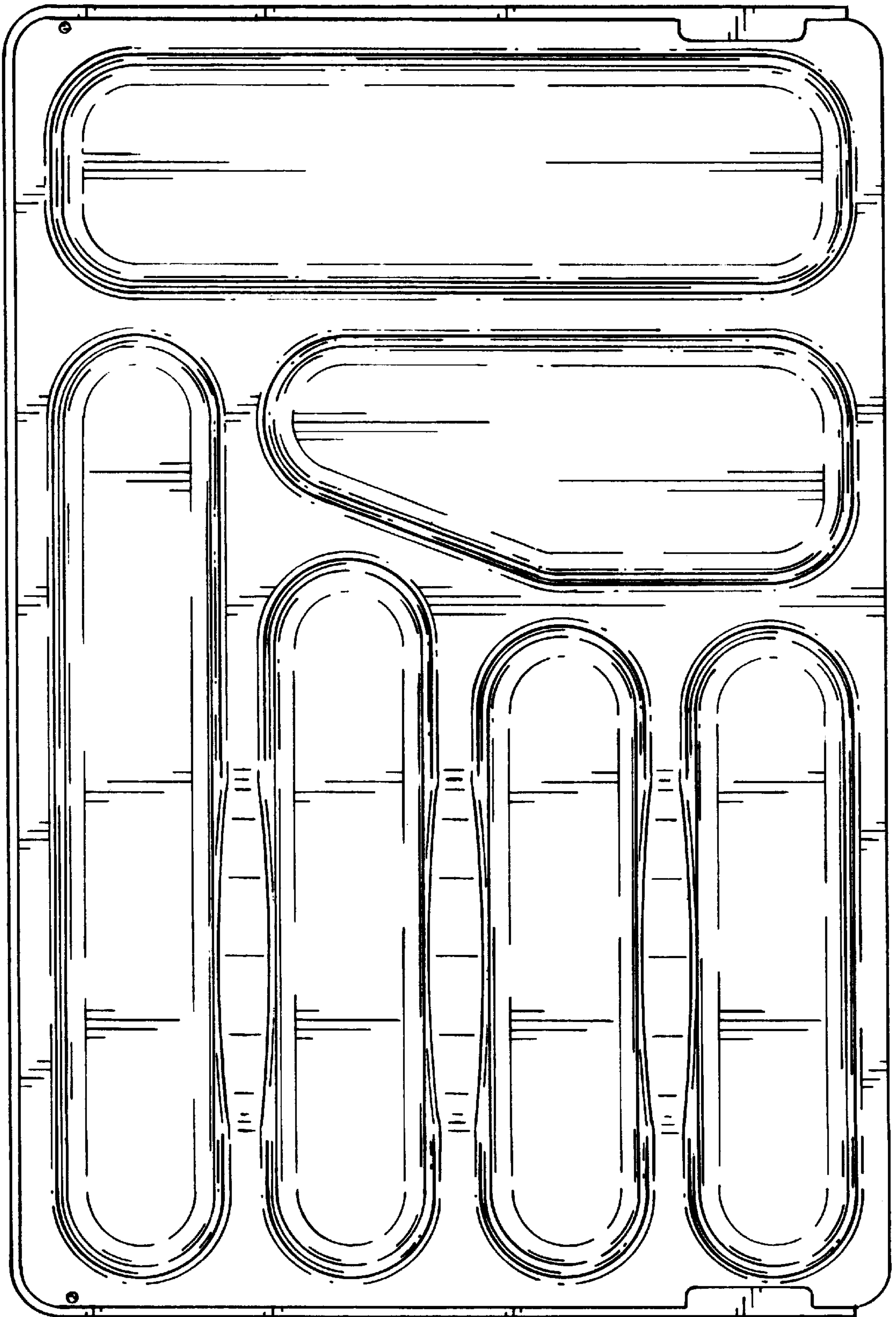


FIG. 4

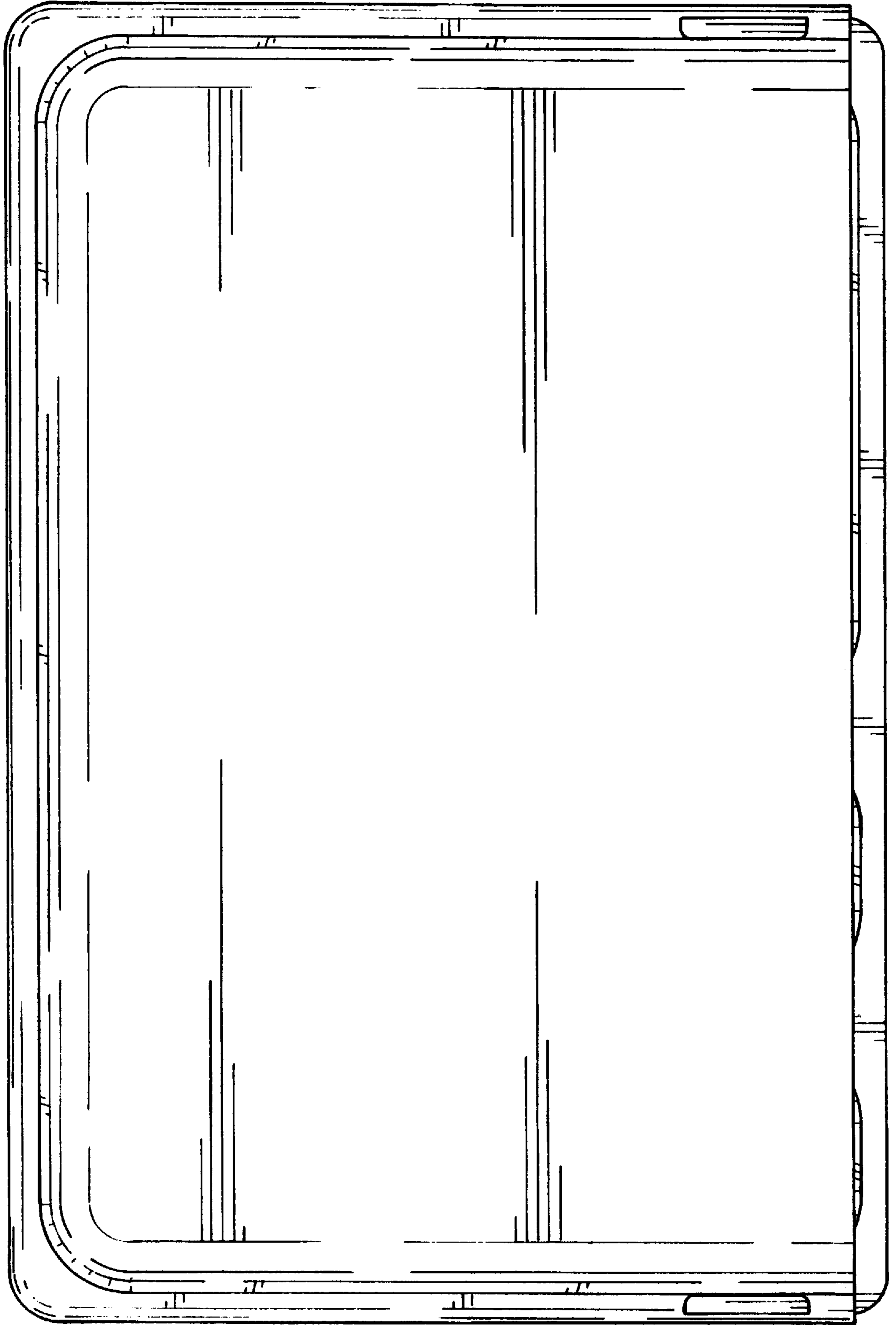


FIG. 5

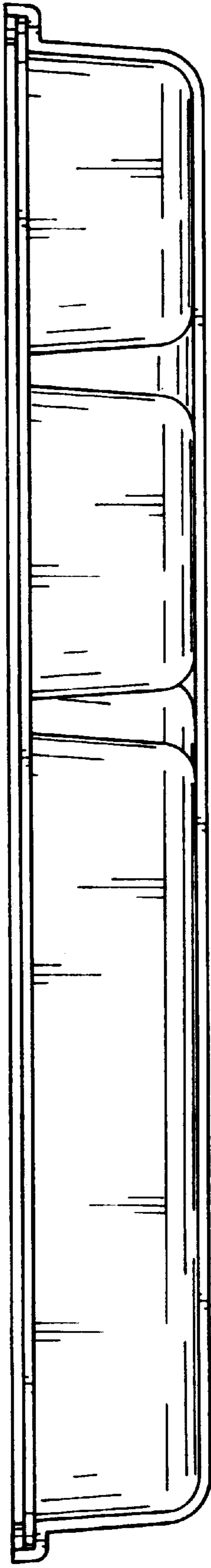


FIG. 6

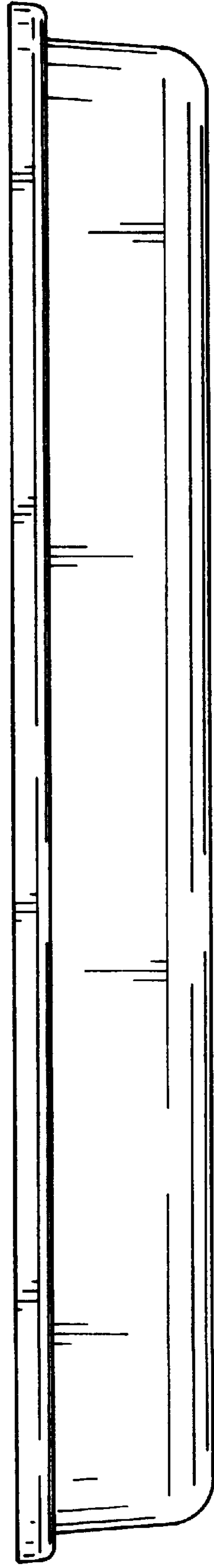


FIG. 7

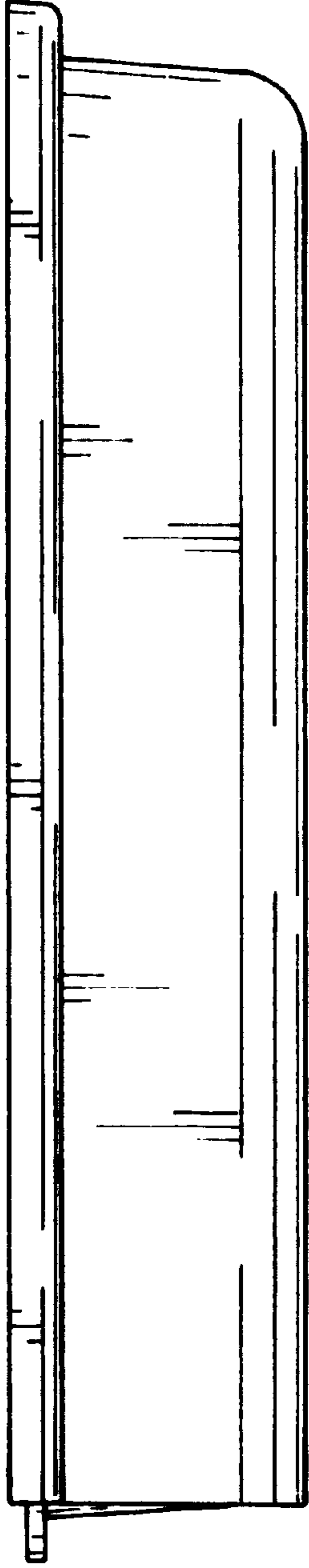
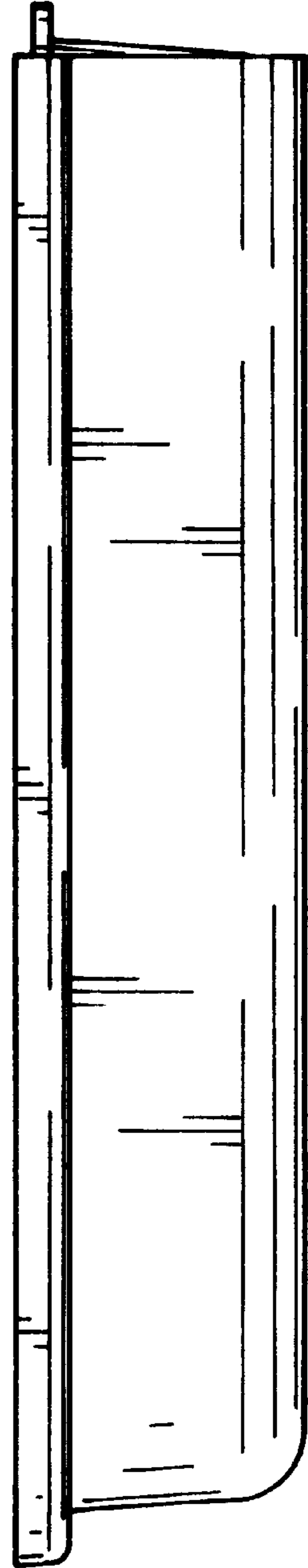


FIG. 8



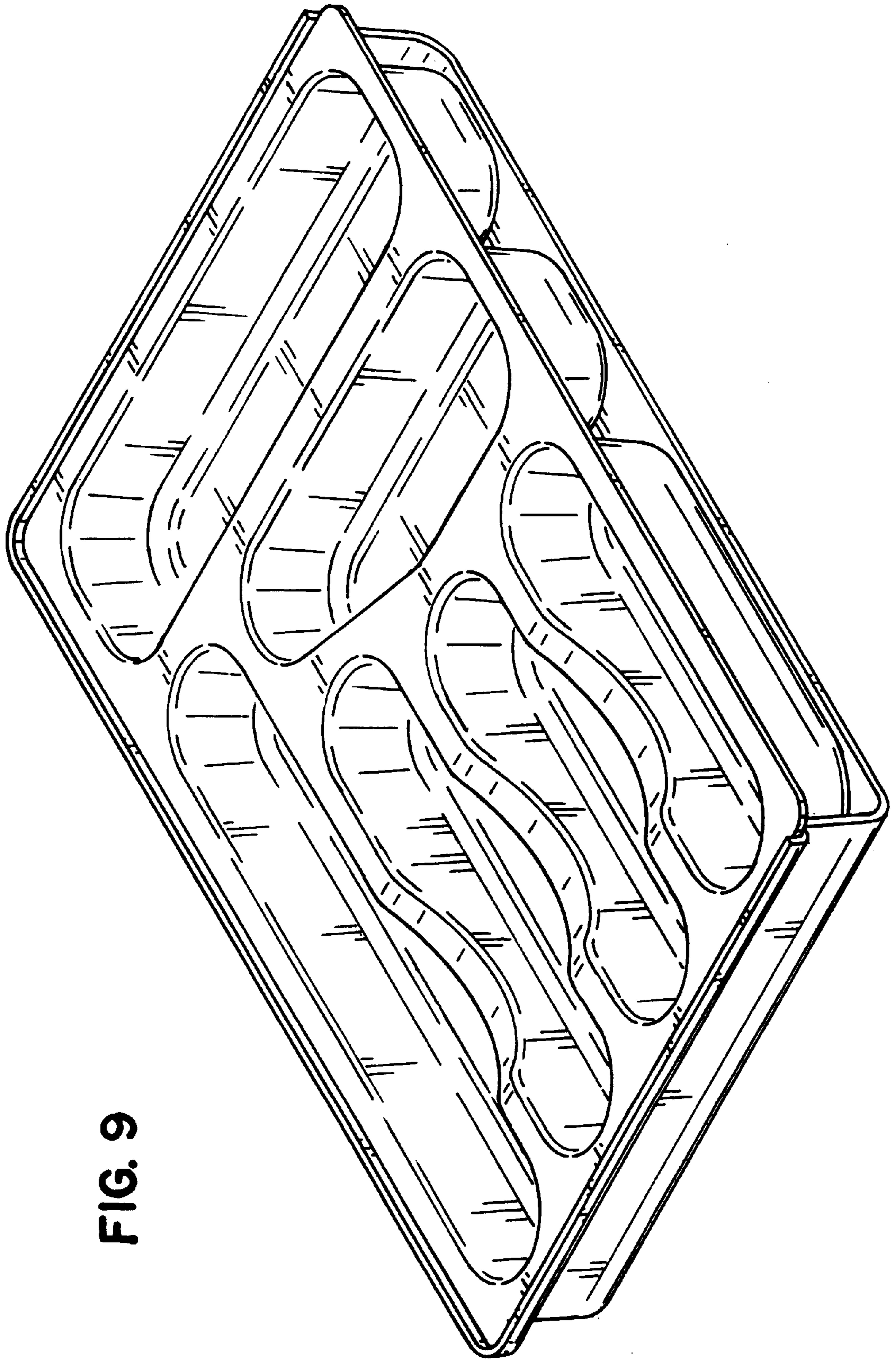


FIG. 9

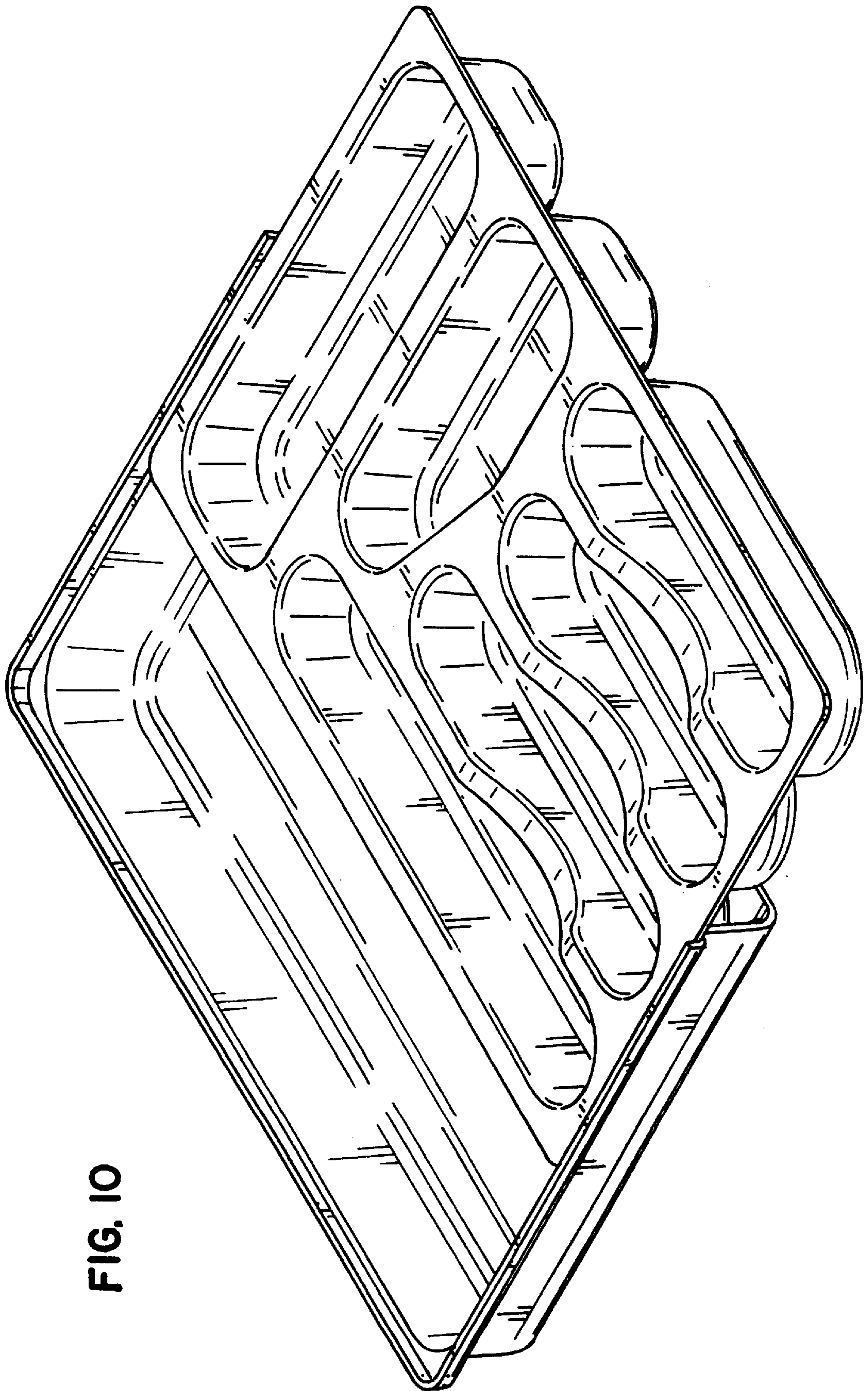


FIG. 10

FIG. 11

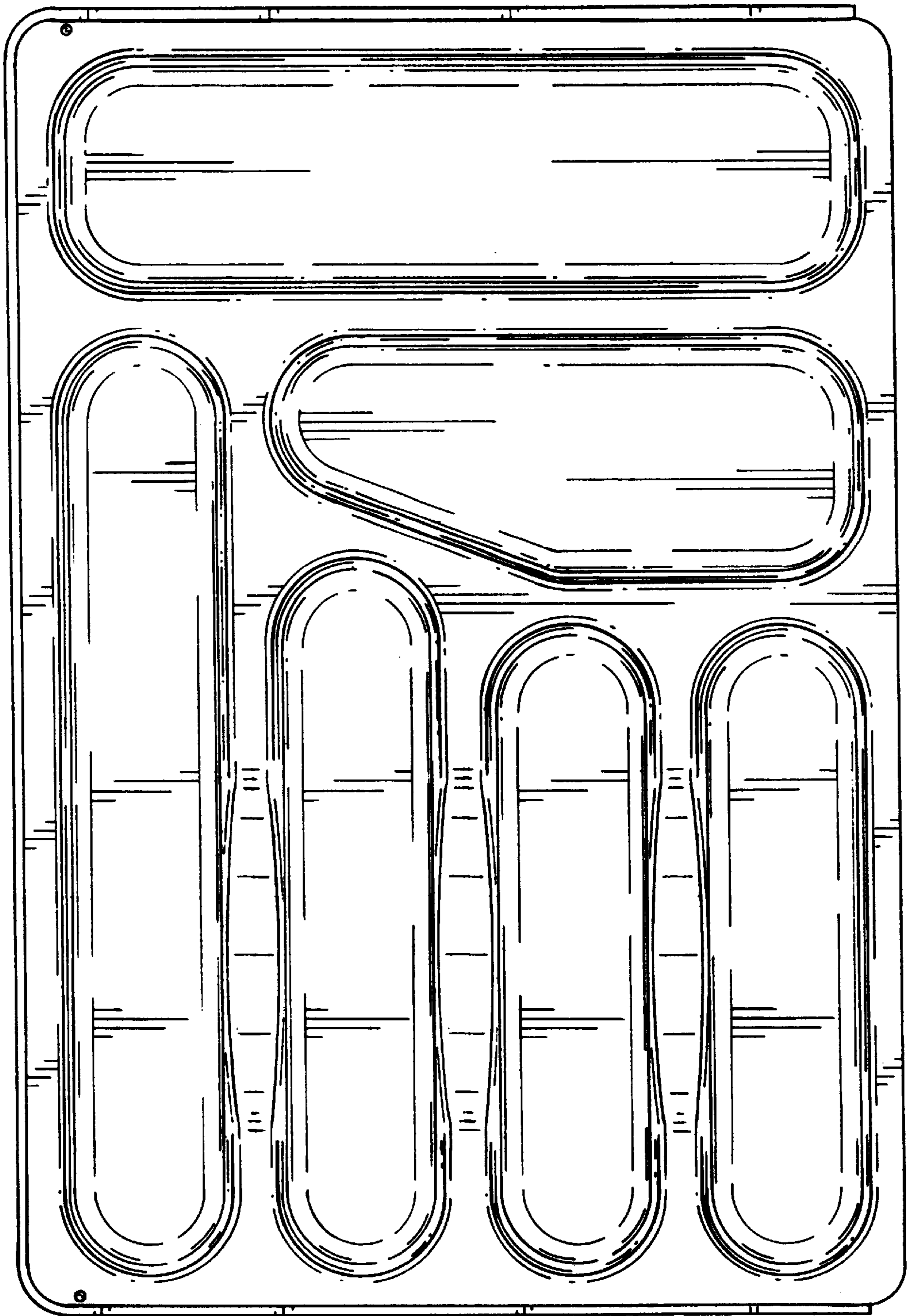


FIG. 12

