



US00D421553S

United States Patent [19]

Freese et al.

[11] Patent Number: Des. 421,553

[45] Date of Patent: ** Mar. 14, 2000

[54] LUNCH COOLER

[75] Inventors: **T. Brent Freese**, Gurnee, Ill.; **Douglas Carpiaux**, Milwaukee, Wis.; **Eric Fickas**, Germantown, Wis.; **Raymond Klein**, Milwaukee, Wis.; **Scott Micoley**, Cedarburg, Wis.

[73] Assignee: **Outer Circle Products, Ltd.**, Chicago, Ill.

[**] Term: **14 Years**

[21] Appl. No.: **29/097,601**

[22] Filed: **Dec. 10, 1998**

Related U.S. Application Data

[62] Division of application No. 29/084,603, Mar. 6, 1998, Pat. No. Des. 406,728.

[51] LOC (6) Cl. **07-06**

[52] U.S. Cl. **D7/605**

[58] Field of Search D7/605, 607, 709; D3/273, 276, 283, 289, 290, 301; 62/371, 457.1, 457.7; 206/223, 541, 545, 546, 549, DIG. 10; 220/592.2, 592.24, 592.25, 592.26, 592.27, 915.2, 915.1; 383/110, 113, 109

[56] References Cited

U.S. PATENT DOCUMENTS

D. 280,864 10/1985 Allen D3/283

Primary Examiner—Terry A. Wallace
Attorney, Agent, or Firm—McDonnell Boehnen Hulbert & Berghoff

[57] CLAIM

The ornamental design for a lunch cooler, as shown and described.

DESCRIPTION

FIG. 1 is a top, right side, perspective view of a lunch cooler of the present design, a zipper pull being shown in broken line and forming no part of the present design;

FIG. 2 is a front elevational view thereof;

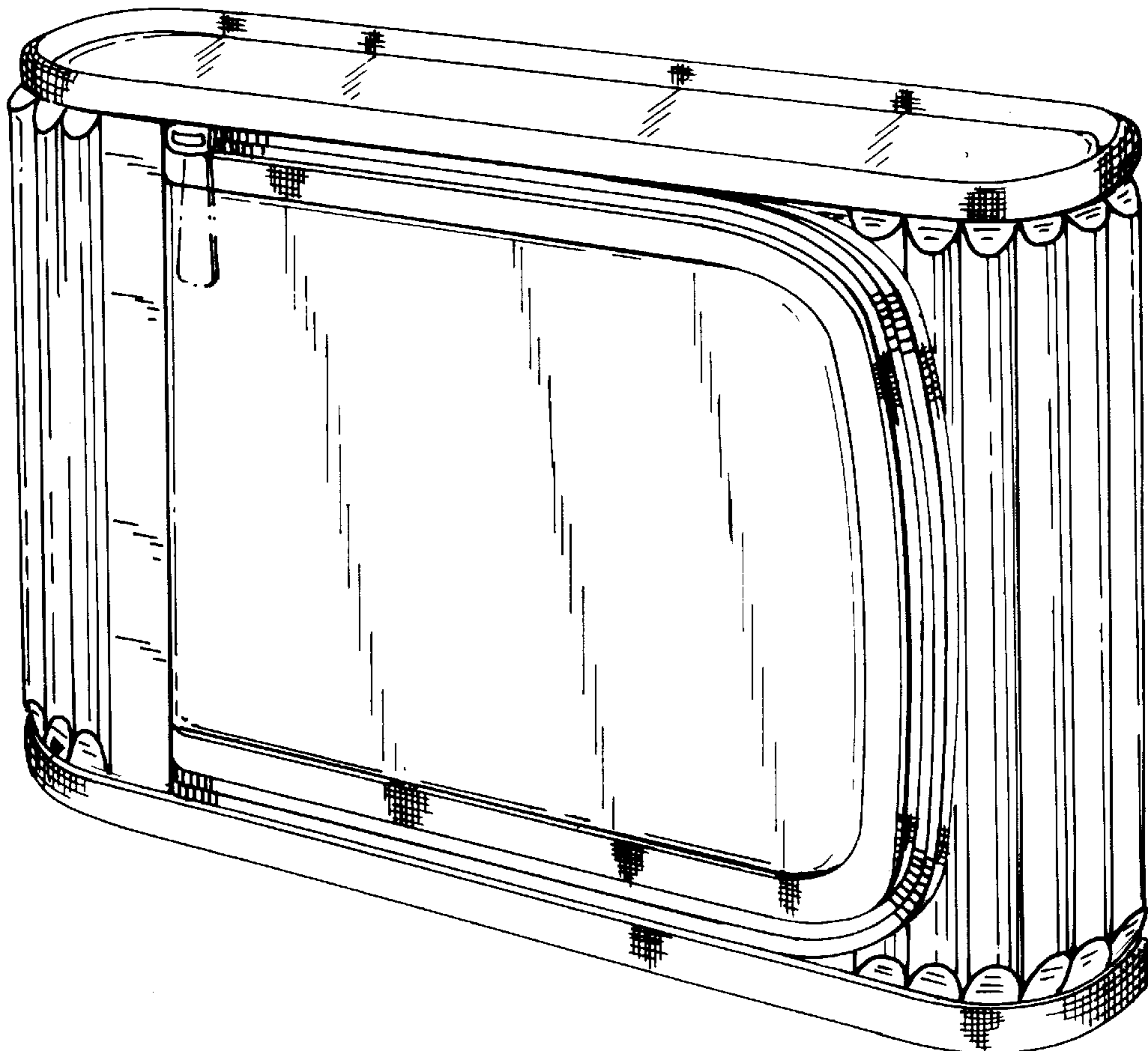
FIG. 3 is a rear elevational view thereof;

FIG. 4 is a left side elevational view thereof;

FIG. 5 is a right side elevational view thereof; and,

FIG. 6 is a bottom plan view thereof, a top plan view being a mirror image thereof.

1 Claim, 5 Drawing Sheets



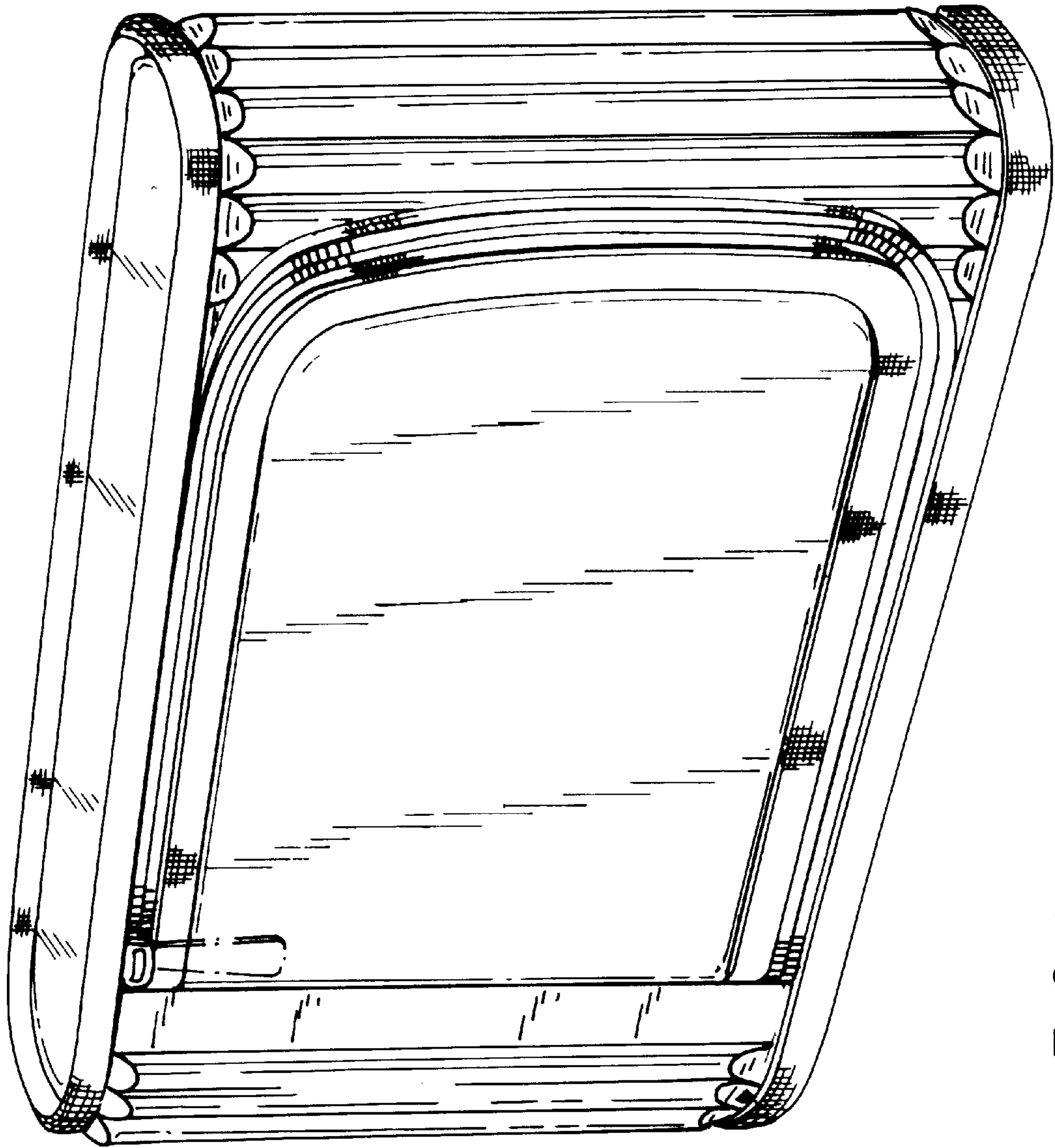


FIG. 1

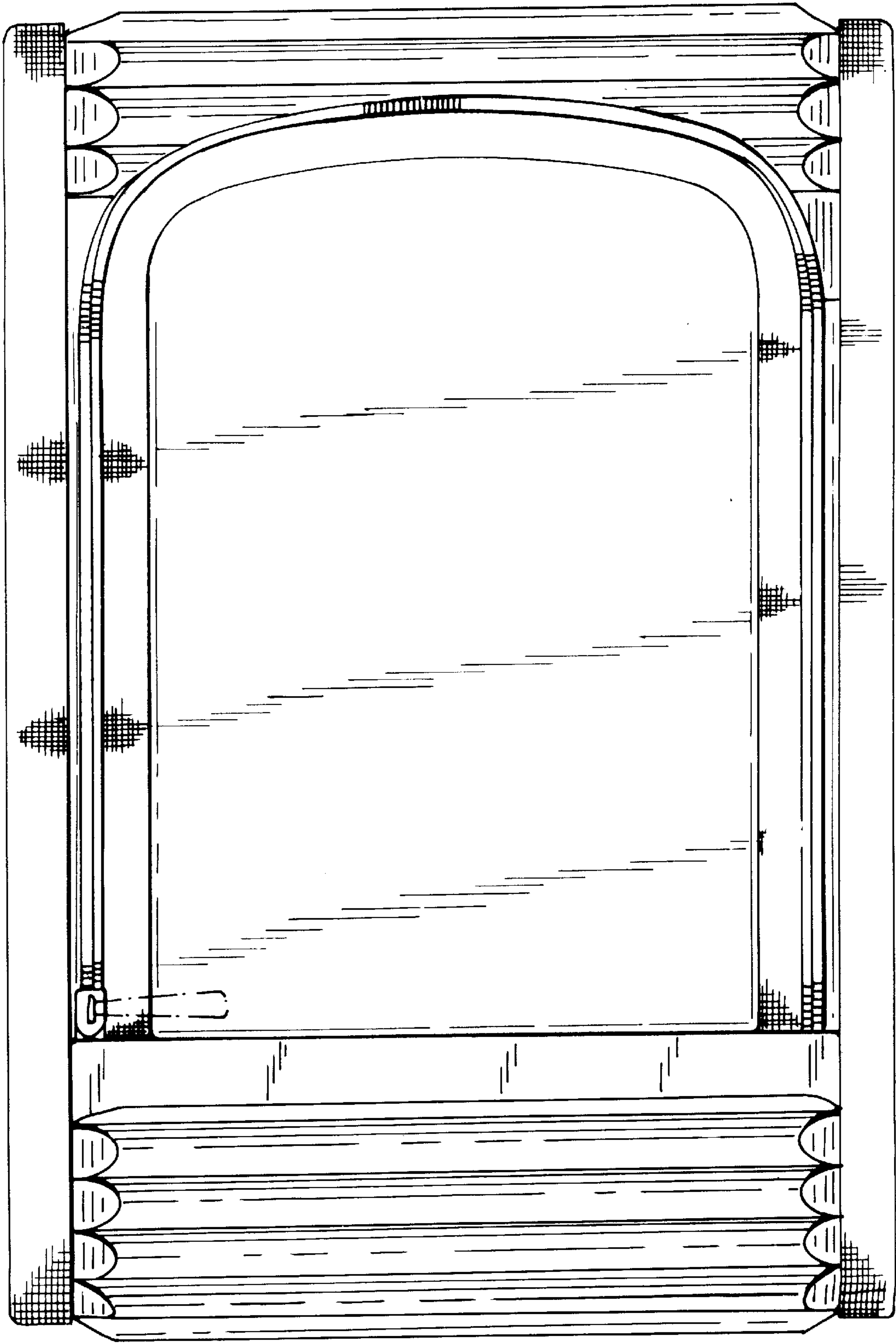


FIG. 2

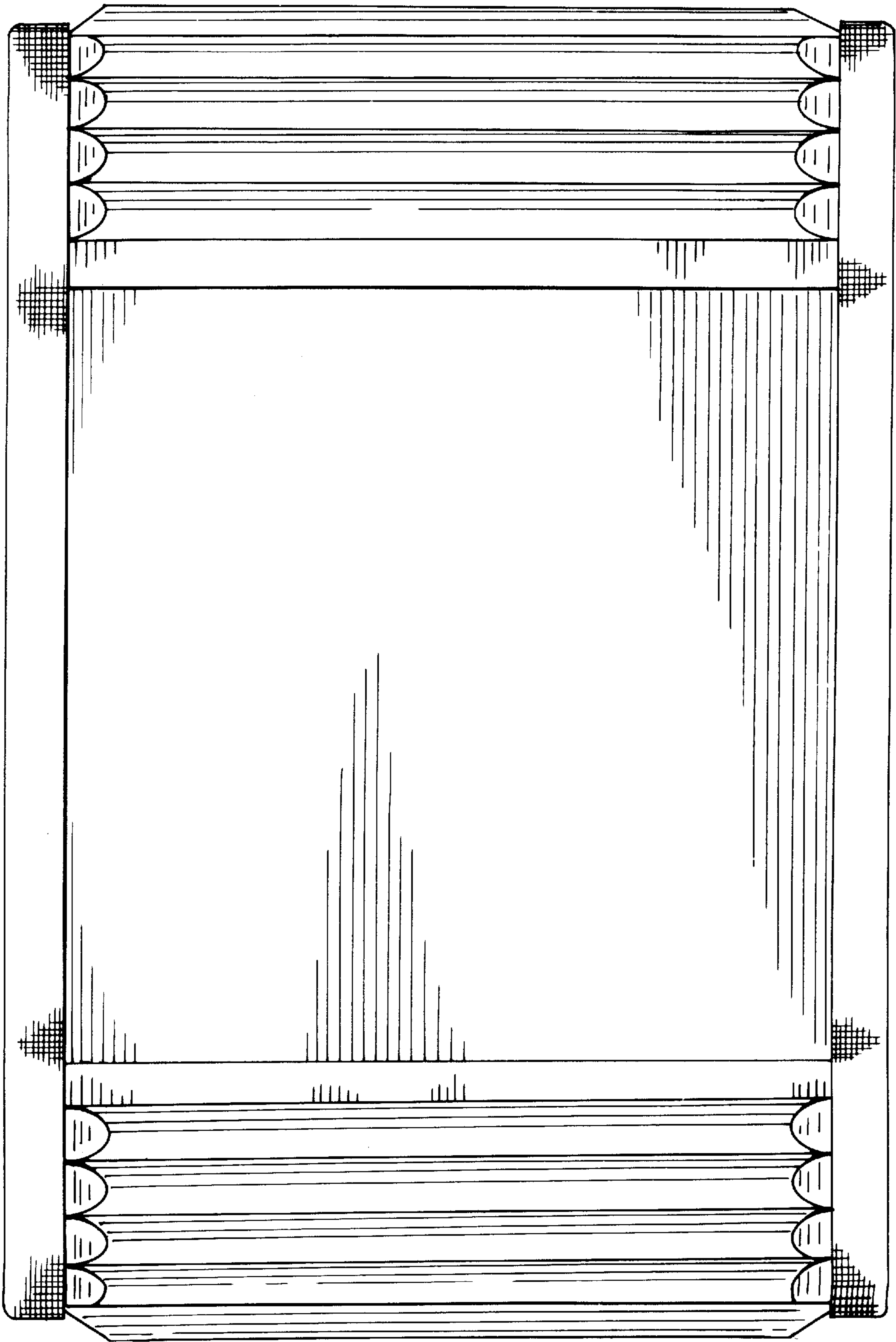


FIG. 3

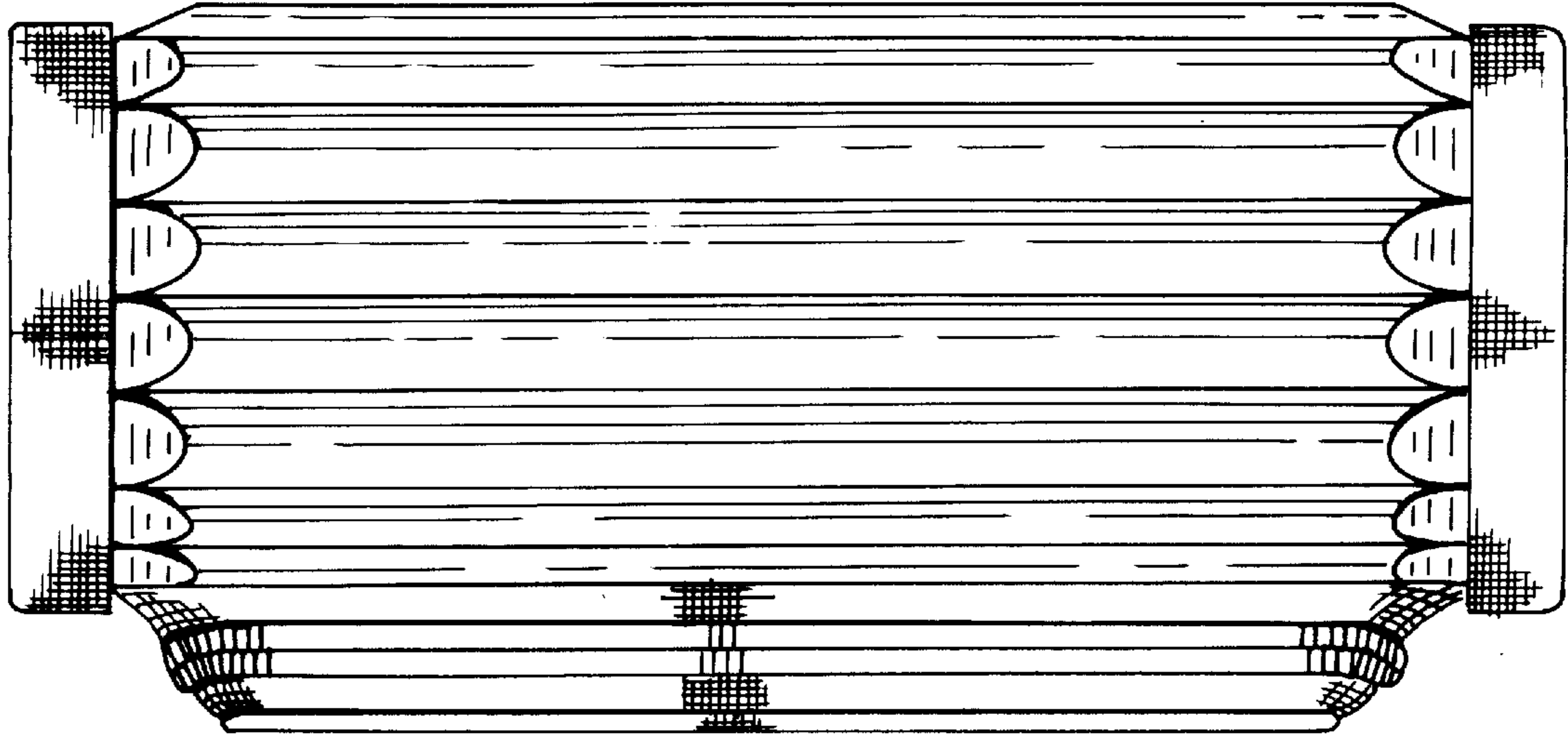


FIG. 5

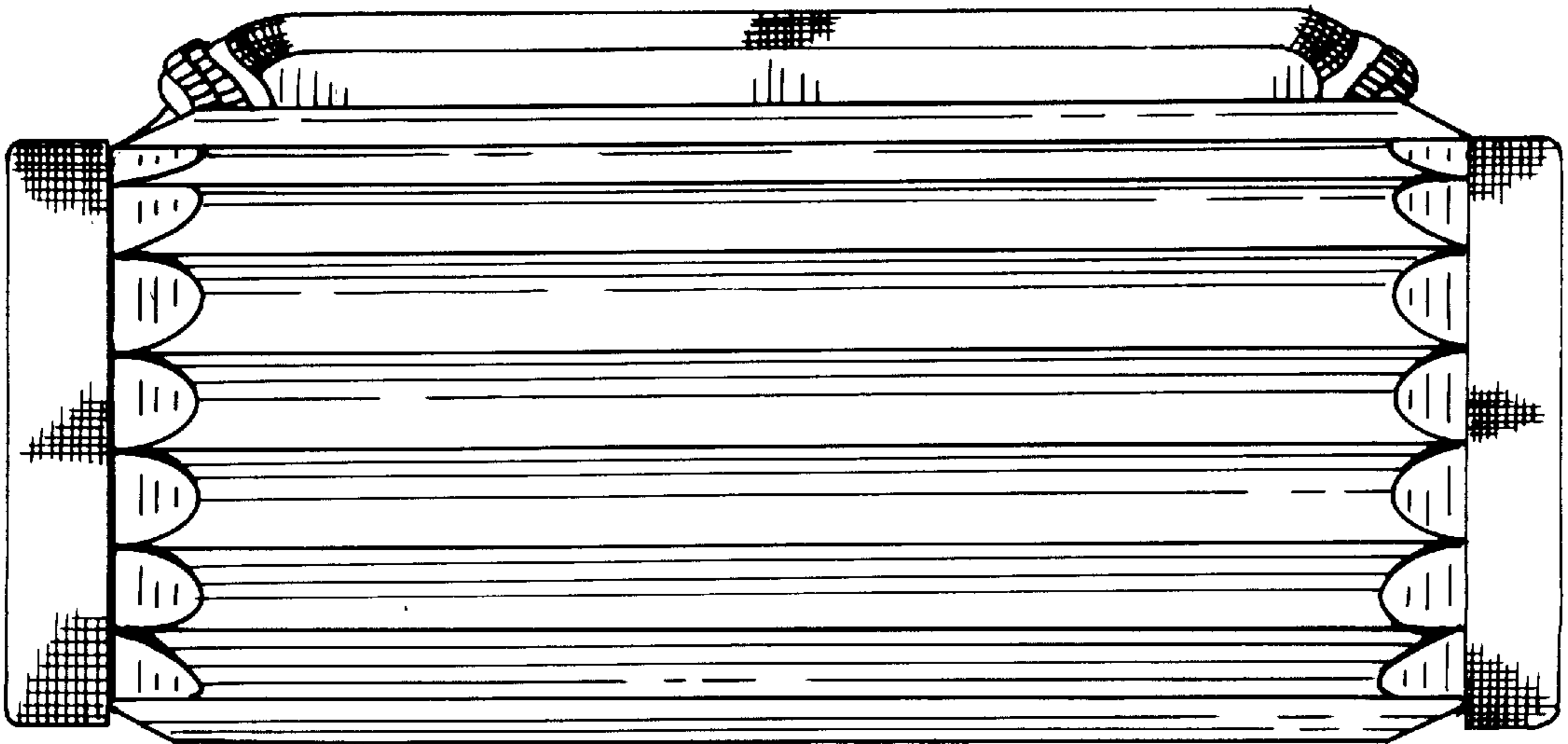


FIG. 4

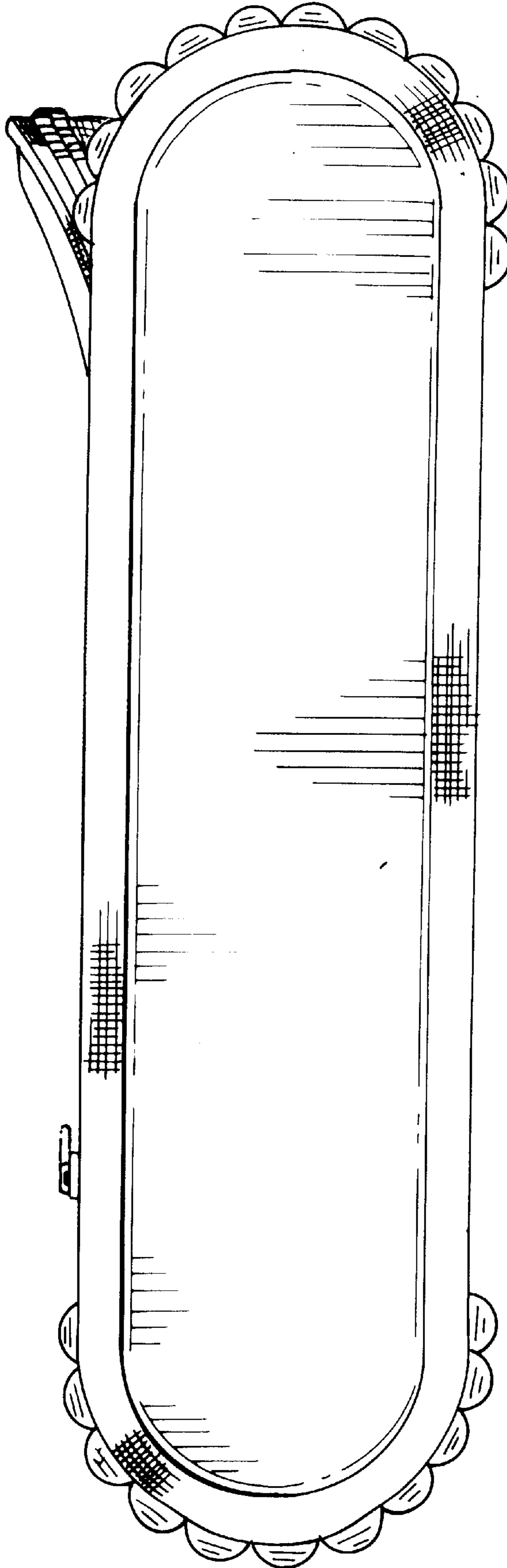


FIG. 6