



US00D421552S

United States Patent [19]

Frehse

[11] **Patent Number: Des. 421,552**

[45] **Date of Patent: ** Mar. 14, 2000**

[54] **MOBILE COOLER**

[75] Inventor: **Ulrich Frehse**, Beverungen, Germany

[73] Assignee: **3F GmbH & Co. KG Freizeitartikel**, Beverungen, Germany

[**] Term: **14 Years**

[21] Appl. No.: **29/083,120**

[22] Filed: **Feb. 4, 1998**

[30] Foreign Application Priority Data

Aug. 9, 1997 [DE] Germany M 97 07 542

[51] **LOC (6) Cl.** **07-06**

[52] **U.S. Cl.** **D7/605**

[58] **Field of Search** D7/605-607; D34/12, D34/19, 24, 25; D3/273, 274; 62/457.1, 457.7, 371; 220/410, 412; 280/43.1, 43.24, 47.26, 47.34, 651, 652, 645, 655.1

[56] References Cited

U.S. PATENT DOCUMENTS

D. 322,198 12/1991 Dringenburg D7/605

D. 322,915	1/1992	Franklin	D7/606
D. 328,689	8/1992	Riskowski	D7/605
D. 366,599	1/1996	Brown et al.	D7/605
D. 397,585	9/1998	Rausch et al.	D7/605
5,407,218	4/1995	Jackson	62/457.7

Primary Examiner—Terry A. Wallace
Attorney, Agent, or Firm—Herbert Dubno

[57] CLAIM

The ornamental design for a mobile cooler, as shown and described.

DESCRIPTION

FIG. 1 is a top, right-side, rear perspective view of a mobile cooler showing my new design; FIG. 2 is right side elevational view thereof, the left side being mirror symmetrical thereto; FIG. 3 is a top plan view thereof; FIG. 4 is a rear view thereof; FIG. 5 is a front view thereof; FIG. 6 is a bottom view thereof; and, FIG. 7 is a right side elevational view thereof with the handle in an extended position.

1 Claim, 4 Drawing Sheets

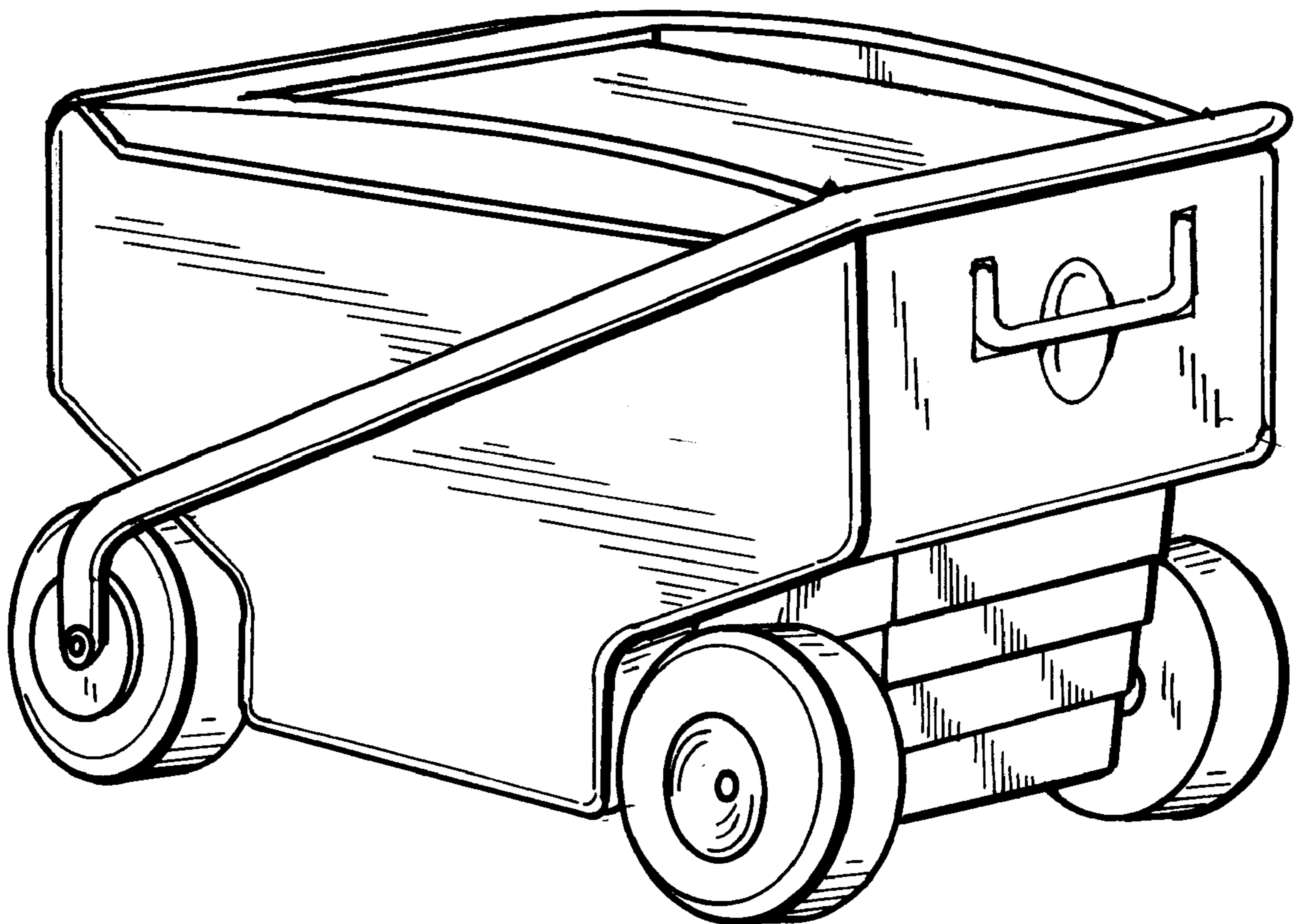


FIG. 1

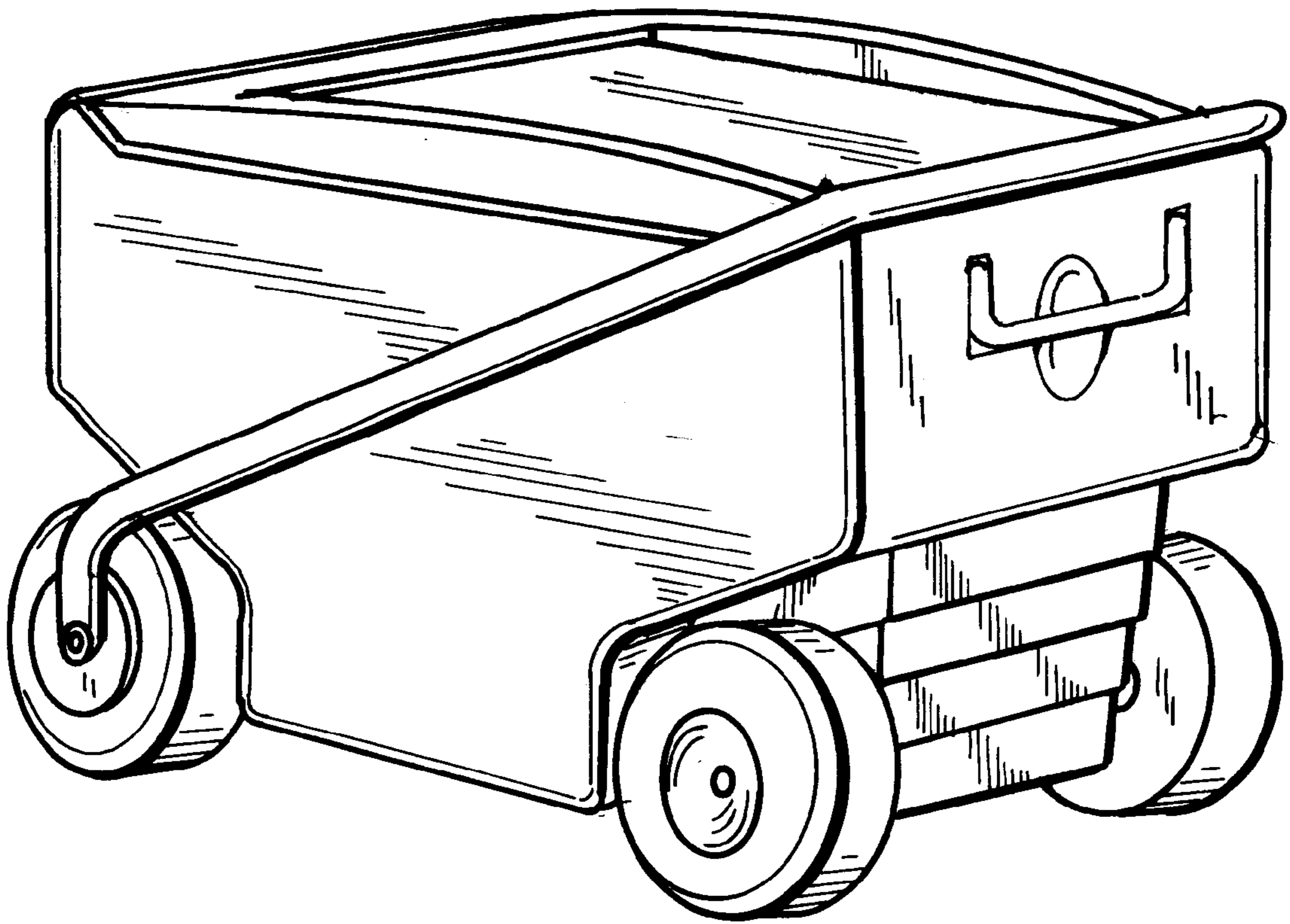


FIG. 3

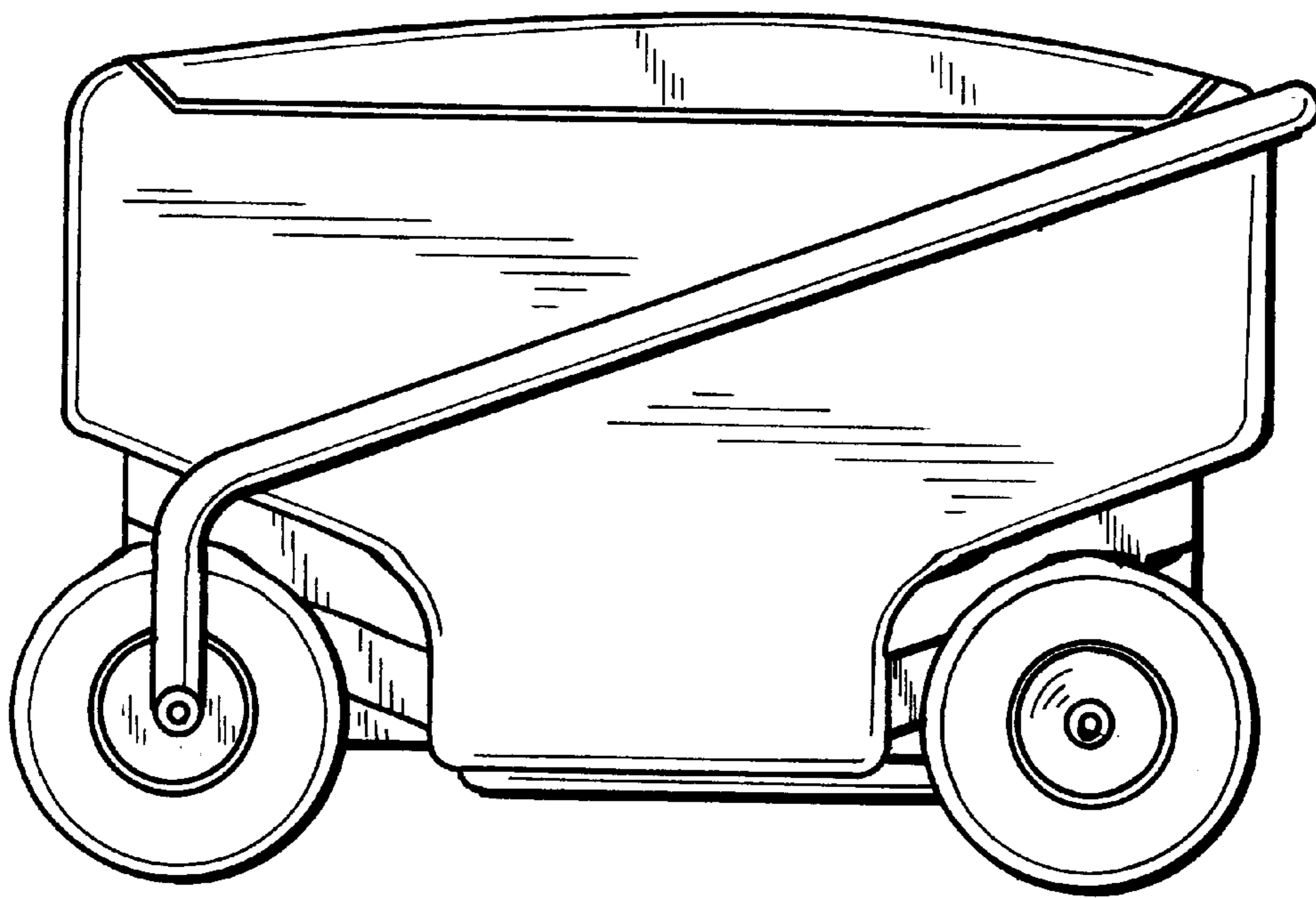
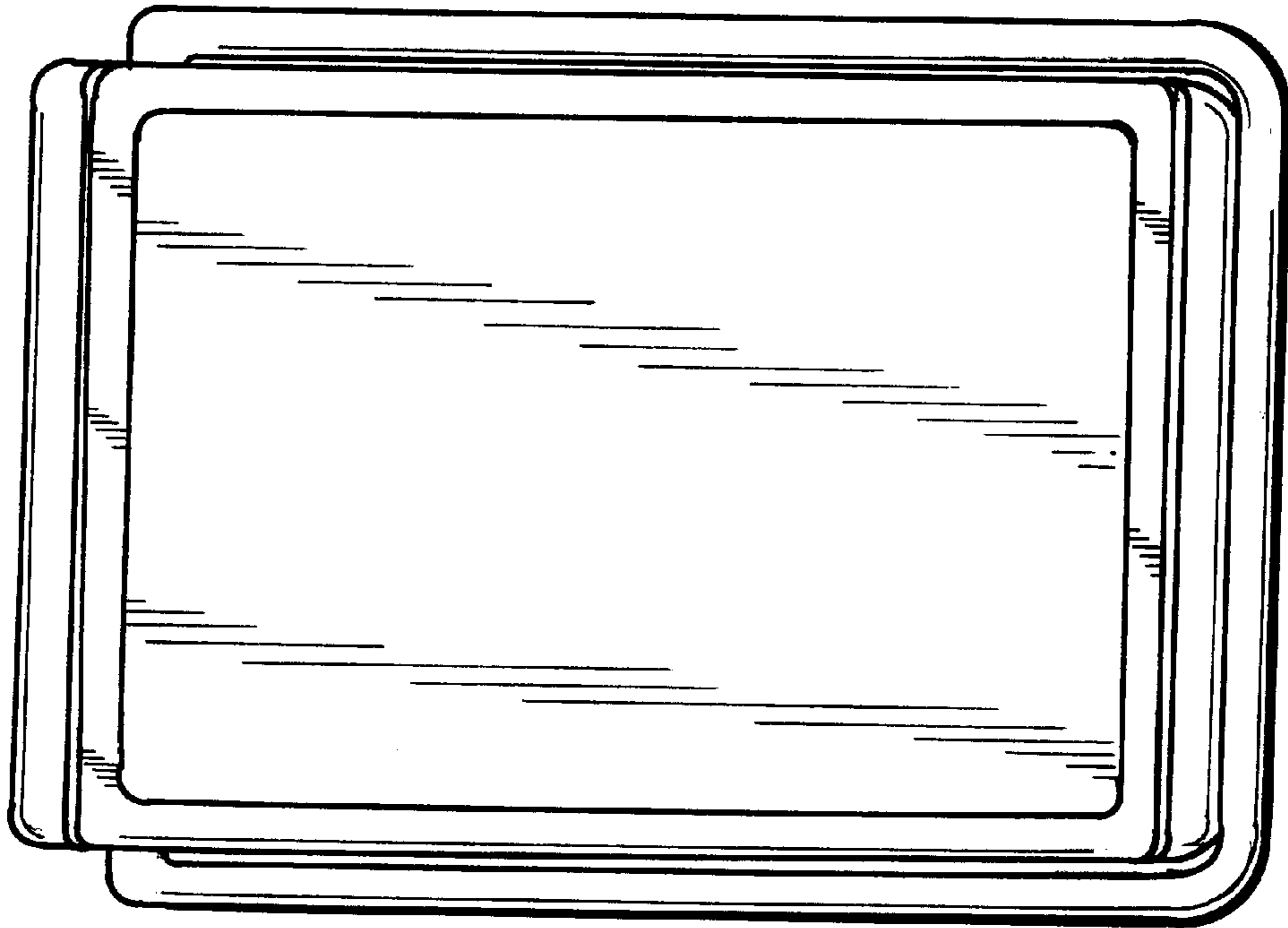


FIG. 2

FIG. 5

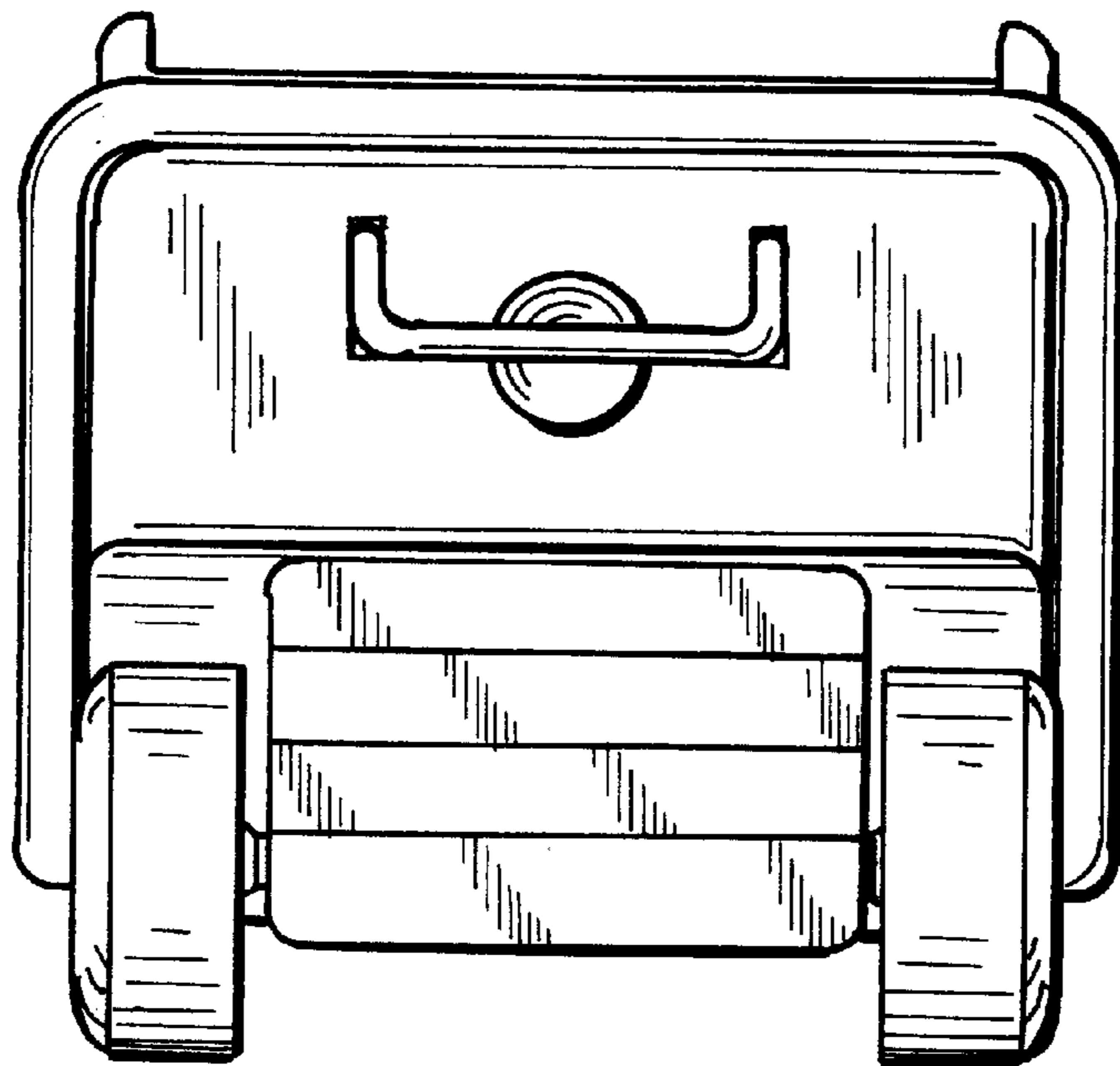
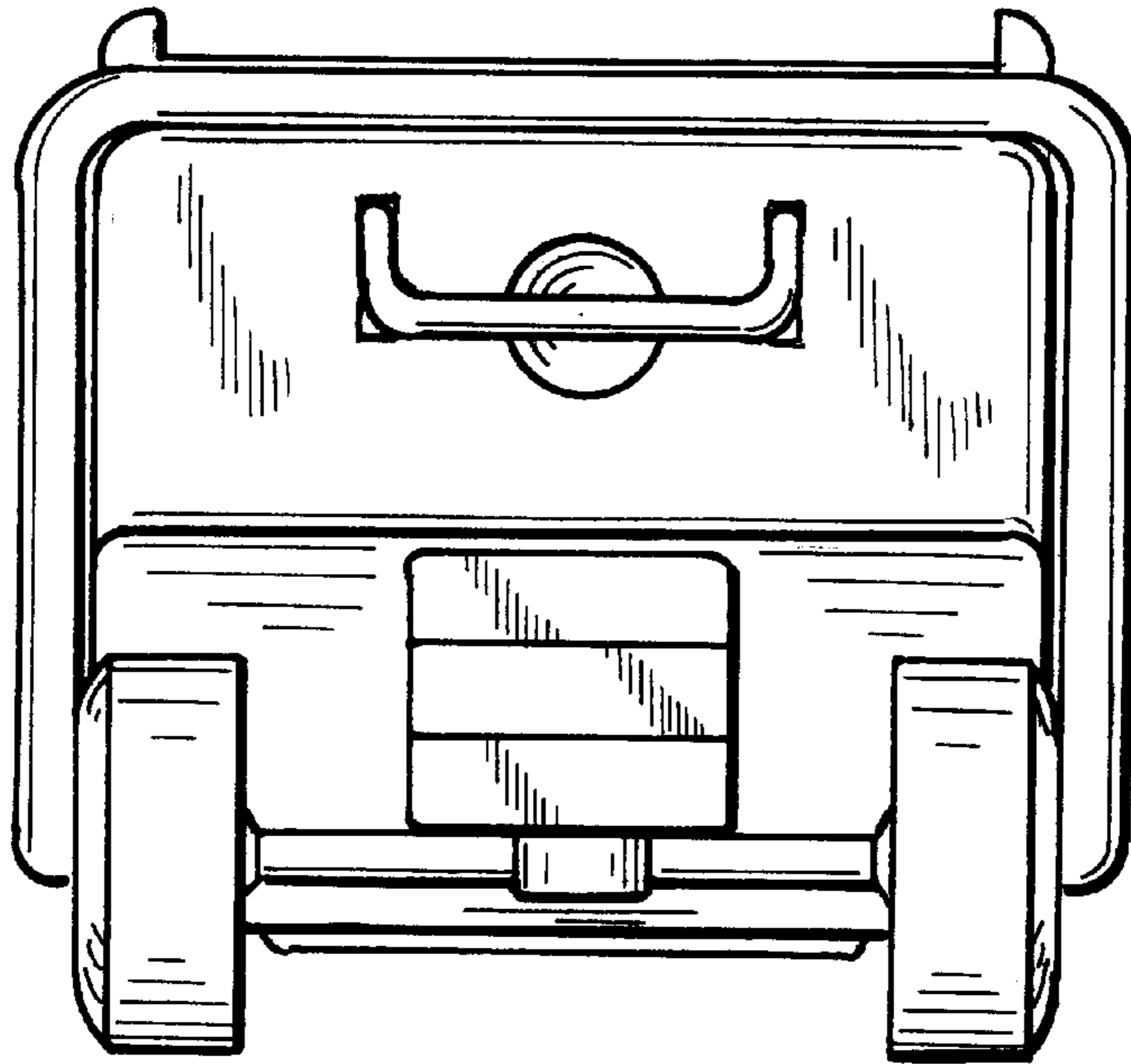


FIG. 4

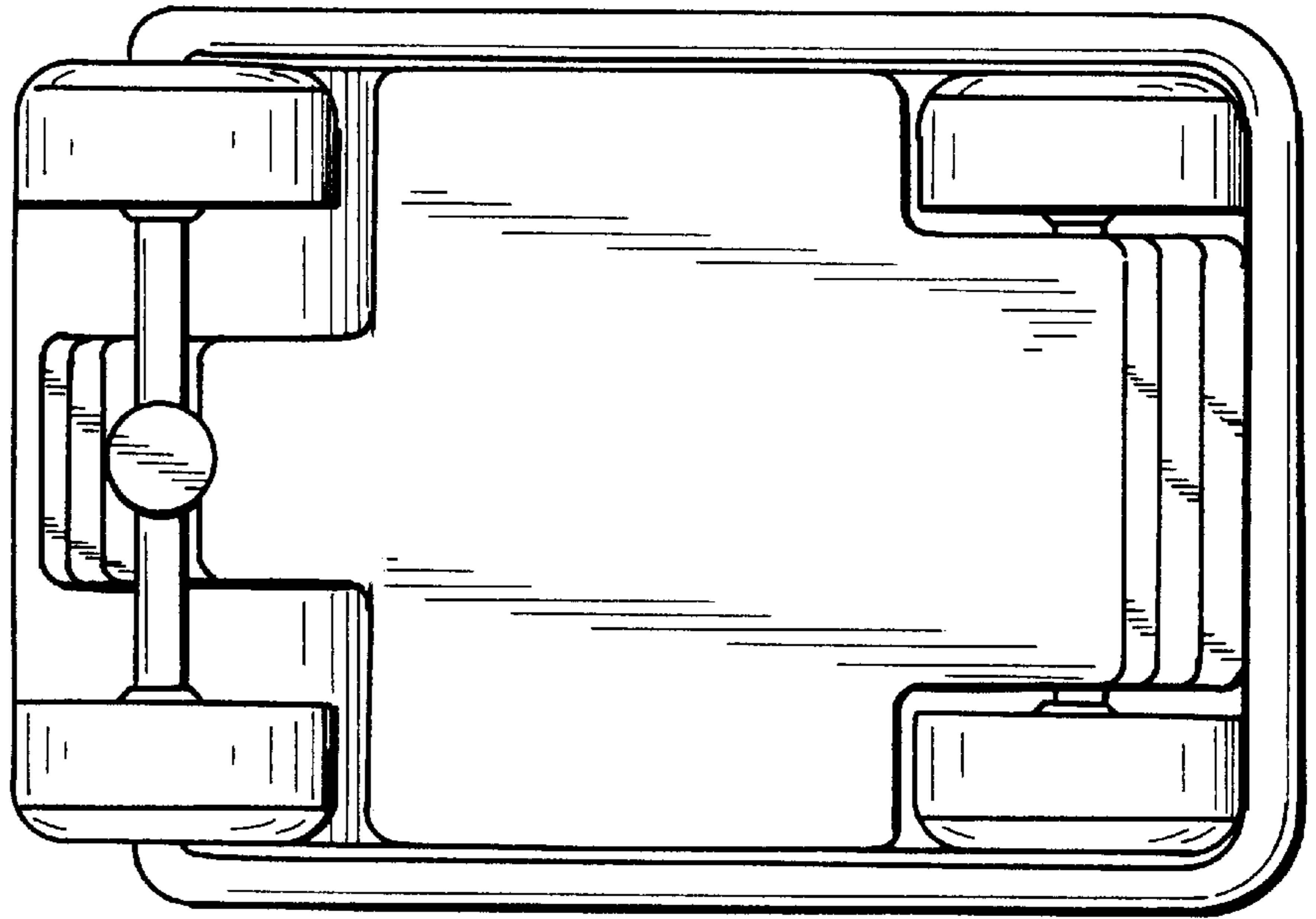


FIG. 6

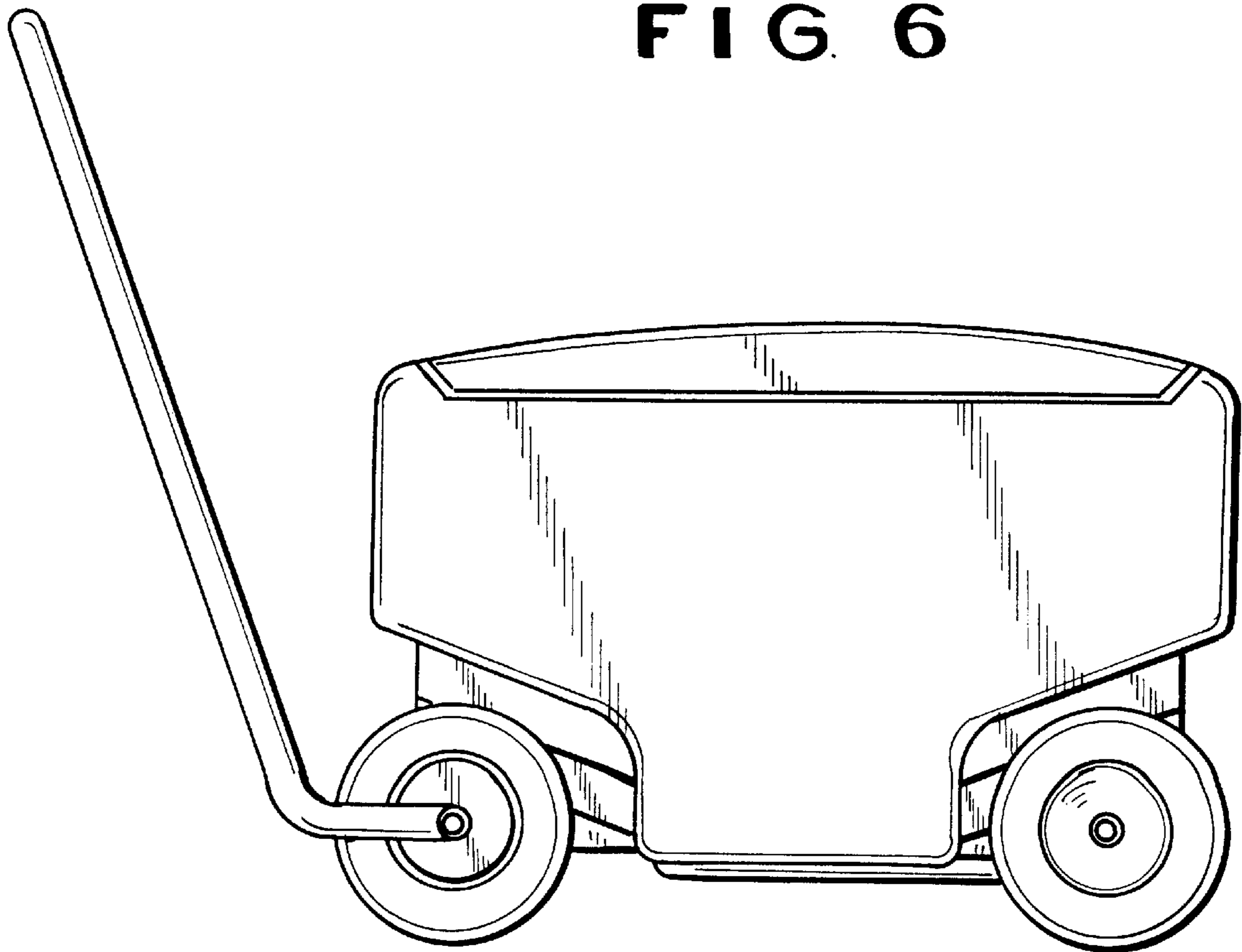


FIG. 7