



US00D421551S

United States Patent [19]
Pulitano

[11] **Patent Number: Des. 421,551**

[45] **Date of Patent: ** Mar. 14, 2000**

[54] **TABLE TOP ORGANIZER FOR CONDIMENT CONTAINERS, MENUS AND NAPKINS**

D. 156,670 12/1949 Runnels D7/592
D. 324,155 2/1992 Hyman D7/632
3,318,454 5/1967 Donlin 211/43

[76] Inventor: **Frank Pulitano**, 163 Summer St.,
Stratford, Conn. 06497

Primary Examiner—Terry A. Wallace
Attorney, Agent, or Firm—Haverstock, Garrett & Roberts

[**] Term: **14 Years**

[57] **CLAIM**

[21] Appl. No.: **29/072,522**

The ornamental design for a table top organizer for condiment containers, menus and napkins, as shown and described.

[22] Filed: **Jun. 19, 1997**

[51] **LOC (6) Cl.** **07-06**

DESCRIPTION

[52] **U.S. Cl.** **D7/590; D7/601; D7/632;**
D19/90

FIG. 1 is a perspective view of a table top organizer for condiment containers, menus and napkins showing my new design;

[58] **Field of Search** D7/590, 601, 631,
D7/632; D19/34.1, 34.2, 65, 75, 86, 90-92;
211/13.1, 43, 45, 49.1, 51, 71, 85.4, 126.1,
126.12

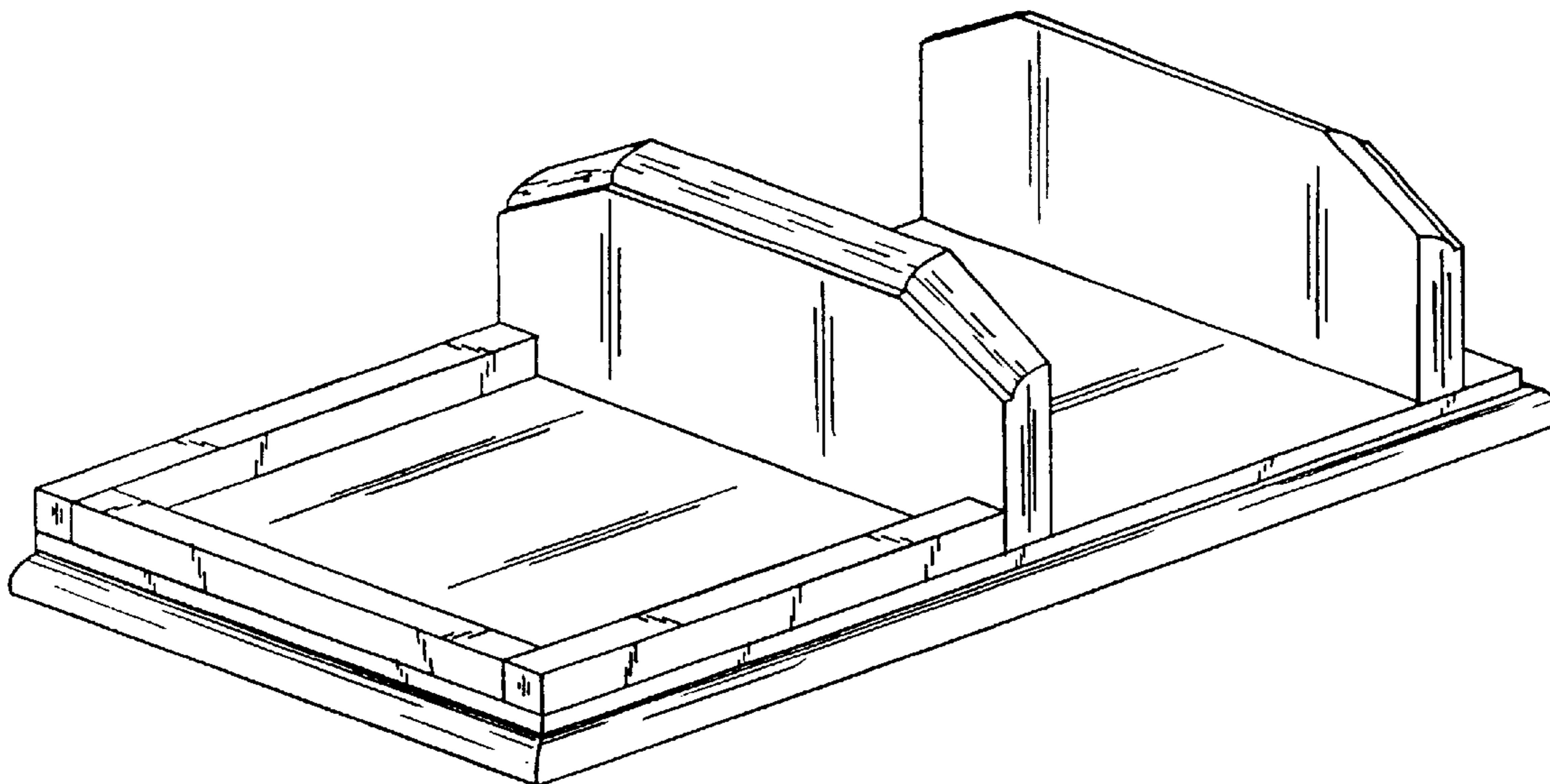
FIG. 2 is a front elevational view thereof;
FIG. 3 is a right side elevational view thereof;
FIG. 4 is a left side elevational view thereof;
FIG. 5 is a rear elevational view thereof;
FIG. 6 is a top plan view thereof; and,
FIG. 7 is a bottom plan view thereof.

[56] **References Cited**

U.S. PATENT DOCUMENTS

D. 55,266 5/1920 Fuller D19/78 X

1 Claim, 2 Drawing Sheets



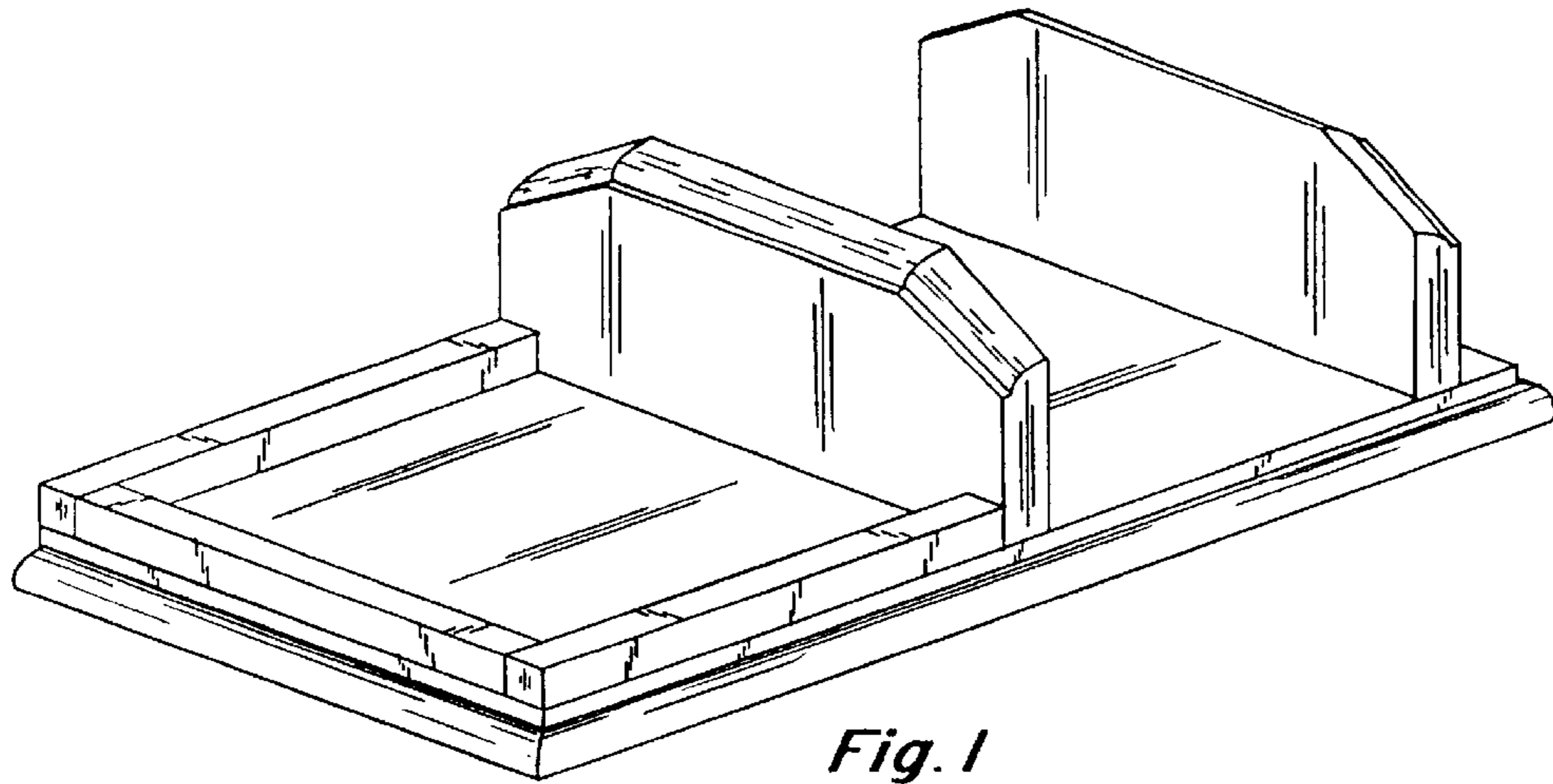


Fig. 1

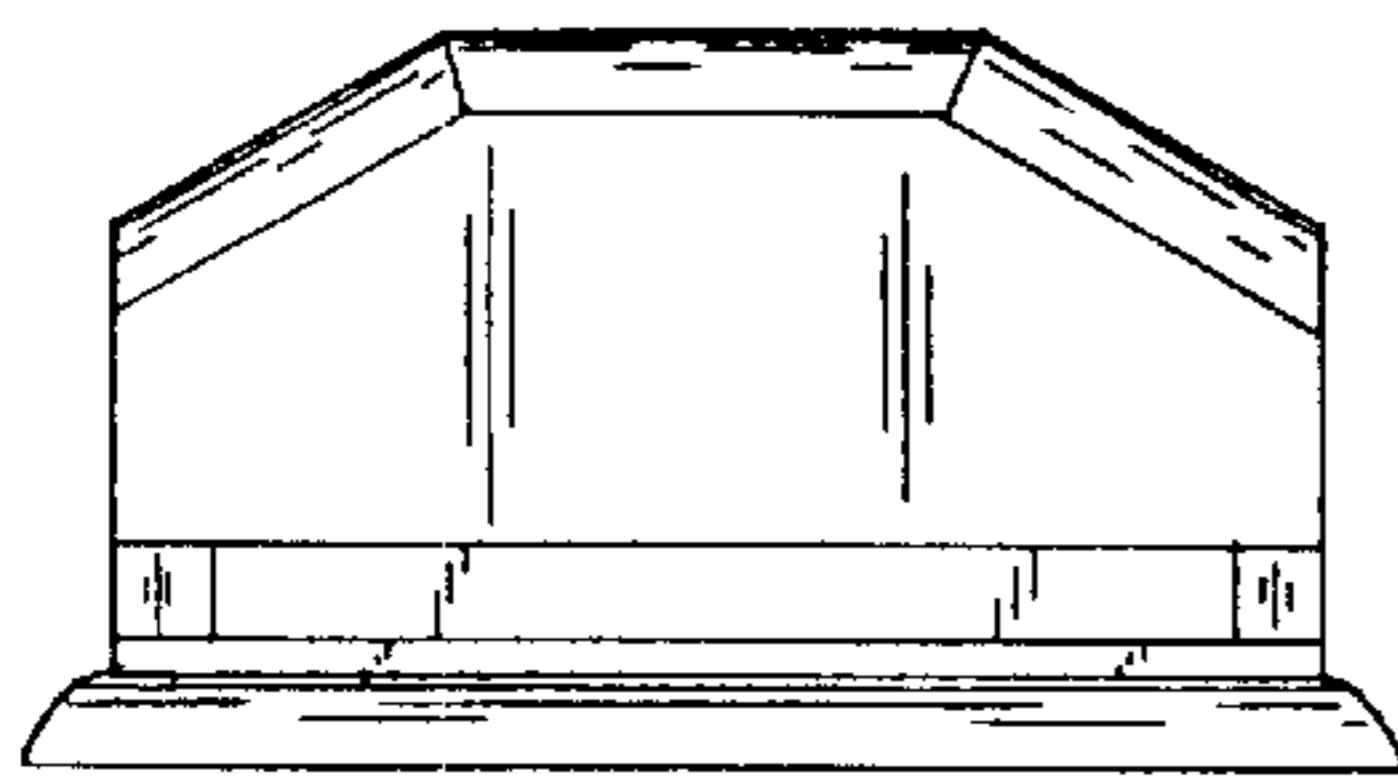


Fig. 2

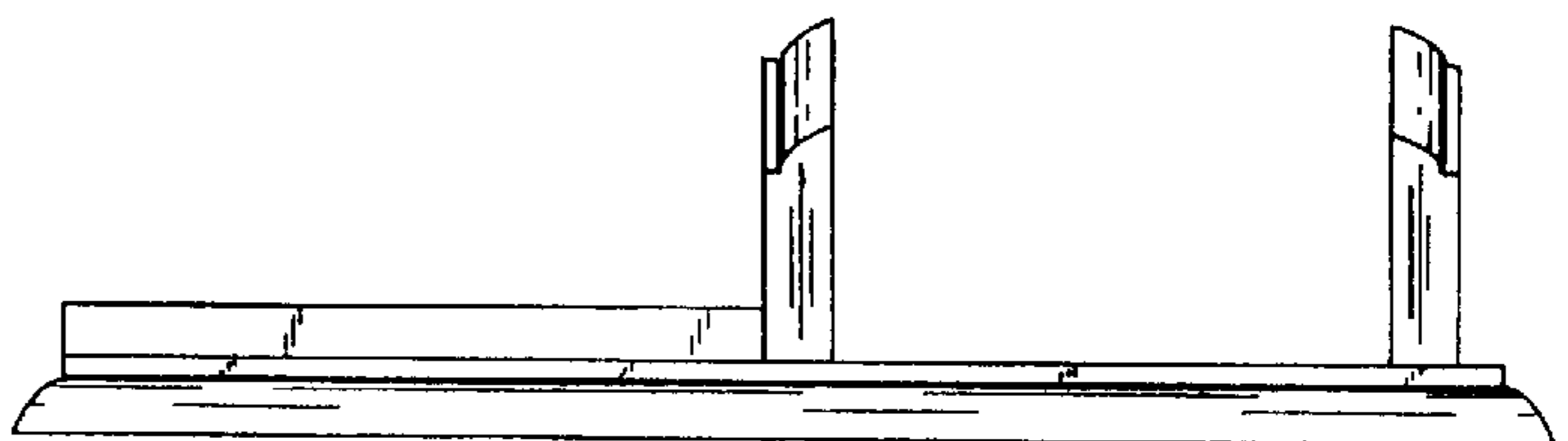


Fig. 3

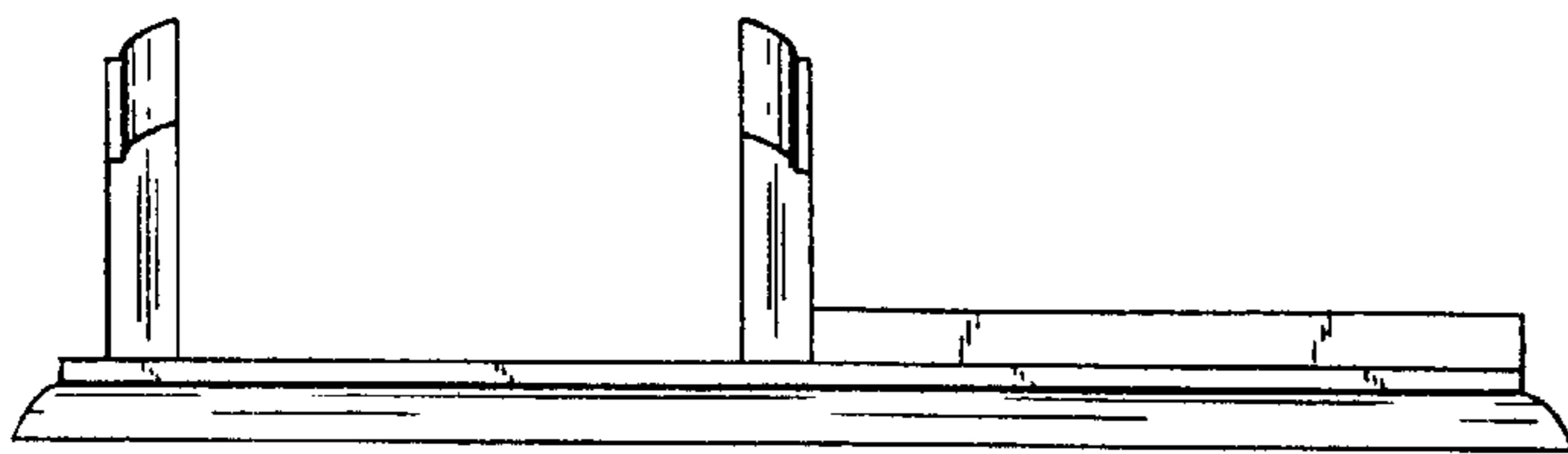


Fig. 4

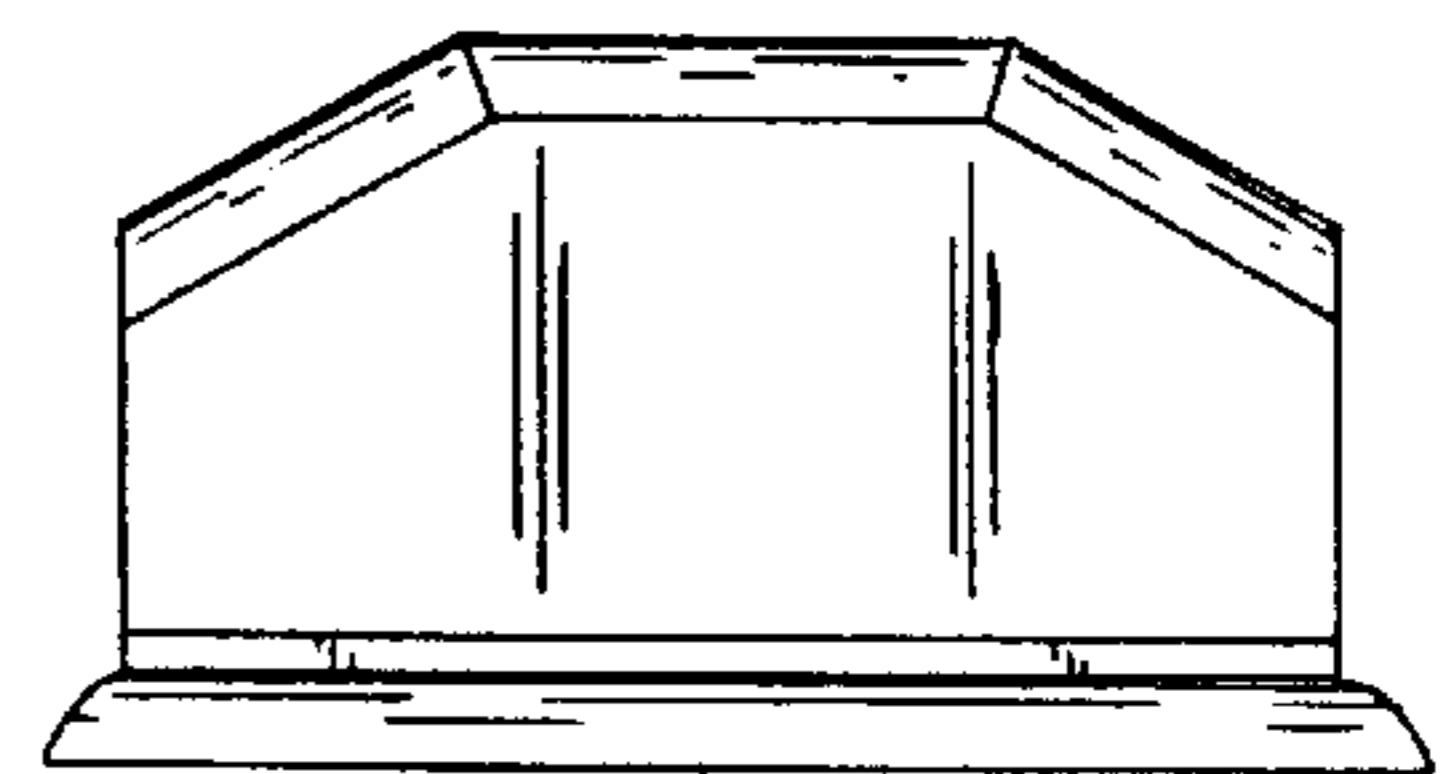


Fig. 5

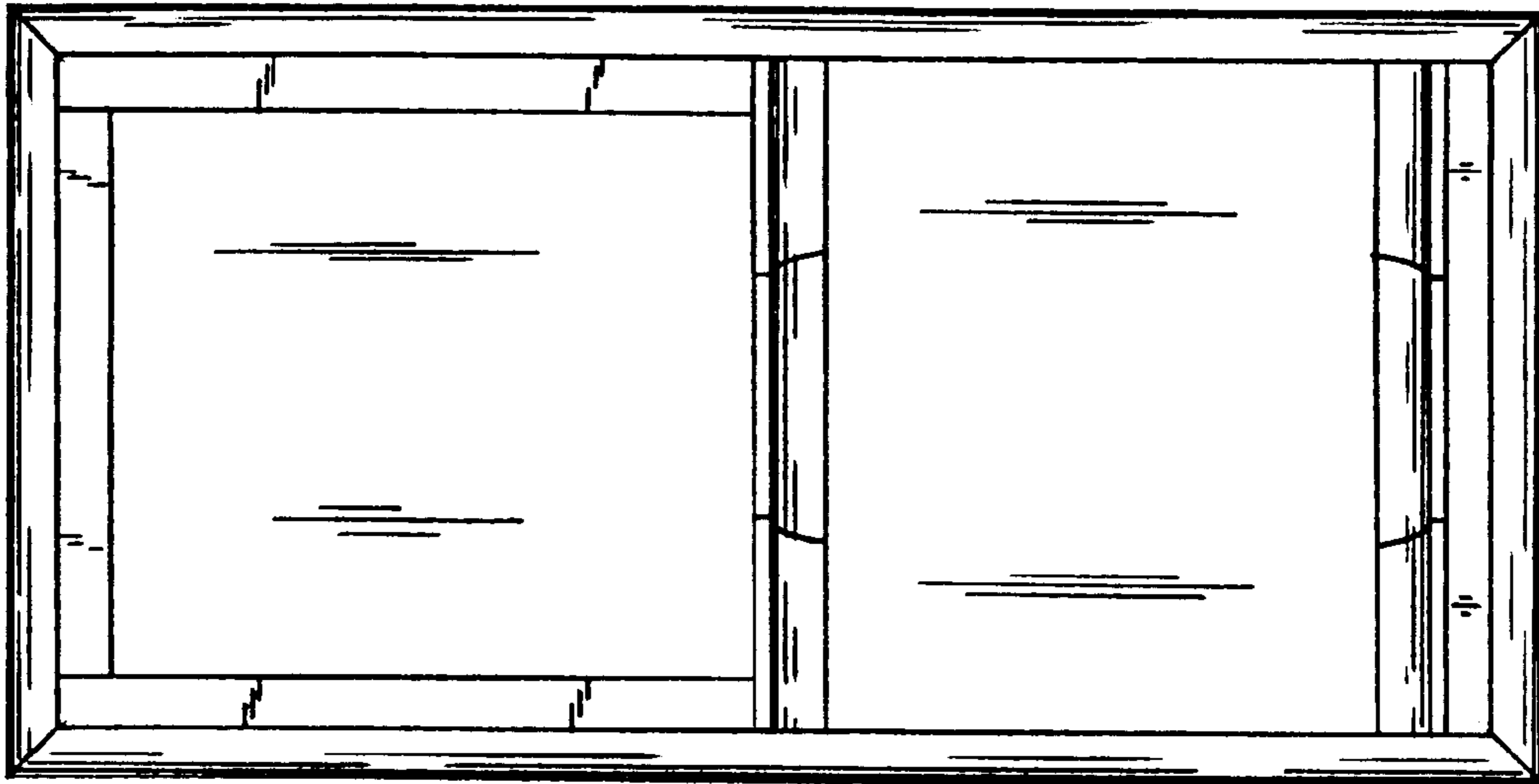


Fig. 6

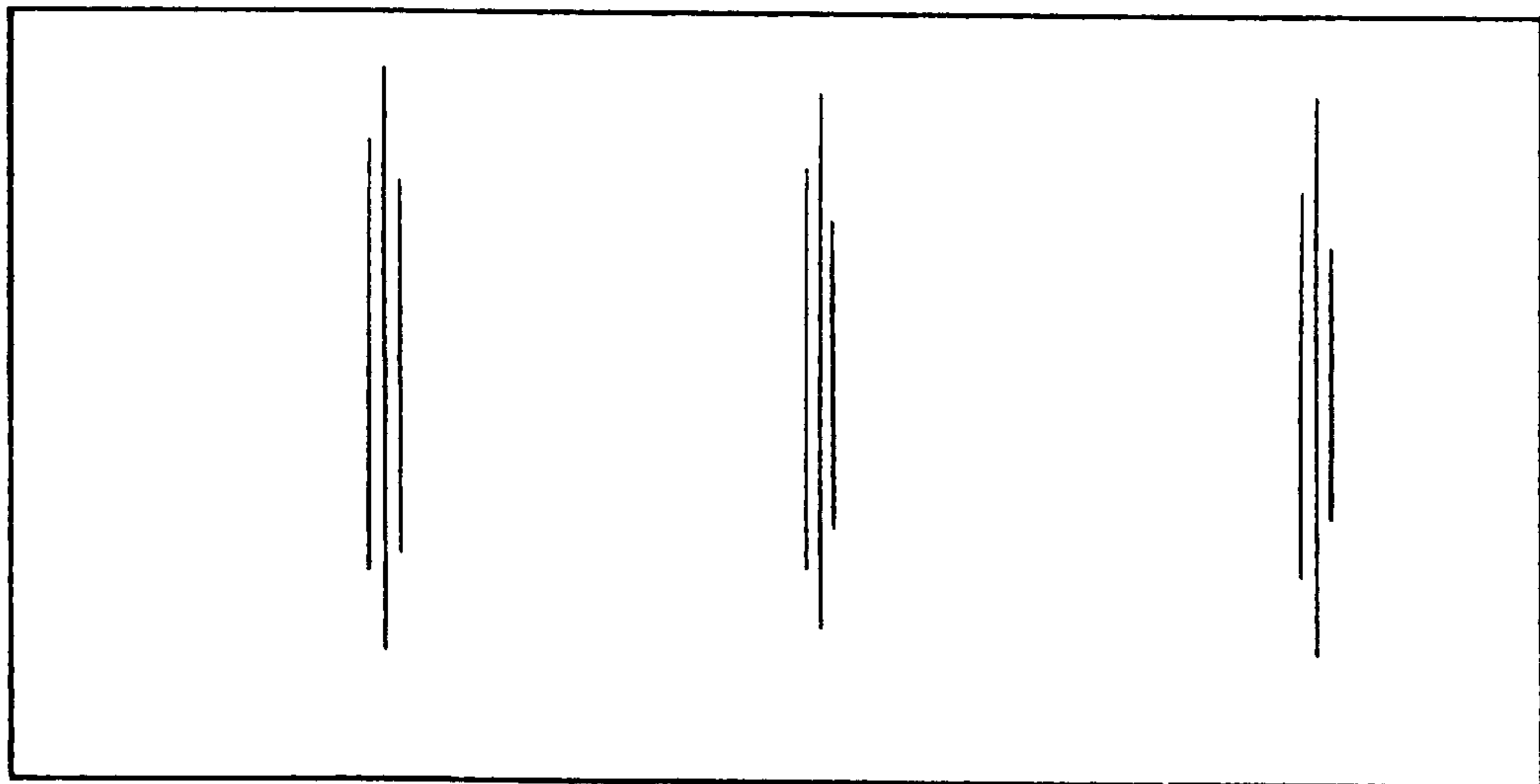


Fig. 7