



US00D421547S

United States Patent [19]

Demers

[11] **Patent Number: Des. 421,547**

[45] **Date of Patent: ** Mar. 14, 2000**

[54] **BEVERAGE CONTAINER WITH DOMED CAP**

[75] Inventor: **Brian J. Demers**, Orlando, Fla.

[73] Assignee: **Dart Industries Inc.**, Orlando, Fla.

[**] Term: **14 Years**

[21] Appl. No.: **29/104,453**

[22] Filed: **May 5, 1999**

[51] **LOC (6) Cl.** **07-01**

[52] **U.S. Cl.** **D7/510; D7/511**

[58] **Field of Search** D7/322, 321.312, D7/300.1, 300, 589, 590, 598, 601, 602, 619, 629, 510, 511, 392, 392.1; 222/158, 364; 220/715, 713, 380

[56] **References Cited**

U.S. PATENT DOCUMENTS

- D. 208,935 10/1967 Marien et al. D7/312
- D. 233,116 10/1974 Swett et al. D7/300.1

- D. 286,367 10/1986 Murphy D7/321
- D. 358,530 5/1995 Mehra et al. D7/510
- D. 391,448 3/1998 Winer et al. D7/510
- D. 409,043 5/1999 Lillelund et al. D7/392
- 5,253,781 10/1993 Van Melle et al. 220/713

Primary Examiner—M. N. Pandozzi
Attorney, Agent, or Firm—Taylor J. Ross

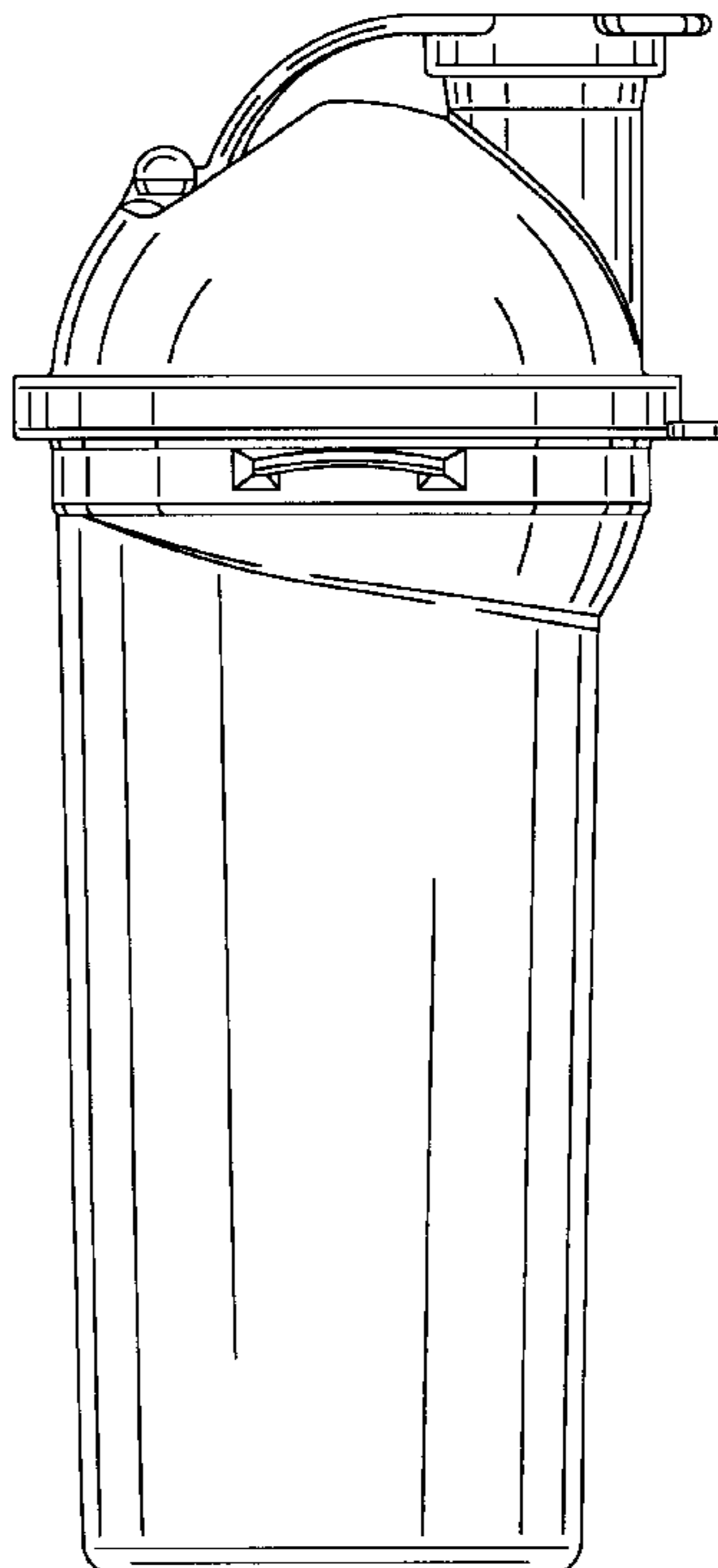
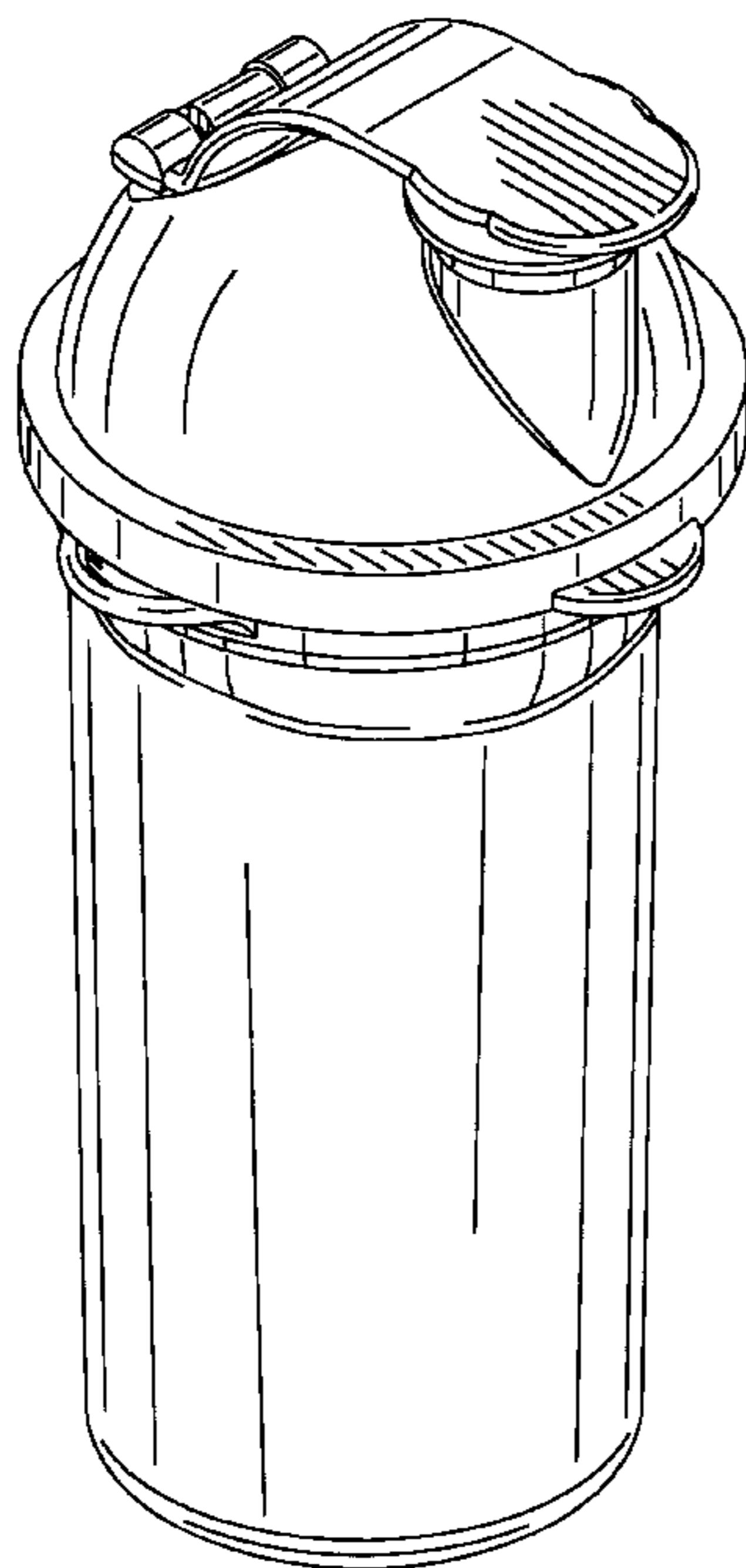
[57] **CLAIM**

The ornamental design for a beverage container with domed cap, as shown and described.

DESCRIPTION

FIG. 1 is a top, side and front perspective view of a beverage container with domed cap showing the new design; FIG. 2 is a front elevation view thereof; FIG. 3 is a rear elevation view thereof; FIG. 4 is a right side elevation view thereof; FIG. 5 is a left side elevation view thereof; FIG. 6 is a top plan view thereof; and, FIG. 7 is a bottom plan view thereof.

1 Claim, 3 Drawing Sheets



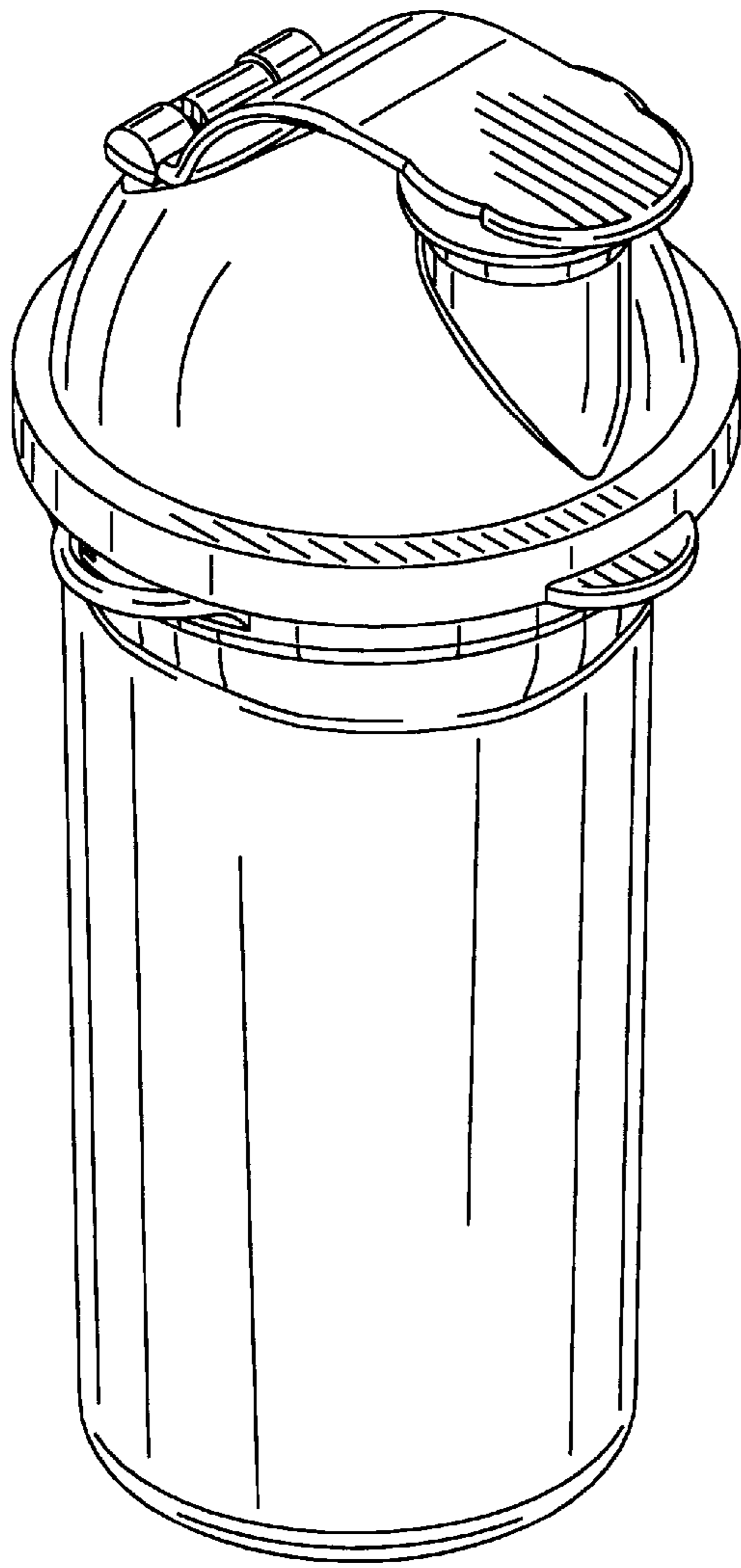


Fig. 1

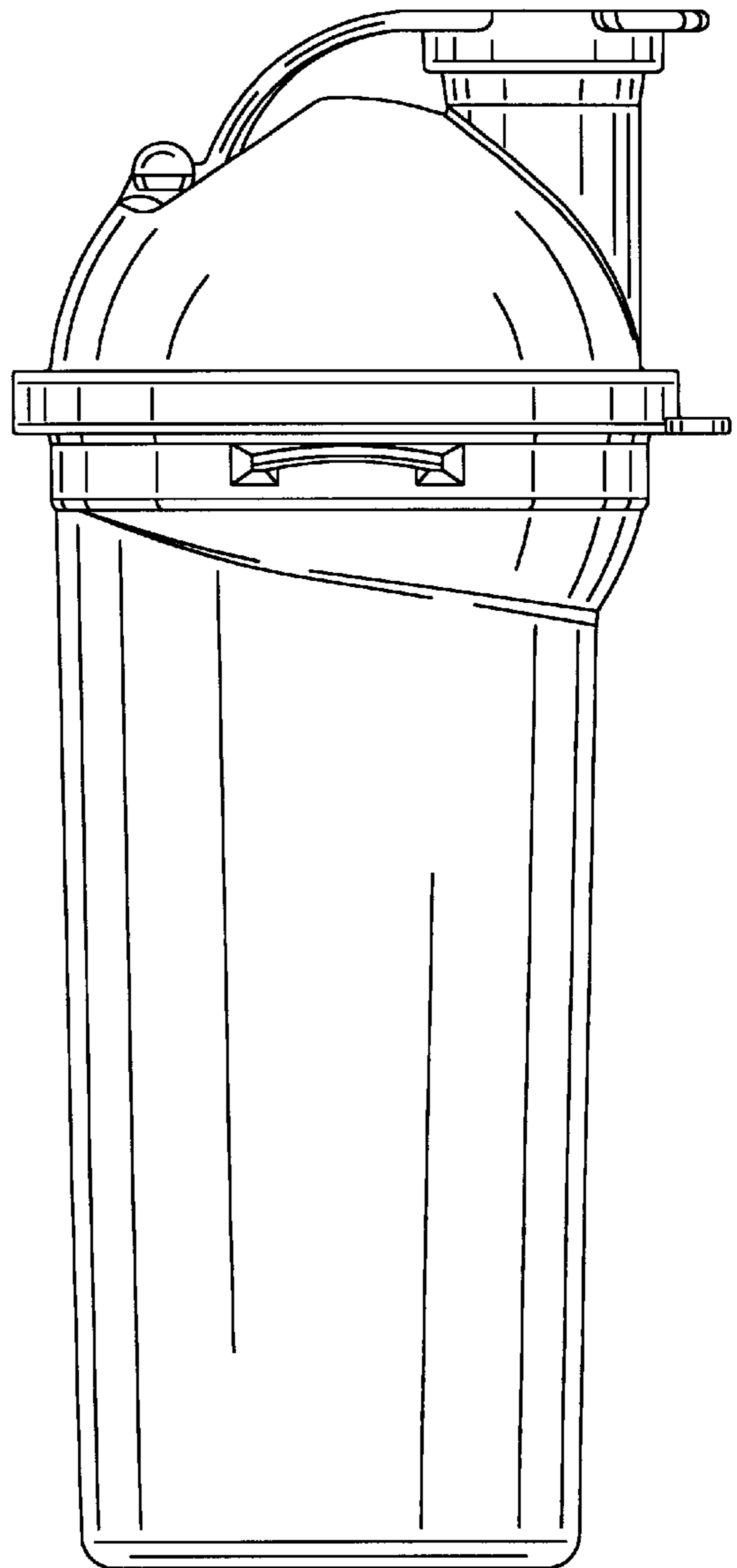


Fig. 2

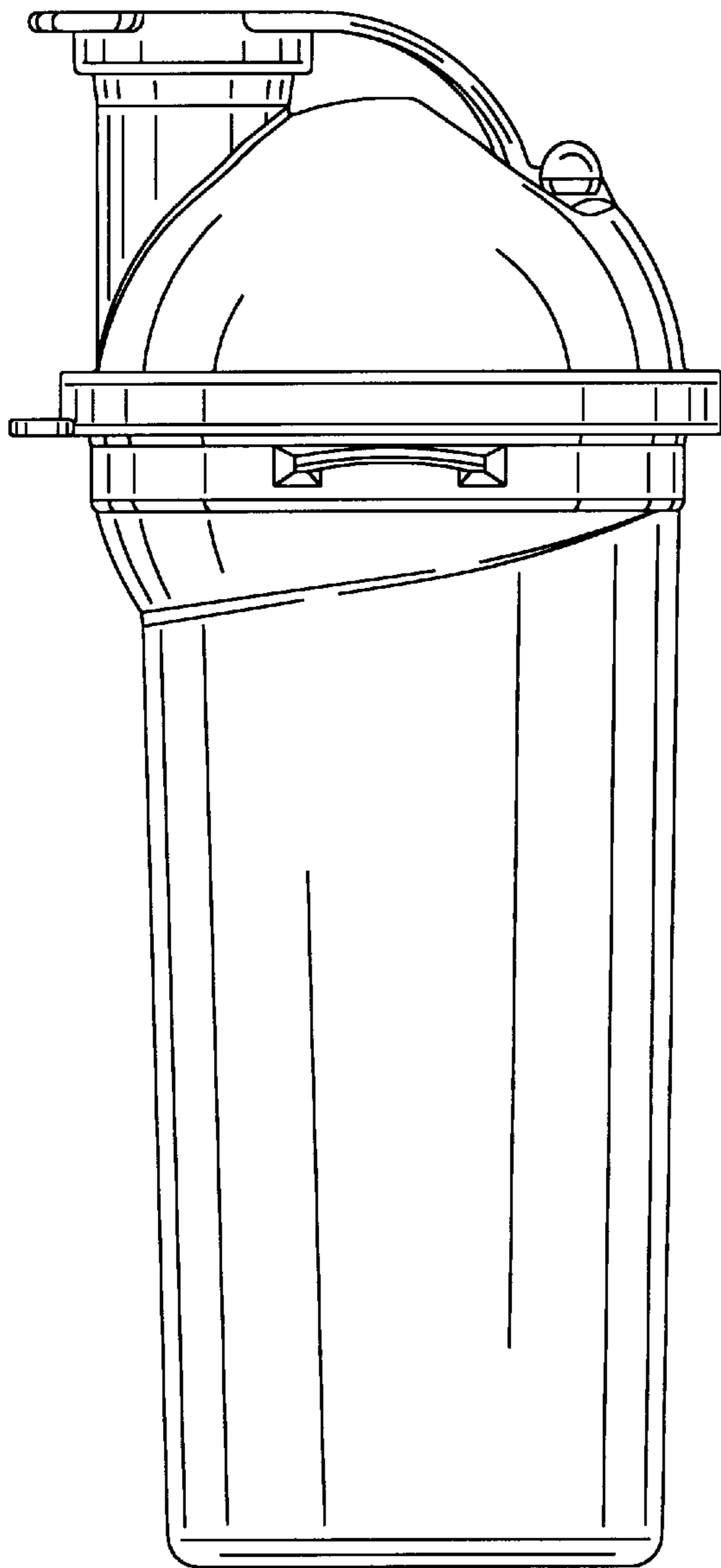


Fig. 3

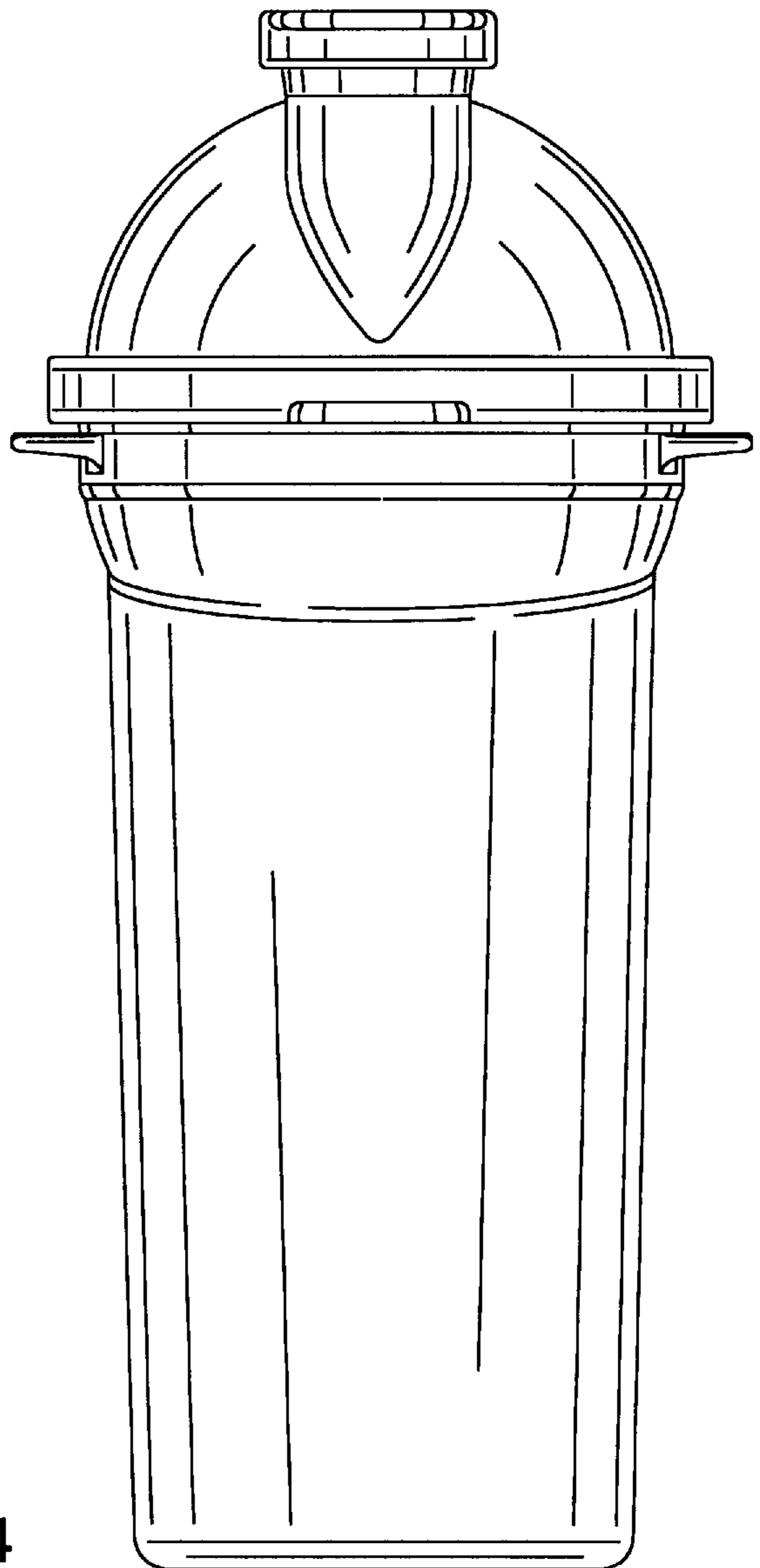


Fig. 4

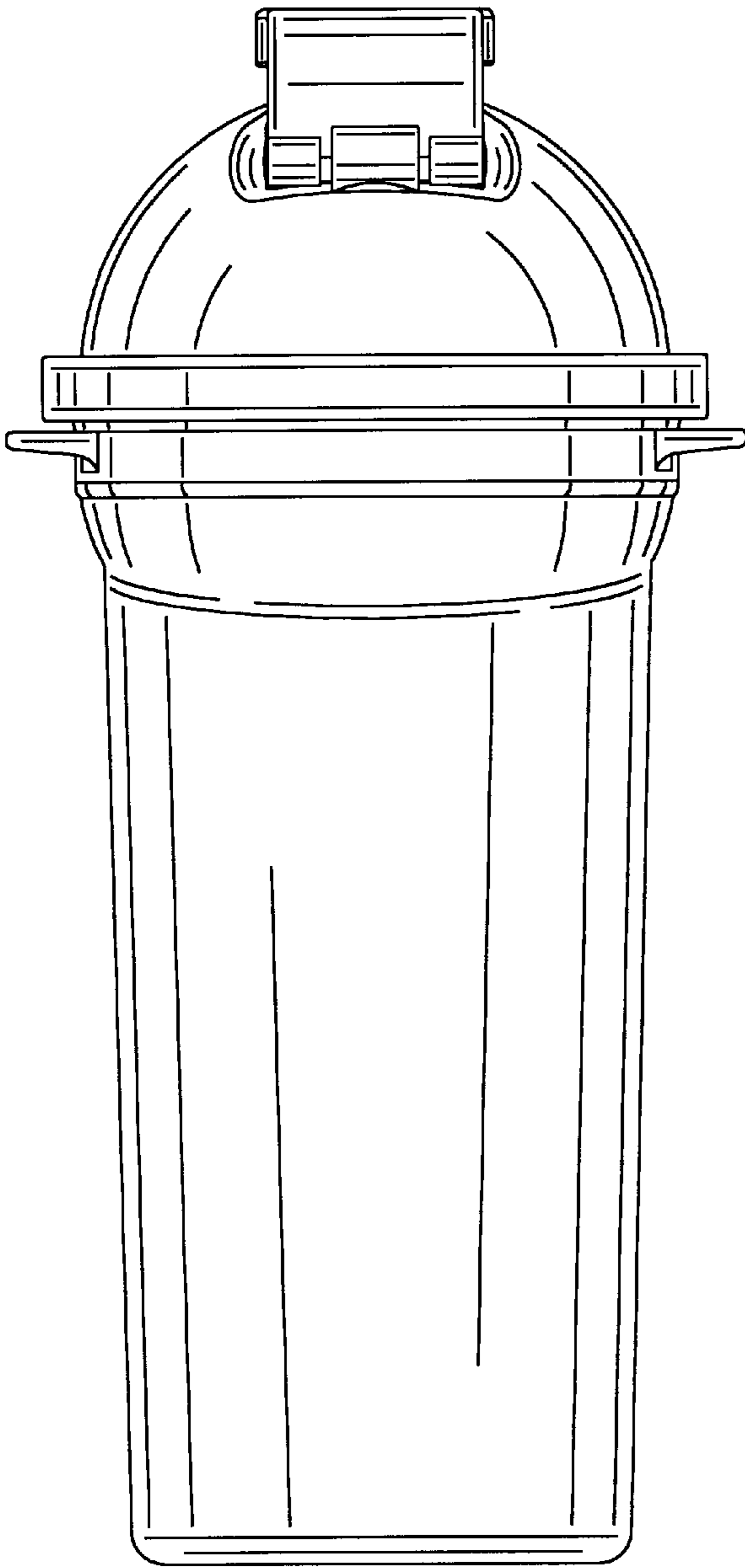


Fig. 5

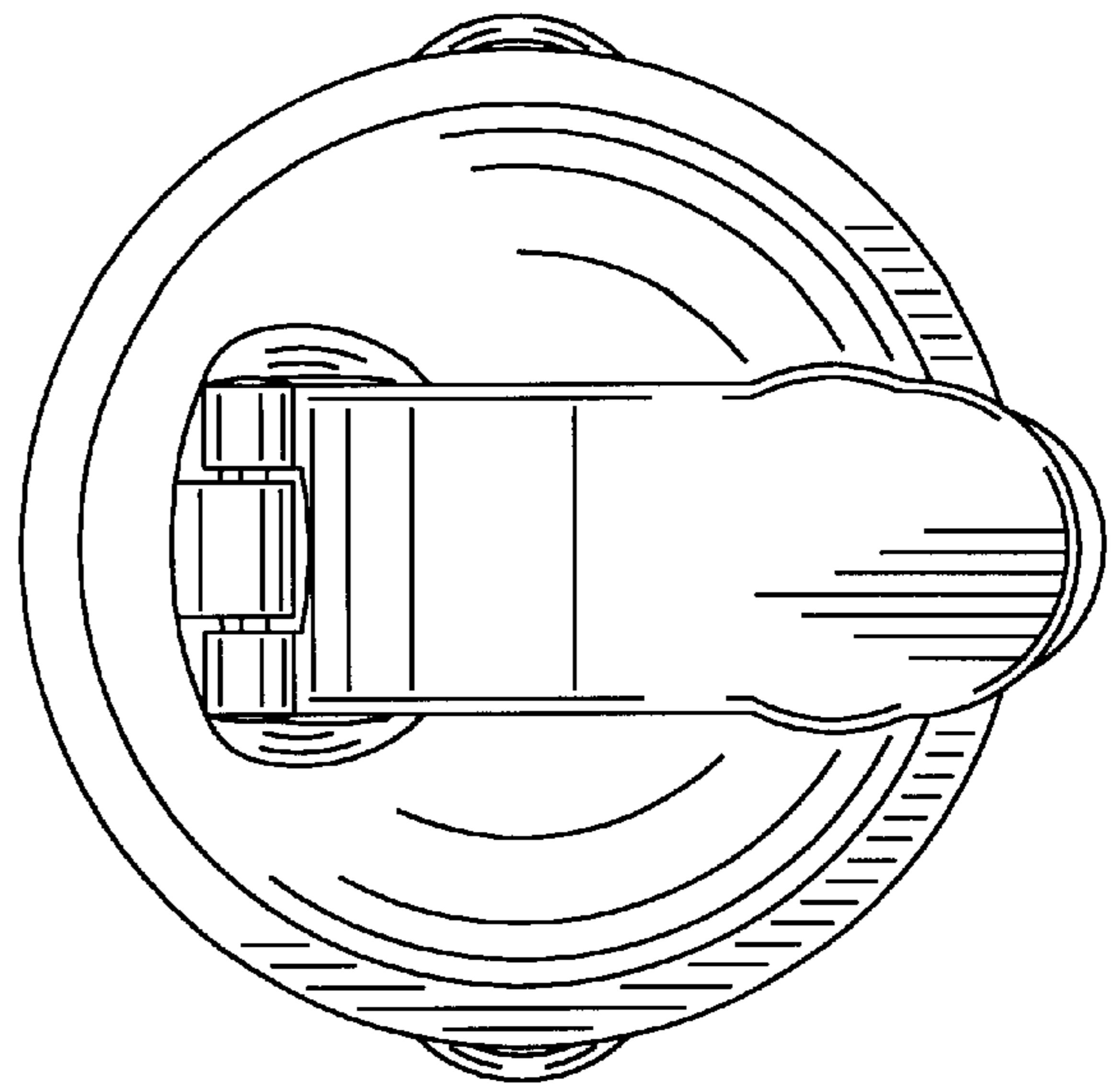


Fig. 6

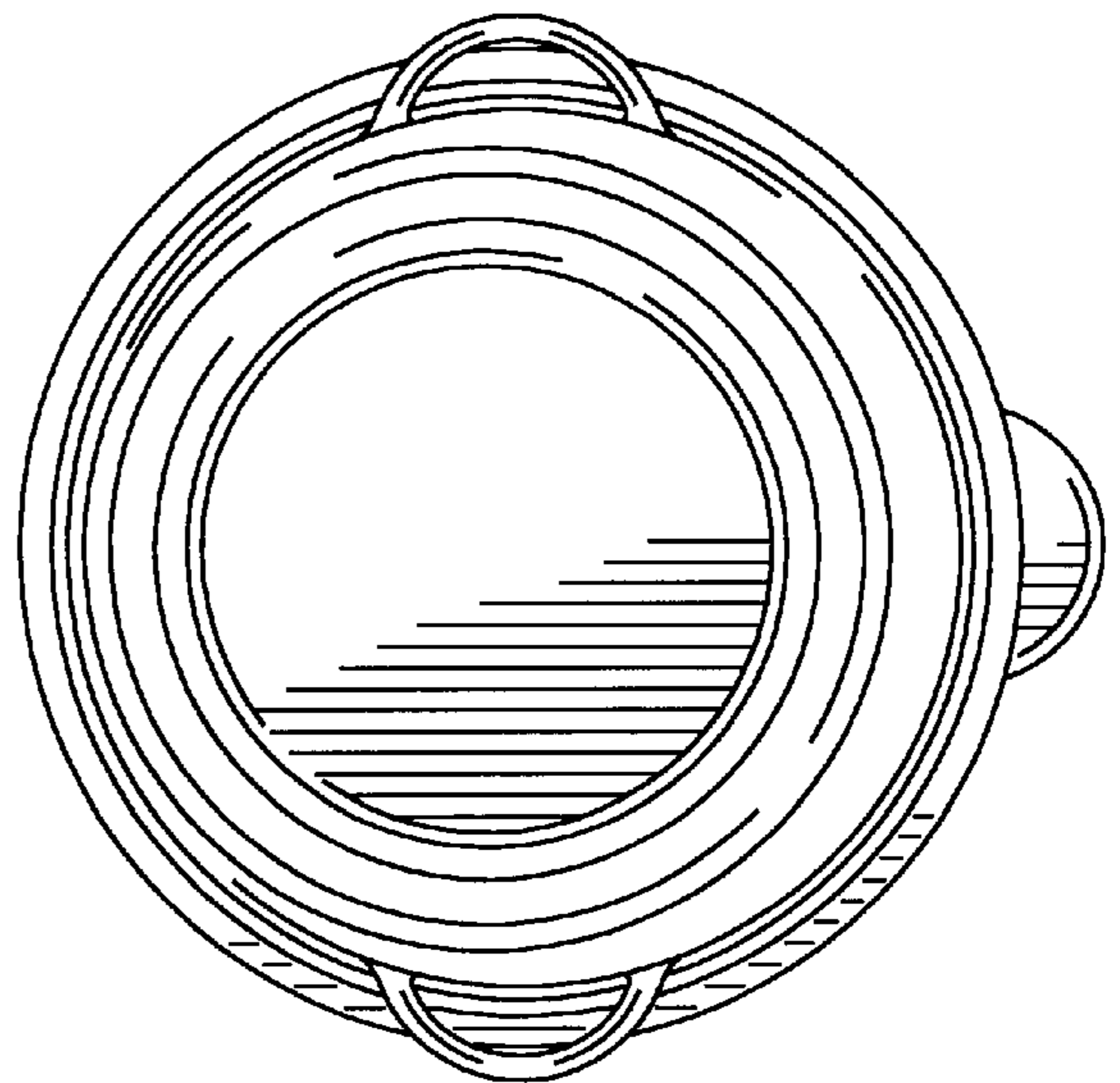


Fig. 7