



US00D421546S

United States Patent [19]

Ekström

[11] **Patent Number: Des. 421,546**

[45] **Date of Patent: ** Mar. 14, 2000**

[54] **CUTTING DEVICE PERTAINING TO FOOD PROCESSORS**

D. 395,573	6/1998	Leverrier	D7/381
4,143,824	3/1979	Shiotani	241/282.1
4,723,719	2/1988	Williams	241/282.2

[75] Inventor: **Ulf Ekström**, Täby, Sweden

[73] Assignee: **AB Hälde Maskiner**, Kista, Sweden

[**] Term: **14 Years**

[21] Appl. No.: **29/098,609**

[22] Filed: **Jan. 2, 1999**

[30] **Foreign Application Priority Data**

Jul. 2, 1998 [SE] Sweden 981344

[51] **LOC (6) Cl.** **31-00**

[52] **U.S. Cl.** **D7/412**

[58] **Field of Search** D7/376, 384, 381;
241/282.1, 199.12, 282.2, 52, 67, 98, 244;
366/279, 309, 314, 325.92, 330.1, 330.2,
342, 343

[56] **References Cited**

U.S. PATENT DOCUMENTS

D. 367,800 3/1996 Littmann D7/384

Primary Examiner—Caron D. Veynar
Attorney, Agent, or Firm—Alfred J. Mangels

[57] **CLAIM**

The ornamental design for a cutting device pertaining to food processors, as shown and described.

DESCRIPTION

FIG. 1 is a perspective view of a cutting device pertaining to food processors in accordance with my design.

FIG. 2 is a front elevational view thereof.

FIG. 3 is a rear elevational view thereof.

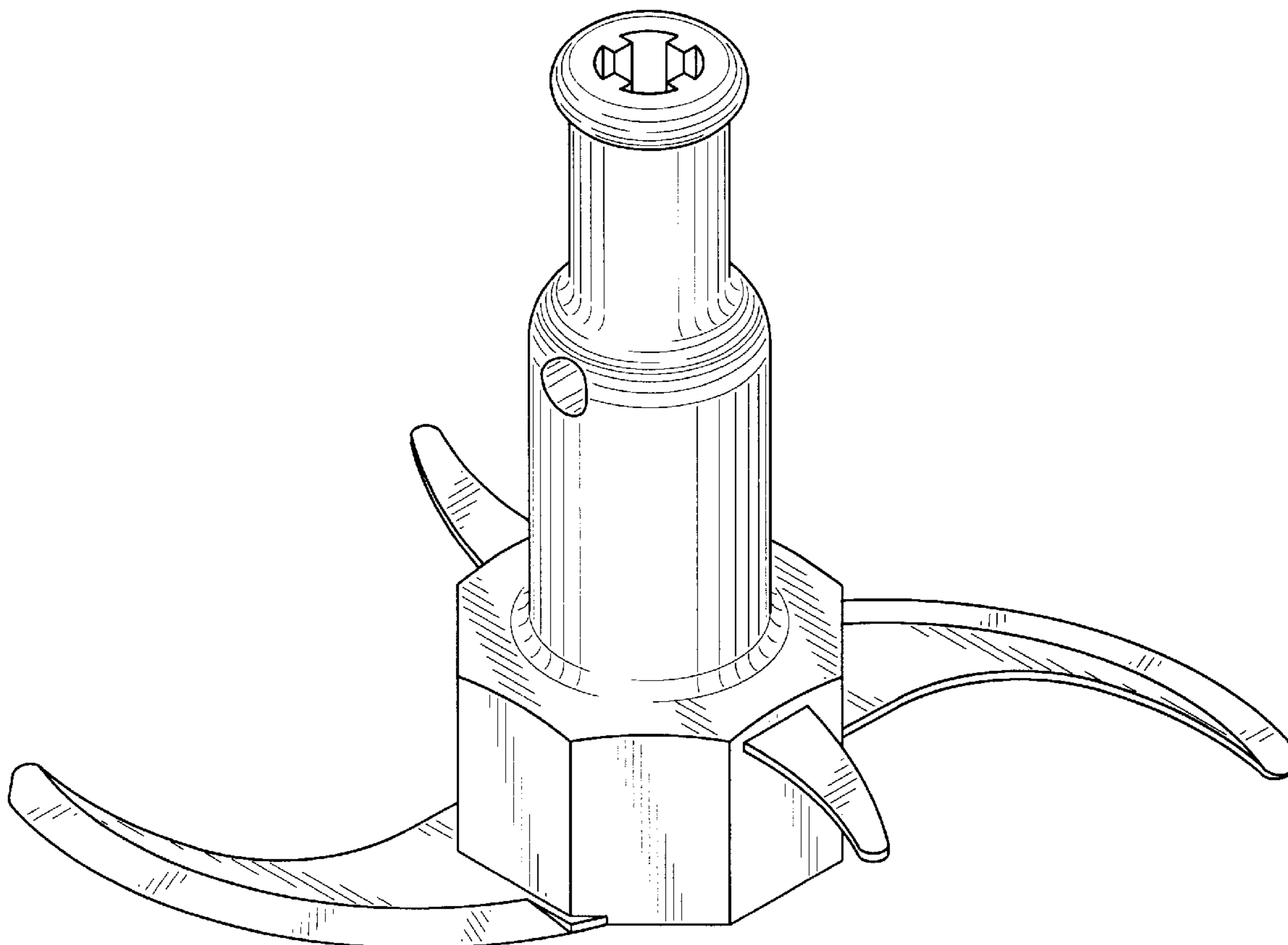
FIG. 4 is a right side elevational view thereof.

FIG. 5 is a left side elevational view thereof.

FIG. 6 is top view thereof; and,

FIG. 7 is a bottom view thereof.

1 Claim, 7 Drawing Sheets



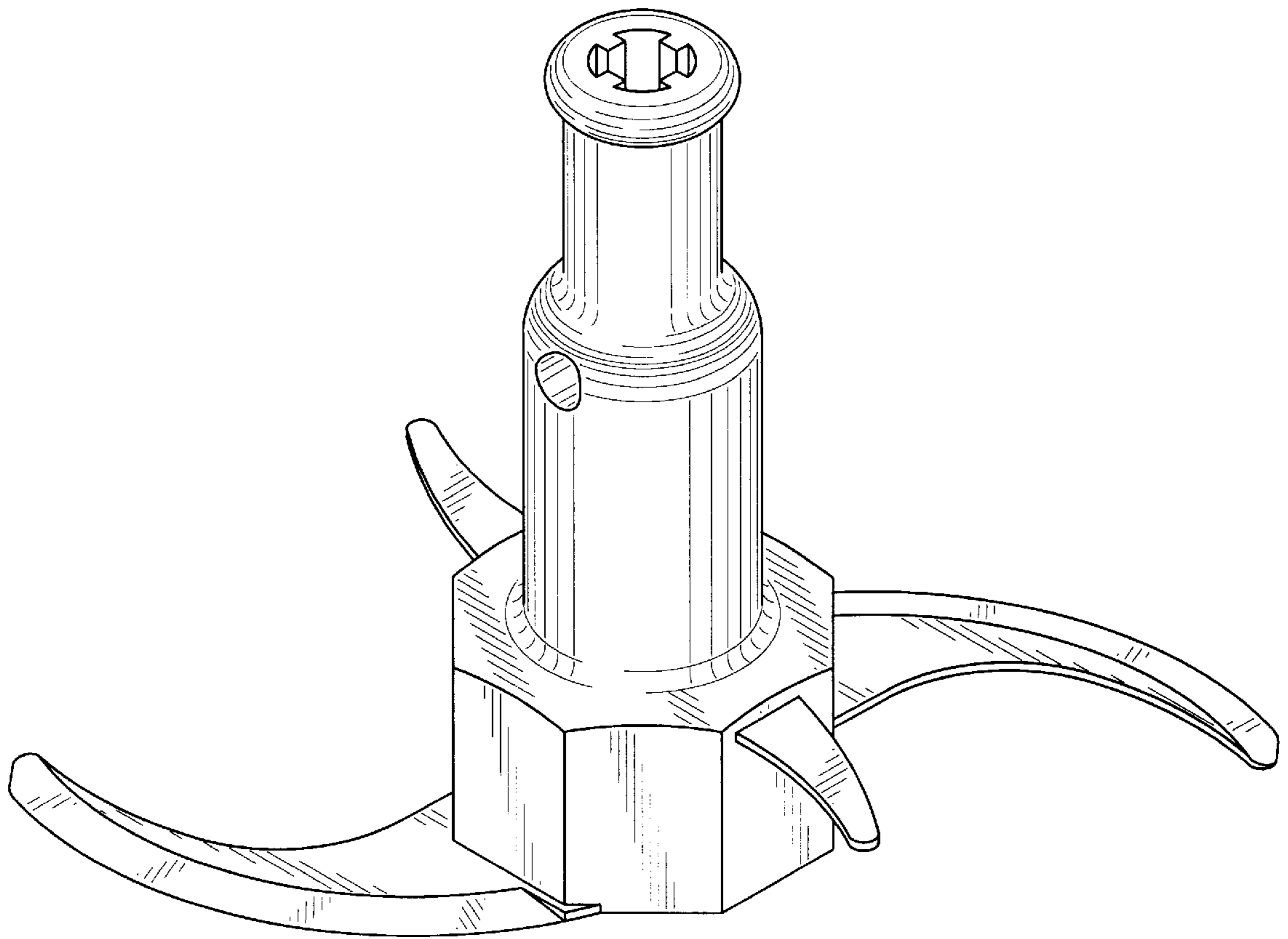


FIG. 1

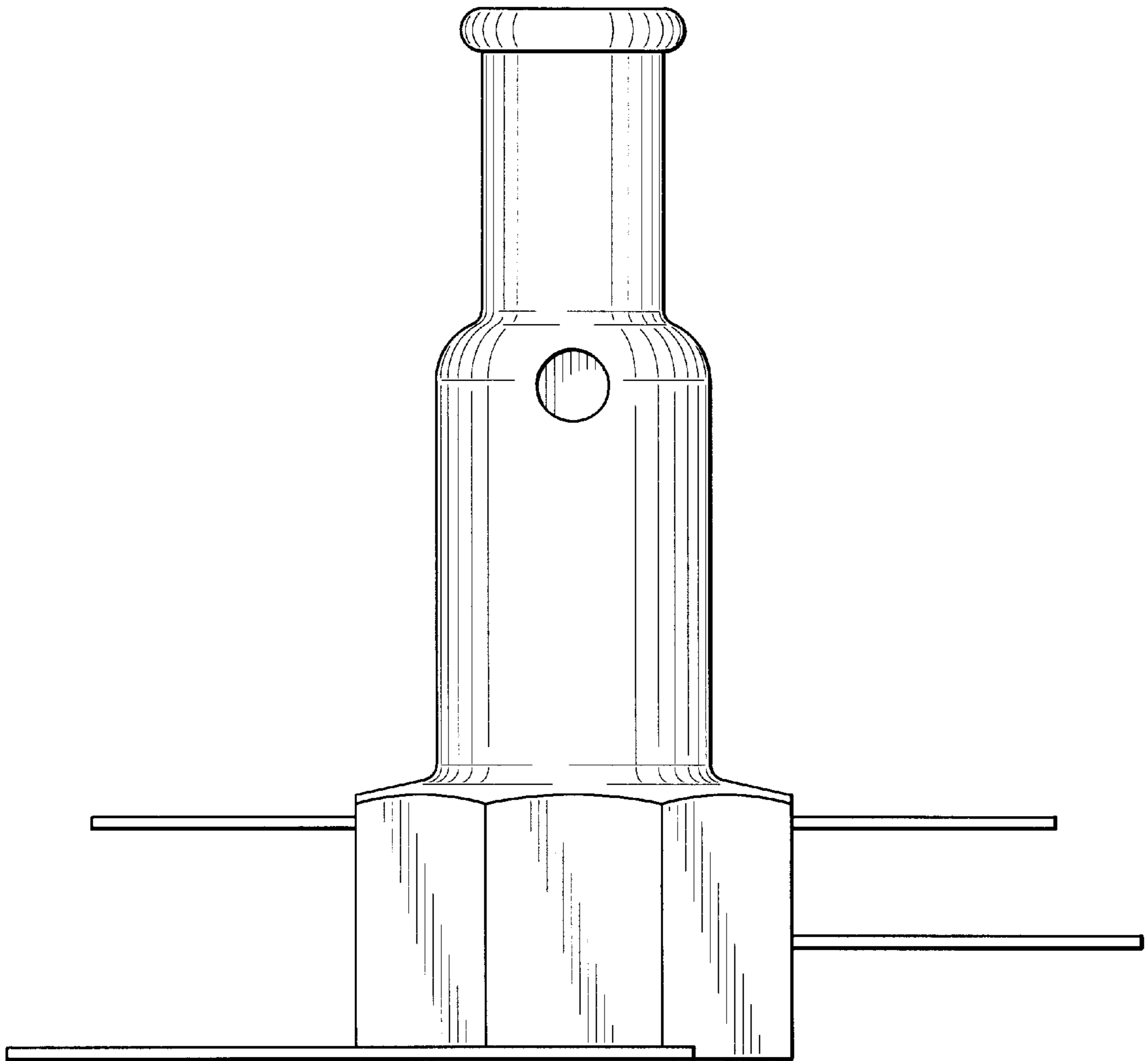


FIG. 2

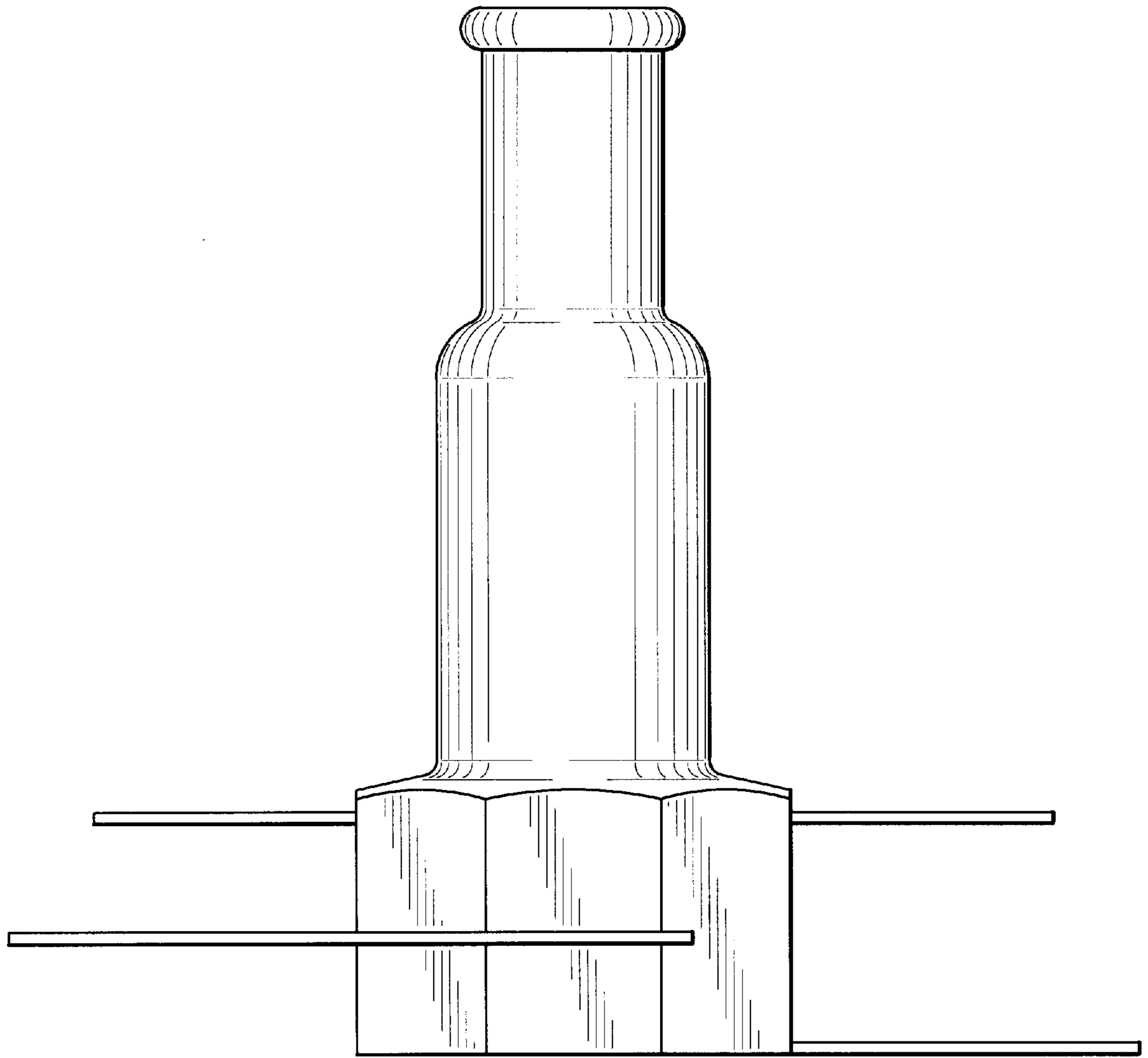


FIG. 3

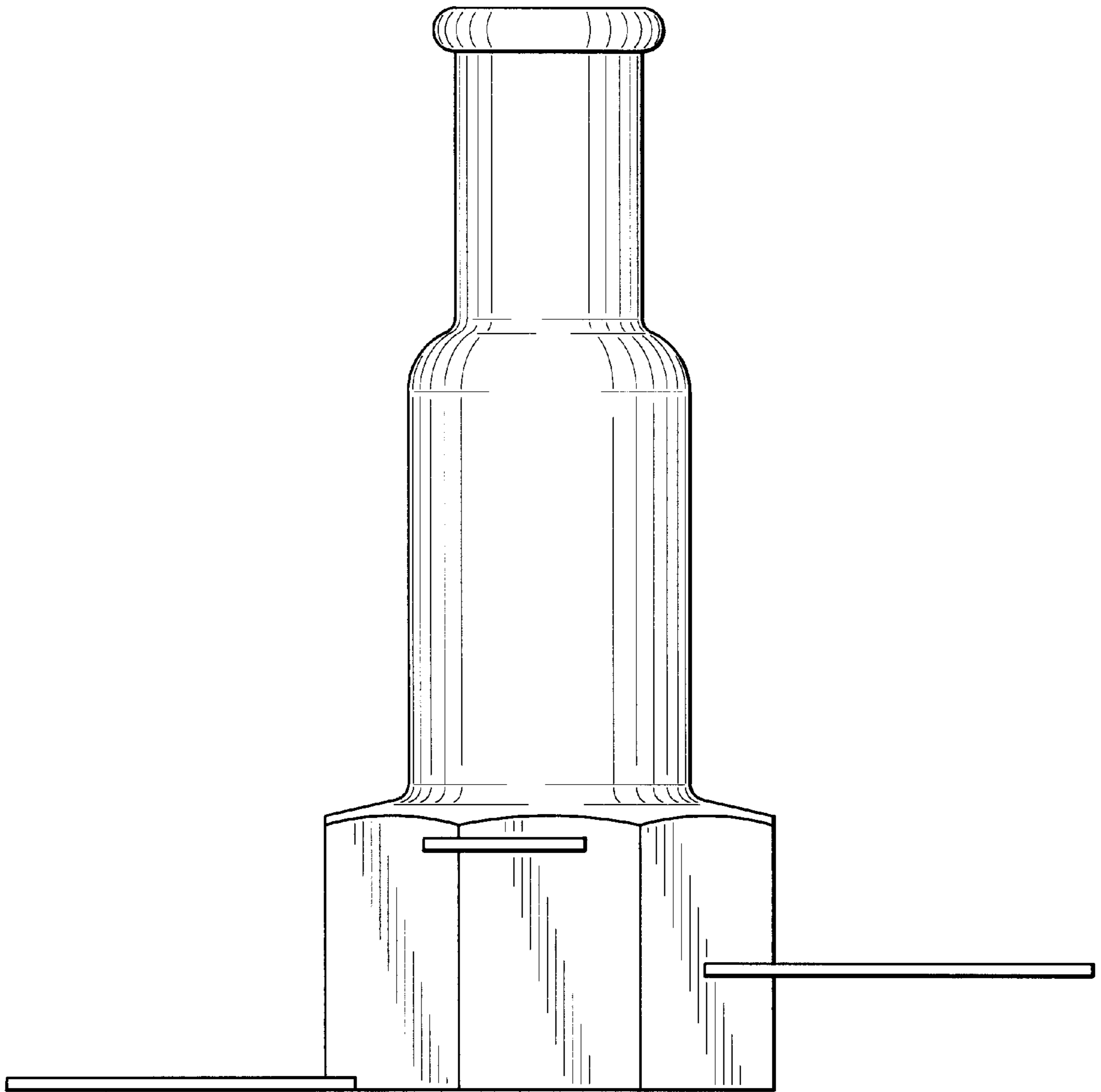


FIG. 4

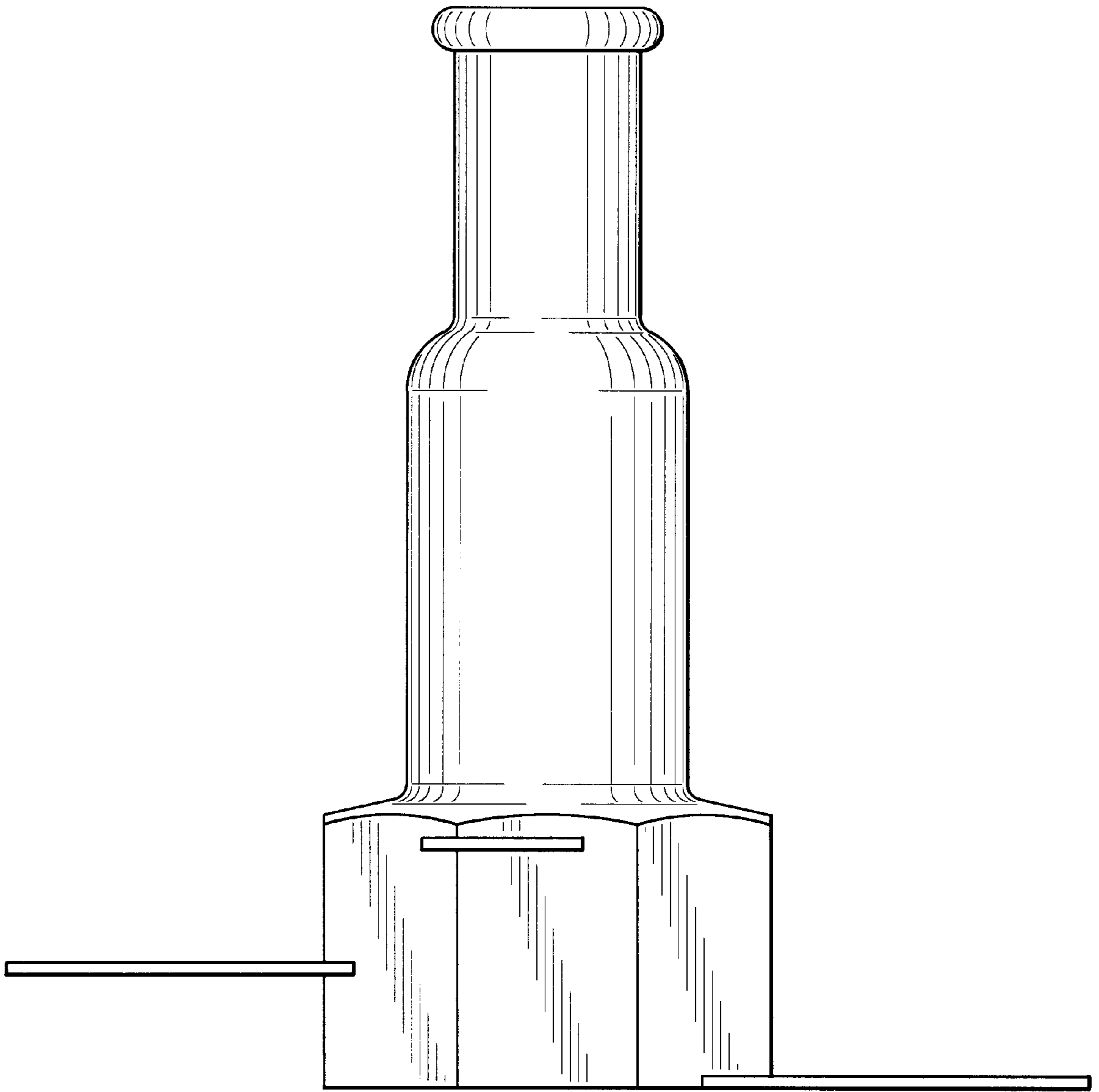


FIG. 5

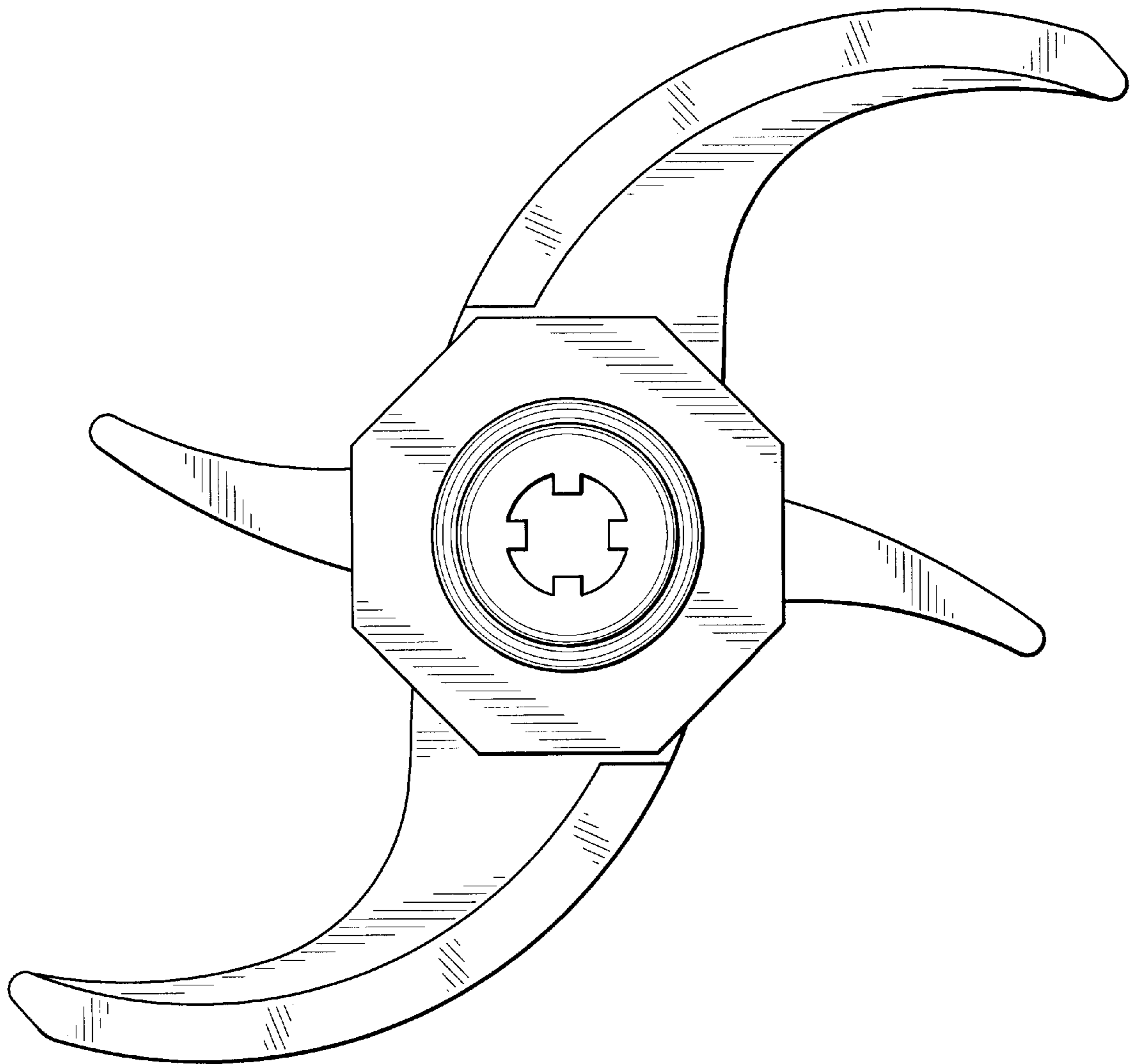


FIG. 6

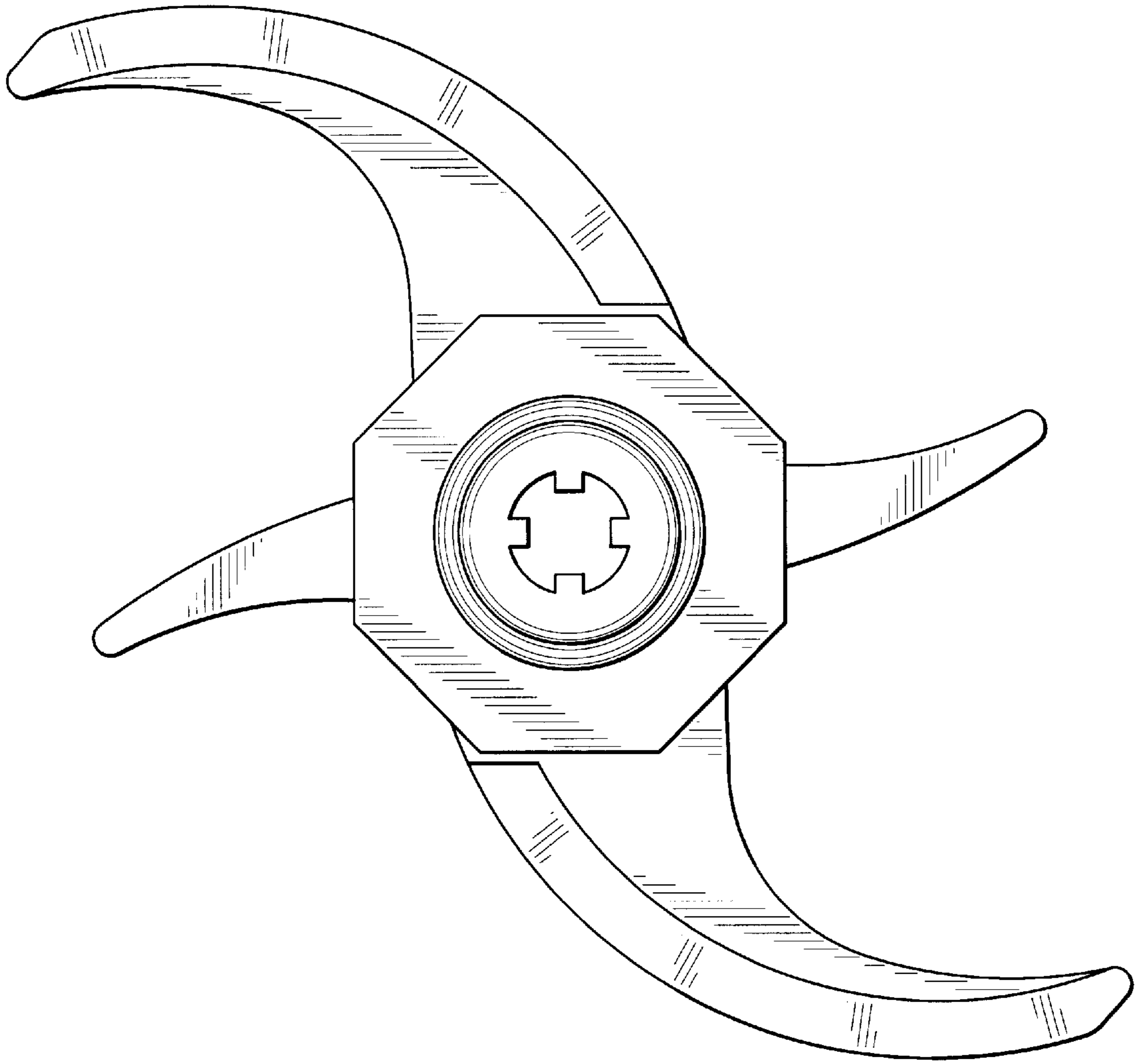


FIG. 7