



US00D421545S

United States Patent [19]

Ekström

[11] Patent Number: **Des. 421,545**

[45] Date of Patent: **** Mar. 14, 2000**

[54] **SCRAPER ARRANGEMENT PERTAINING TO FOOD PROCESSORS**

4,832,501 5/1989 McCauley 366/279
4,961,647 10/1990 Coutts et al. 366/139

[75] Inventor: **Ulf Ekström**, Täby, Sweden

Primary Examiner—Caron D. Veynar
Attorney, Agent, or Firm—Alfred J. Mangels

[73] Assignee: **AB Hälde Maskiner**, Kista, Sweden

[**] Term: **14 Years**

[57] **CLAIM**

[21] Appl. No.: **29/098,608**

The ornamental design for a scraper arrangement pertaining to food processors, as shown and described.

[22] Filed: **Jan. 2, 1999**

DESCRIPTION

[30] **Foreign Application Priority Data**

Jul. 2, 1998 [SE] Sweden 98-1343

FIG. 1 is a front perspective upper view of a scraper arrangement pertaining to food processors in accordance with my design.

[51] **LOC (6) Cl.** **31-00**

FIG. 2 is a front perspective lower view thereof.

[52] **U.S. Cl.** **D7/412; D7/376**

FIG. 3 is a right side elevational view thereof.

[58] **Field of Search** D7/376-386, 412;
366/98, 244, 247, 248, 279, 309, 314, 325.4,
325.92, 139, 326, 330.1, 330.2, 342, 343,
52, 67

FIG. 4 is a front elevational view thereof; and,

FIG. 5 is a rear elevational view thereof.

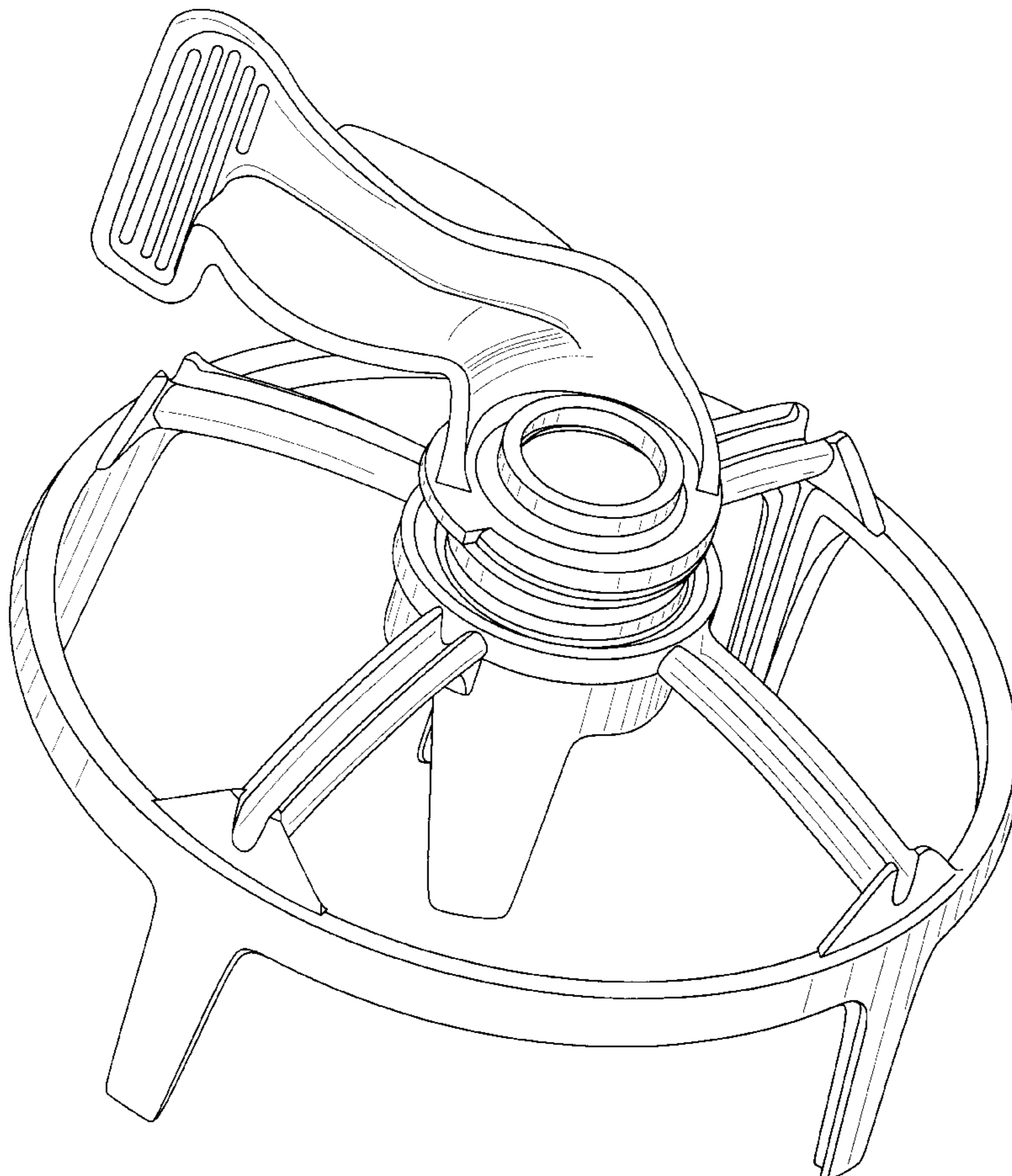
The upper, outer portions of the symmetrical scraper outer ring, spokes, and symmetrical scraper inner ring not visible in FIG. 1 have the same appearance as corresponding portions of those elements of the design that are visible in FIG. 1. The lower inner portions of the symmetrical scraper outer ring, spokes, and symmetrical scraper inner ring not visible in FIG. 2 have the same appearance as corresponding portions of those elements of the design that are visible in FIG. 2.

[56] **References Cited**

U.S. PATENT DOCUMENTS

- D. 366,593 1/1996 Robinson D7/376
- D. 374,150 10/1996 Lillelund et al. D7/387
- D. 399,091 10/1998 Rubin D7/376
- 1,837,636 12/1931 Voss 366/325.4 X
- 4,049,243 9/1977 Kramer 366/98

1 Claim, 5 Drawing Sheets



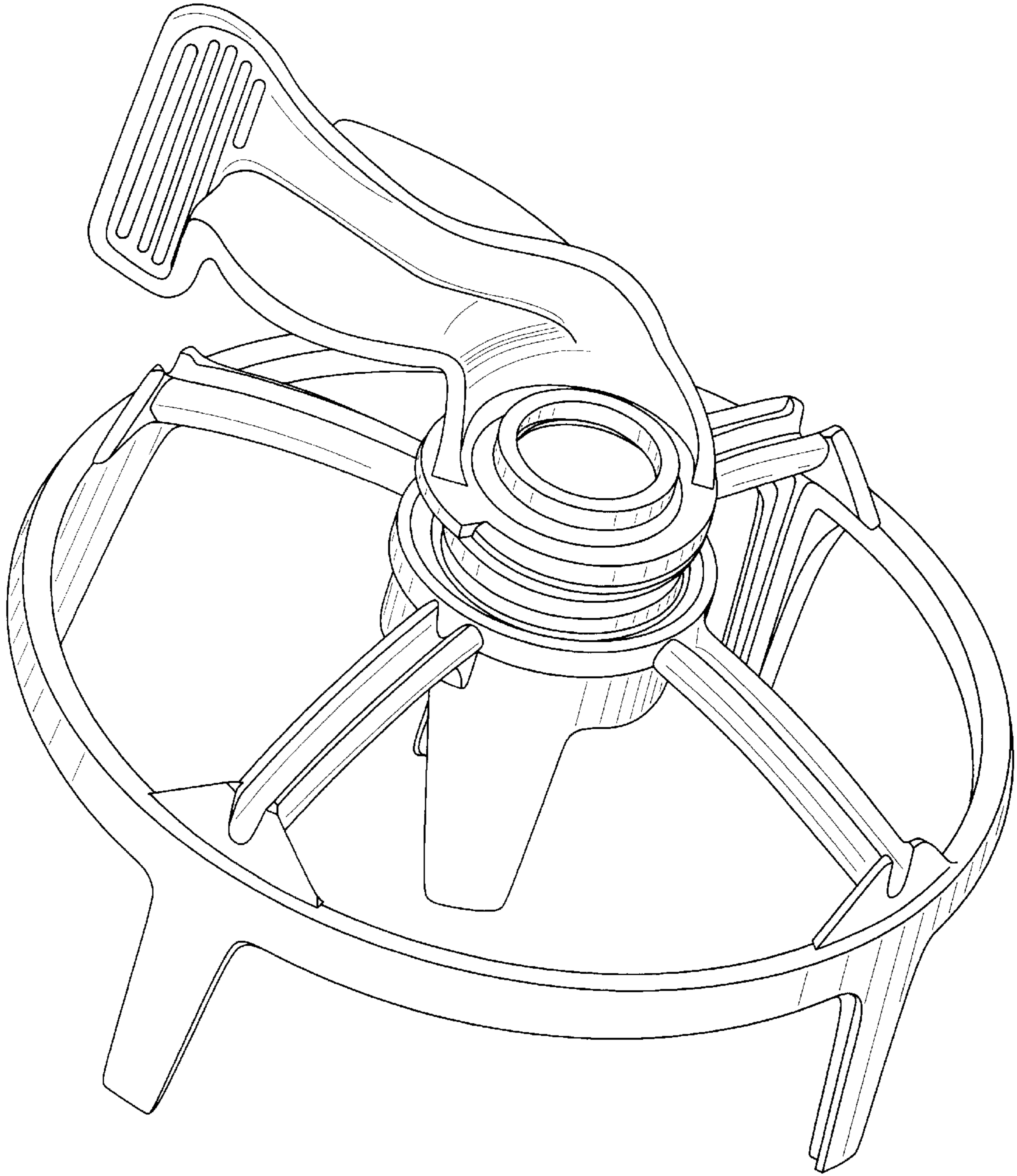


FIG. 1

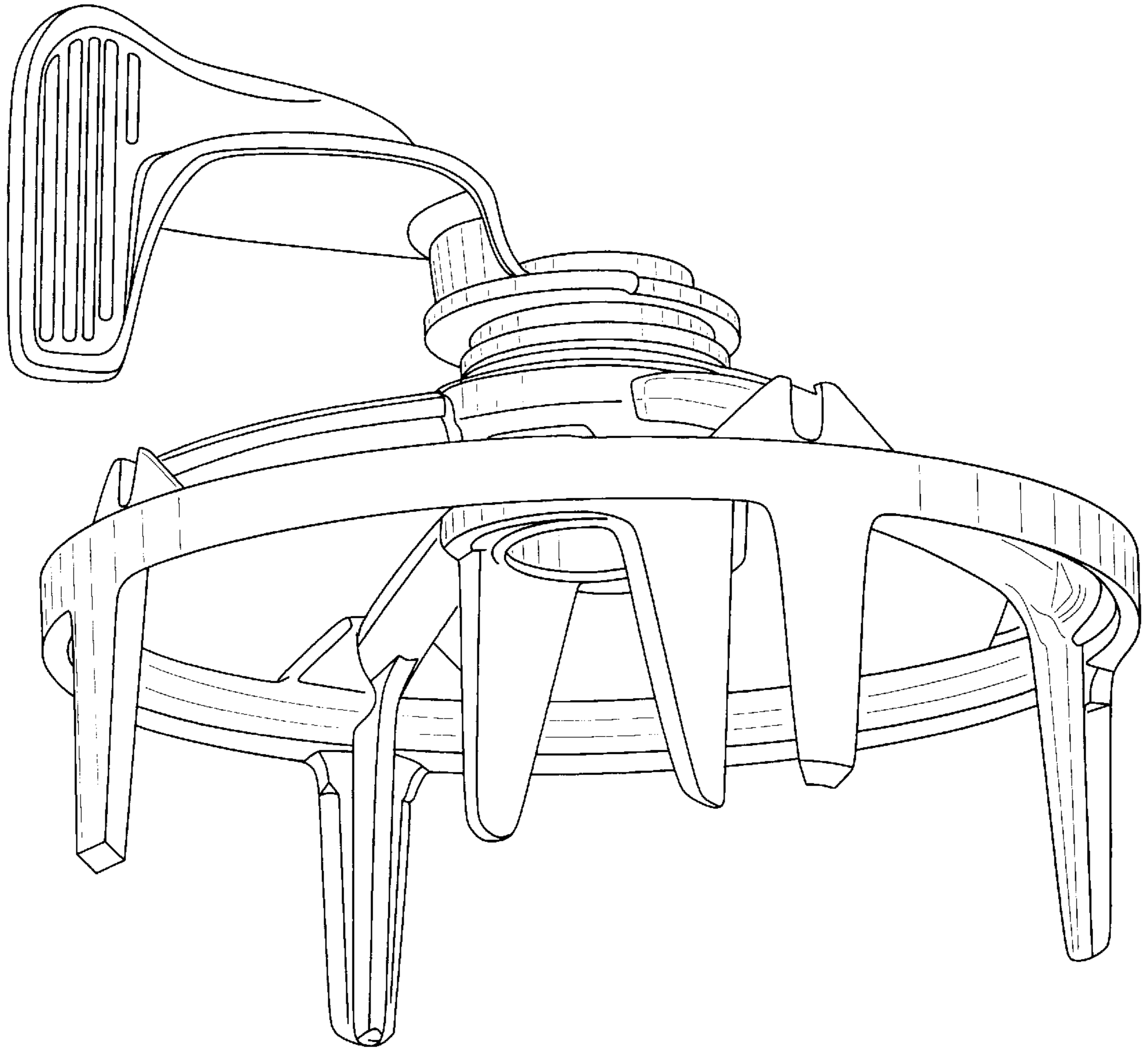


FIG. 2

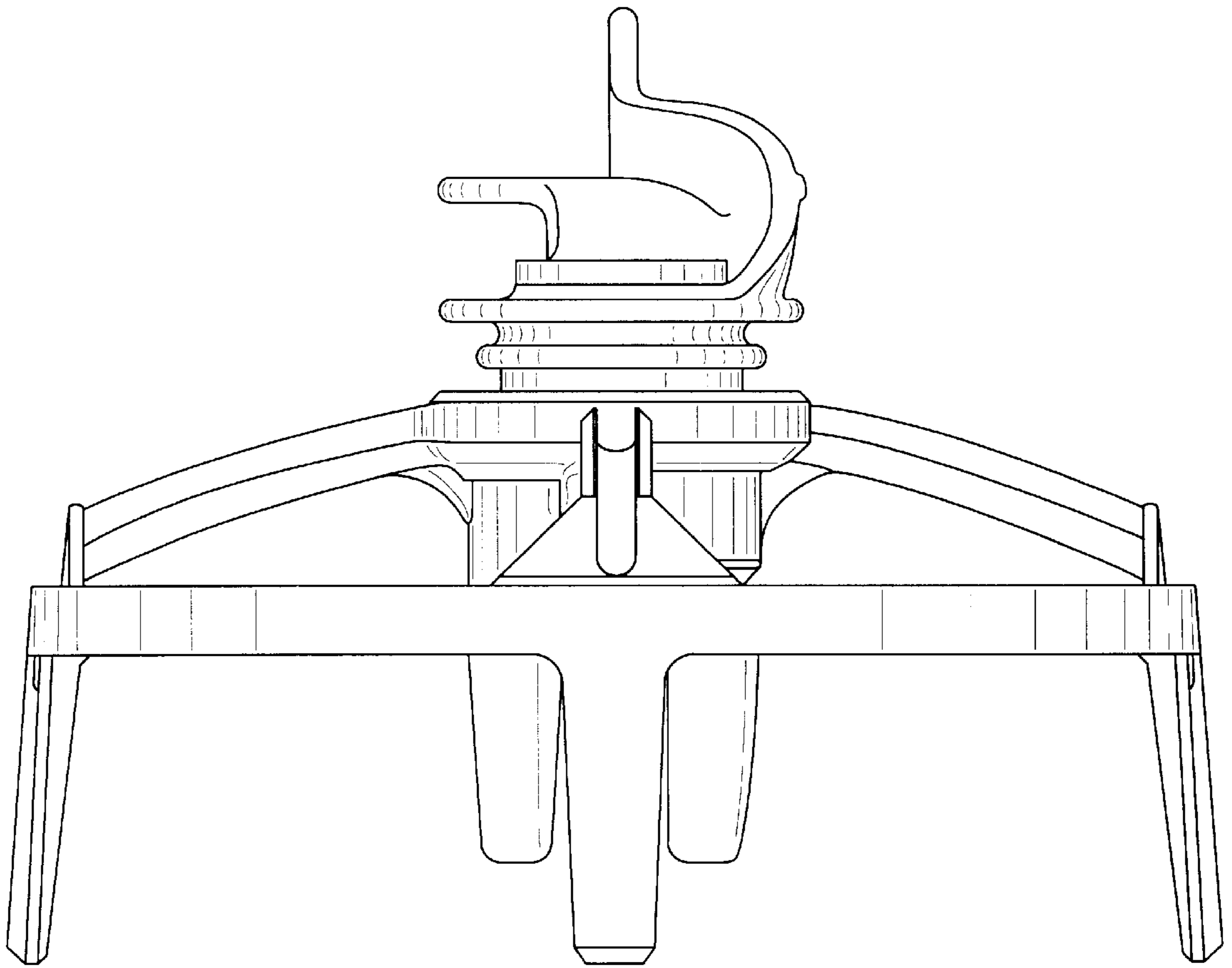


FIG. 3

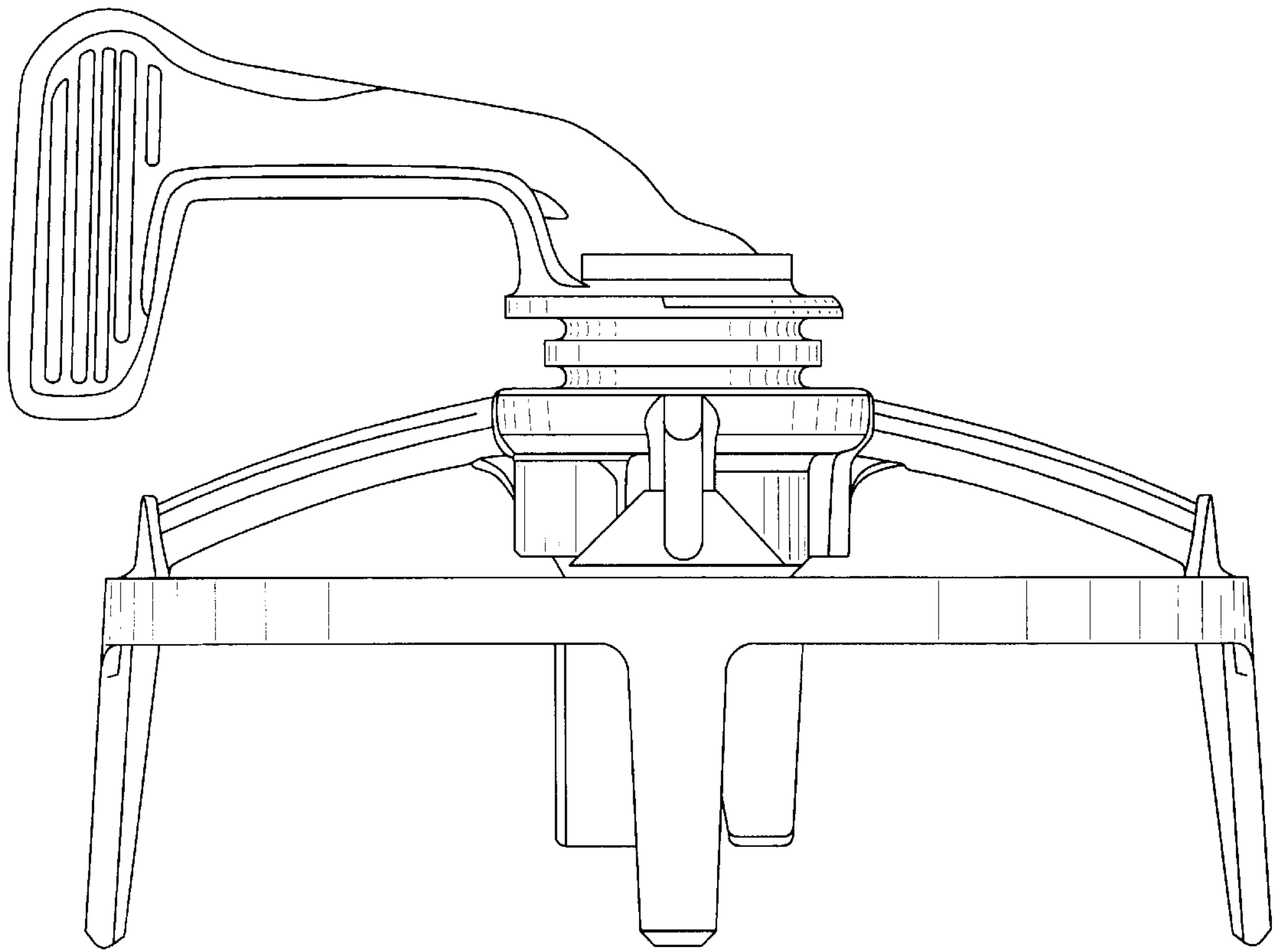


FIG. 4

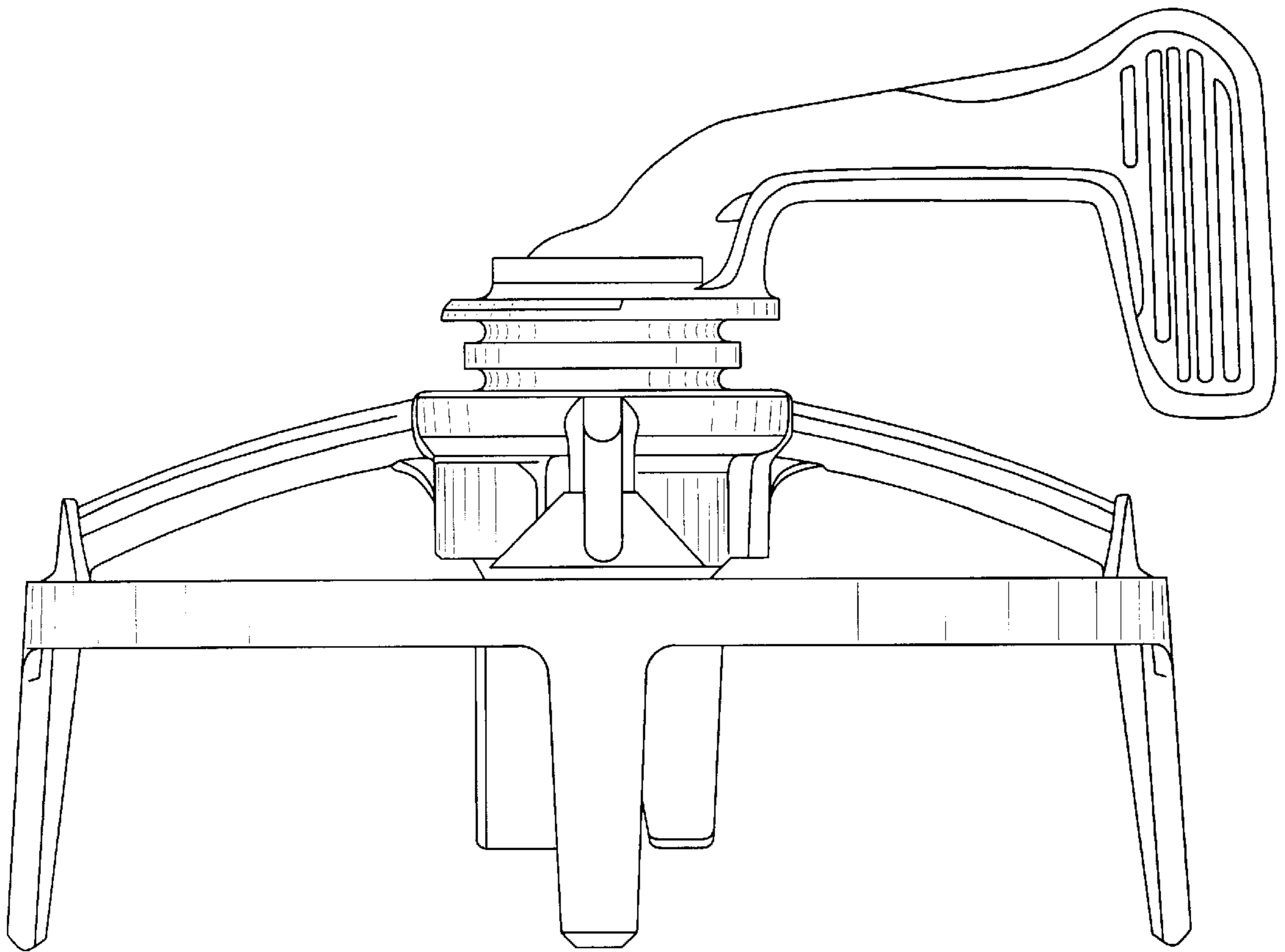


FIG. 5