



US00D421541S

# United States Patent [19] Zaidman

[11] **Patent Number: Des. 421,541**  
[45] **Date of Patent: \*\* Mar. 14, 2000**

[54] **HEADBOARD/FOOTBOARD**

[75] Inventor: **S. Paul Zaidman**, Winnipeg, Canada

[73] Assignee: **Palliser Furniture, Ltd.**, Winnipeg, Canada

[\*\*] Term: **14 Years**

[21] Appl. No.: **29/091,584**

[22] Filed: **Jul. 31, 1998**

[51] **LOC (6) Cl.** ..... **06-06**

[52] **U.S. Cl.** ..... **D6/505**

[58] **Field of Search** ..... D6/382-383, 388-395, D6/505-508; 5/53.1, 279.1, 280, 281, 907

[56] **References Cited**

**U.S. PATENT DOCUMENTS**

D. 327,995	7/1992	Brunner et al. .	
D. 378,640	4/1997	Yeh .....	D6/505
D. 391,427	3/1998	Yeh .....	D6/505
D. 393,551	4/1998	Draheim .	
D. 400,033	10/1998	Zaidman .....	D6/505

**OTHER PUBLICATIONS**

Photographs—Series 552-E—Juvenile Bedroom by Palliser Furniture Ltd. (Mar. 1988).

Photograph—Series 524-A—Master Bedroom by Palliser Furniture Ltd. (Sep. 1991).

Photograph—Furniture believed published by Dorel Industries, Inc. (prior to Jul. 31, 1997).

*Primary Examiner*—Janice E. Seeger

*Attorney, Agent, or Firm*—Senniger, Powers, Leavitt & Roedel

[57] **CLAIM**

The ornamental design for a headboard/footboard, as shown and described.

**DESCRIPTION**

FIG. 1 is a right hand side perspective view of a headboard/footboard of my new design the left hand side being a mirror image thereof;

FIG. 2 is a front view thereof;

FIG. 3 is a side view thereof the opposite side being a mirror image thereof;

FIG. 4 is a cross-sectional view at IV-IV of FIG. 2;

FIG. 5 is a cross-sectional view at V-V of FIG. 2;

FIG. 6 is a rear view of FIG. 1;

FIG. 7 is a right hand side perspective view of a footboard of the headboard/footboard of my new design, the left hand side being a mirror image thereof;

FIG. 8 is a front view thereof;

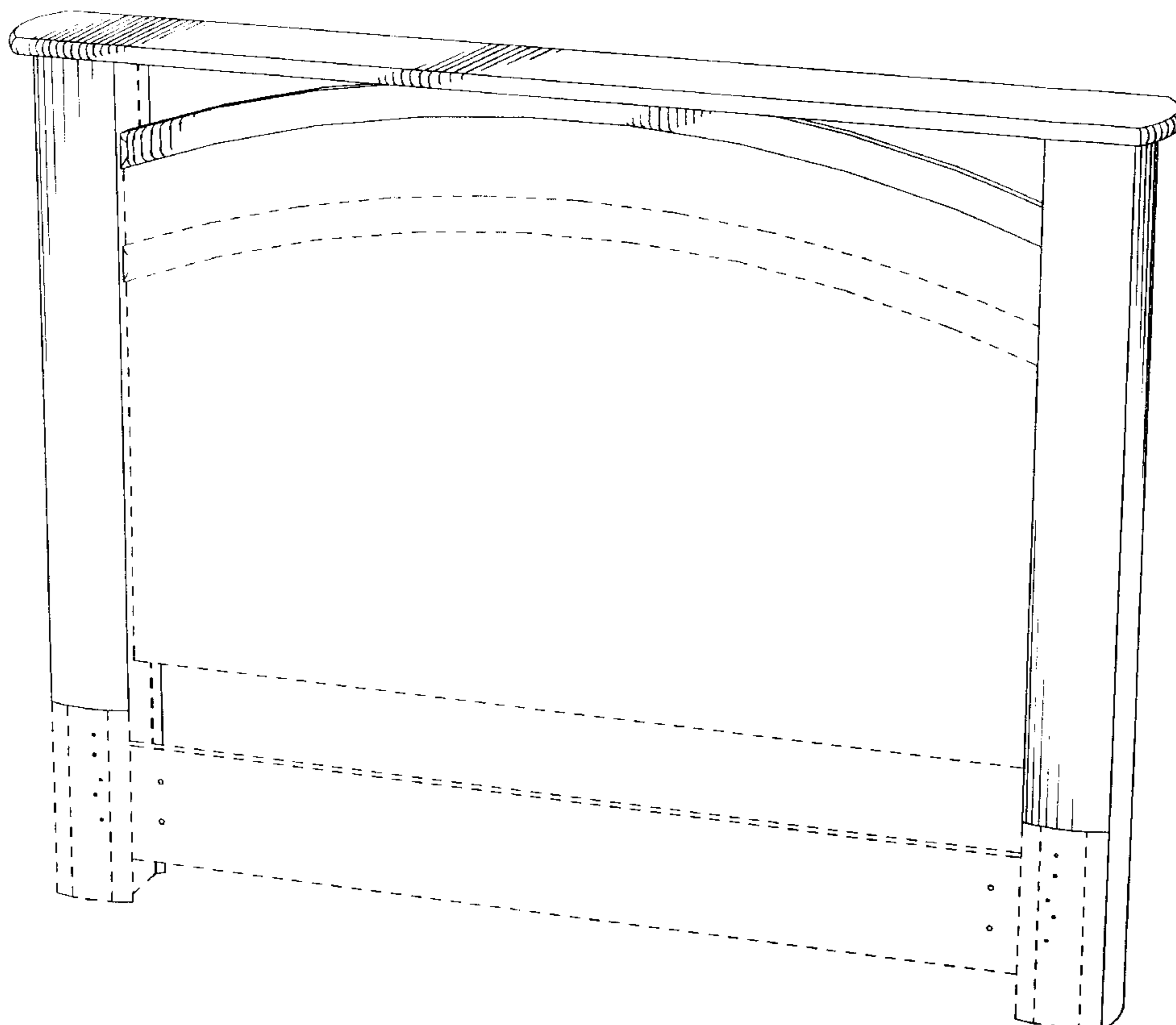
FIG. 9 is a side view thereof the opposite side being a mirror image thereof;

FIG. 10 is a cross-sectional view at X-X of FIG. 8;

FIG. 11 is a cross-sectional view at XI-XI of FIG. 9; and,

FIG. 12 is a rear view of FIG. 7.

**1 Claim, 6 Drawing Sheets**



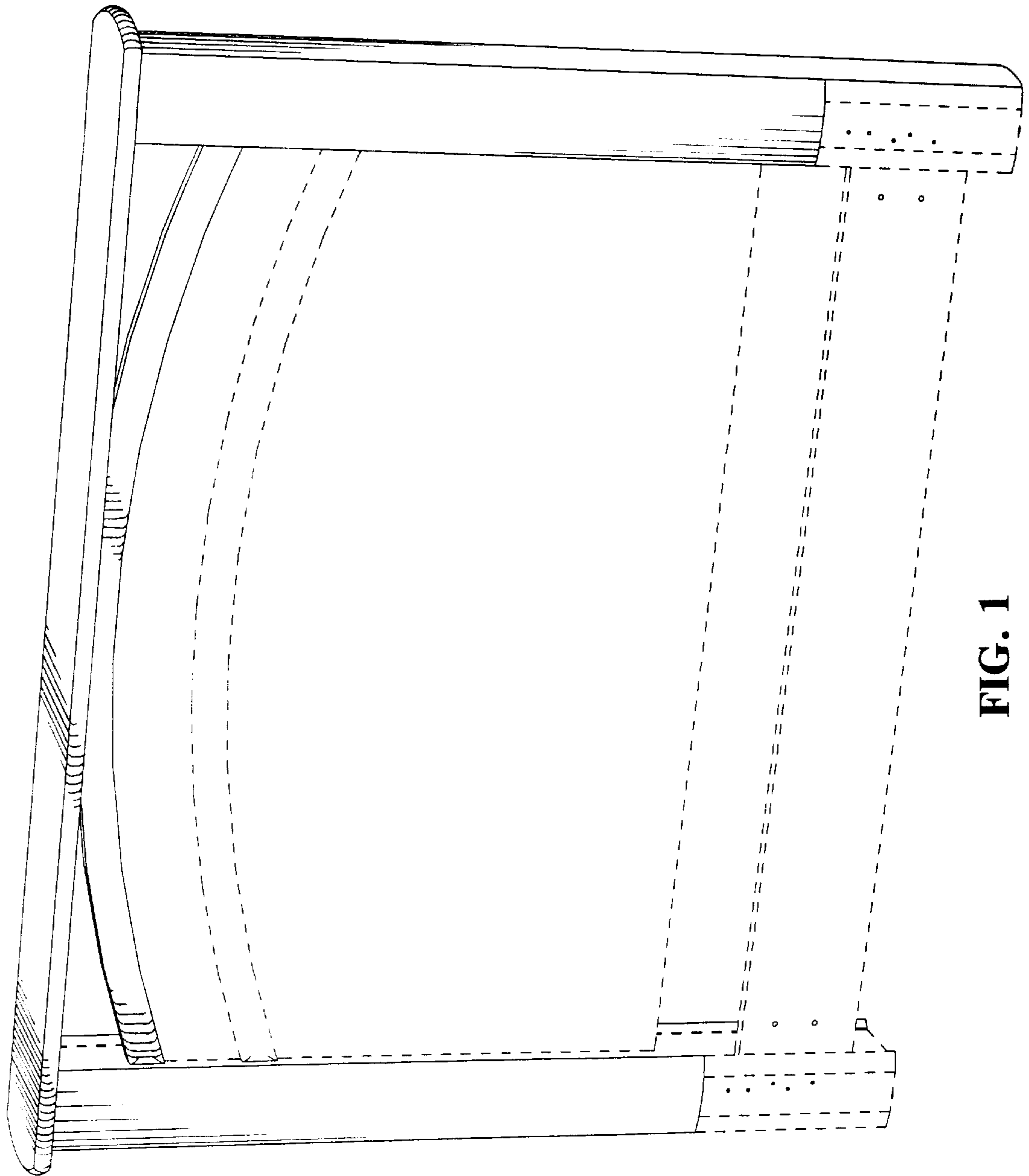


FIG. 1

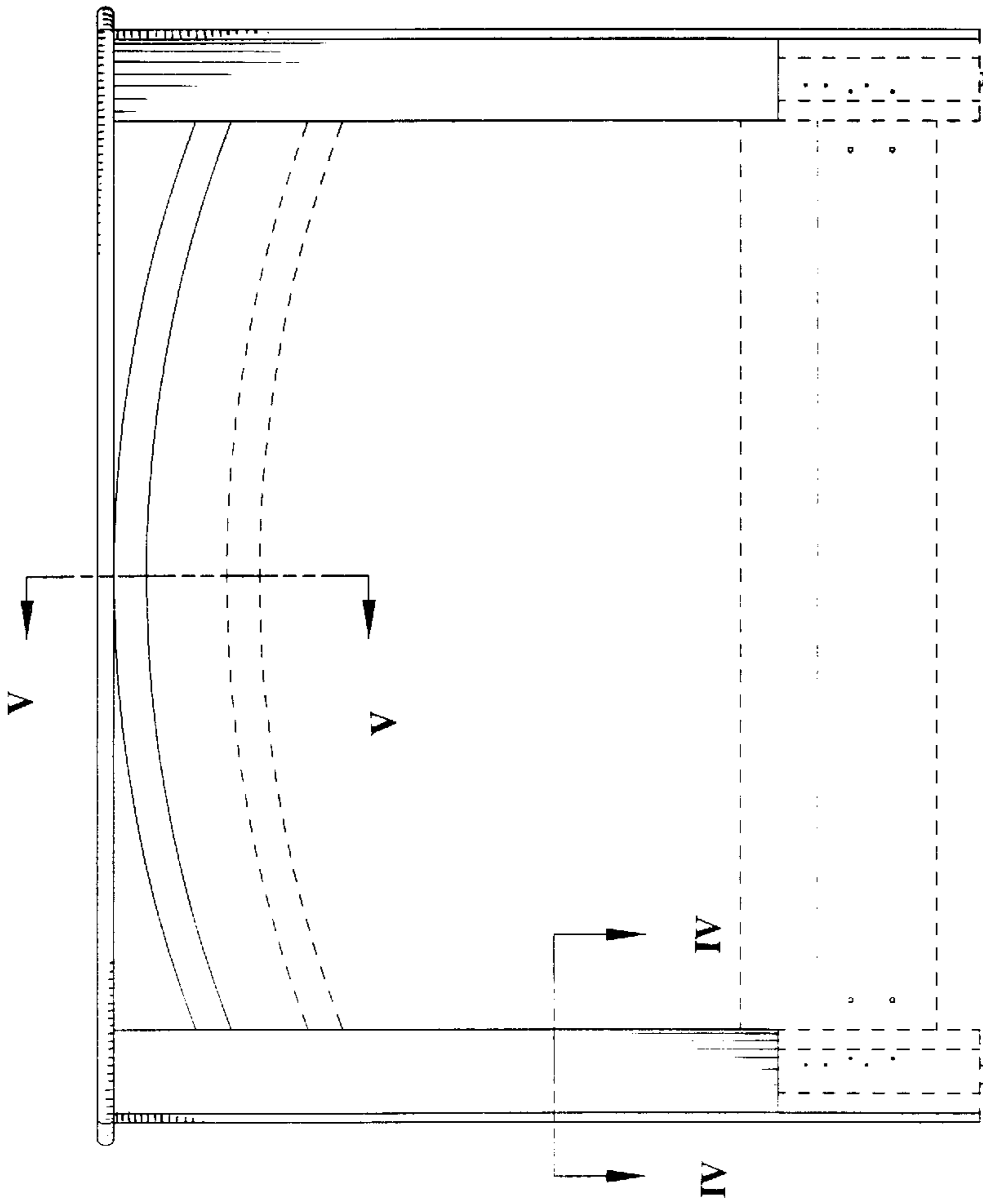


FIG. 2

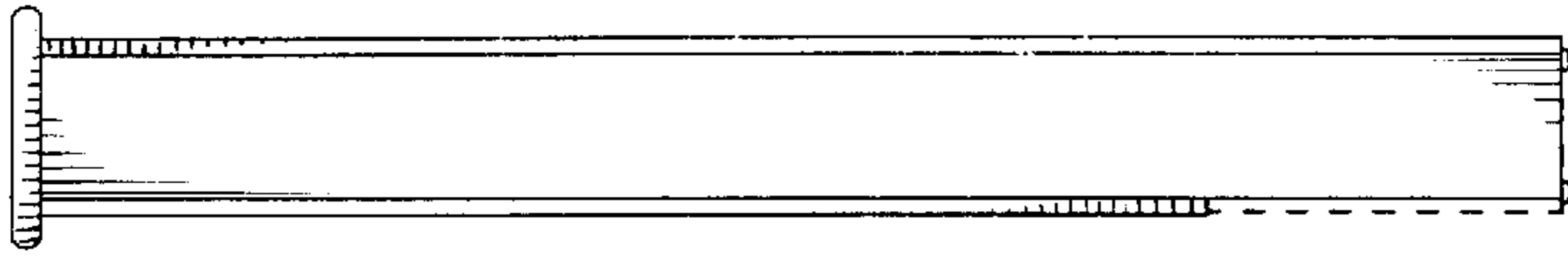


FIG. 3

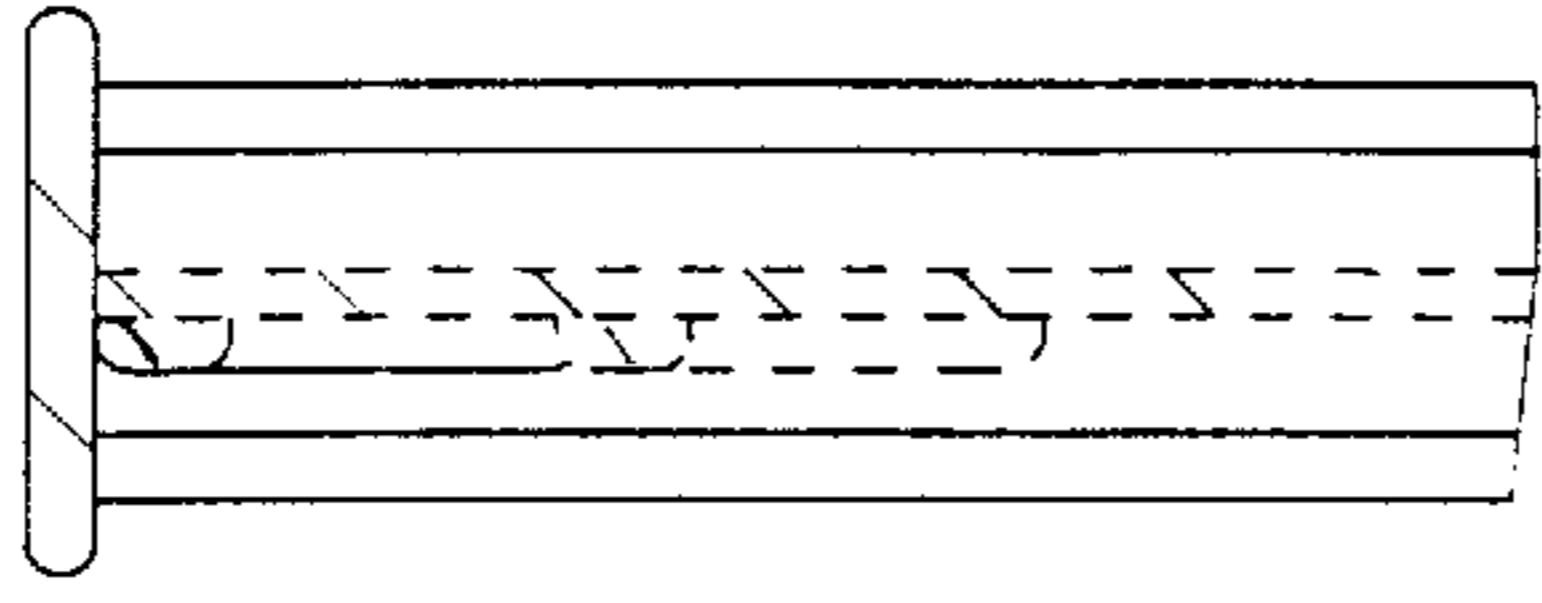


FIG. 5



FIG. 4

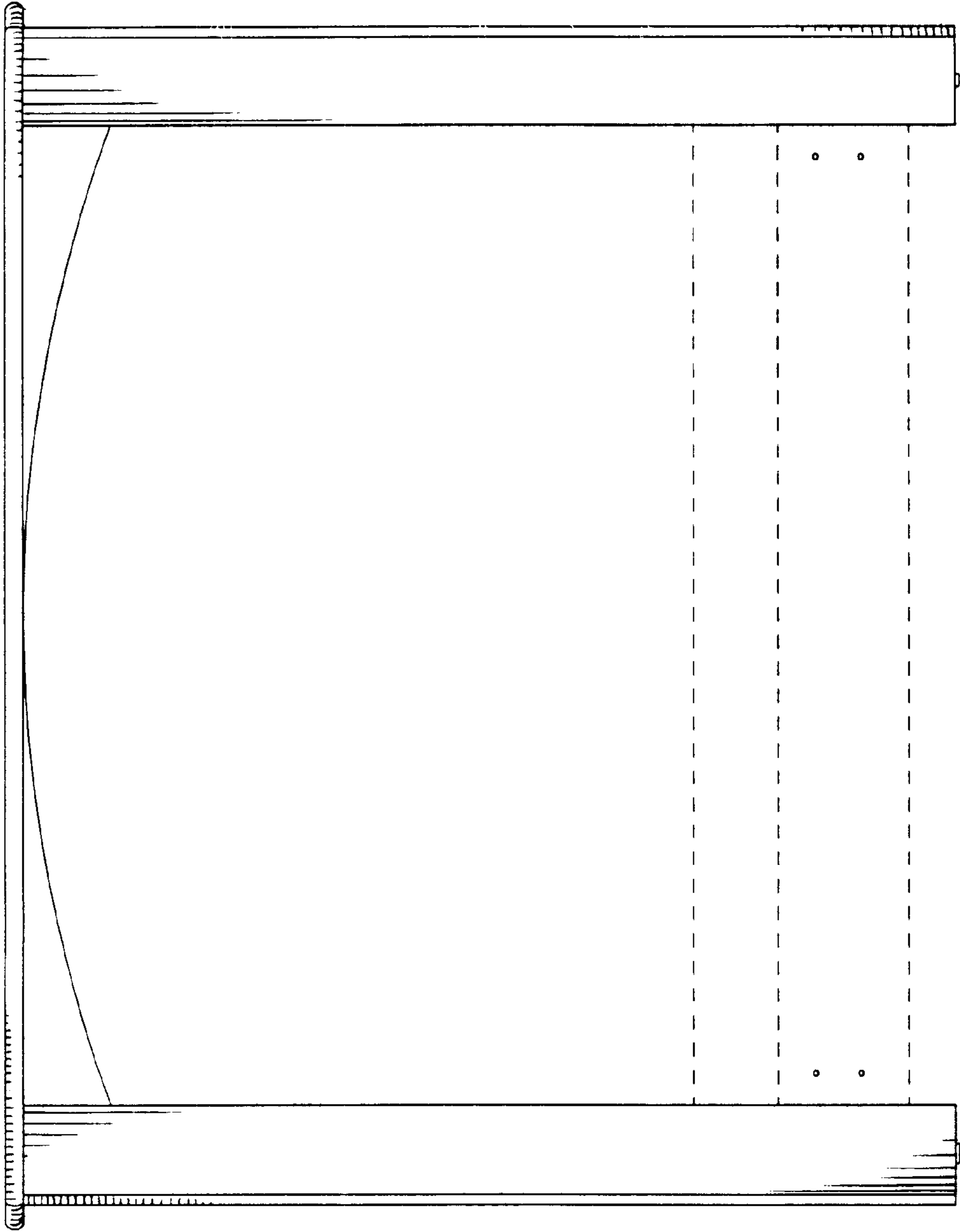


FIG. 6

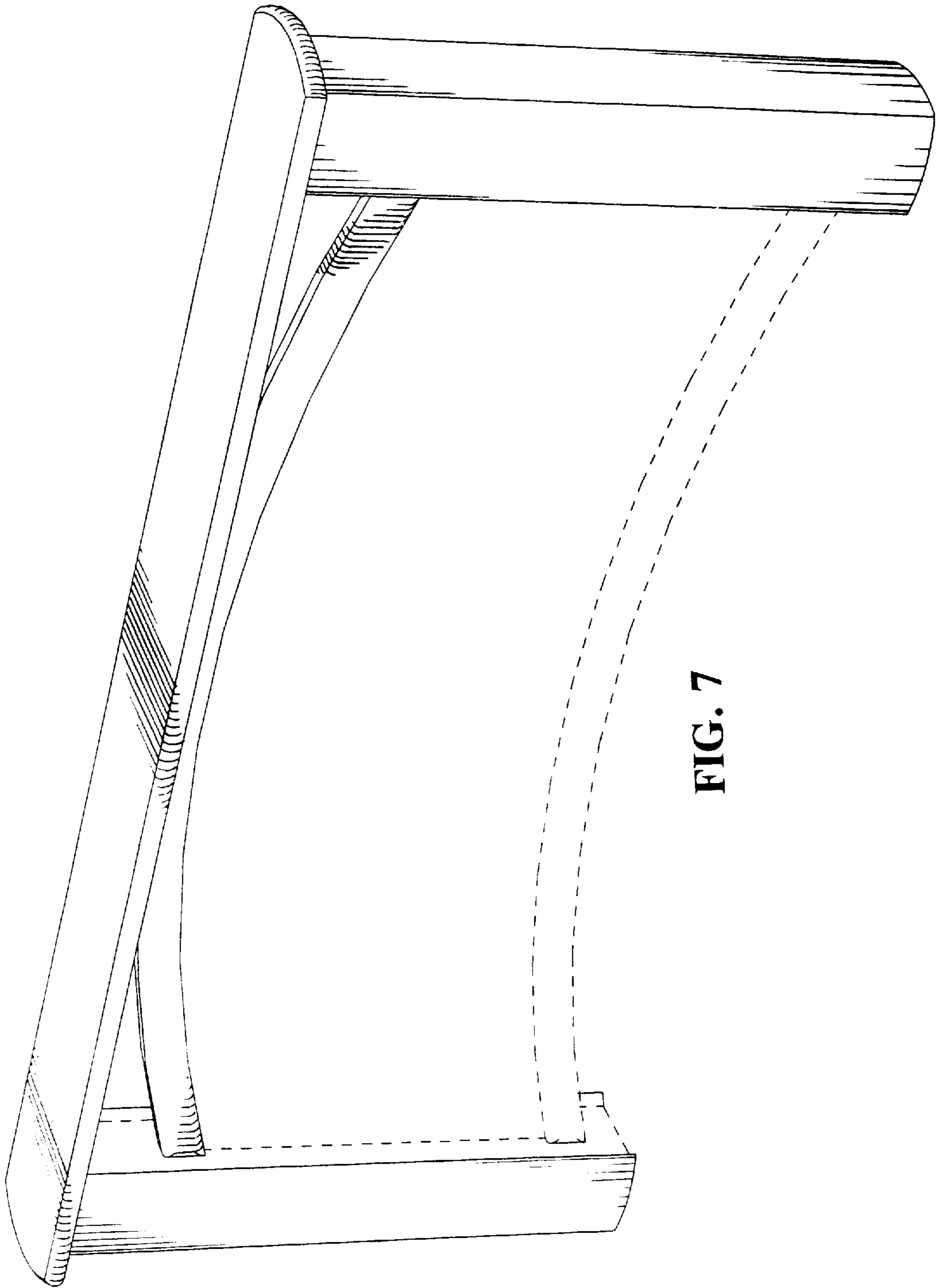


FIG. 7

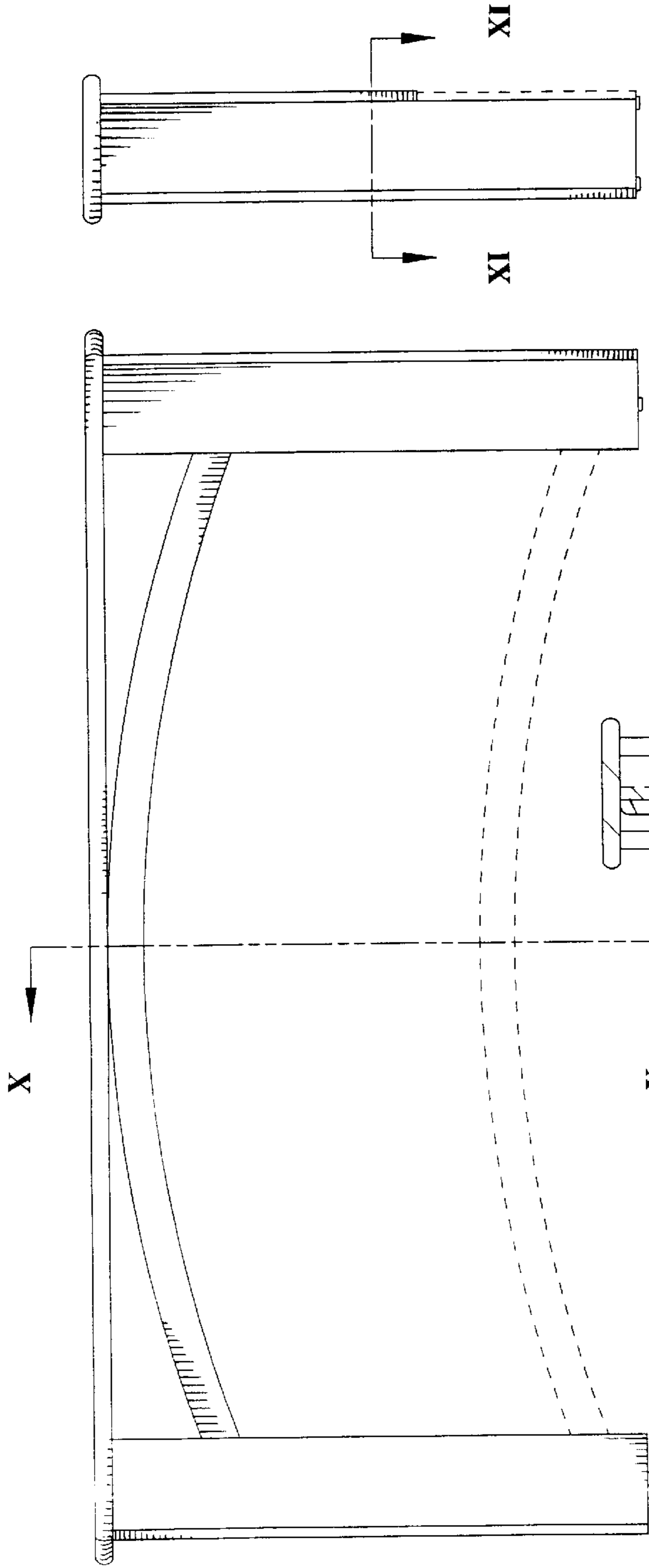


FIG. 8

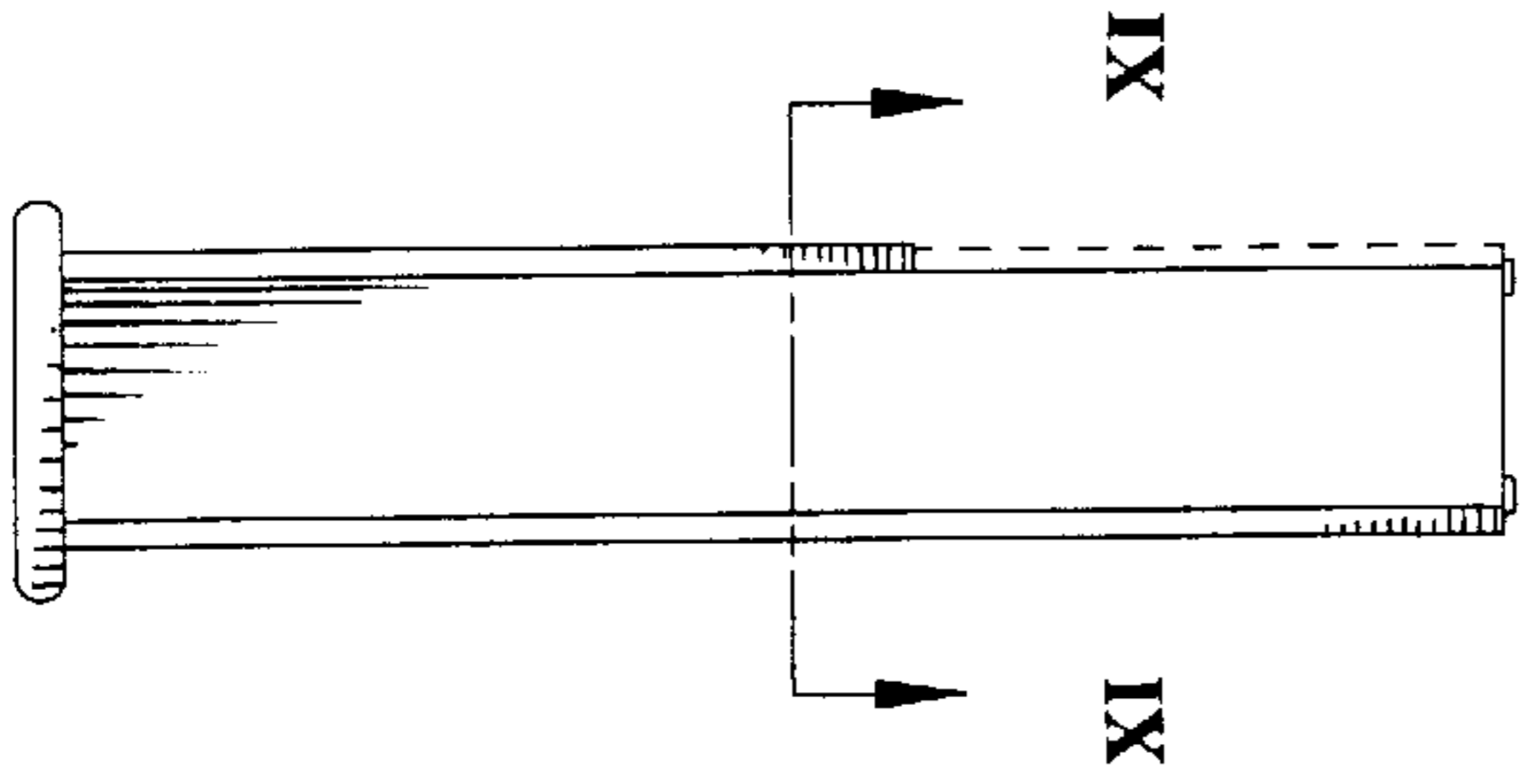


FIG. 9

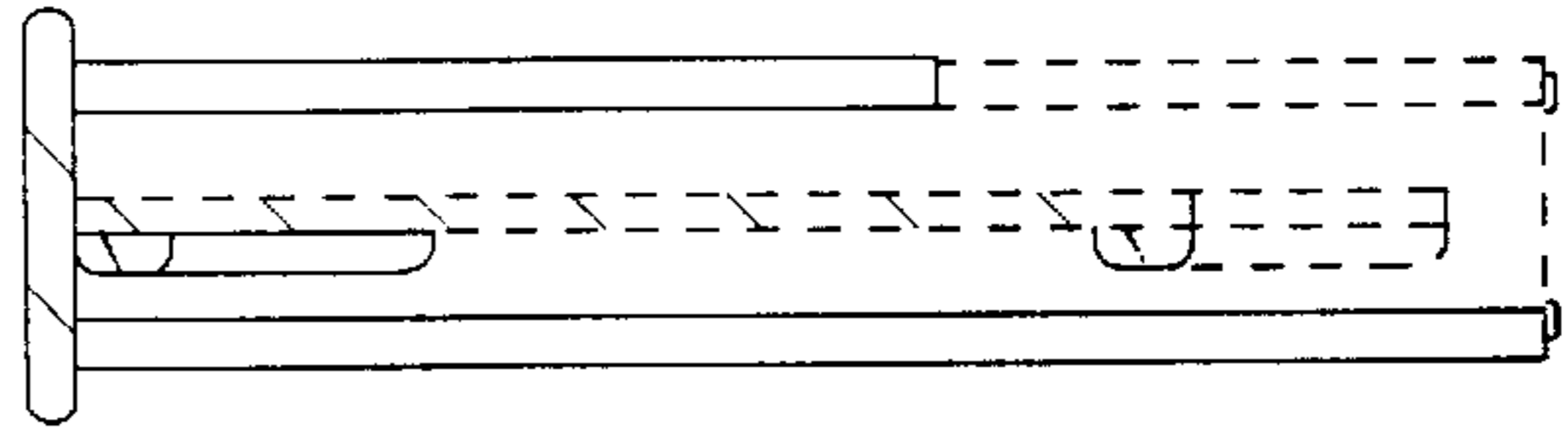


FIG. 10

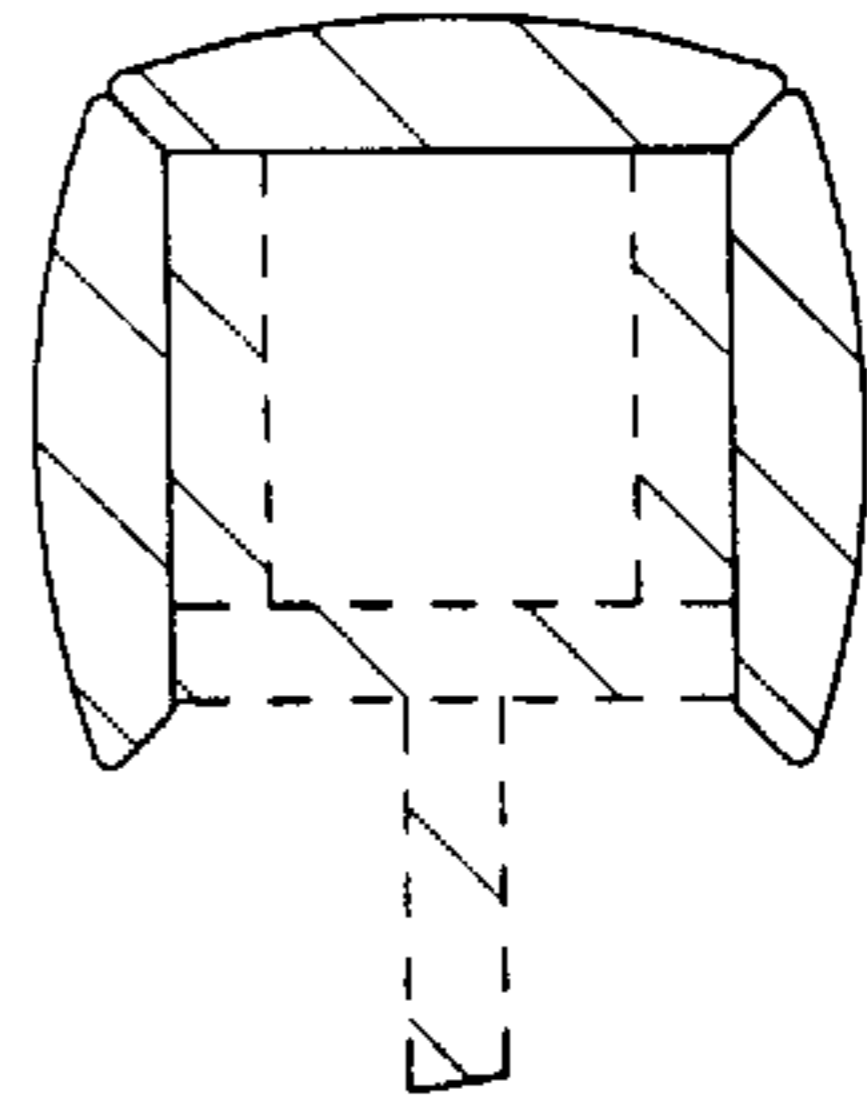


FIG. 11

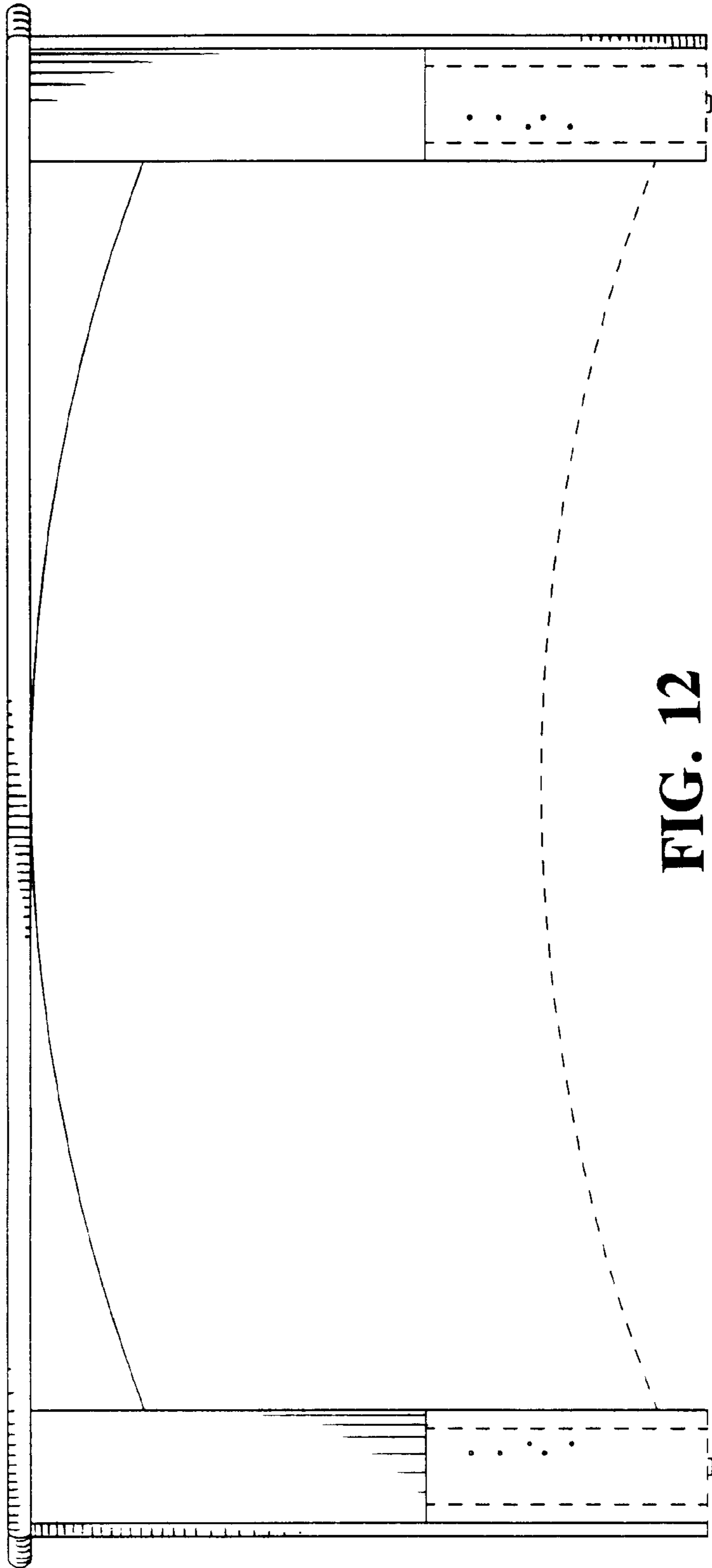


FIG. 12