



US00D421540S

United States Patent [19]
Jenkins et al.

[11] **Patent Number: Des. 421,540**
[45] **Date of Patent: ** Mar. 14, 2000**

[54] **CHAIR BACK**

[75] Inventors: **David C. Jenkins; Arnold B. Dammermann**, both of Grand Rapids, Mich.; **Markus P. Diebel**, San Francisco, Calif.; **Gardner J. Klaasen, II**, Ada, Mich.; **John P. Stoddard**, London, United Kingdom; **David S. Teppo**, East Grand Rapids, Mich.

[73] Assignee: **Steelcase Inc.**, Grand Rapids, Mich.

[**] Term: **14 Years**

[21] Appl. No.: **29/102,922**

[22] Filed: **Apr. 2, 1999**

Related U.S. Application Data

[63] Continuation of application No. 29/078,365, Oct. 24, 1997, Pat. No. Des. 414,349.

[51] **LOC (6) Cl.** **06-06**

[52] **U.S. Cl.** **D6/502; D6/366**

[58] **Field of Search** D6/334, 364, 365, D6/366, 367, 500, 501, 502; 297/411.2, 411.35, 411.36

[56] **References Cited**

U.S. PATENT DOCUMENTS

D. 272,204	1/1984	DeBoer	D6/366
D. 277,143	1/1985	Helmholdt	.	
D. 279,155	6/1985	Aronowitz et al.	.	
D. 292,655	11/1987	Hendrick	.	
D. 309,384	7/1990	Buhk	D6/366
D. 320,507	10/1991	Shields	.	
D. 328,199	7/1992	Citterio	D6/366
D. 330,478	10/1992	Wogoman et al.	D6/500
D. 339,927	10/1993	Fahnstrom et al.	.	
D. 343,740	2/1994	Ginat	.	
D. 345,259	3/1994	Narita	.	
D. 346,279	4/1994	Stumpf et al.	.	
D. 349,621	8/1994	Wilson	.	
D. 351,070	10/1994	Scheper et al.	D6/366
D. 352,181	11/1994	Ivicevi	.	
D. 358,063	5/1995	Larkin	.	
D. 362,947	10/1995	Olson et al.	.	

D. 362,973	10/1995	Schultz	.	
D. 365,453	12/1995	Newhouse	.	
D. 371,683	7/1996	Tolleson et al.	D6/366
D. 380,110	6/1997	Tortel	.	
D. 390,712	2/1998	Koepke et al.	D6/366
D. 391,791	3/1998	Smith	D6/500
D. 393,755	4/1998	Nemeth, Jr.	D6/366
D. 398,163	9/1998	Desanta	D6/366
4,451,085	5/1984	Franck et al.	.	
4,509,793	4/1985	Wiesmann et al.	.	
4,529,247	7/1985	Stumpf et al.	.	
4,861,108	8/1989	Acton et al.	.	
4,911,501	3/1990	Decker et al.	.	
5,382,079	1/1995	Wilson et al.	297/411.36
5,501,507	3/1996	Hummitzsch	.	
5,577,807	11/1996	Hodge et al.	.	
5,599,067	2/1997	Schuelke et al.	297/411.35
5,667,277	9/1997	Van De Riet	297/411.36

Primary Examiner—Gary D. Watson
Attorney, Agent, or Firm—Price, Heneveld, Cooper, DeWitt, & Litton

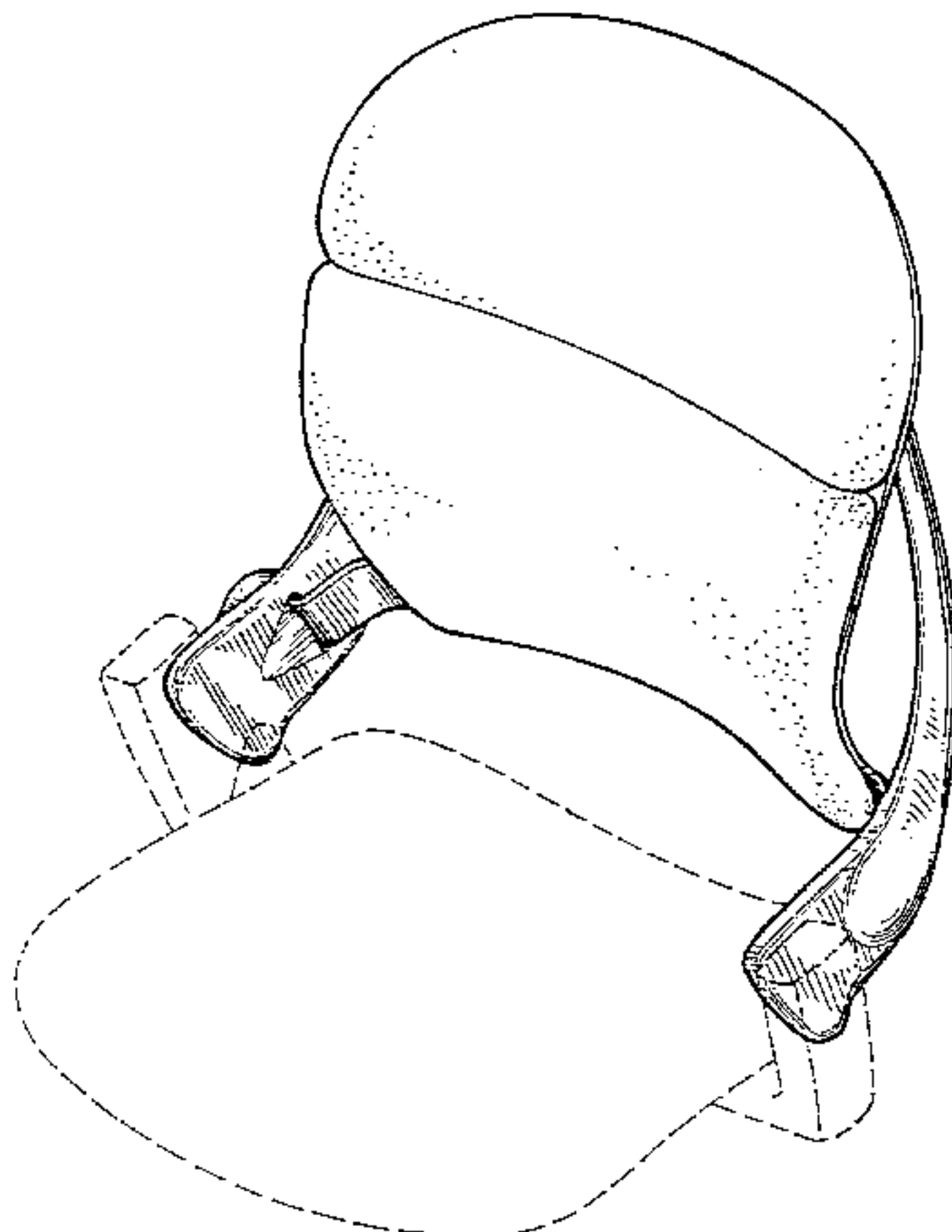
[57] **CLAIM**

We claim the ornamental design for a chair back, as shown and described.

DESCRIPTION

FIG. 1 is a front perspective view of our chair back design; FIG. 2 is a rear perspective view of the chair back design shown in FIG. 1; FIG. 3 is a left side perspective view of the chair back design shown in FIG. 1; FIG. 4 is a right side view of the chair back design shown in FIG. 1; FIG. 5 is a front view of the chair back design shown in FIG. 1; FIG. 6 is a left side view of the chair back design shown in FIG. 1; FIG. 7 is a rear view of the chair back design shown in FIG. 1; and, FIG. 8 is a top view of the chair back design shown in FIG. 1. The broken lines shown in FIG. 1 are for illustrative purposes only and form no part of the claimed design.

1 Claim, 4 Drawing Sheets



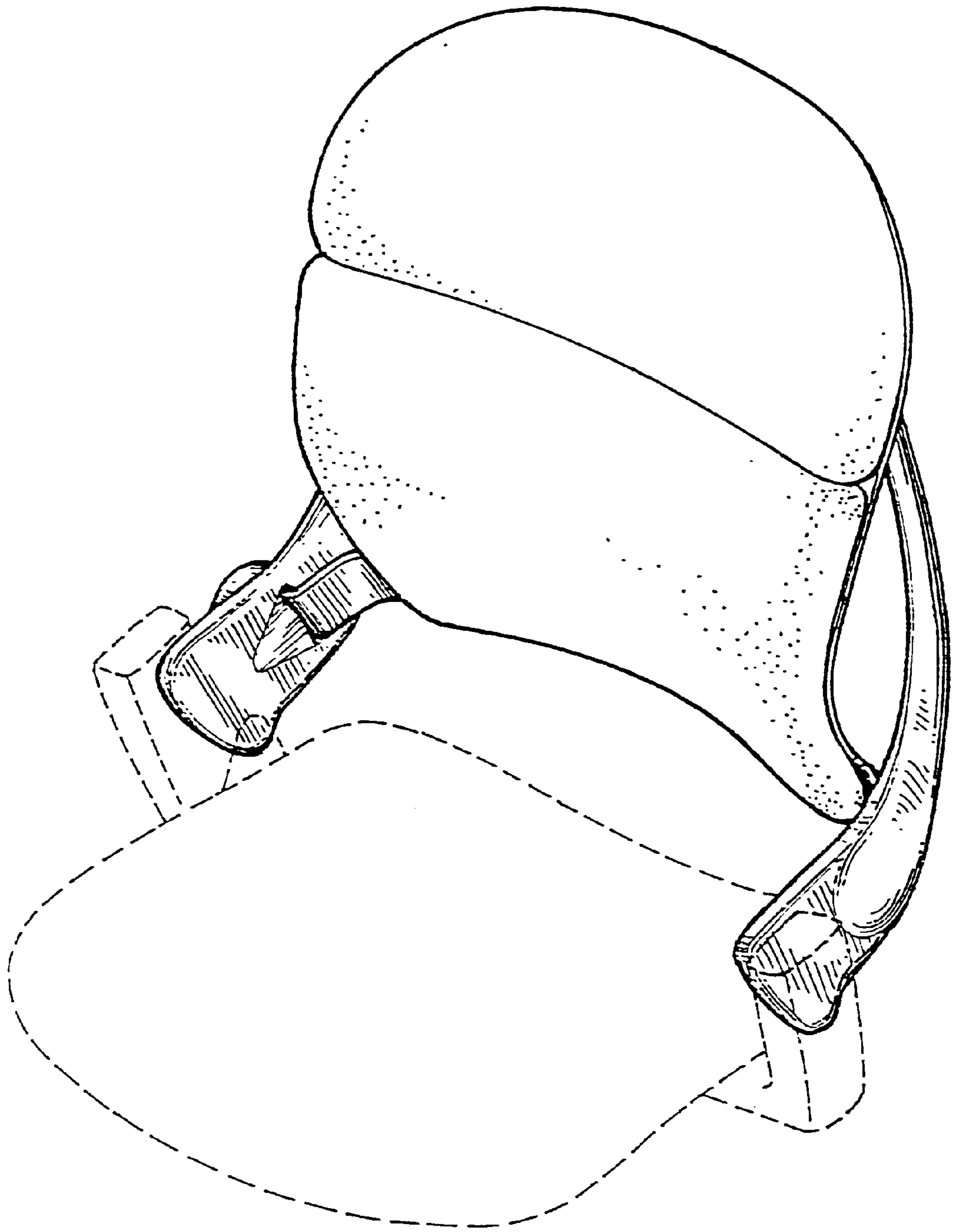


Fig. 1

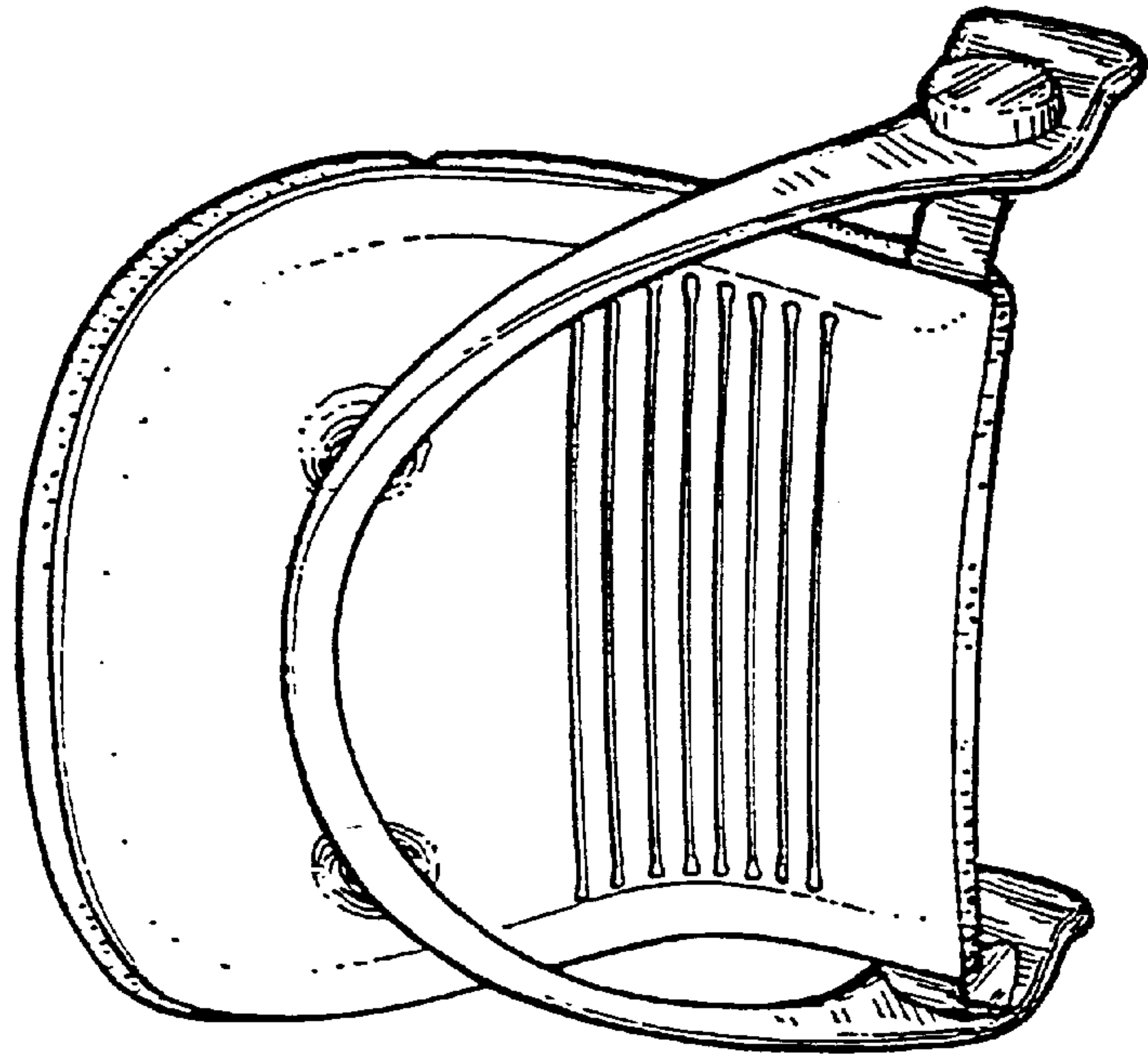


Fig. 2

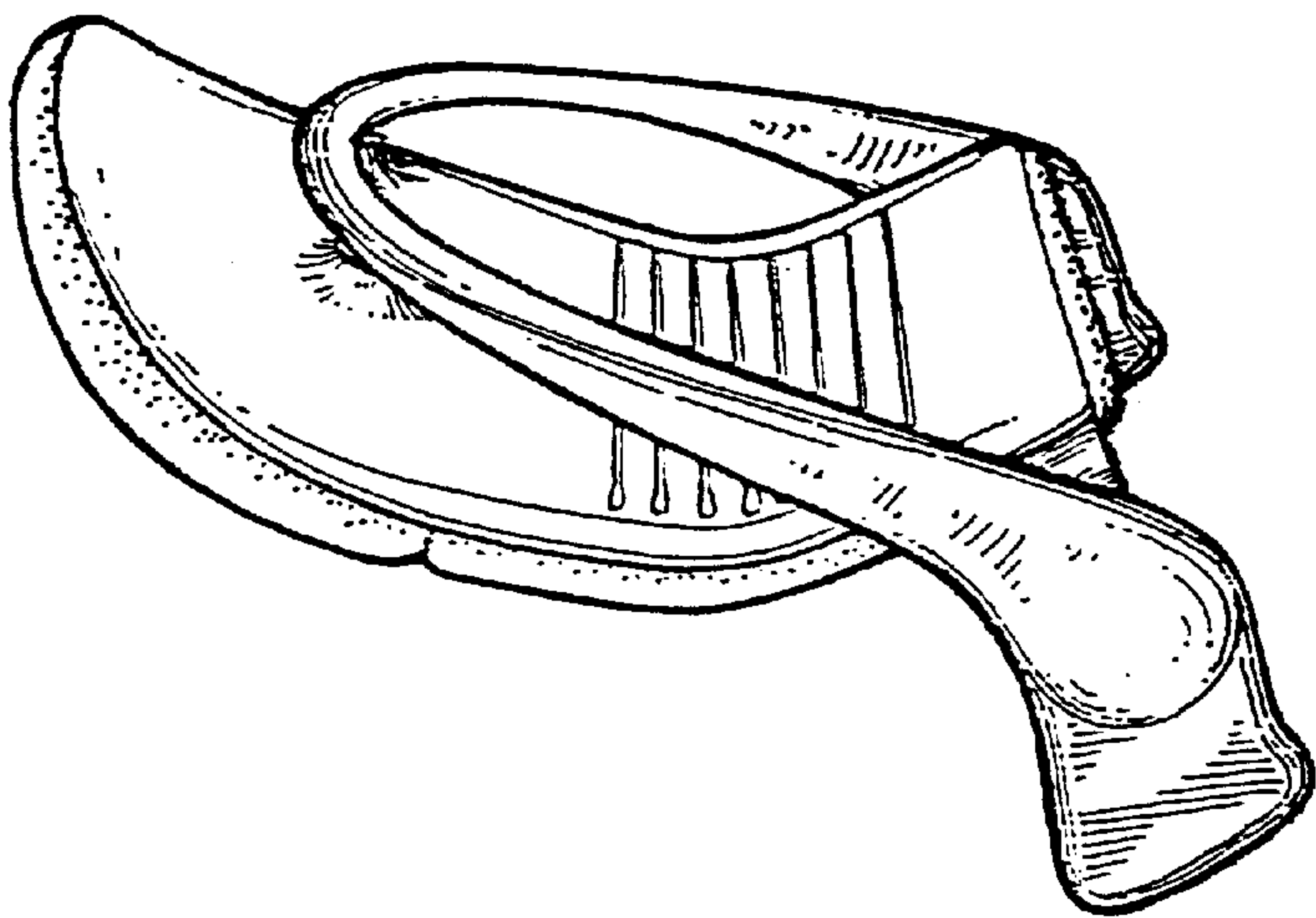


Fig. 3

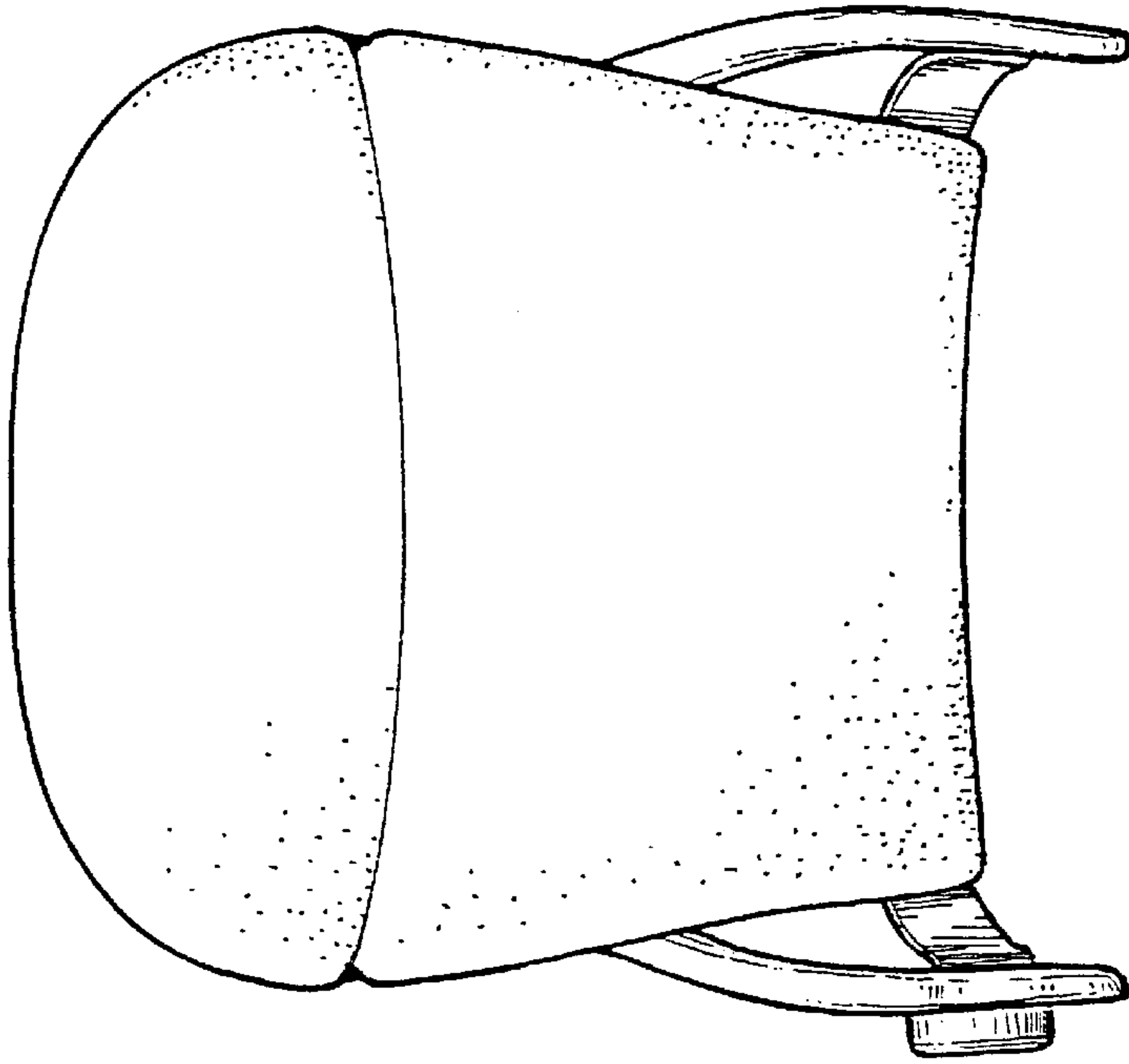


Fig. 5

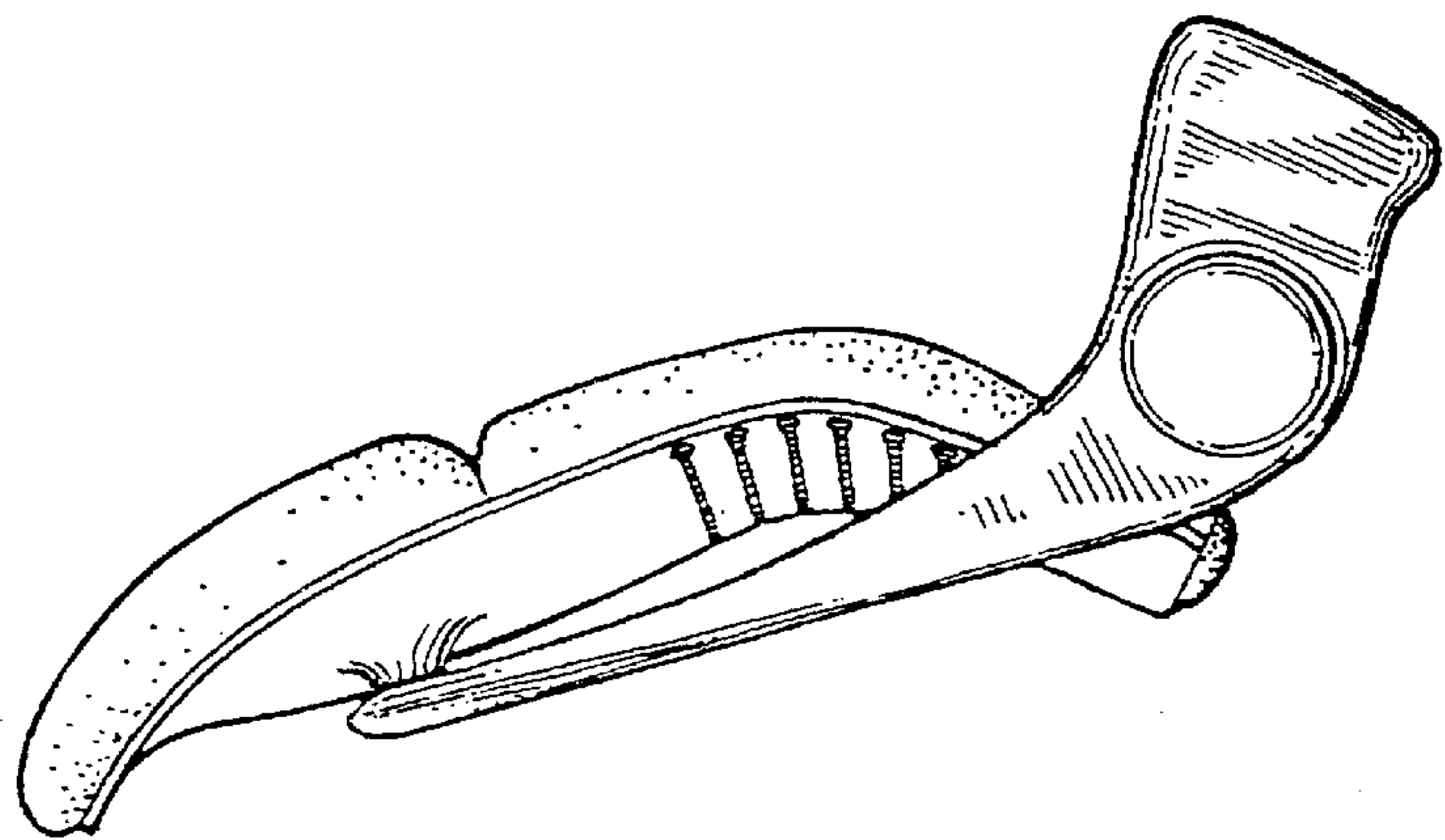


Fig. 4

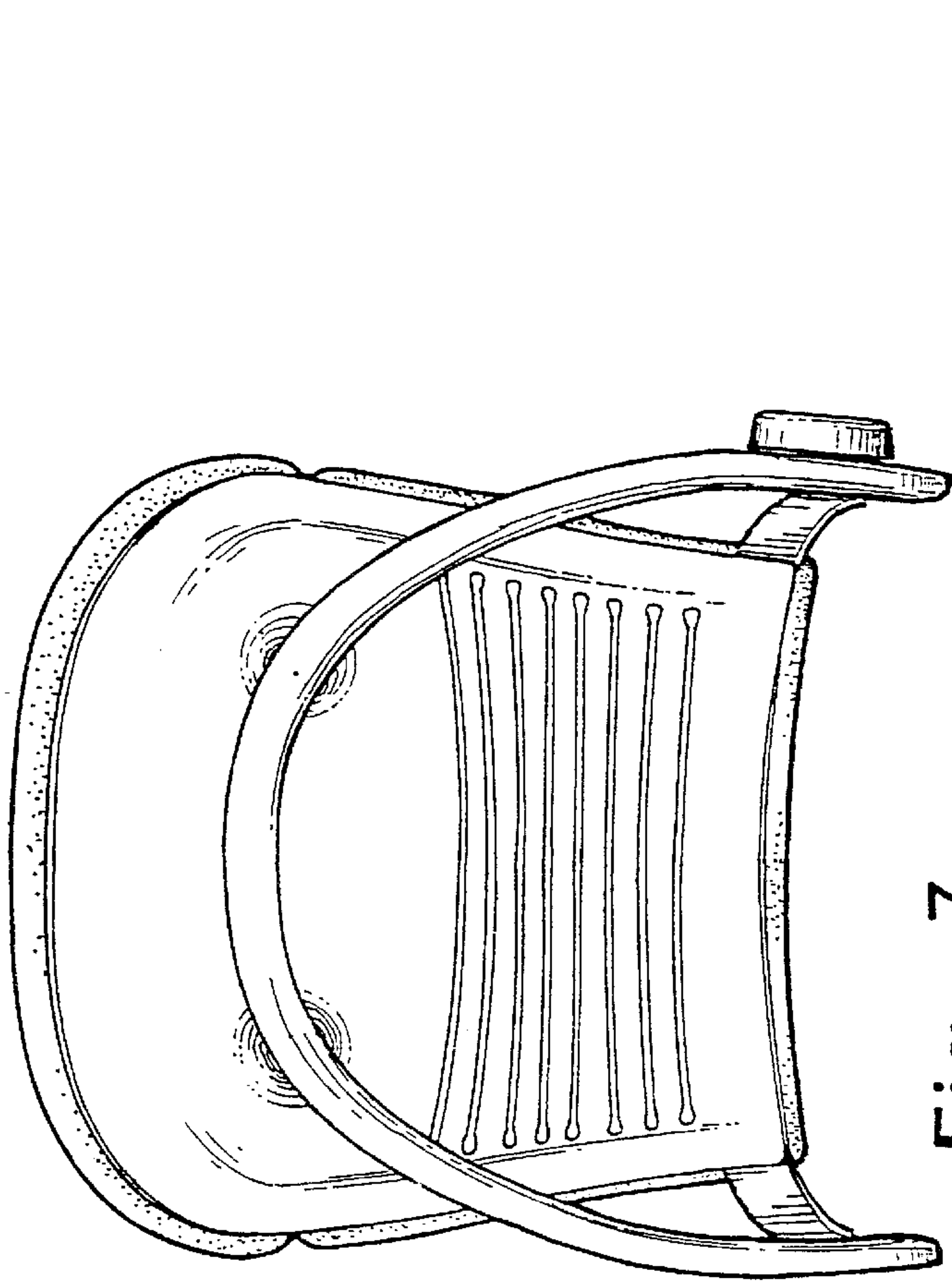


Fig. 7

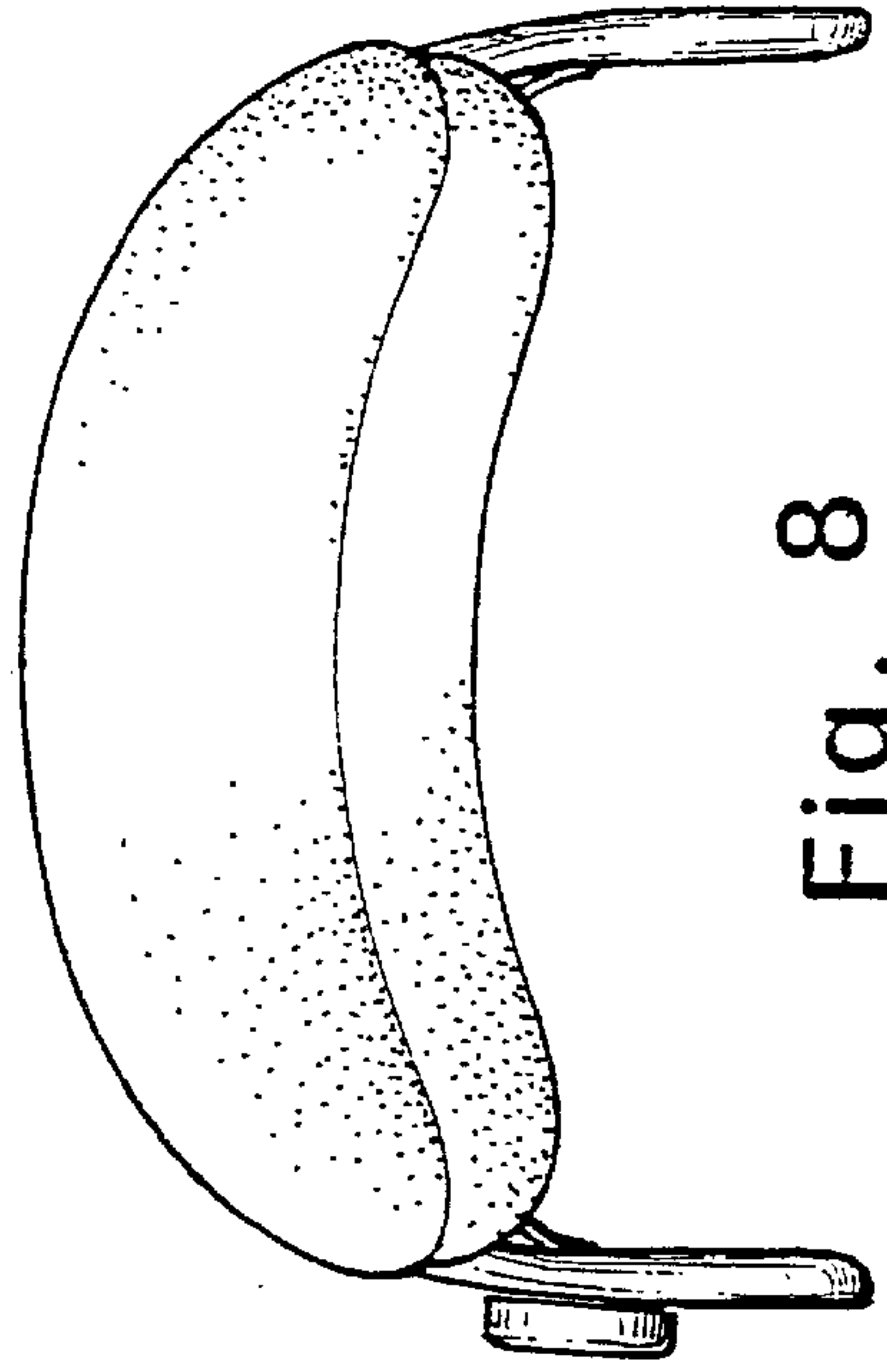


Fig. 8

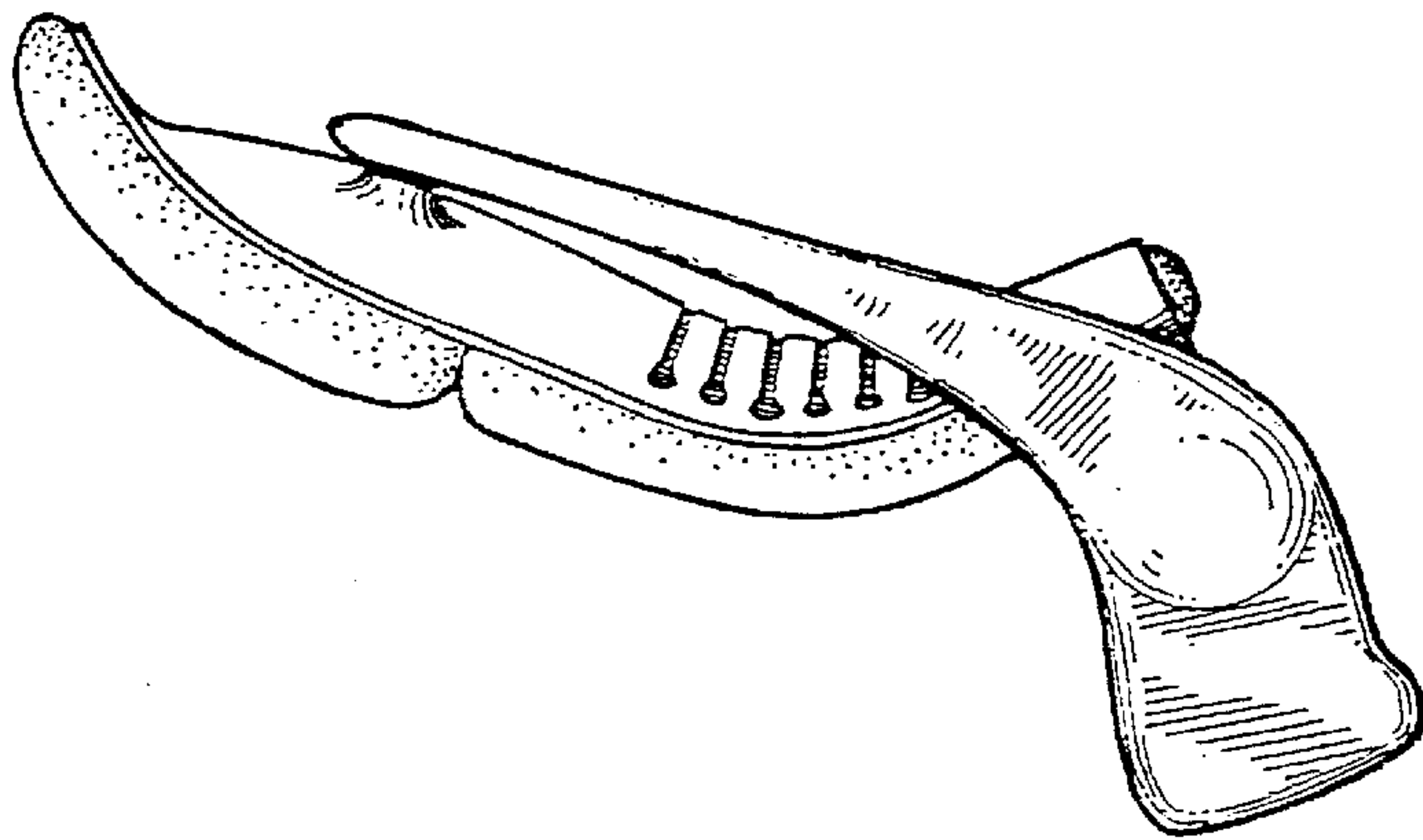


Fig. 6