



US00D421537S

United States Patent [19]
Neufeld

[11] **Patent Number: Des. 421,537**

[45] **Date of Patent: ** Mar. 14, 2000**

[54] **DOOR PANEL**

[75] Inventor: **Weldon John Neufeld**, Winnipeg, Canada

[73] Assignee: **Palliser Furniture Ltd.**, Canada

[**] Term: **14 Years**

[21] Appl. No.: **29/075,935**

[22] Filed: **Aug. 27, 1997**

[51] **LOC (6) Cl.** **06-06**

[52] **U.S. Cl.** **D6/492**

[58] **Field of Search** D6/432-448, 490-492, D6/495, 510, 511; 312/204, 330.1, 348.4

[56] **References Cited**

U.S. PATENT DOCUMENTS

D. 283,281	4/1986	Woodstra	D6/492
D. 288,760	3/1987	Rosario et al.	D6/492
D. 304,983	12/1989	Palka	D6/492
D. 357,147	4/1995	Keller	D6/492
D. 370,580	6/1996	Keller et al.	D6/492

OTHER PUBLICATIONS

Levitz, p. 2; armoire and pier door on bottom half of page, Apr. 1995.

The Hub, p. 10; armoire, dresser and pier door on top of page, Sep. 1996.

Primary Examiner—Carmen H. Vales-Lado
Attorney, Agent, or Firm—Michael Best & Friedrich LLP

[57] **CLAIM**

The ornamental design for a door panel, as shown and described.

DESCRIPTION

FIG. 1 is a front, left side perspective view of a door panel showing my new design, the right side being a mirror image thereof;

FIG. 2 is a front elevational view thereof;

FIG. 3 is a front, right side perspective view of a second embodiment of the door panel shown in FIG. 1, the left side being a mirror image thereof;

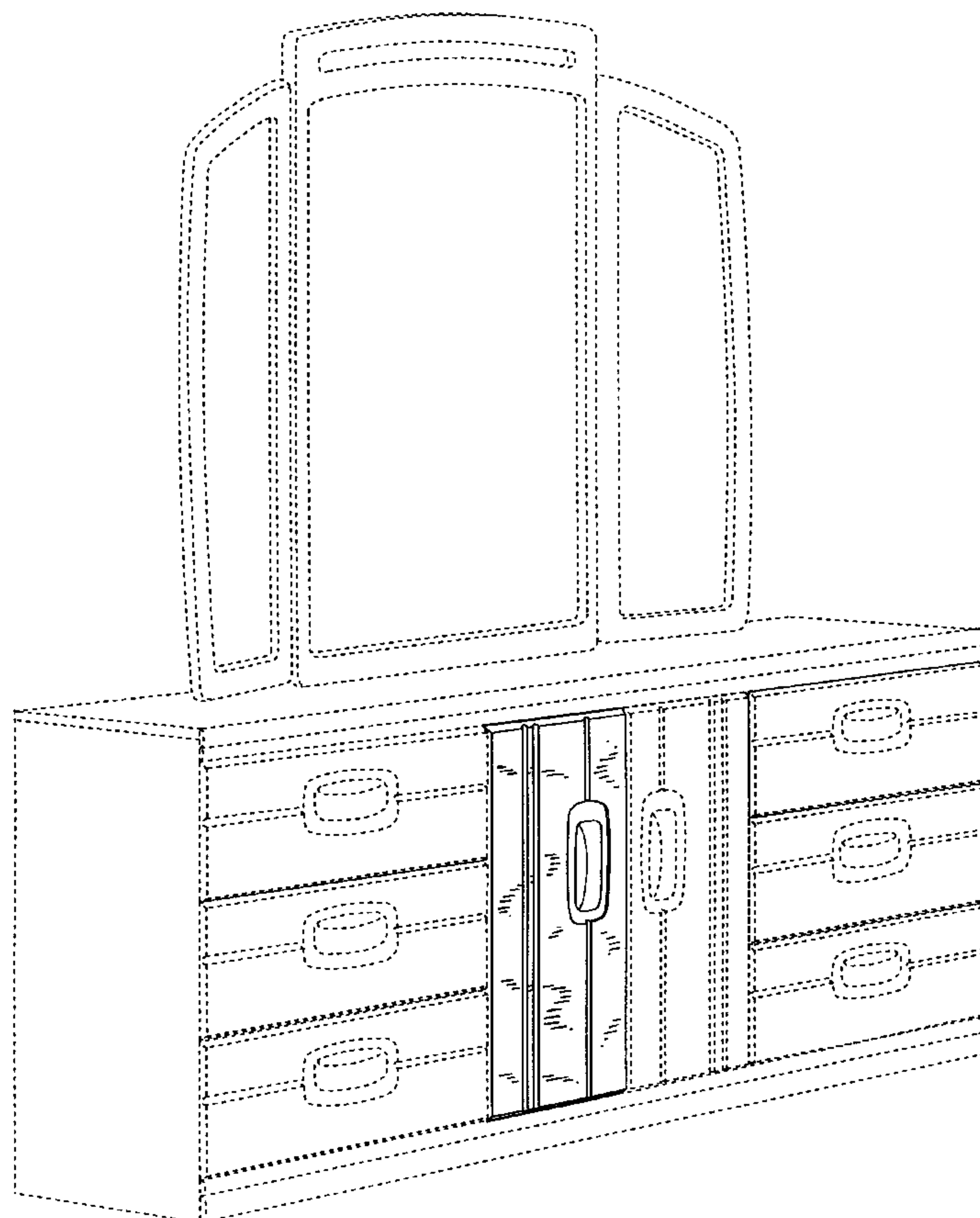
FIG. 4 is a front left side perspective view of a third embodiment of the door panel shown in FIG. 1, the right side being a mirror image thereof; and,

FIG. 5 is a front left side perspective view of a fourth embodiment of the door panel shown in FIG. 1, the right side being a mirror image thereof.

The broken lines shown throughout the views are for illustrative purposes only.

The surfaces or portions of the article not shown in the drawing or described in the specification form no part of the claimed design.

1 Claim, 5 Drawing Sheets



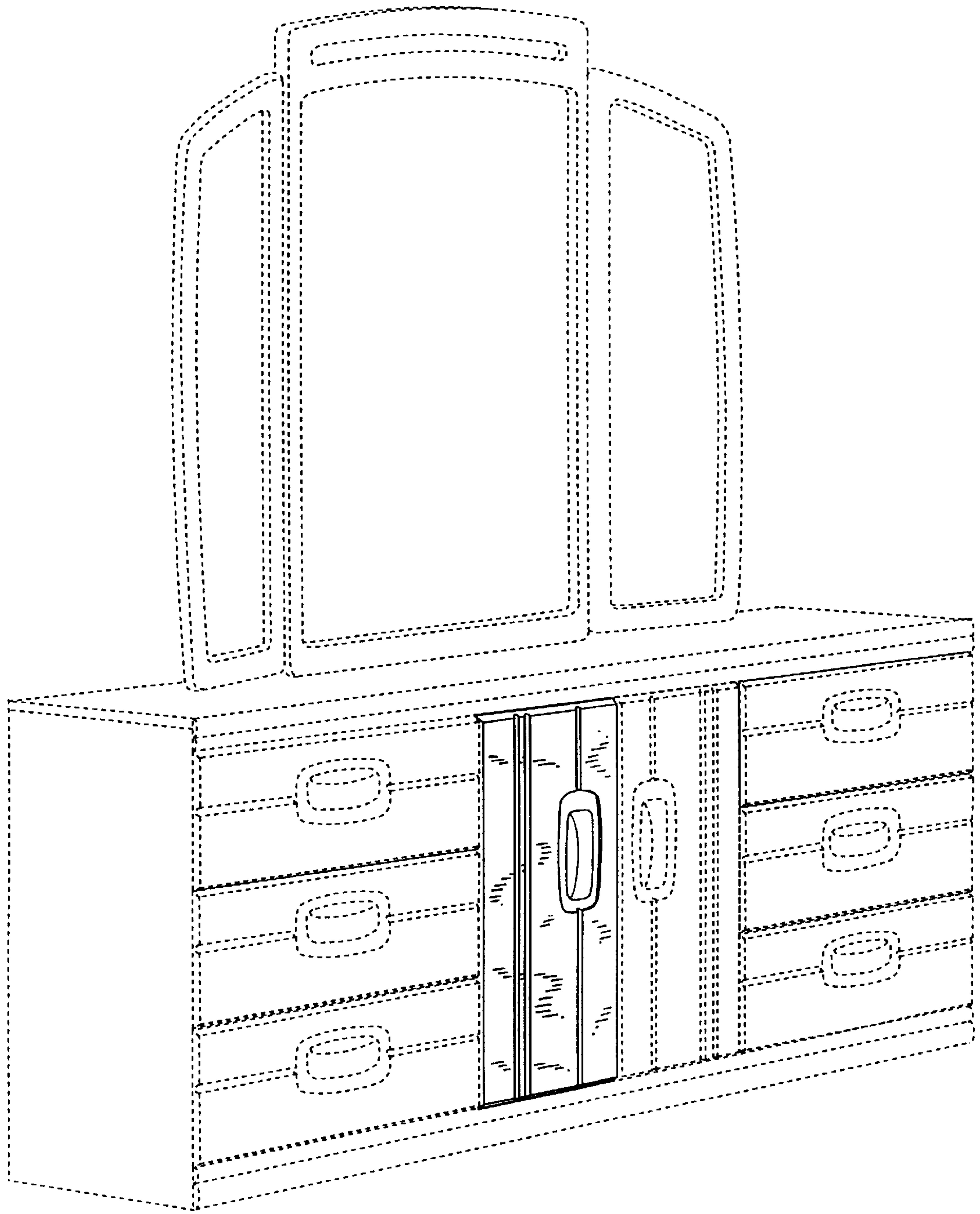


FIG. 1

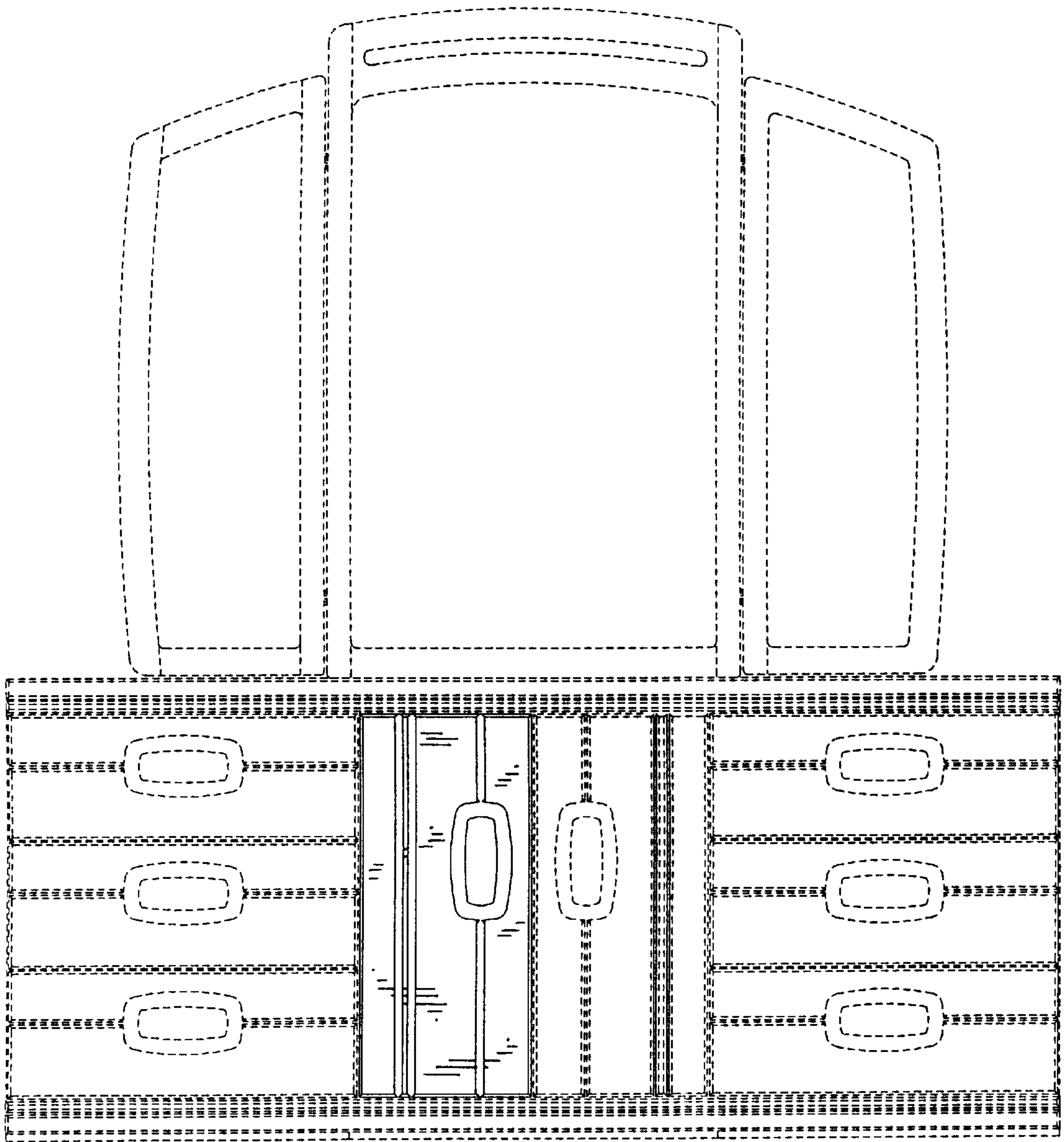


FIG. 2

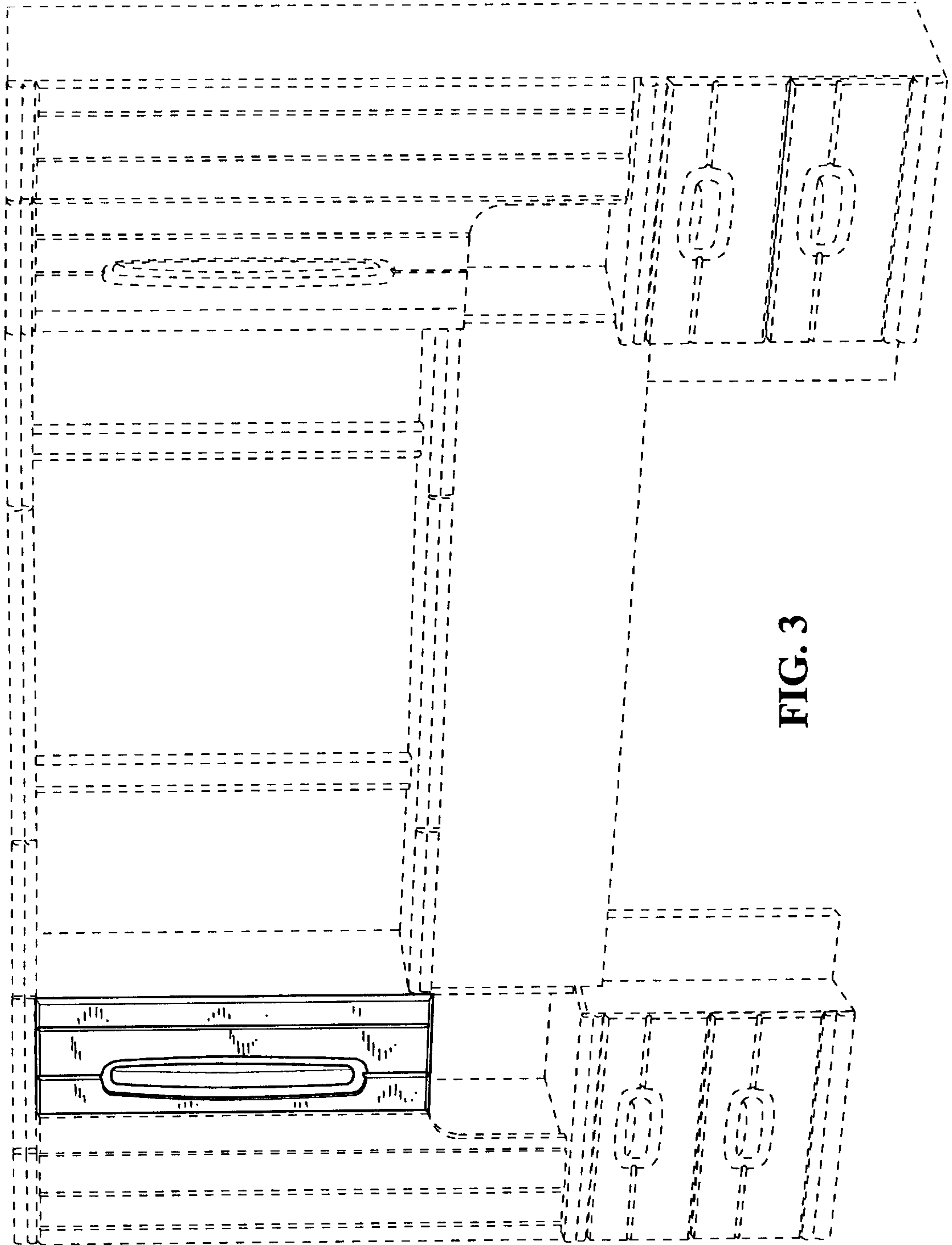


FIG. 3

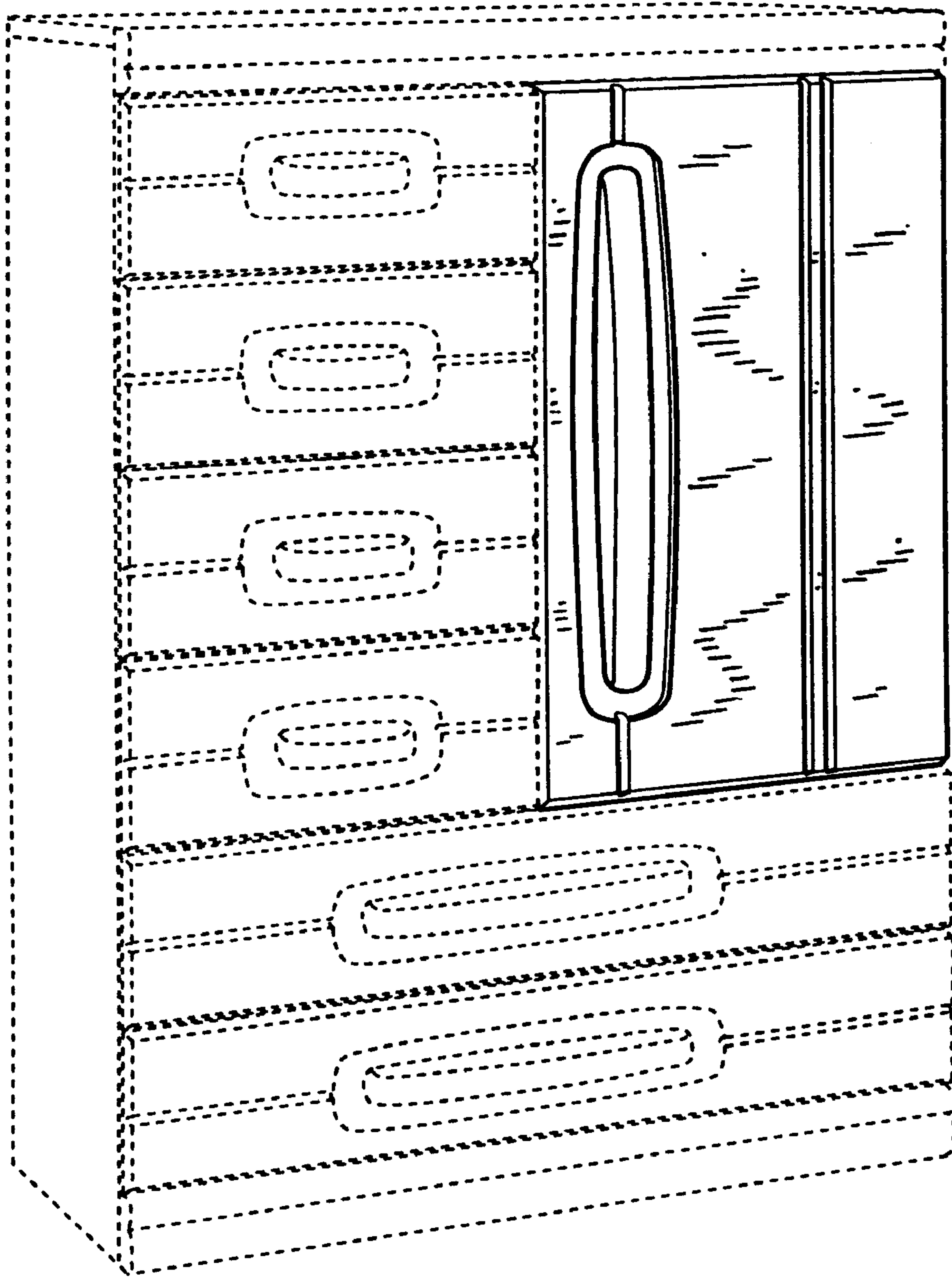


FIG. 4

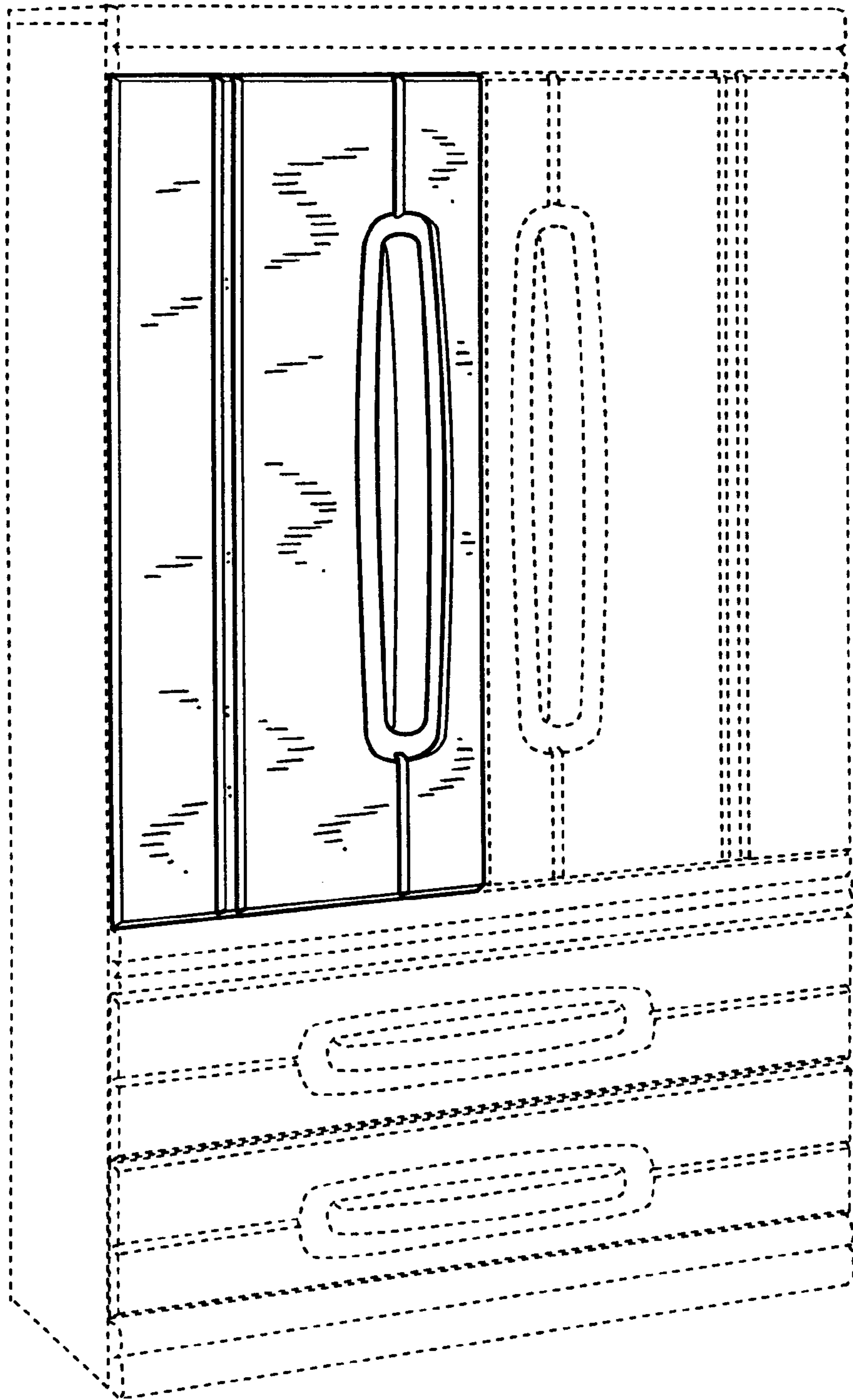


FIG. 5