



US00D421533S

# United States Patent [19]

Lininger, Jr. et al.

[11] Patent Number: **Des. 421,533**

[45] Date of Patent: **\*\* Mar. 14, 2000**

[54] **WORKSTATION MODULE**

[75] Inventors: **Robert R. Lininger, Jr.**, Redondo Beach; **Julian P. Vochelli**, Huntington Beach; **Michael G. Haber**, Torrance, all of Calif.; **Timothy W. Skinner**, Quitman, Ariz.

[73] Assignee: **Virco Mfg. Corporation**, Torrance, Calif.

[\*\*] Term: **14 Years**

[21] Appl. No.: **29/094,457**

[22] Filed: **Oct. 2, 1998**

[51] **LOC (6) Cl.** ..... **06-04**

[52] **U.S. Cl.** ..... **D6/423; D6/421**

[58] **Field of Search** ..... D6/421-428; 312/194-196; 108/60, 59, 64; 52/36; 160/135

[56] **References Cited**

**U.S. PATENT DOCUMENTS**

- D. 172,098 5/1954 Knoll ..... D6/423
- D. 243,051 1/1977 Goulooze ..... D6/421

- D. 320,129 9/1991 Perrego et al. .... D6/423
- D. 331,672 12/1992 Brodbeck ..... D6/421
- D. 332,188 1/1993 Brodbeck ..... D6/421
- D. 366,165 1/1996 Holsinger et al. .... D6/421
- 3,871,435 3/1975 Lopatka ..... 160/135
- 4,807,539 2/1989 Del Castillo Von Haucke ..... 108/111
- 4,936,228 6/1990 Capo-Bianco ..... 108/64
- 5,016,405 5/1991 Lee ..... 52/36
- 5,848,497 12/1998 Henderson ..... 108/64 X

*Primary Examiner*—Carmen H. Vales-Lado  
*Attorney, Agent, or Firm*—James E. Brunton

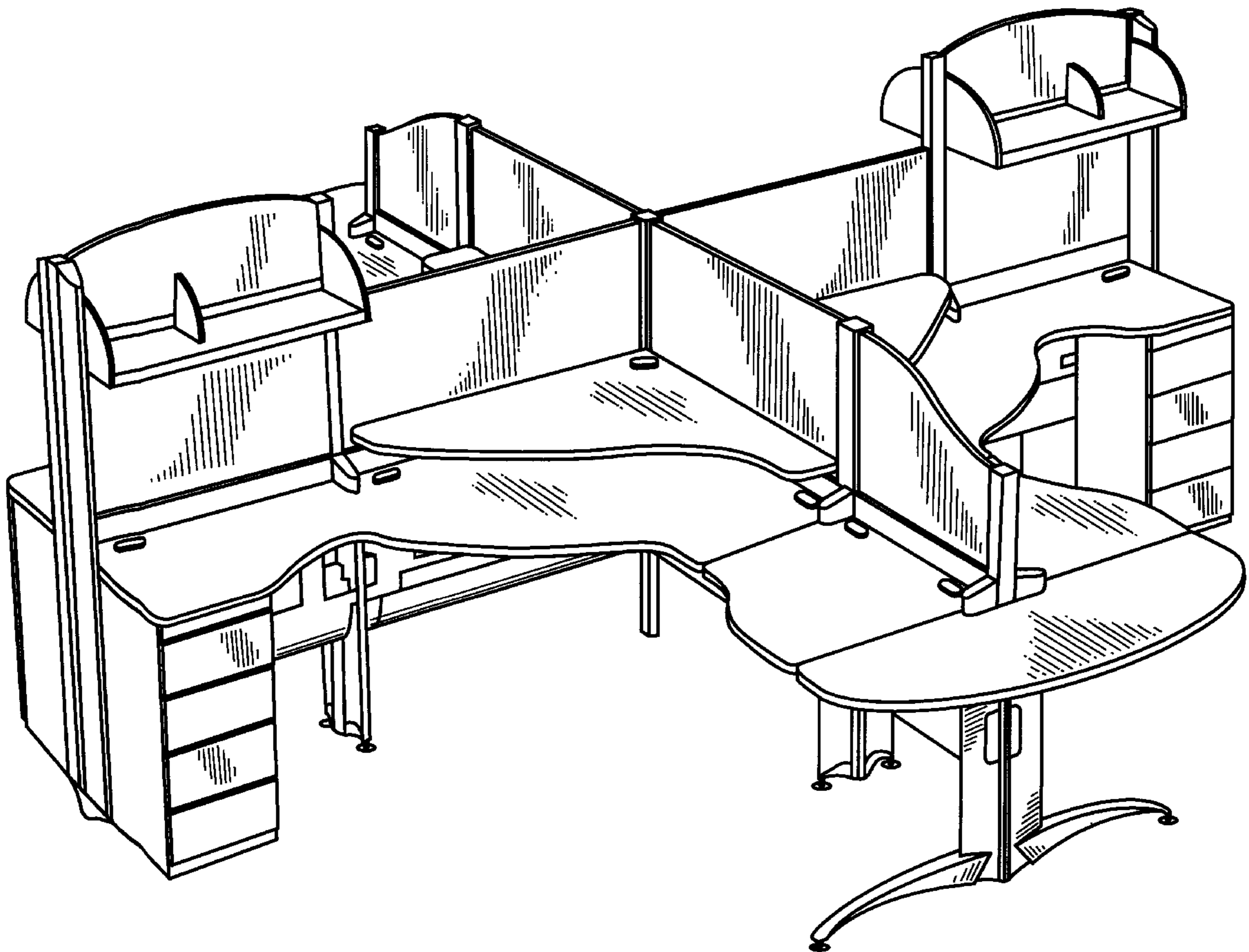
[57] **CLAIM**

The ornamental design for a workstation module, as shown.

**DESCRIPTION**

FIG. 1 is a front perspective view of a workstation module showing our new design;  
 FIG. 2 is a front elevational view, the rear being identical thereto;  
 FIG. 3 is a side elevational view, the opposite side being identical thereto;  
 FIG. 4 is a top plan view thereof; and,  
 FIG. 5 is a bottom plan view thereof.

**1 Claim, 5 Drawing Sheets**



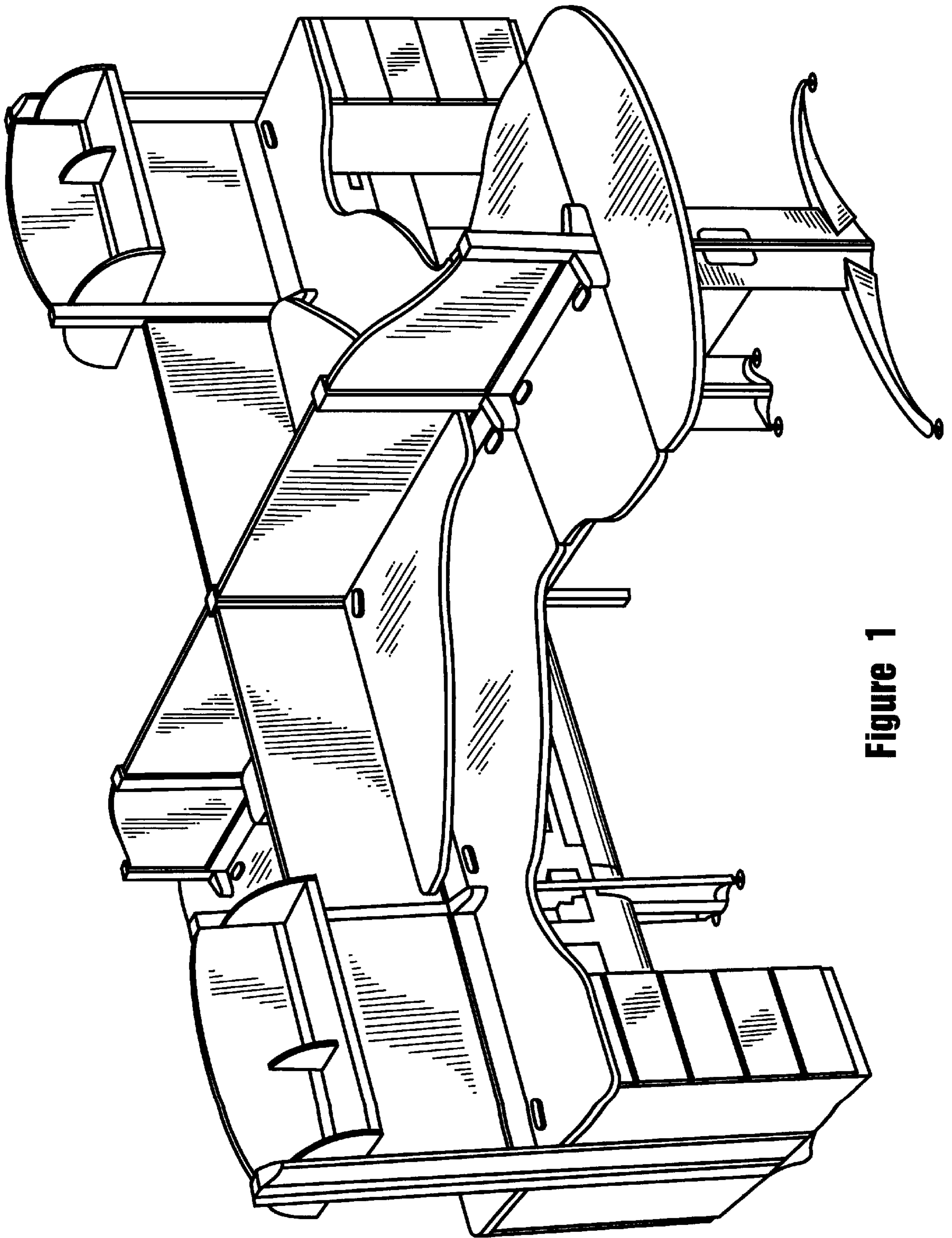


Figure 1

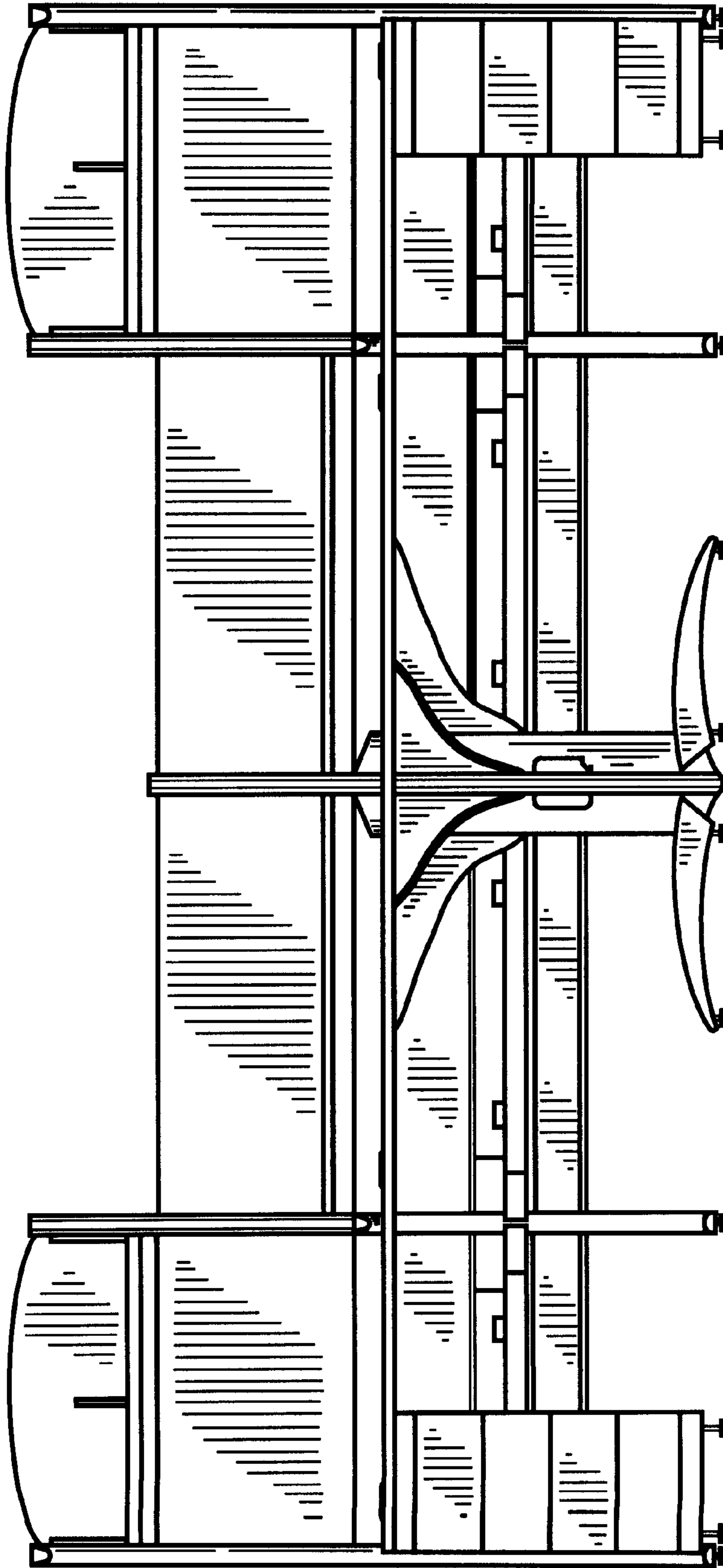
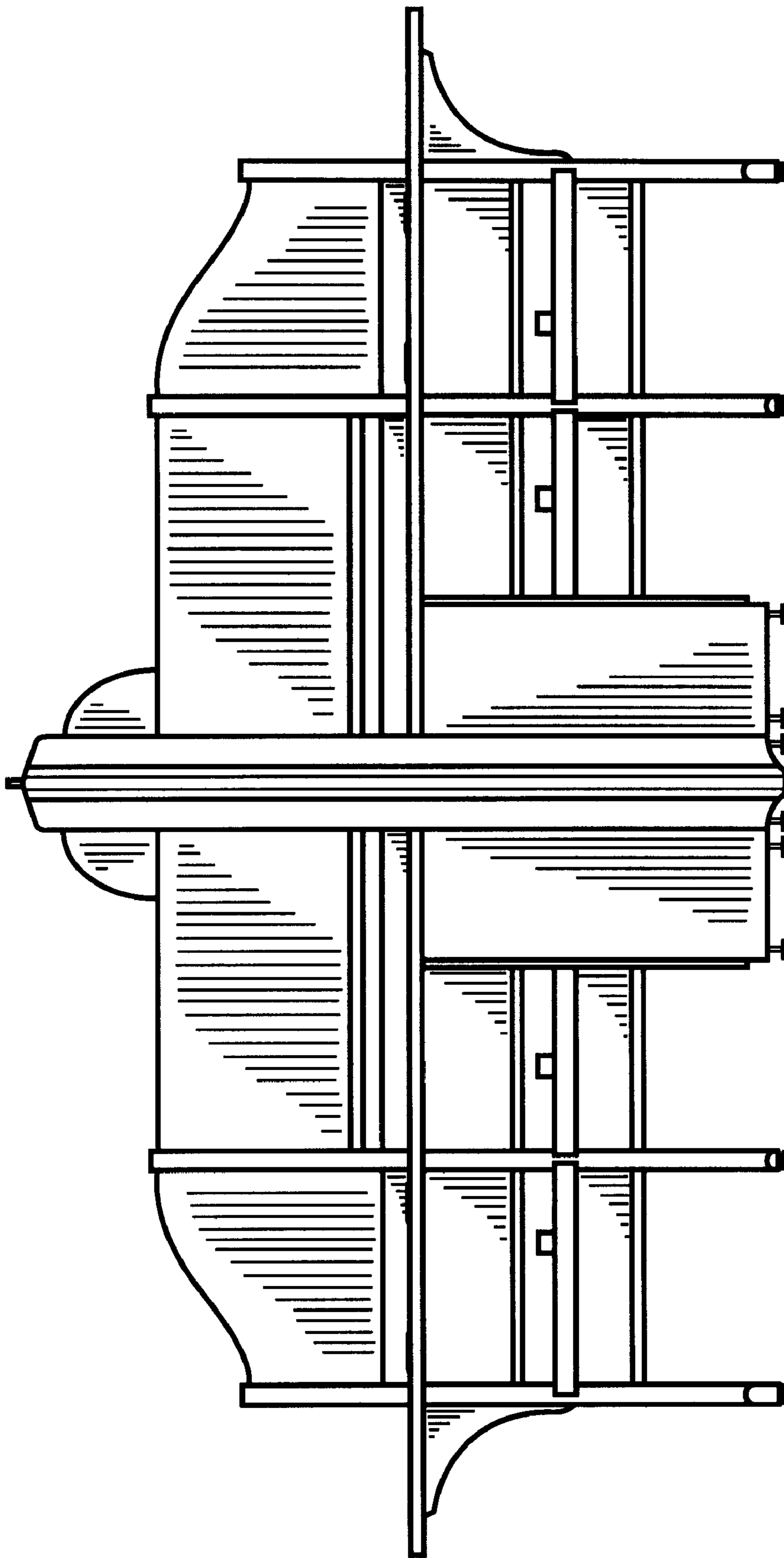


Figure 2



**Figure 3**

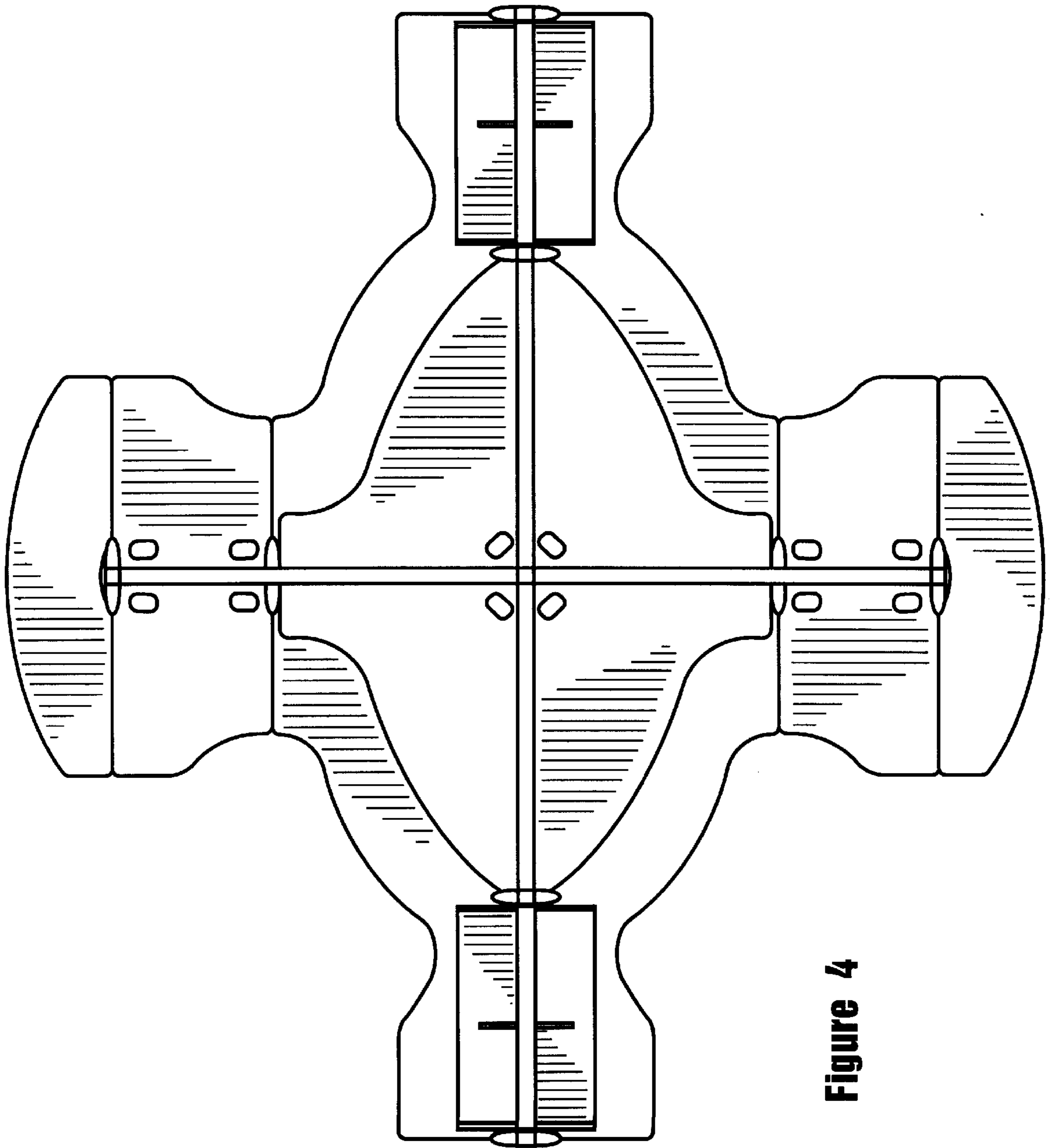


Figure 4

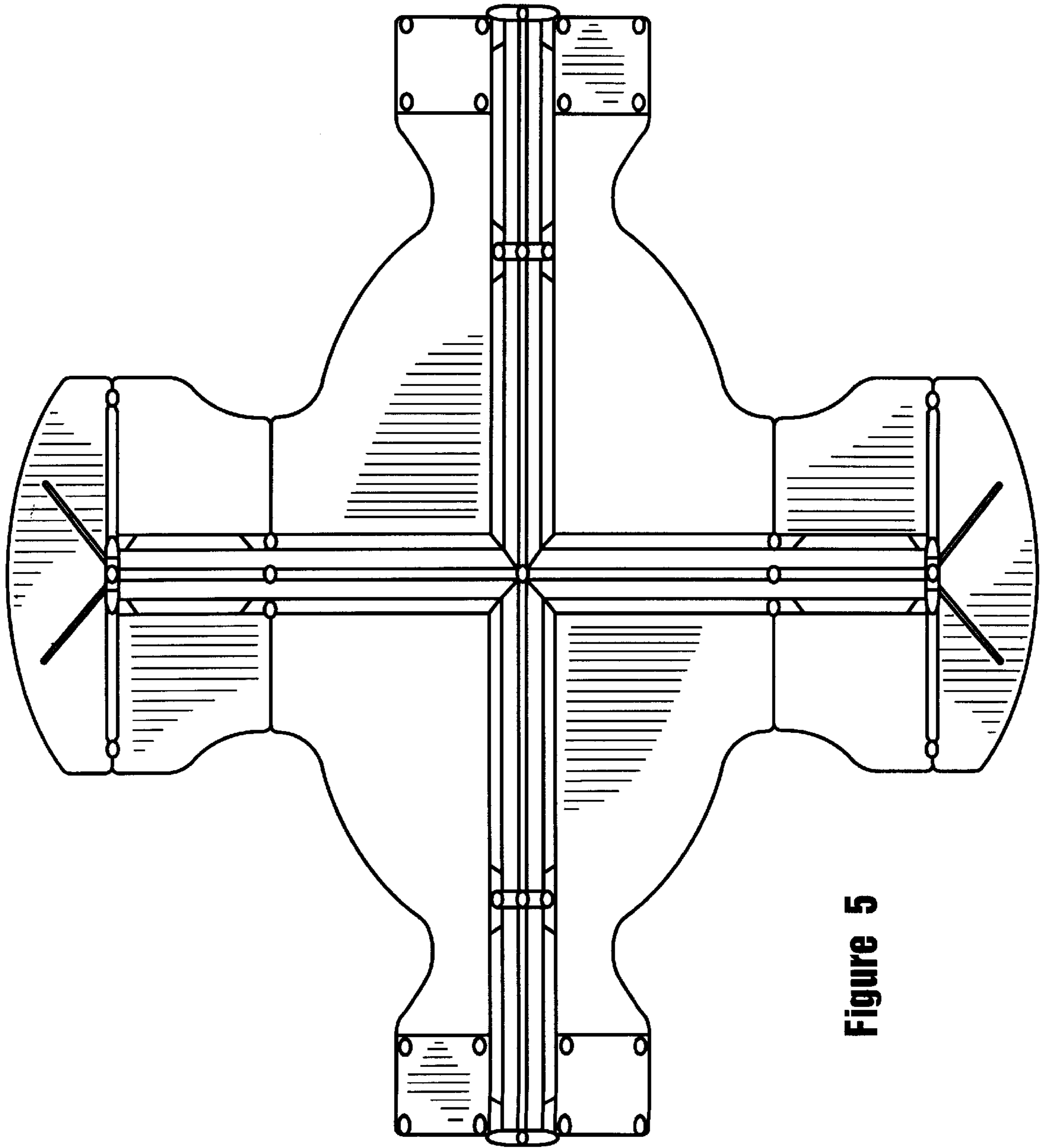


Figure 5