



US00D421532S

United States Patent [19] Koroncai

[11] Patent Number: **Des. 421,532**

[45] Date of Patent: **** Mar. 14, 2000**

[54] **BEACH UMBRELLA ANCHOR**

[76] Inventor: **Robert A Koroncai**, 602 Tall Pines La.,
Horsham, Pa. 19044

[**] Term: **14 Years**

[21] Appl. No.: **29/057,268**

[22] Filed: **Jul. 22, 1996**

[51] **LOC (6) Cl.** **06-04**

[52] **U.S. Cl.** **D6/417**

[58] **Field of Search** D6/417; D21/255;
52/157, 165; 135/16, 118; 248/156, 530,
533, 545; D8/388, 391

[56] **References Cited**

U.S. PATENT DOCUMENTS

D. 347,948	6/1994	McKnight	D6/417
D. 364,286	11/1995	Loadholtz	D6/417
3,736,711	6/1973	Thornbrugh	52/157 X
4,653,245	3/1987	Webb	52/157 X
4,819,904	4/1989	Shpigel et al.	248/545

4,832,304	5/1989	Morgulis	248/533
5,088,681	2/1992	Procaccianti et al.	248/530
5,122,014	6/1992	Genfan	248/533 X
5,156,369	10/1992	Tizzoni	248/545
5,293,889	3/1994	Hall et al.	135/16
5,358,209	10/1994	Ward	248/545
5,457,918	10/1995	Plourde	248/545 X
5,482,246	1/1996	Derkoski	248/530

Primary Examiner—Carmen H Vales-Lado

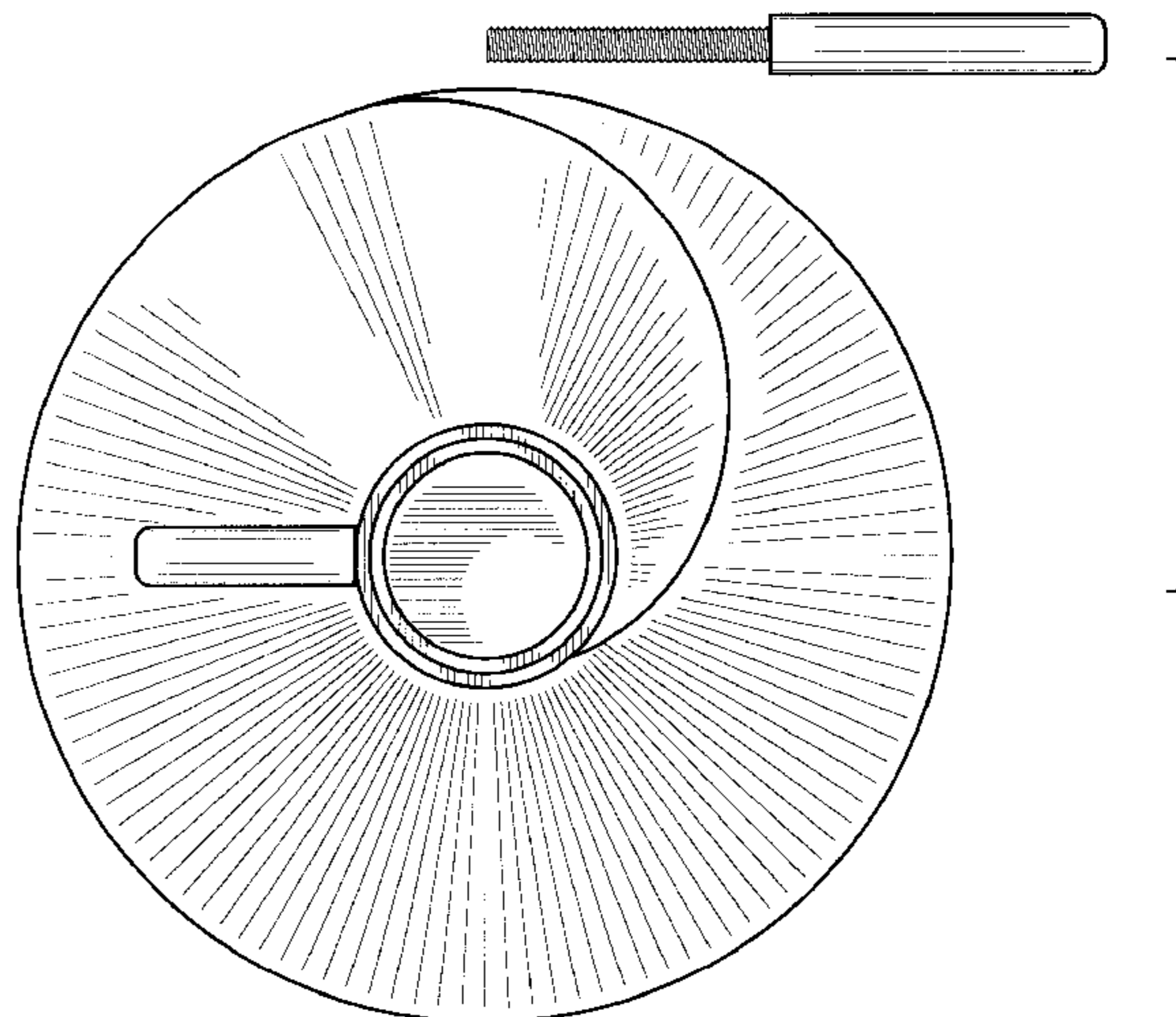
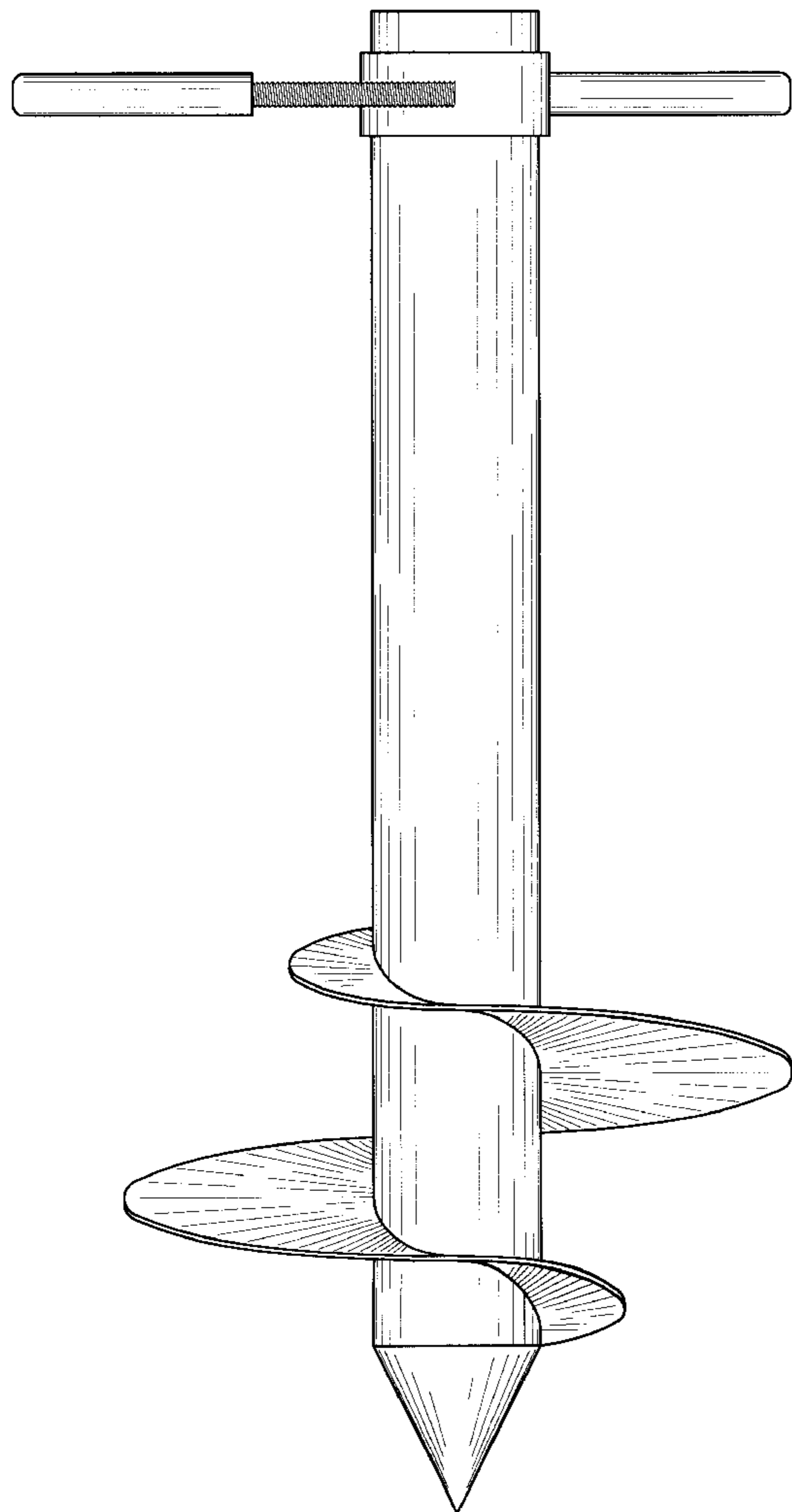
[57] **CLAIM**

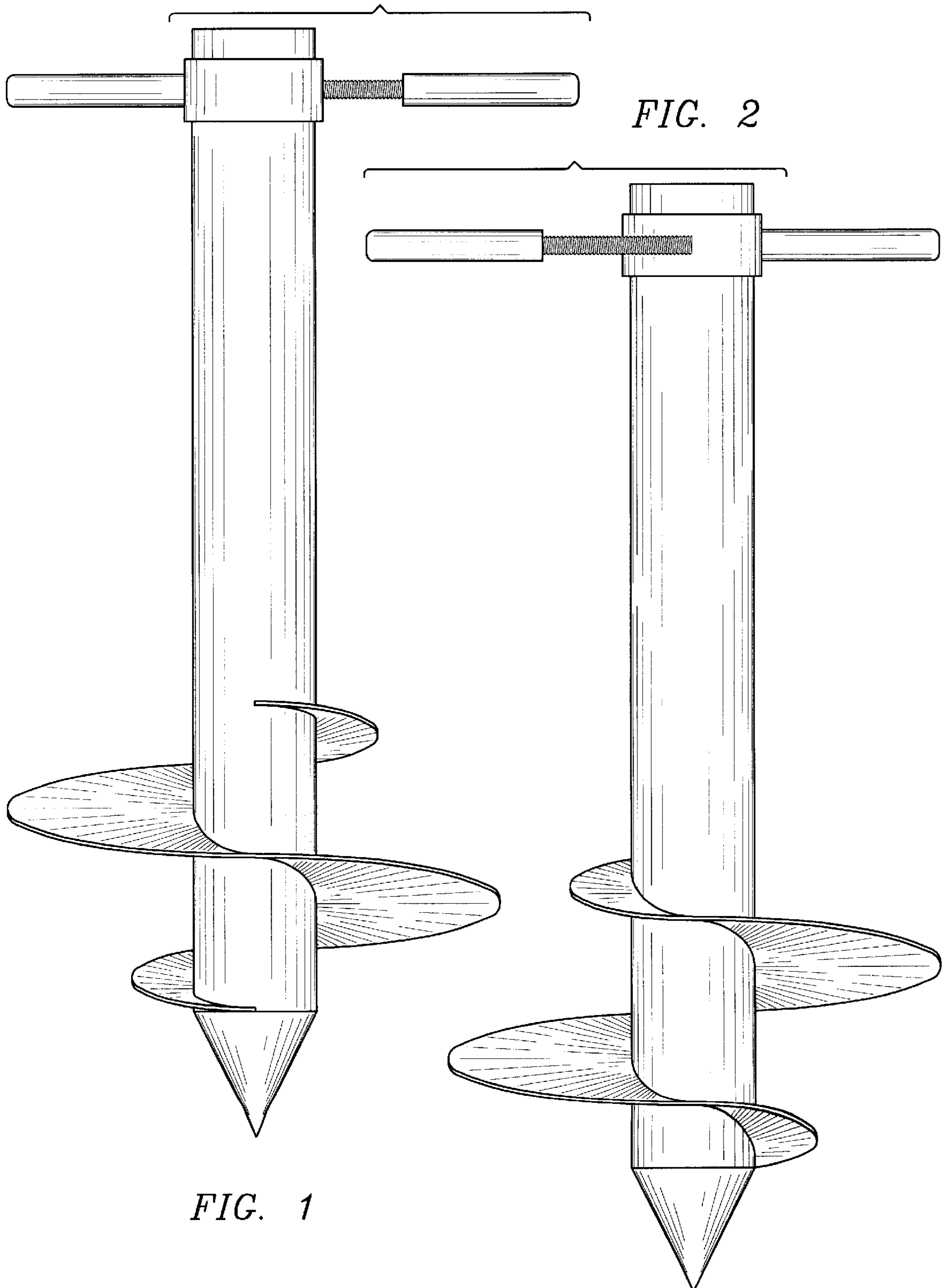
The ornamental design for a beach umbrella anchor, as shown.

DESCRIPTION

FIG. 1 is an exploded right side elevational view of a beach umbrella anchor showing my new design; FIG. 2 is an exploded left side elevational view thereof; FIG. 3 is an exploded front elevational view thereof; FIG. 4 is an exploded rear elevational view thereof; FIG. 5 is an exploded top plan view thereof; and, FIG. 6 is an exploded bottom plan view thereof.

1 Claim, 3 Drawing Sheets





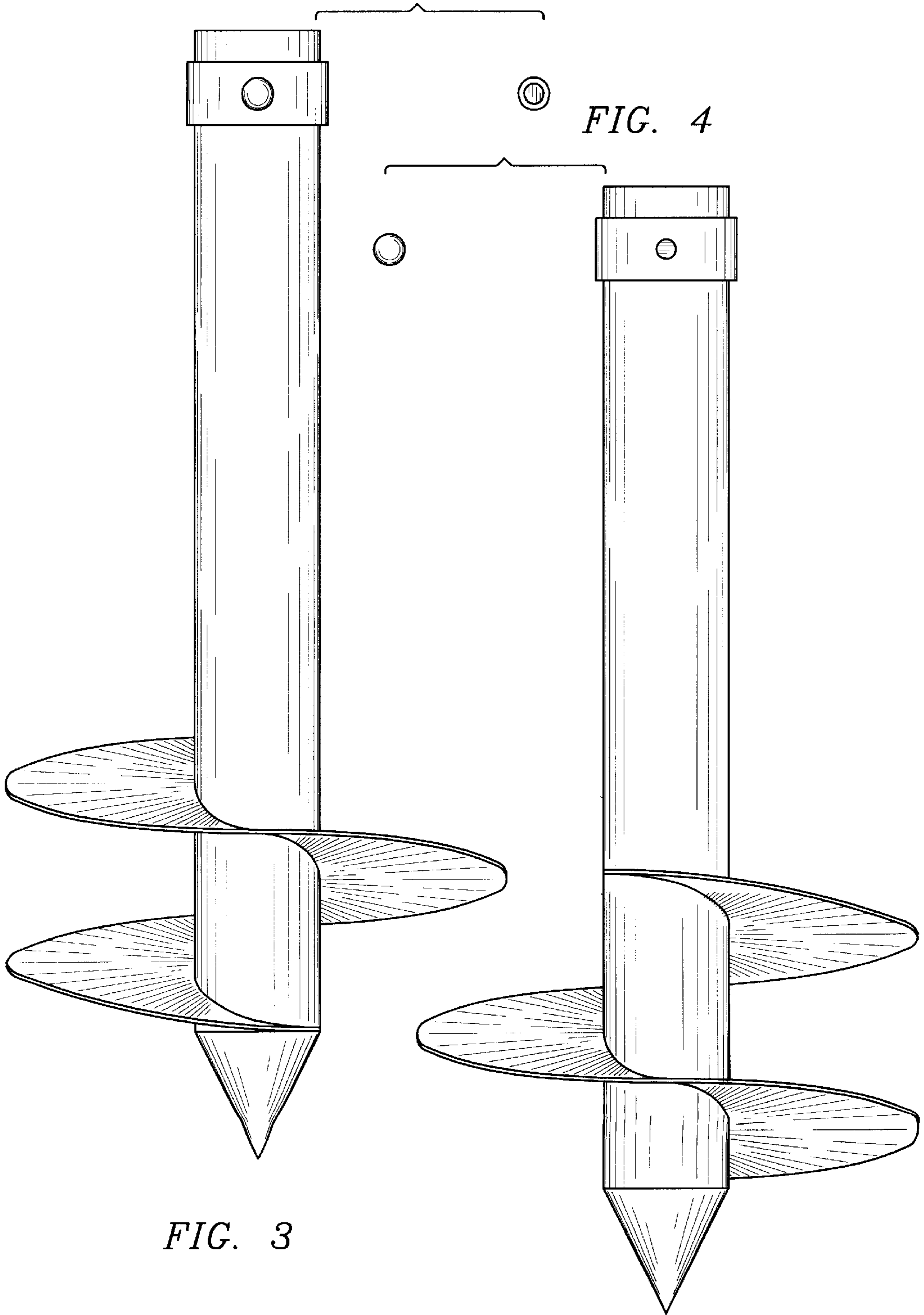


FIG. 3

FIG. 4

FIG. 5

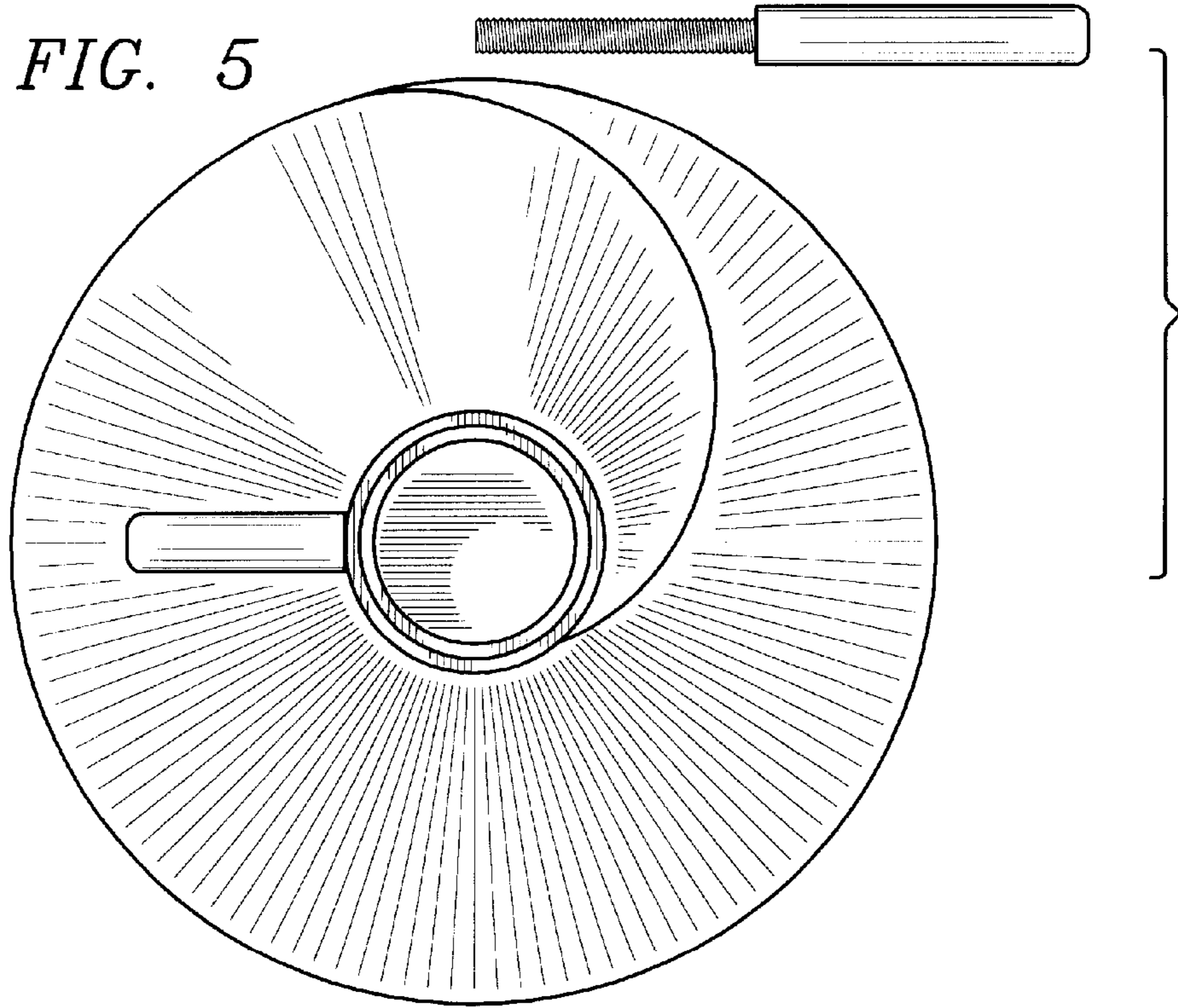


FIG. 6

