



US00D421529S

United States Patent [19]
Rowan

[11] **Patent Number: Des. 421,529**
[45] **Date of Patent: ** Mar. 14, 2000**

[54] **PICTURE FRAME**

[76] Inventor: **Paul Rowan**, 2358 Midland Avenue,
Toronto, Ontario, Canada, M1S 1P8

[**] Term: **14 Years**

[21] Appl. No.: **29/112,627**

[22] Filed: **Oct. 22, 1999**

[51] **LOC (6) Cl.** **06-07**

[52] **U.S. Cl.** **D6/301**

[58] **Field of Search** D6/300-314; D20/10,
D20/40; 40/700, 711, 716, 723, 729, 732,
735, 745, 747, 765, 768, 769, 780, 790,
798

[56] **References Cited**

U.S. PATENT DOCUMENTS

D. 271,359	11/1983	Le .	
D. 279,146	6/1985	McCaffrey .	
D. 280,363	9/1985	Wisecup, Jr. .	
D. 296,957	8/1988	Gordon et al. .	
D. 339,238	9/1993	Hamilton .	
D. 346,068	4/1994	White .	
882,710	3/1908	Pearsall .	
886,840	5/1908	Mueller .	
1,802,999	4/1931	Budd .	
3,178,844	4/1965	Christian .	
3,532,209	10/1970	Bonia	40/749
3,616,558	11/1971	Jahn	40/711
4,165,573	8/1979	Richards .	
4,794,714	1/1989	Weisgerber .	
5,367,802	11/1994	Rosenberg .	

OTHER PUBLICATIONS

Burnes of Boston 1984, p. 23, #5552 at top right.
Exposures Fall 1993, p. 22, frame #B at top and center.
Exposures, Winter 1995, p. 14, picture frame, item 4, top left
corner of page, p. 33, bottom of page, Item I, Collectors'
Wood Frames.

Exposures, Winter 1990, p. 61, picture frame, Item L, top
left corner of page.

Gifts and Decorative Accessories, Feb. 1985, p. 195, Walnut
Square Plate Frame, bottom right of page.

Burnes of Boston 1984 Catalog, p. 19, item 6190, picture
frames, center right of page, p. 25, item 5450 picture frames,
bottom right of page.

Spencer's Catalog, 1967, p. 24, Album-Paperweight, Hard-
wood, Brass-Plated Frames.

Burnes of Boston, 1984 Catalog, p. 14, item 8931, top right
of page, picture frames.

Gifts and Decorative Accessories, May 1978, p. 69, center
left of page, four pictures diamond shape frame.

Primary Examiner—Janice E. Seeger

[57] **CLAIM**

The ornamental design for a picture frame, as shown and
described.

DESCRIPTION

FIG. 1 is a perspective view of a picture frame showing my
new design;

FIG. 2 is a front view thereof;

FIG. 3 is a top view thereof, the bottom, left side, and right
side views being identical;

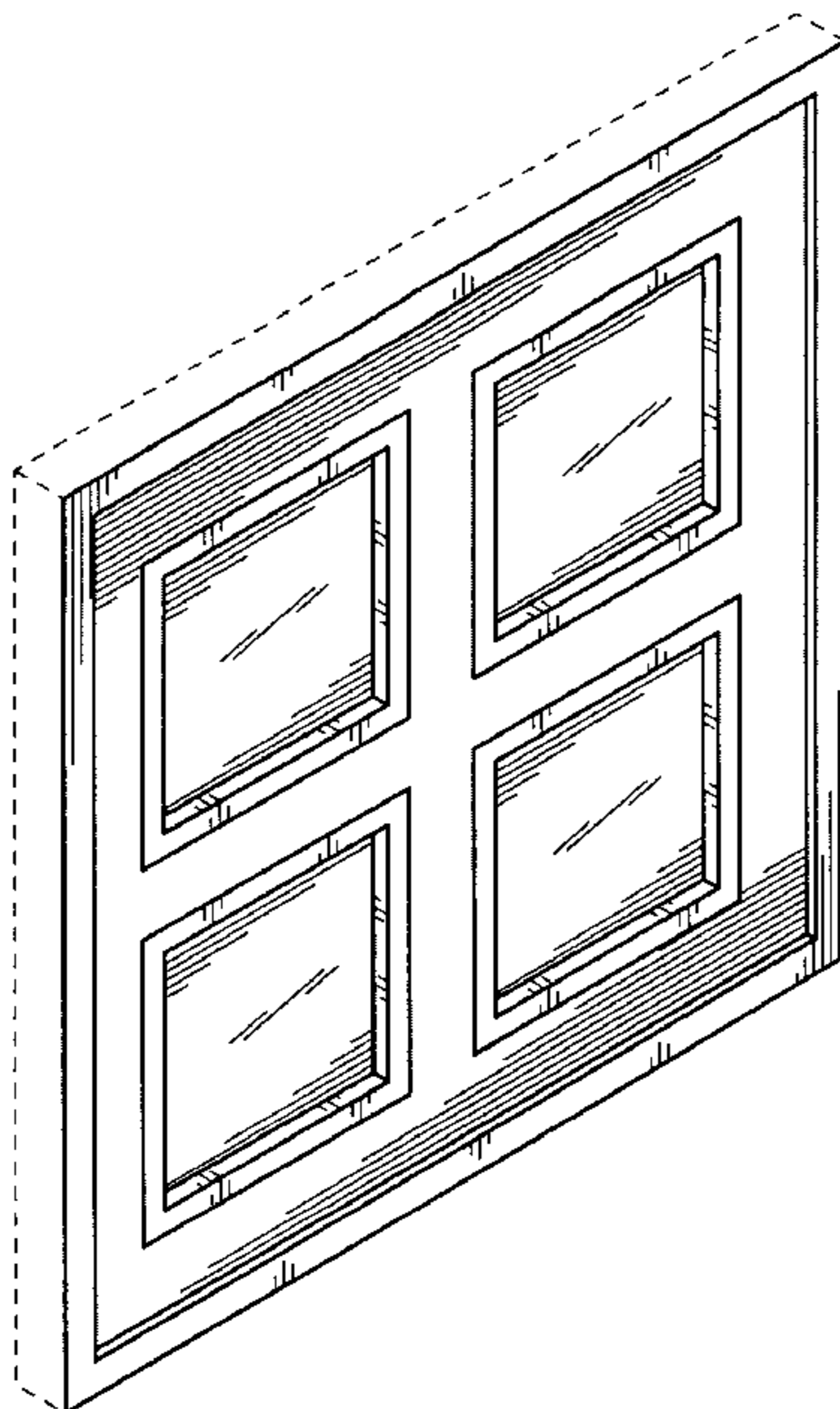
FIG. 4 is a perspective view of a second embodiment of a
picture frame showing my new design;

FIG. 5 is a front view thereof; and,

FIG. 6 is a top view thereof, the bottom, left side, and right
side views being identical.

The rear view of the each embodiment forms no part of the
claimed design. The broken lines in FIGS. 1, 3, 4, and 6
represent environmental subject matter and form no part of
the claimed design.

1 Claim, 2 Drawing Sheets



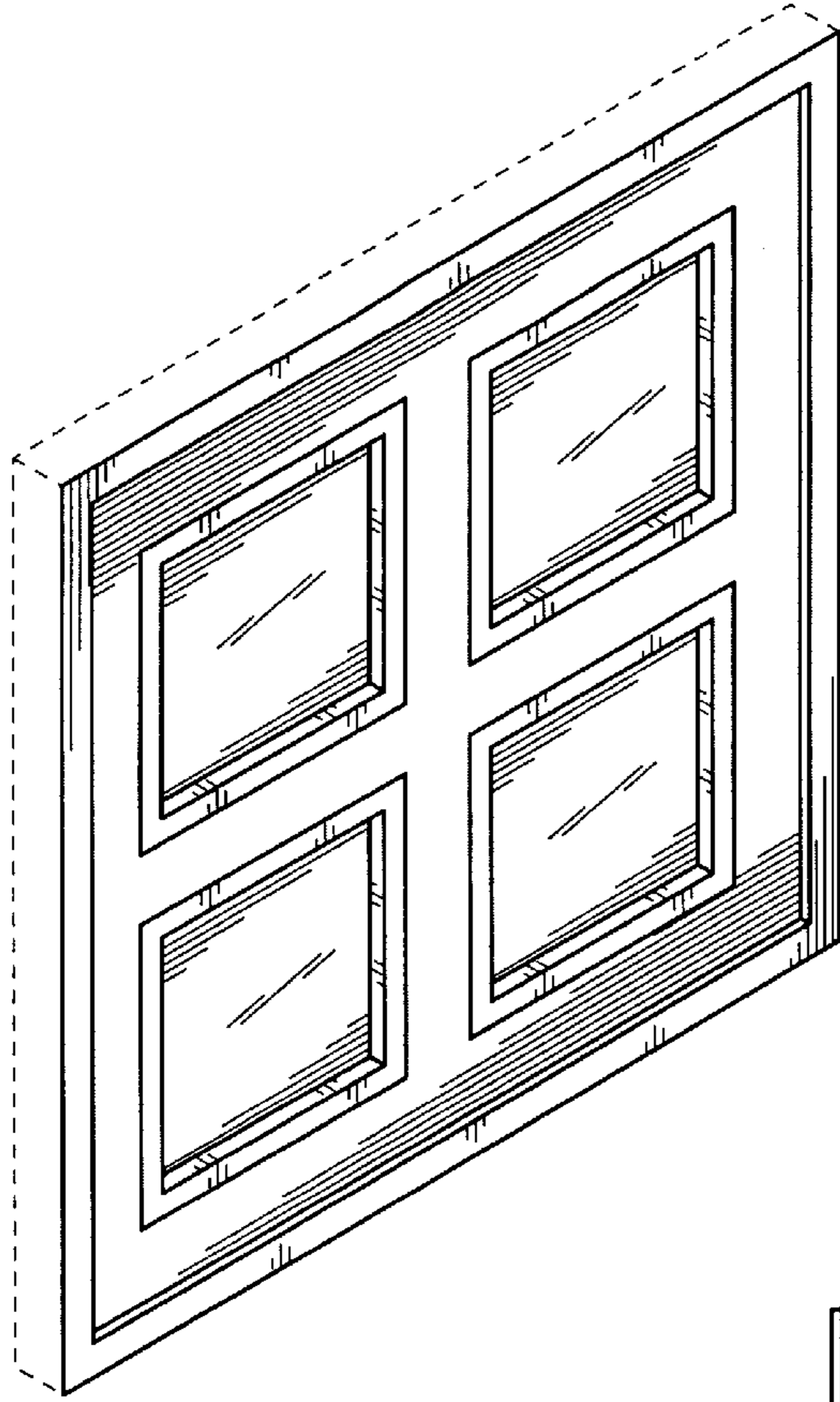


FIG. 1

FIG. 2

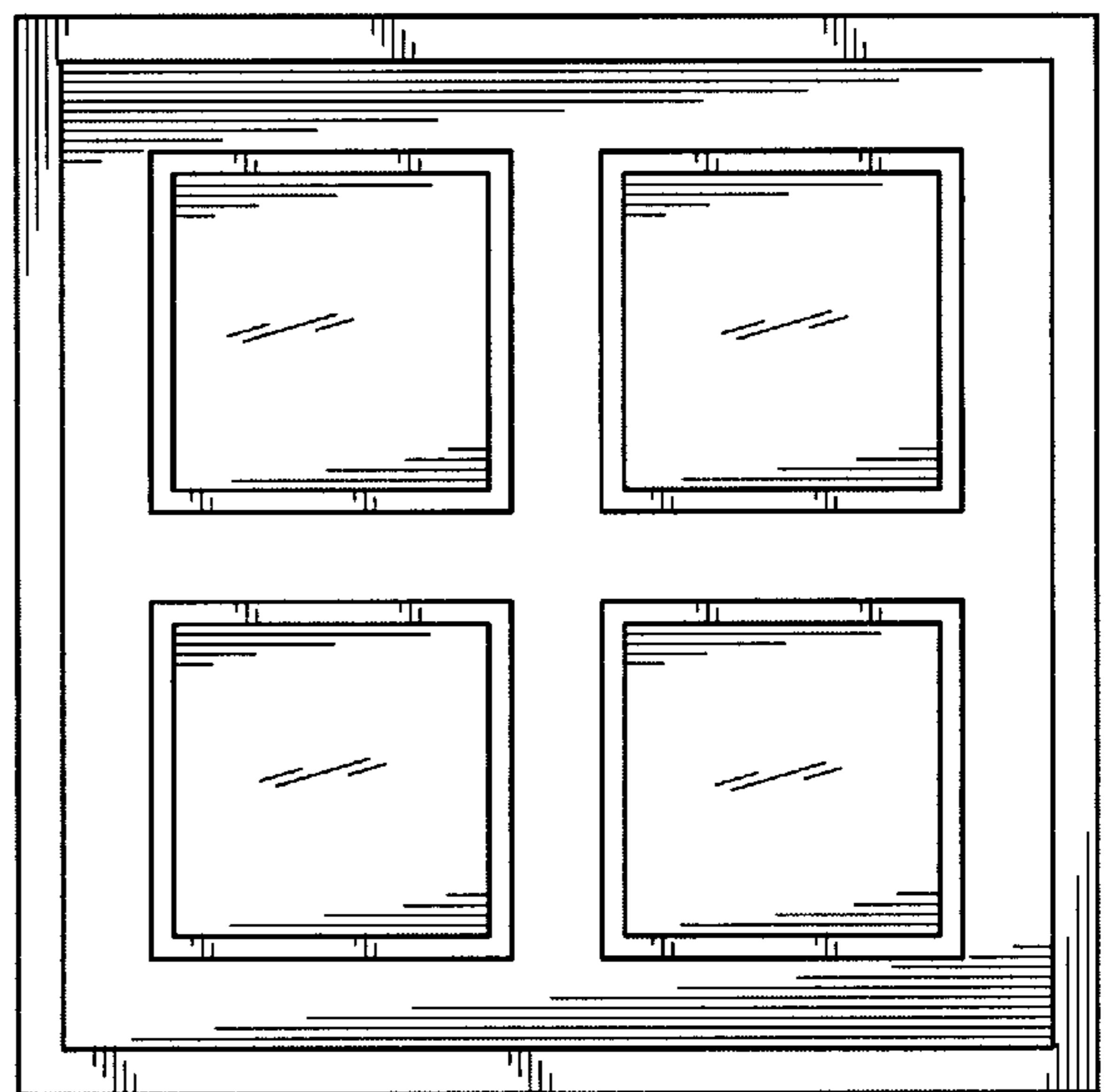


FIG. 3



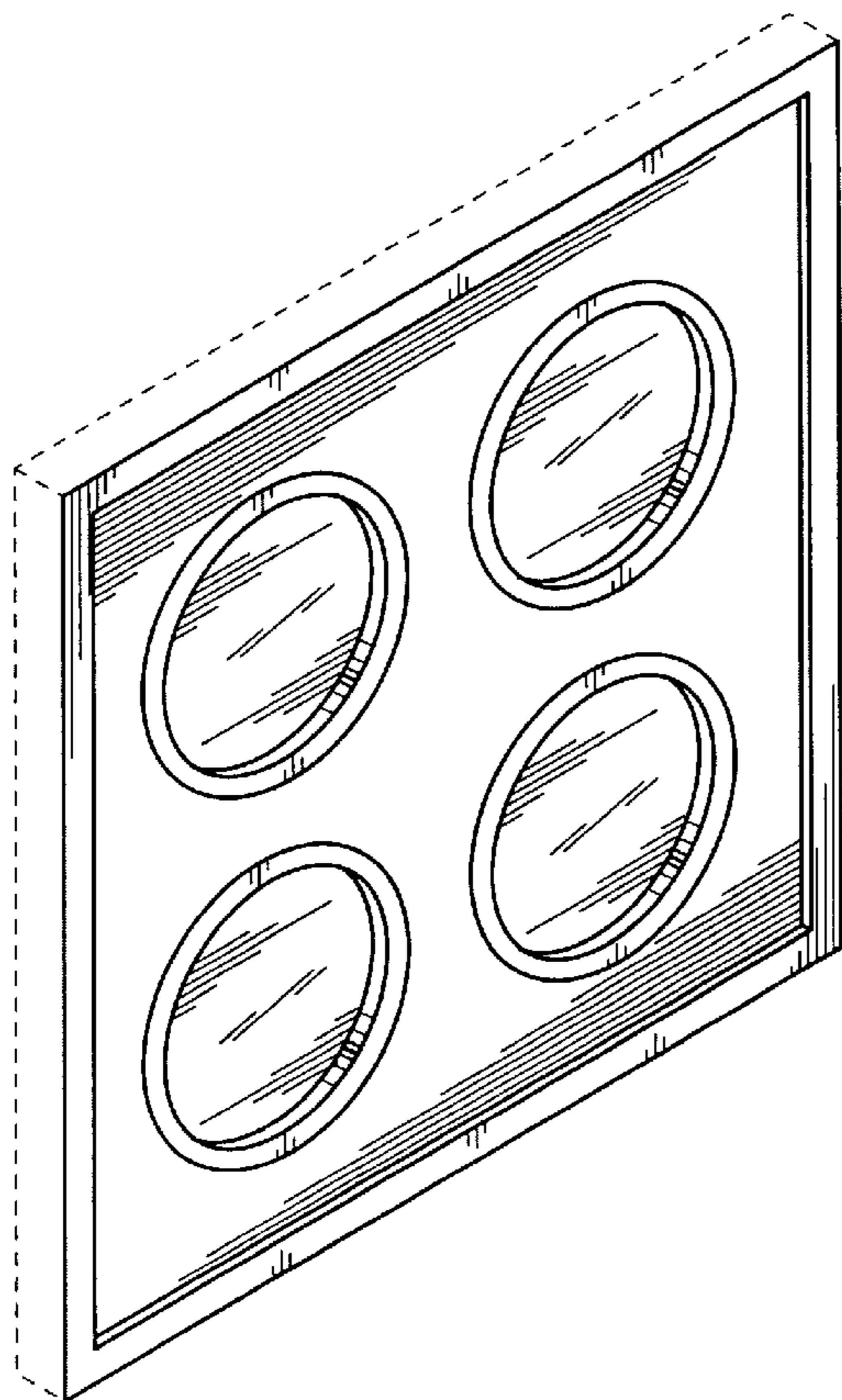


FIG. 4

FIG. 5

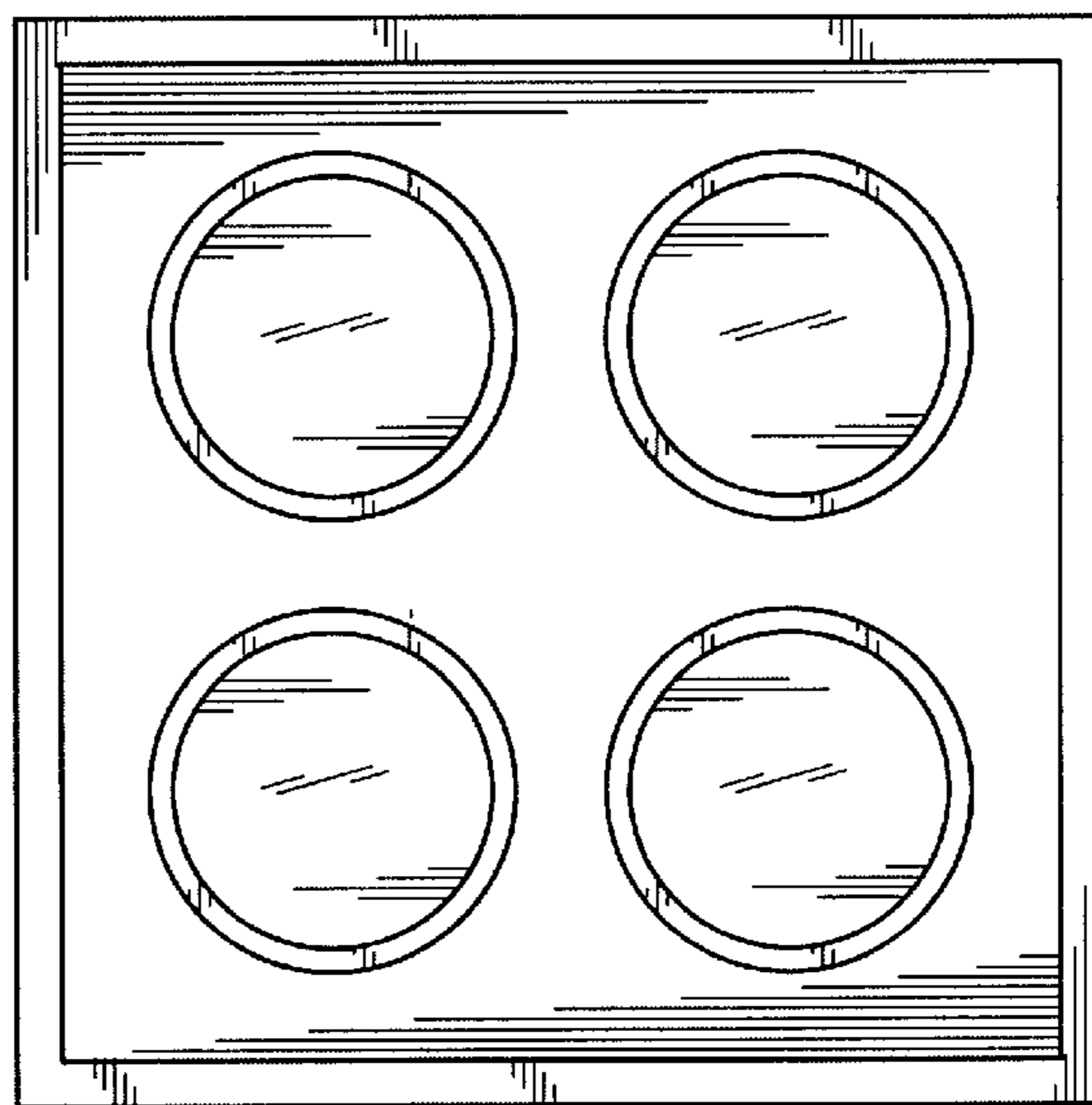


FIG. 6

