



US00D421516S

United States Patent [19] Hung

[11] Patent Number: Des. 421,516

[45] Date of Patent: ** Mar. 7, 2000

[54] JACK

[76] Inventor: **Michael Hung**, 9-16, Nan Kan Hsia,
Nan Kan, Lu Chu Hsiang, Tao Yuan
County, Taiwan

[**] Term: **14 Years**

[21] Appl. No.: **29/098,718**

[22] Filed: **Jan. 5, 1999**

[51] LOC (6) Cl. **12-05**

[52] U.S. Cl. **D34/31**

[58] Field of Search D34/32, 28, 31,
D34/33; 254/88, 84, 11, 93, 45

[56] **References Cited**

U.S. PATENT DOCUMENTS

D. 253,696	12/1979	Suzuki	D34/31
D. 263,128	2/1982	Glover, Jr. et al.	D34/31
D. 285,855	9/1986	Persson	D34/31
D. 345,843	4/1994	Collins	D34/31
D. 358,923	5/1995	Hawkins	D34/31
D. 364,026	11/1995	Hung	D34/31
D. 388,926	1/1998	Sorensen	D34/31
D. 398,730	9/1998	Lin	D34/31
3,664,635	5/1972	Kincaid	254/88

4,277,048	7/1981	Okuda	254/8 B
4,473,213	9/1984	Decker	254/93 H
5,042,777	8/1991	Applebaum	254/8 B
5,201,494	4/1993	Lundman	254/8 B
5,221,073	6/1993	Shockley	254/8 B
5,618,029	4/1997	Chung	254/8 B
5,878,996	3/1999	Loan	254/8 B

Primary Examiner—Susan J. Lucas
Assistant Examiner—Cynthia Ramirez
Attorney, Agent, or Firm—Wenderoth, Lind & Ponack,
L.L.P.

[57] **CLAIM**

The ornamental design for a jack, as shown and described.

DESCRIPTION

FIG. 1 is a left side perspective view of a jack showing my new design;
FIG. 2 is a front view thereof;
FIG. 3 is a rear view thereof;
FIG. 4 is a left side view thereof;
FIG. 5 is a right side view thereof;
FIG. 6 is a top view thereof; and,
FIG. 7 is a bottom view thereof.

1 Claim, 5 Drawing Sheets

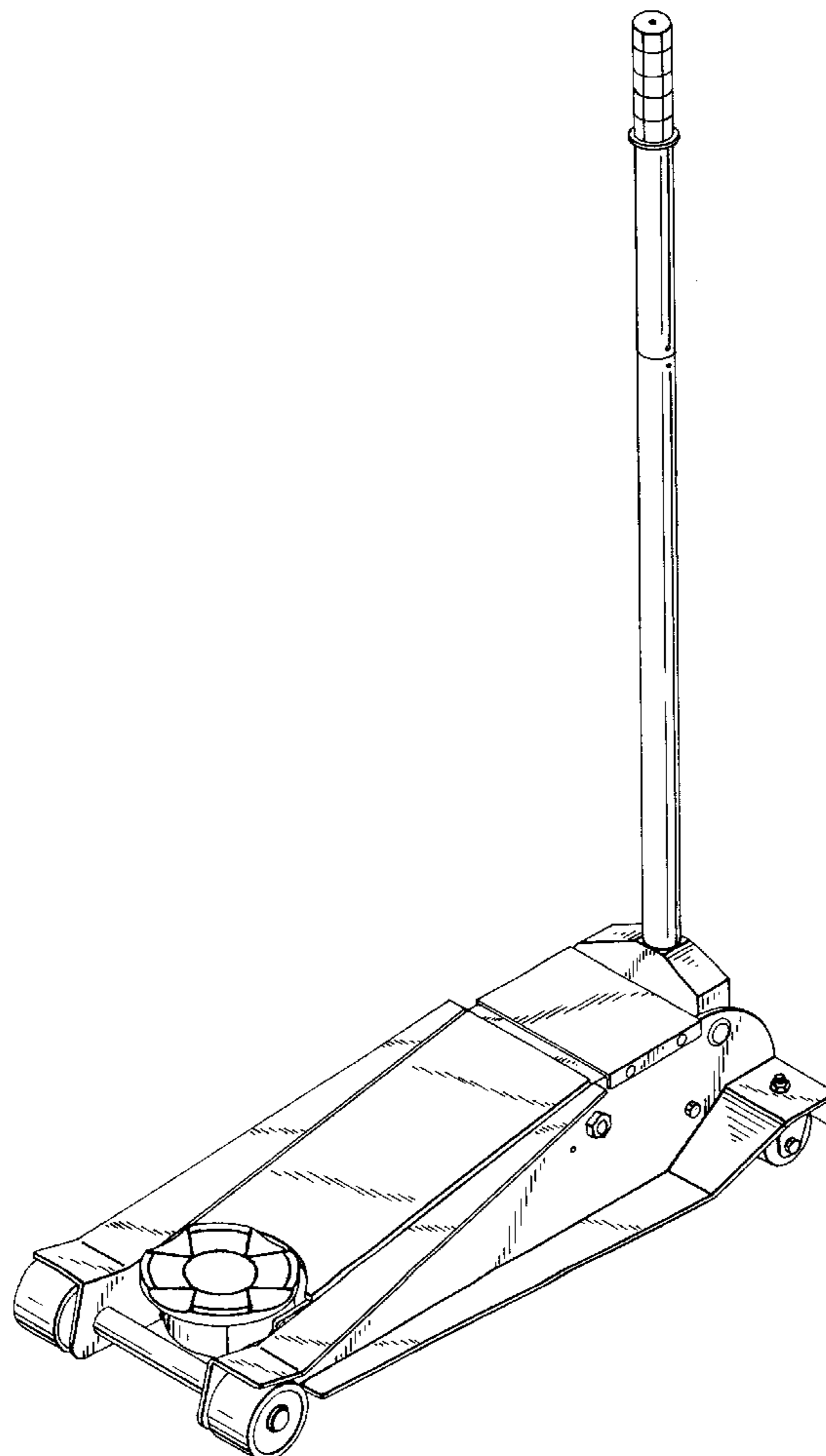


FIG. 1

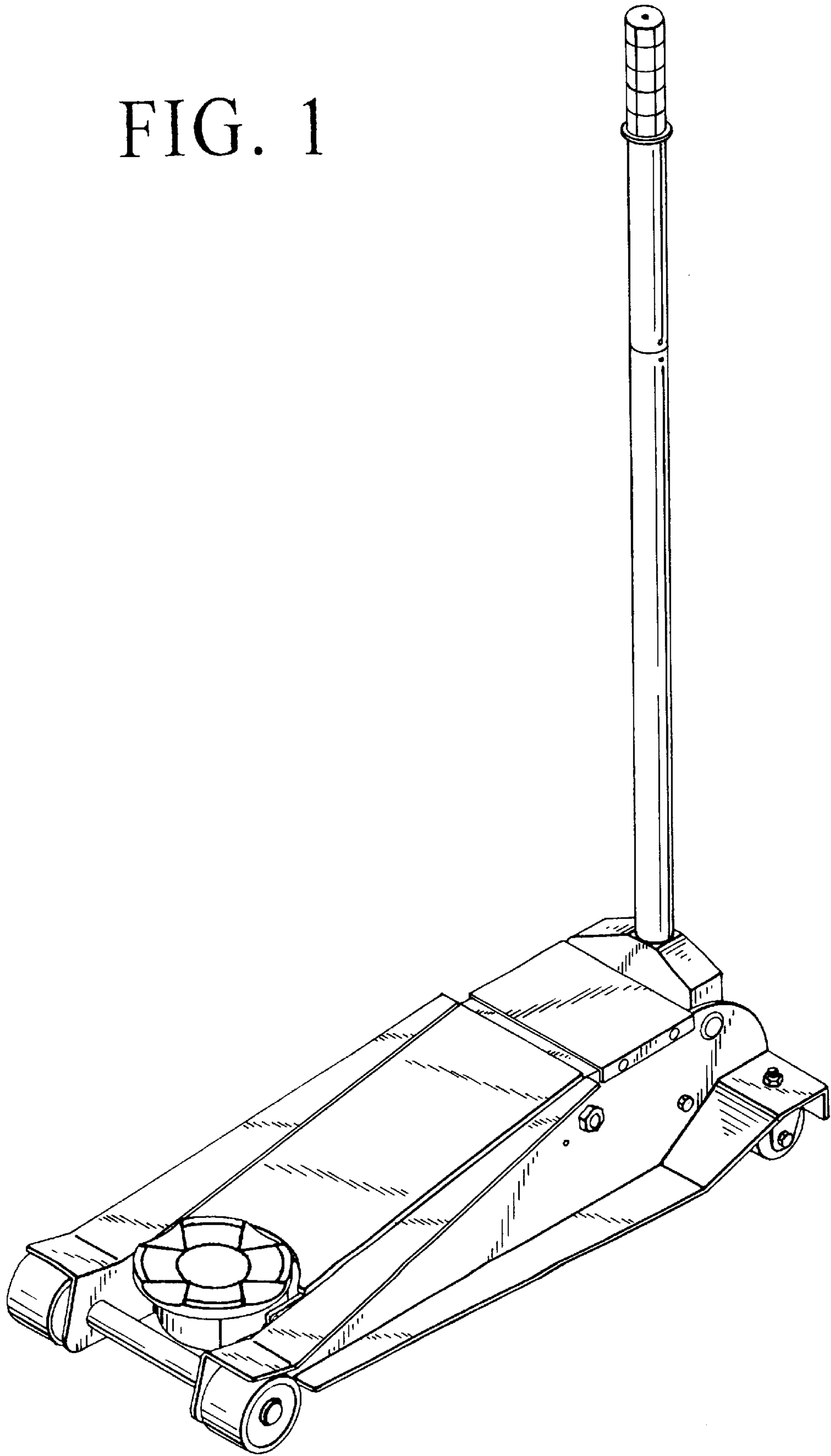


FIG. 2

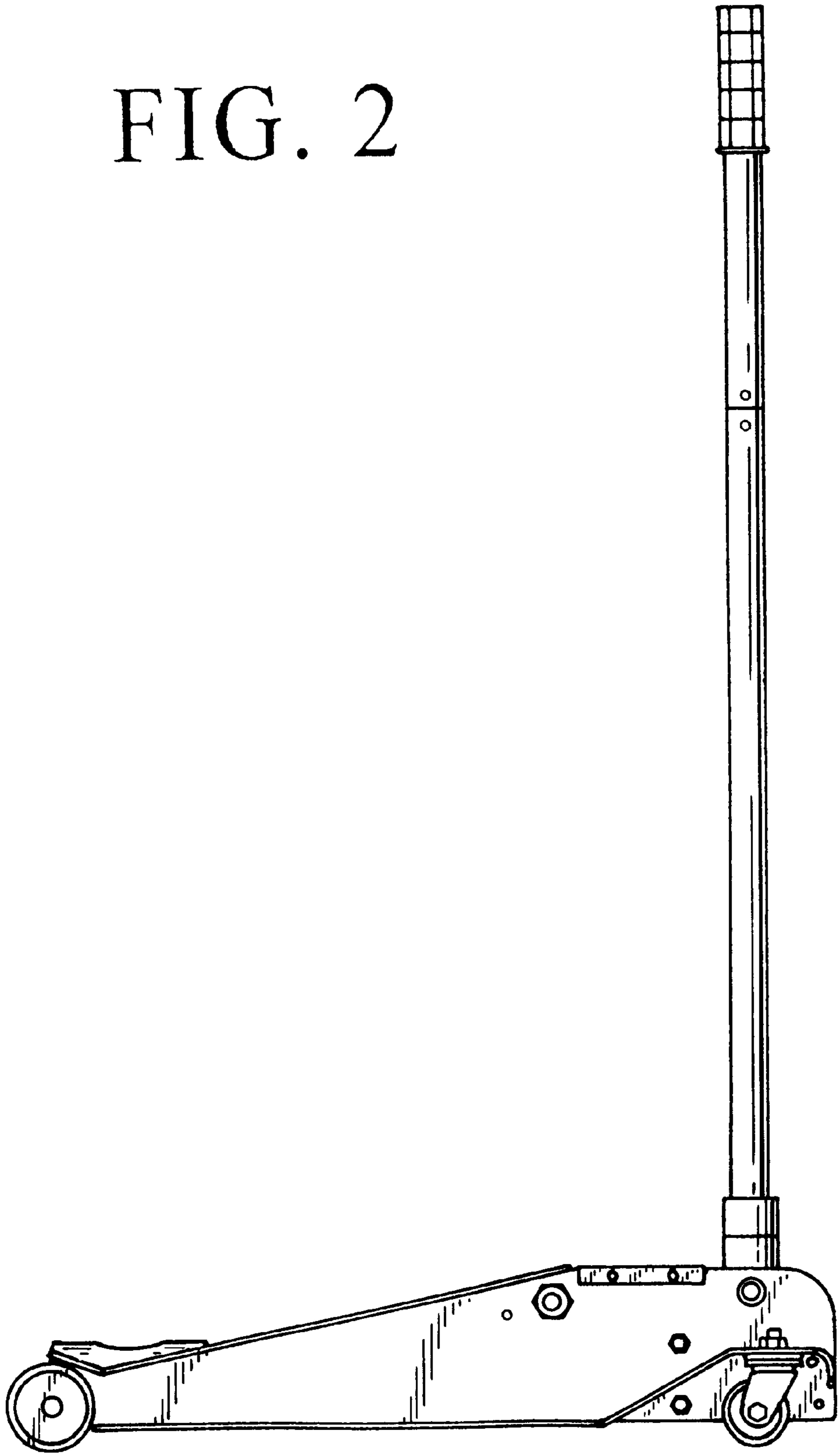
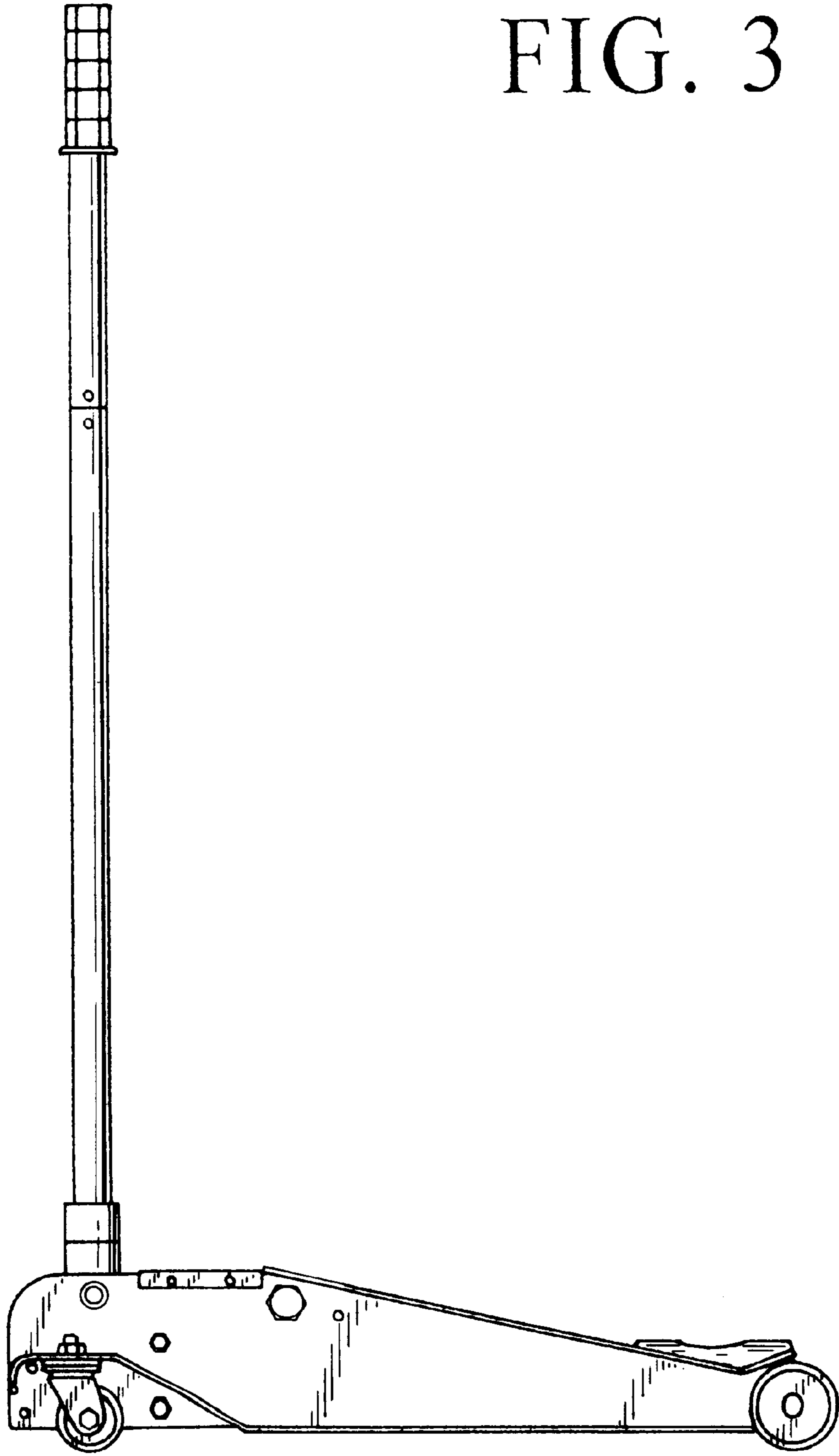


FIG. 3



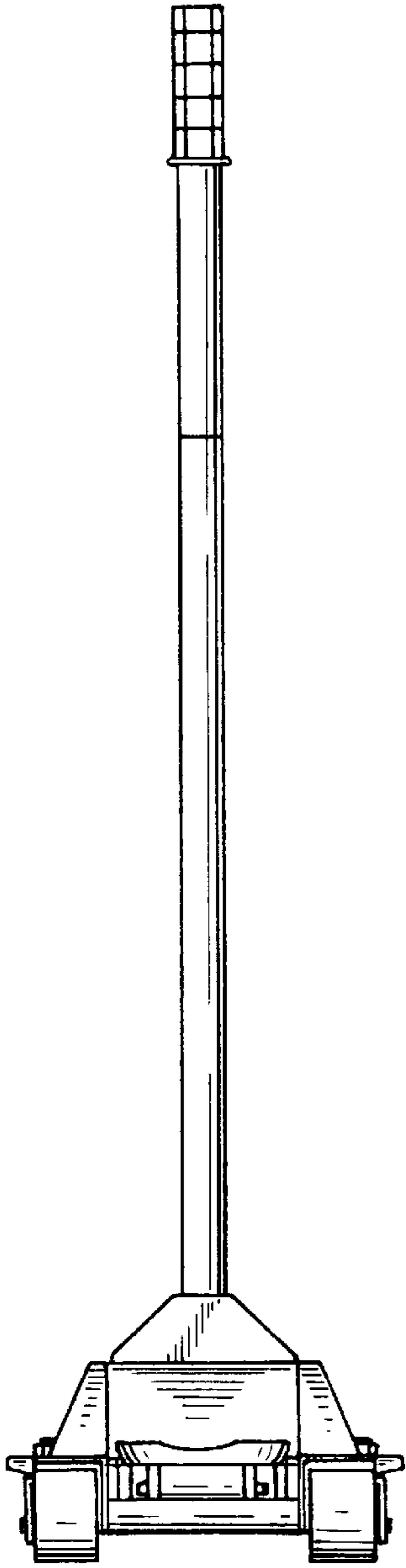


FIG. 4

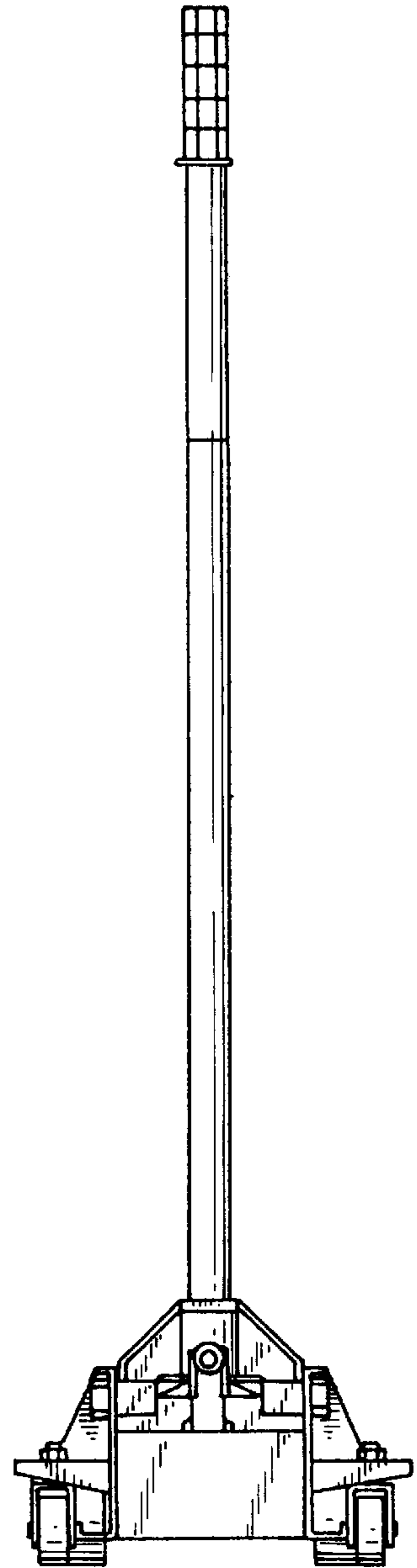


FIG. 5

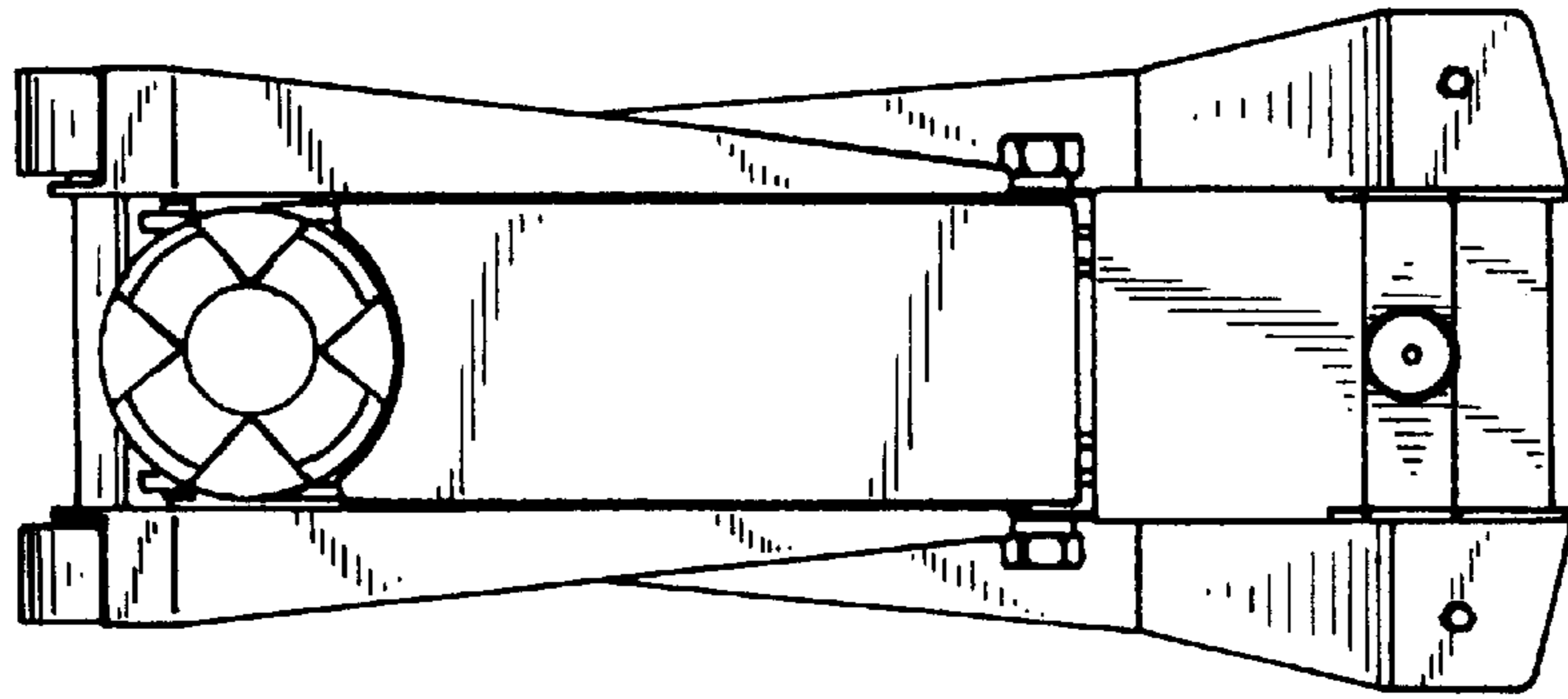


FIG. 6

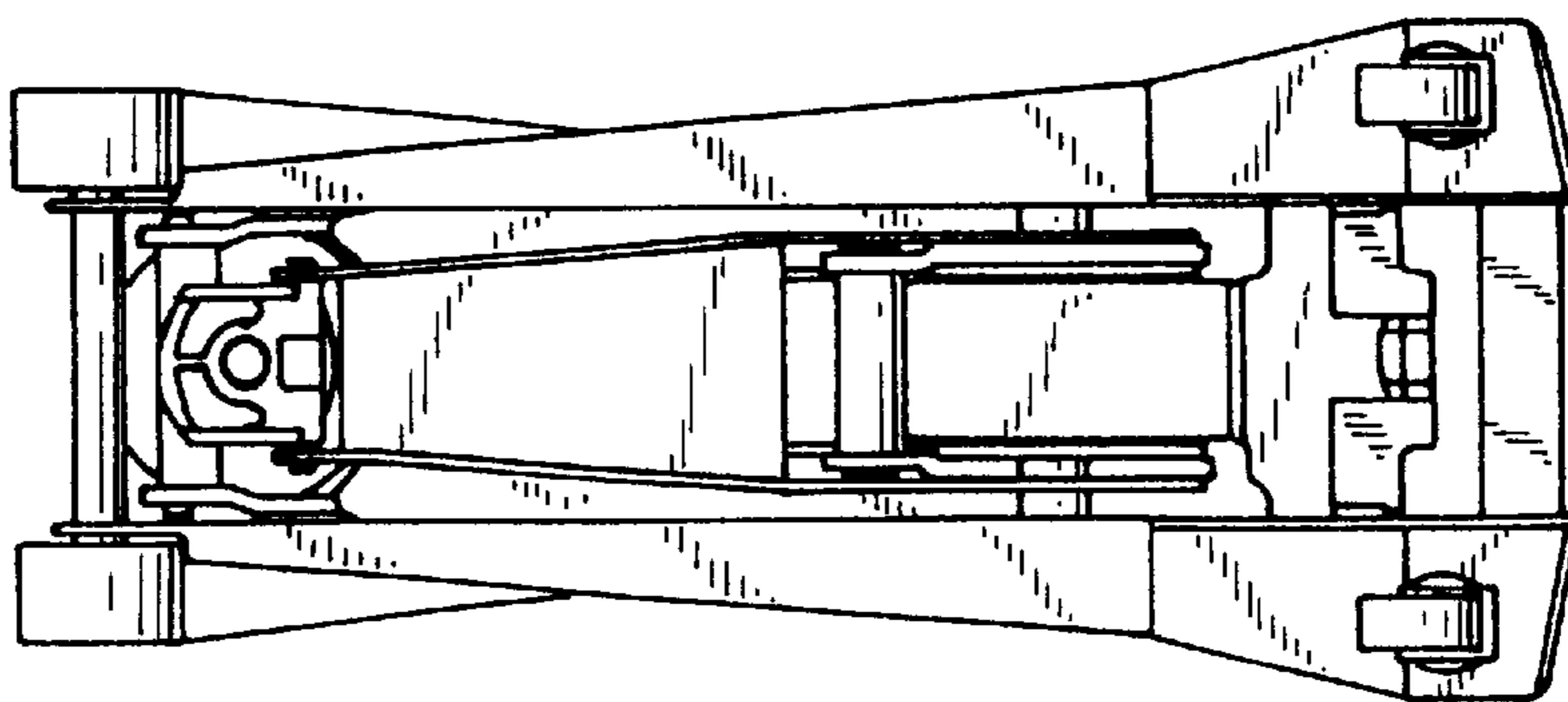


FIG. 7