



US00D421513S

# United States Patent [19]

Hsu

[11] Patent Number: **Des. 421,513**

[45] Date of Patent: **\*\* Mar. 7, 2000**

[54] **HAND-HELD VACUUM CLEANER**

[76] Inventor: **Chin-Tien Hsu**, No. 3, Alley 15, Lane 54, Fute 2nd Rd., Hsitzu Chen, Taipei Hsien, Taiwan

[\*\*] Term: **14 Years**

[21] Appl. No.: **29/096,347**

[22] Filed: **Nov. 10, 1998**

[51] **LOC (6) Cl.** ..... **15-05**

[52] **U.S. Cl.** ..... **D32/18**

[58] **Field of Search** ..... D4/102, 127, 137; D32/17-18, 21, 31-33; 15/373, 396, 398, 415.1-416, 322, 344, 329

[56] **References Cited**

**U.S. PATENT DOCUMENTS**

- D. 196,227 9/1963 Polatchek ..... D4/102
- D. 205,994 10/1966 Ota ..... D4/102
- D. 300,185 3/1989 Suzuki ..... D4/102

- D. 352,828 11/1994 Chen ..... D4/102
- D. 360,502 7/1995 Hollinger ..... D32/18
- D. 376,694 12/1996 Aiyar ..... D4/102
- D. 387,515 12/1997 Nottingham et al. .... D32/17
- D. 409,335 5/1999 Slater ..... D28/58

*Primary Examiner*—Ruth McInroy  
*Attorney, Agent, or Firm*—Holland & Hart LLP

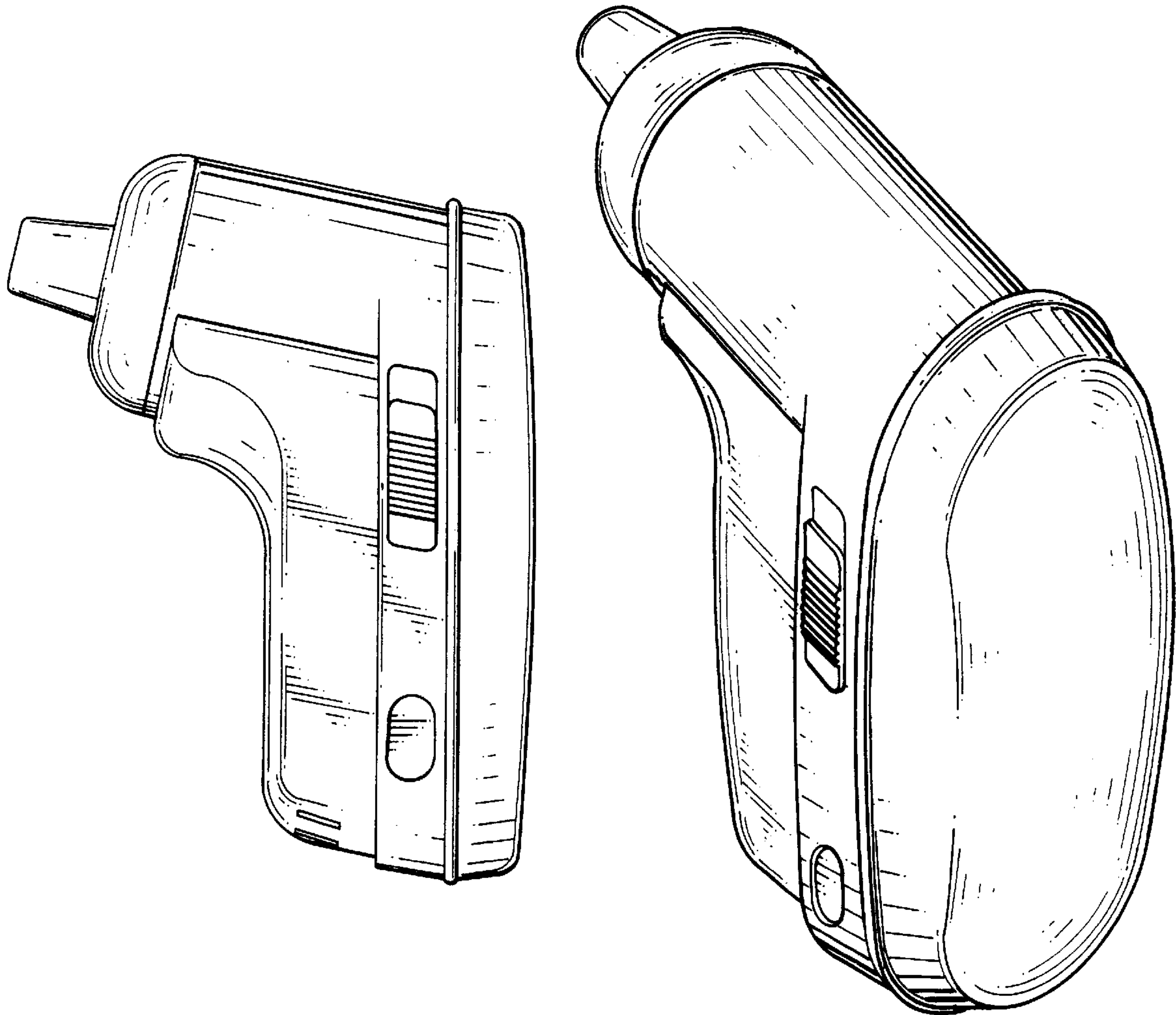
[57] **CLAIM**

The ornamental design for a hand-held vacuum cleaner, as shown.

**DESCRIPTION**

FIG. 1 is a front elevational view of a hand-held vacuum cleaner showing my new design; FIG. 2 is a rear elevational view thereof; FIG. 3 is a left elevational view thereof; FIG. 4 is a right elevational view thereof; FIG. 5 is a top plan view thereof; FIG. 6 is a bottom plan view thereof; and, FIG. 7 is a front-right-top perspective view thereof.

**1 Claim, 5 Drawing Sheets**



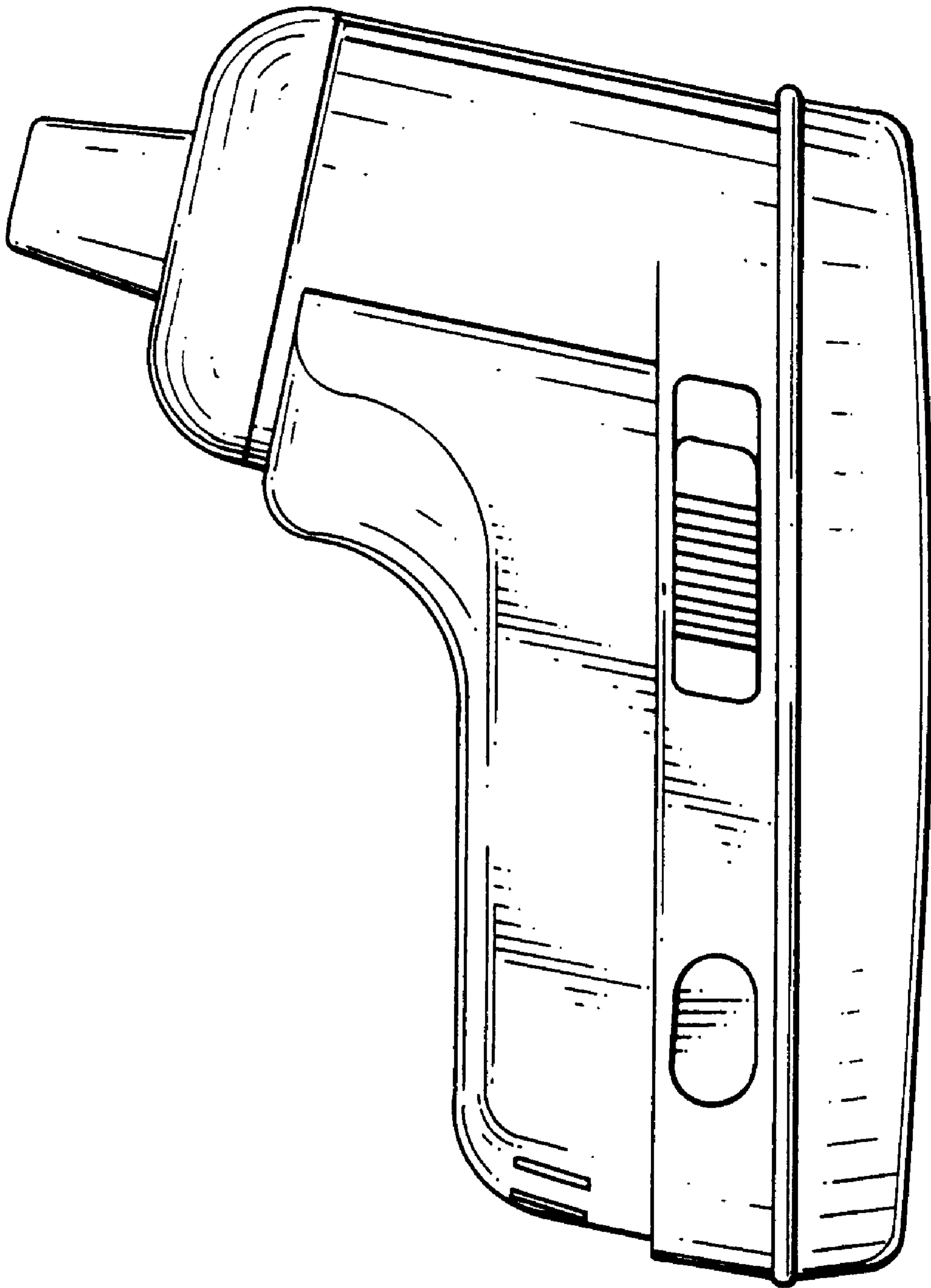


Fig.1

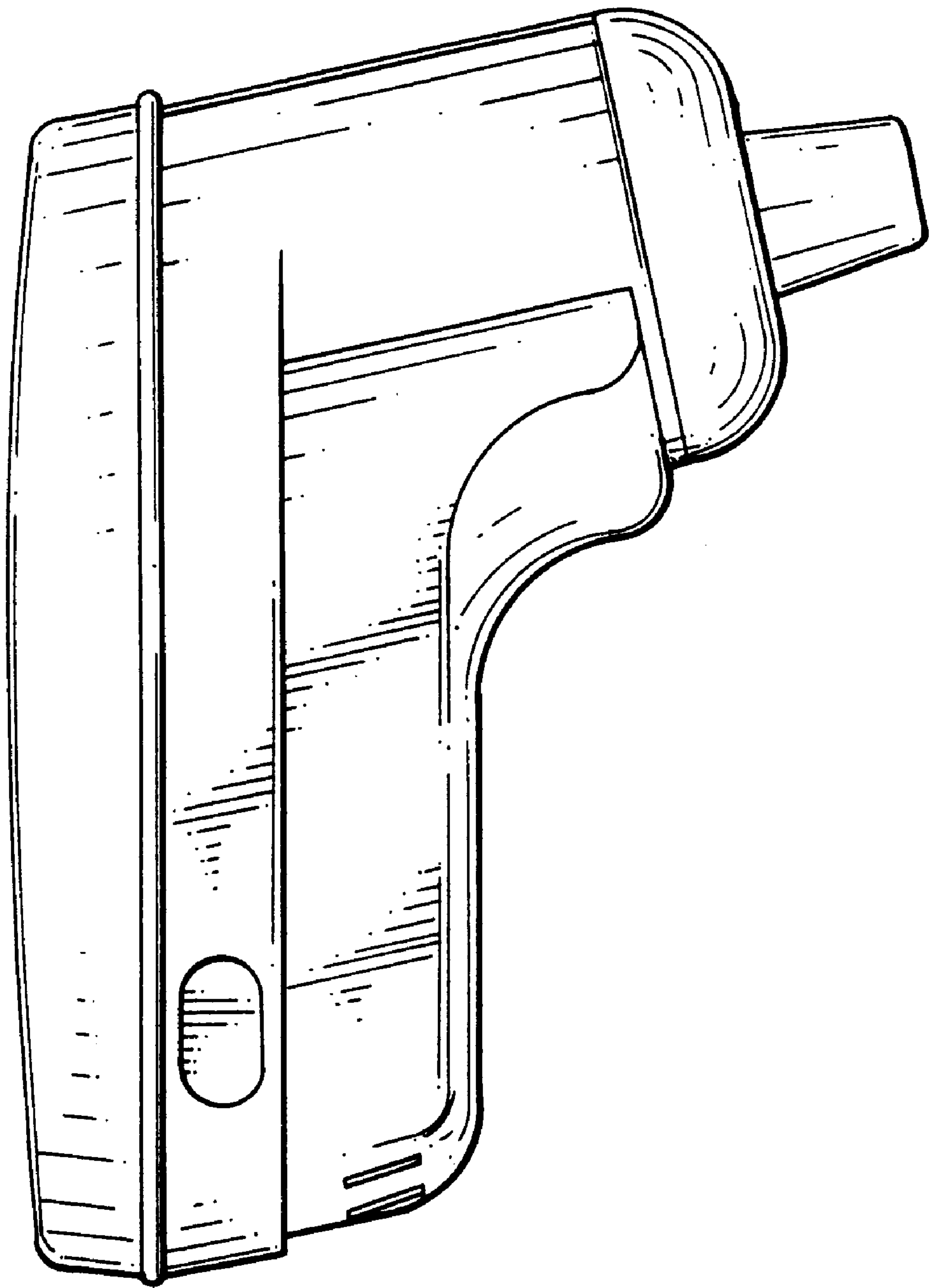


Fig. 2

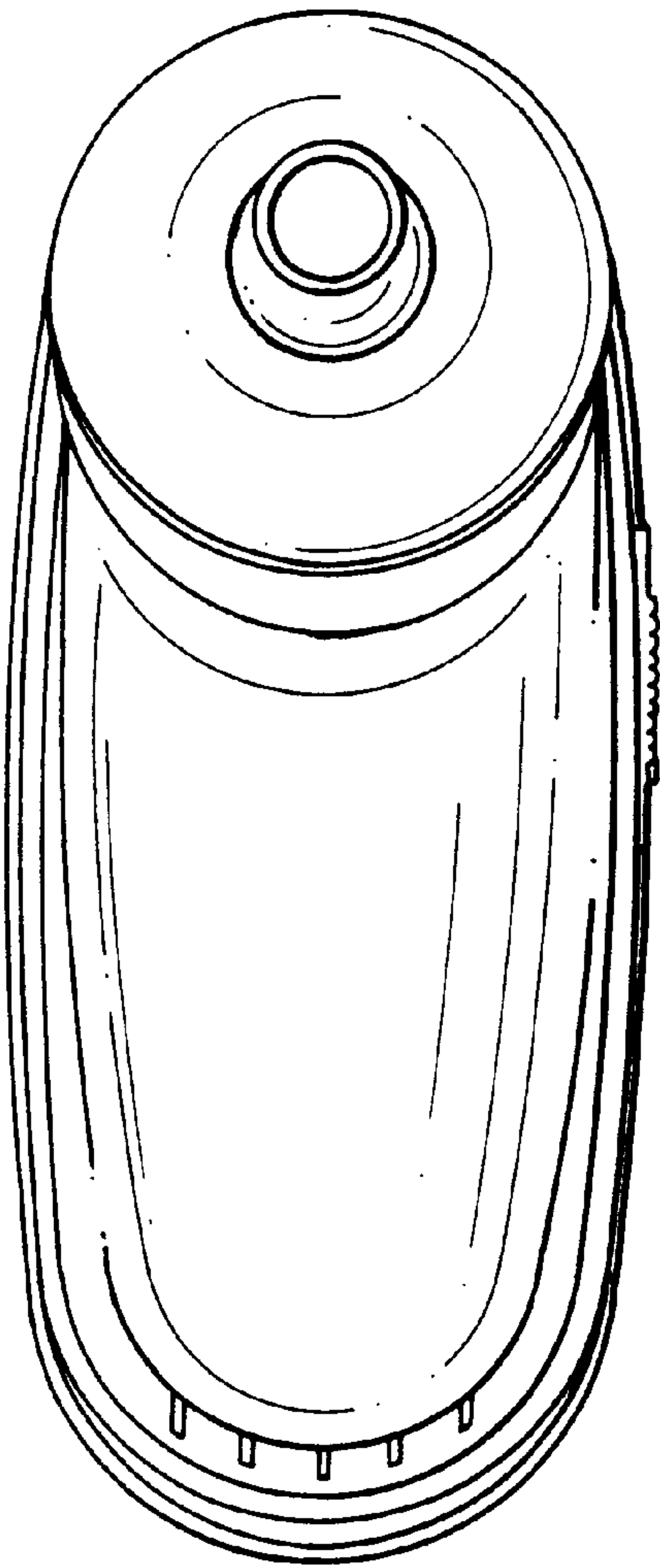


Fig. 3

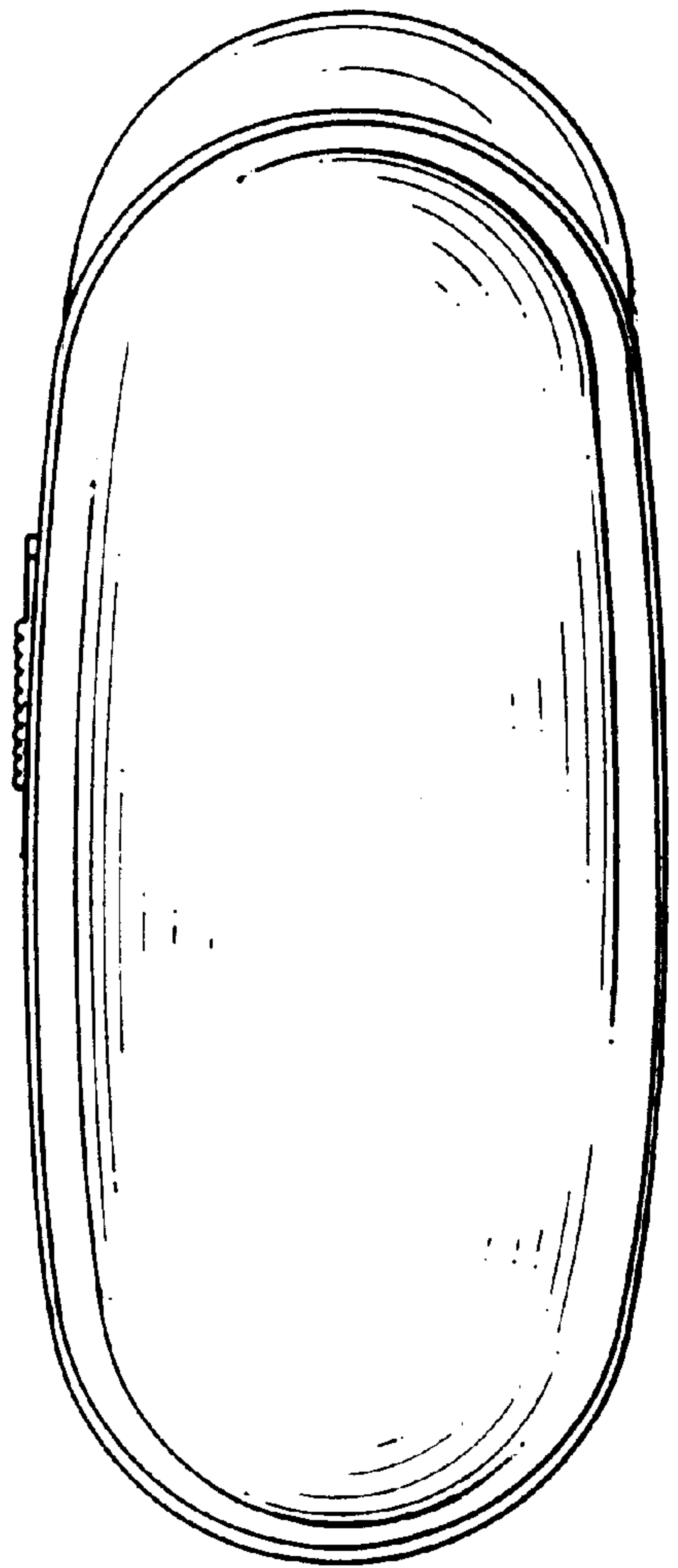


Fig. 4

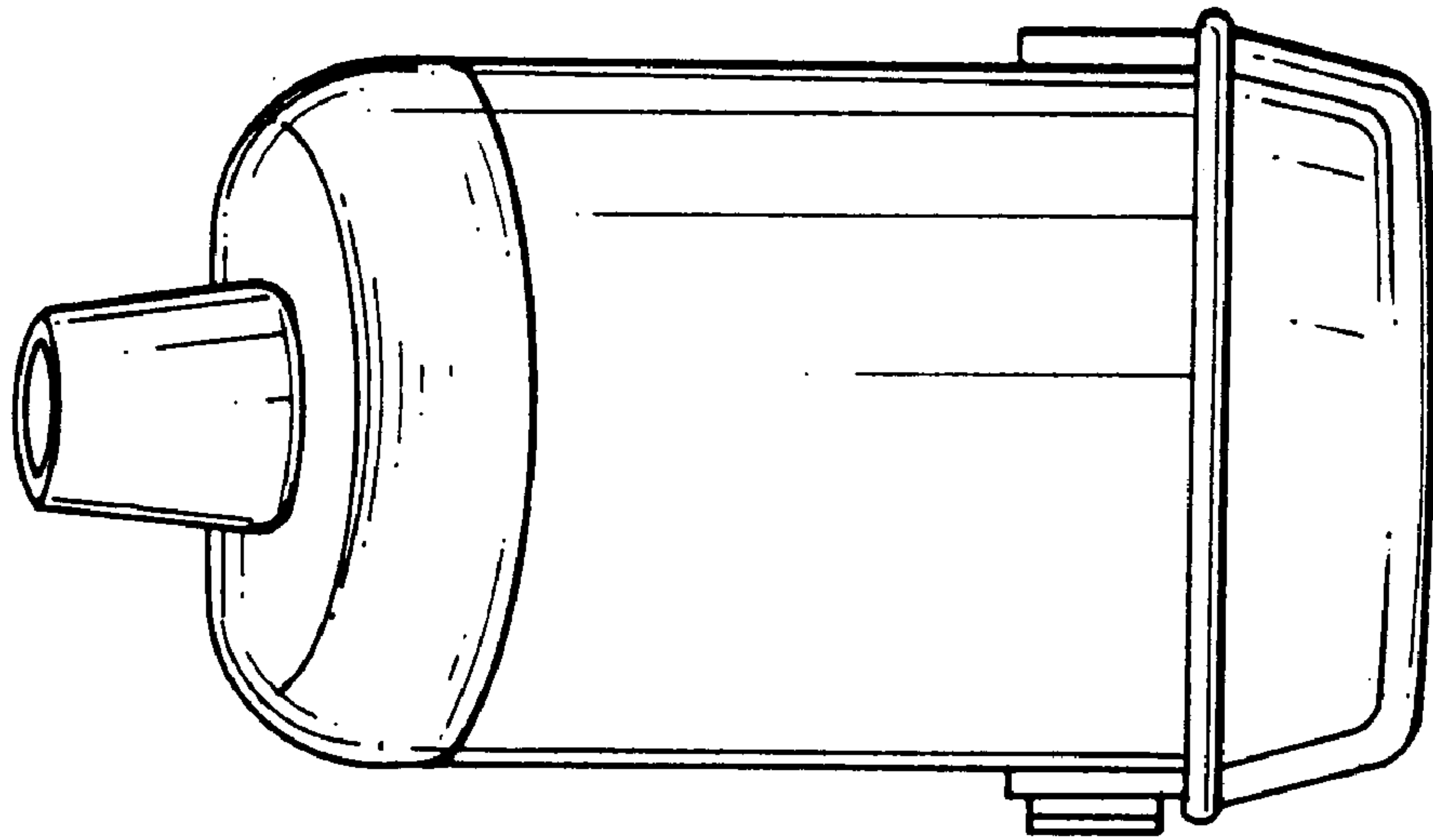


Fig. 5

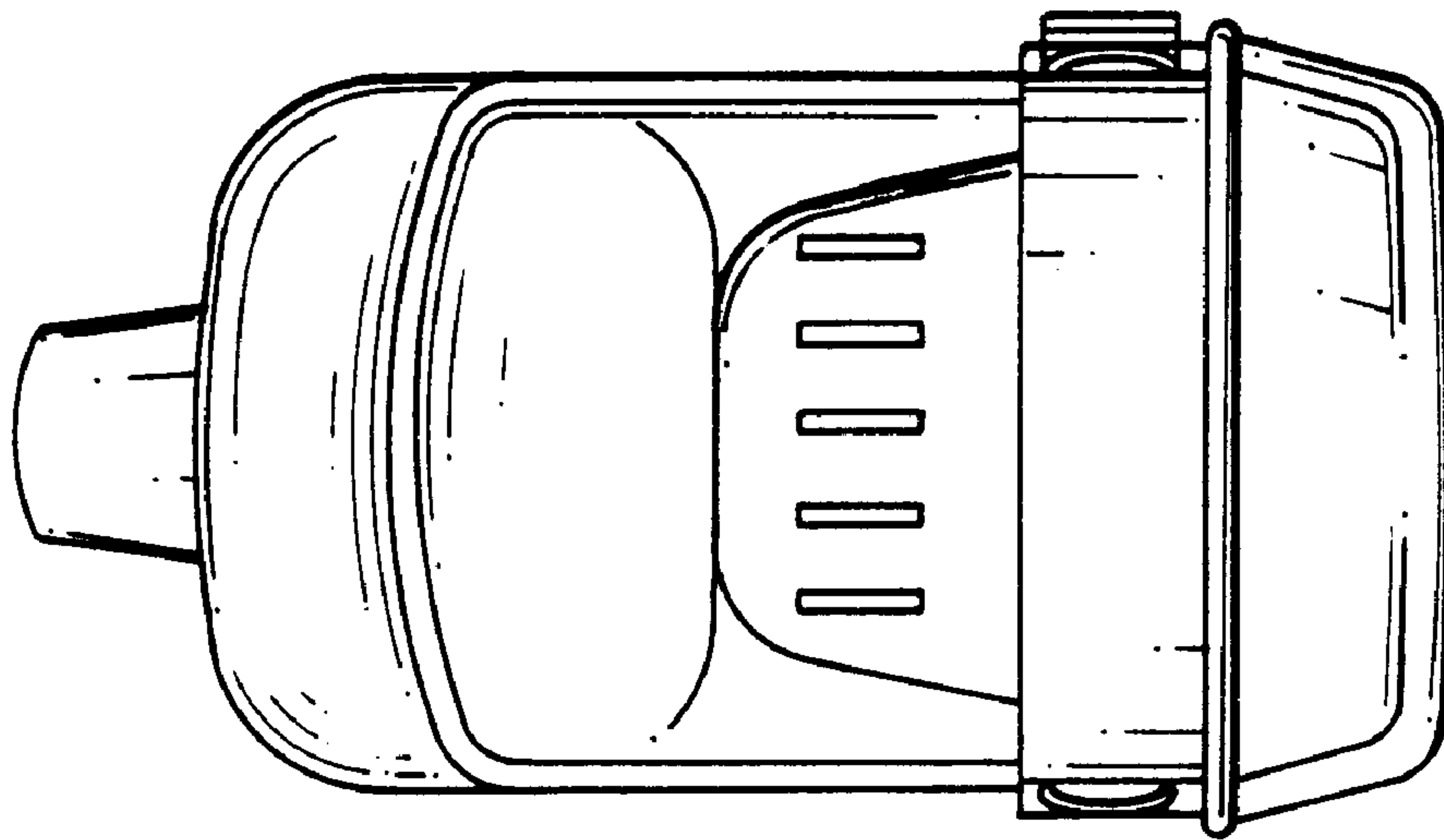


Fig. 6



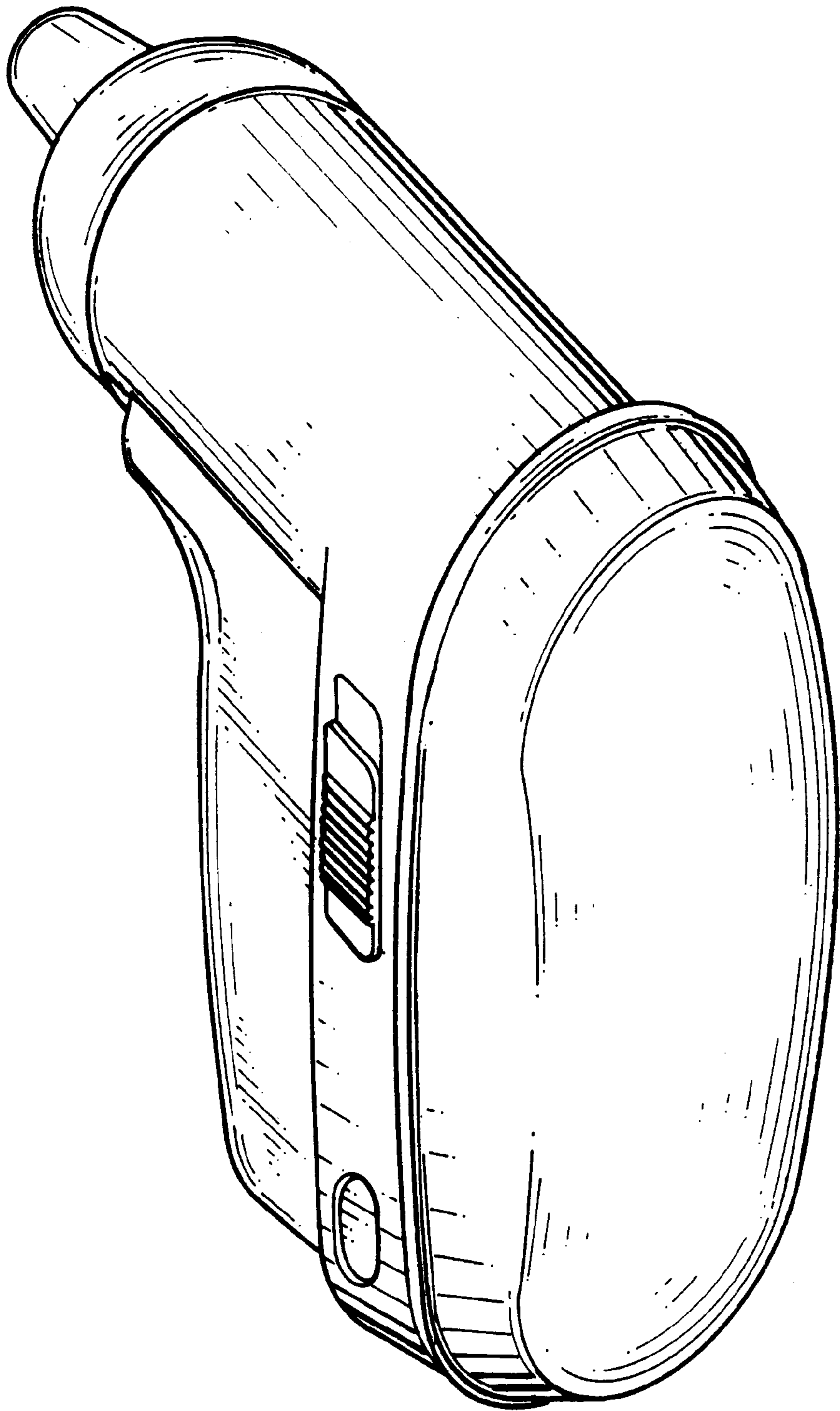


Fig. 7