



US00D421512S

United States Patent [19] Campbell

[11] Patent Number: Des. 421,512

[45] Date of Patent: ** Mar. 7, 2000

[54] AUTOMATIC SWIMMING POOL CLEANER

[75] Inventor: Sanford F. Campbell, Redding, Calif.

[73] Assignee: Letro Products, Inc., Redding, Calif.

[**] Term: 14 Years

[21] Appl. No.: 29/062,694

[22] Filed: Nov. 21, 1996

[51] LOC (6) Cl. 15-05

[52] U.S. Cl. D32/1

[58] Field of Search D32/1, 15, 21;
15/1.7; 180/1 R, 7 J; 210/169, 416.2, 460;
55/368, 370, 381

[56] **References Cited**

U.S. PATENT DOCUMENTS

D. 304,505	11/1989	Maier et al.	D32/1
D. 325,452	4/1992	Gefter	D32/1
D. 358,235	5/1995	Brooks et al.	D32/1
D. 373,230	8/1996	Sebor et al.	D32/1
D. 376,450	12/1996	Campbell	D32/1
D. 384,782	10/1997	Gefter	D32/1
3,822,754	7/1974	Henkin et al. .	
4,558,479	12/1985	Greskovict et al. .	
4,618,420	10/1986	Alanis	210/169
5,001,800	3/1991	Parenti et al.	15/1.7
5,351,355	10/1994	Chinaira	15/1.7
5,507,058	4/1996	Minami et al.	15/1.7
5,603,135	2/1997	Jones et al. .	

Primary Examiner—Ruth McInroy
Attorney, Agent, or Firm—Fliesler, Dubb, Meyer & Lovejoy LLP

[57] **CLAIM**

The ornamental design for an automatic swimming pool cleaner, as shown and described.

DESCRIPTION

FIG. 1 is a top, front perspective view of a automatic swimming pool cleaner showing our new design, with a collection bag, supply mast and float shown in broken lines; FIG. 2 is a front elevational view thereof; FIG. 3 is a rear elevational view thereof; FIG. 4 is a side elevational view thereof, the opposite side being a mirror image; FIG. 5 is a top plan view thereof; FIG. 6 is a bottom plan view thereof; FIG. 7 is a top, front perspective view of an second embodiment thereof with a collection bag, supply mast and float shown in broken lines; FIG. 8 is a front elevational view of FIG. 7; FIG. 9 is a rear elevational view of FIG. 7; FIG. 10 is a side elevational view of FIG. 7, the opposite side being a mirror image; FIG. 11 is a top plan view of FIG. 7; and, FIG. 12 is a bottom plan view of FIG. 7. The portions shown in broken lines in FIGS. 1 and 7 are for illustrative purposes only and form no part of the claimed design.

1 Claim, 12 Drawing Sheets

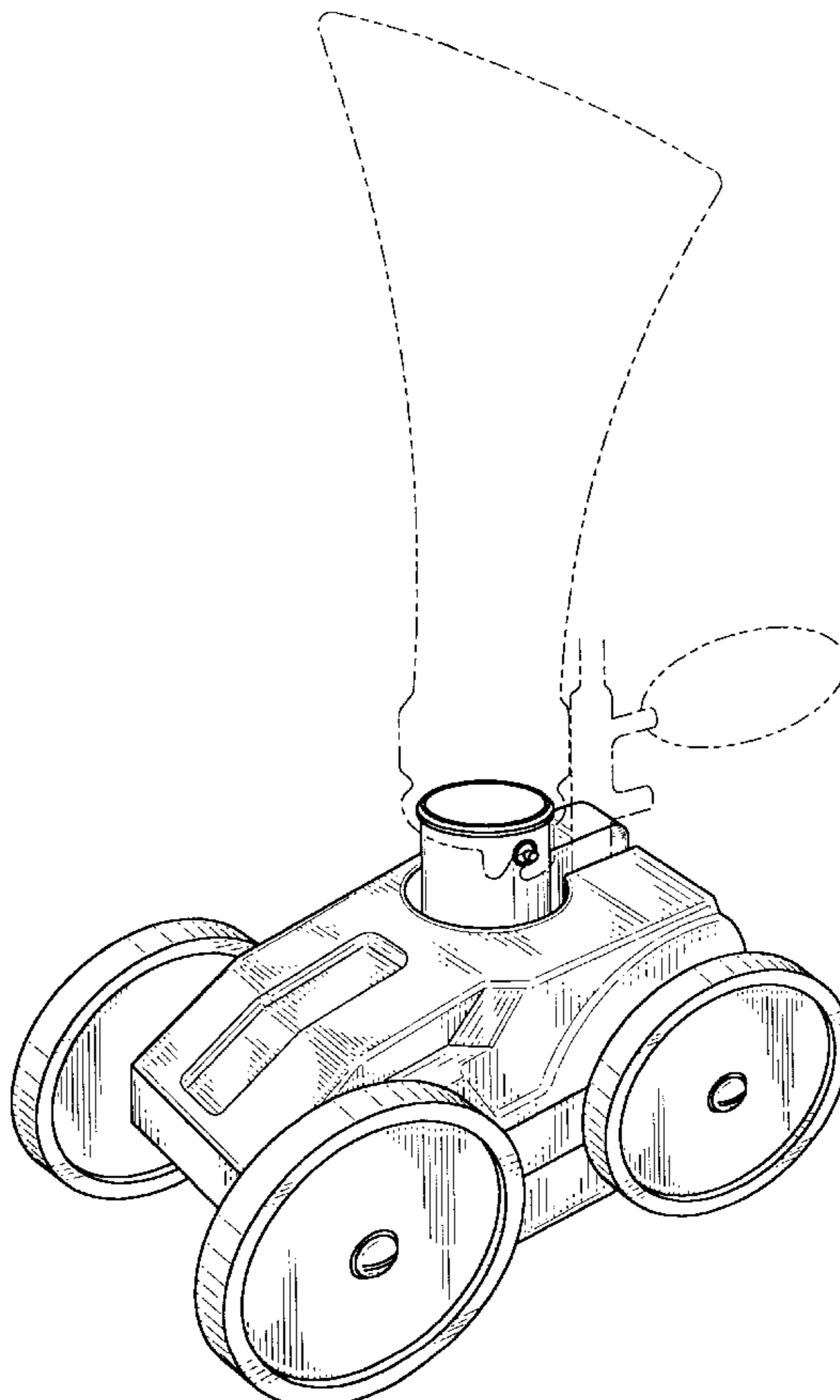
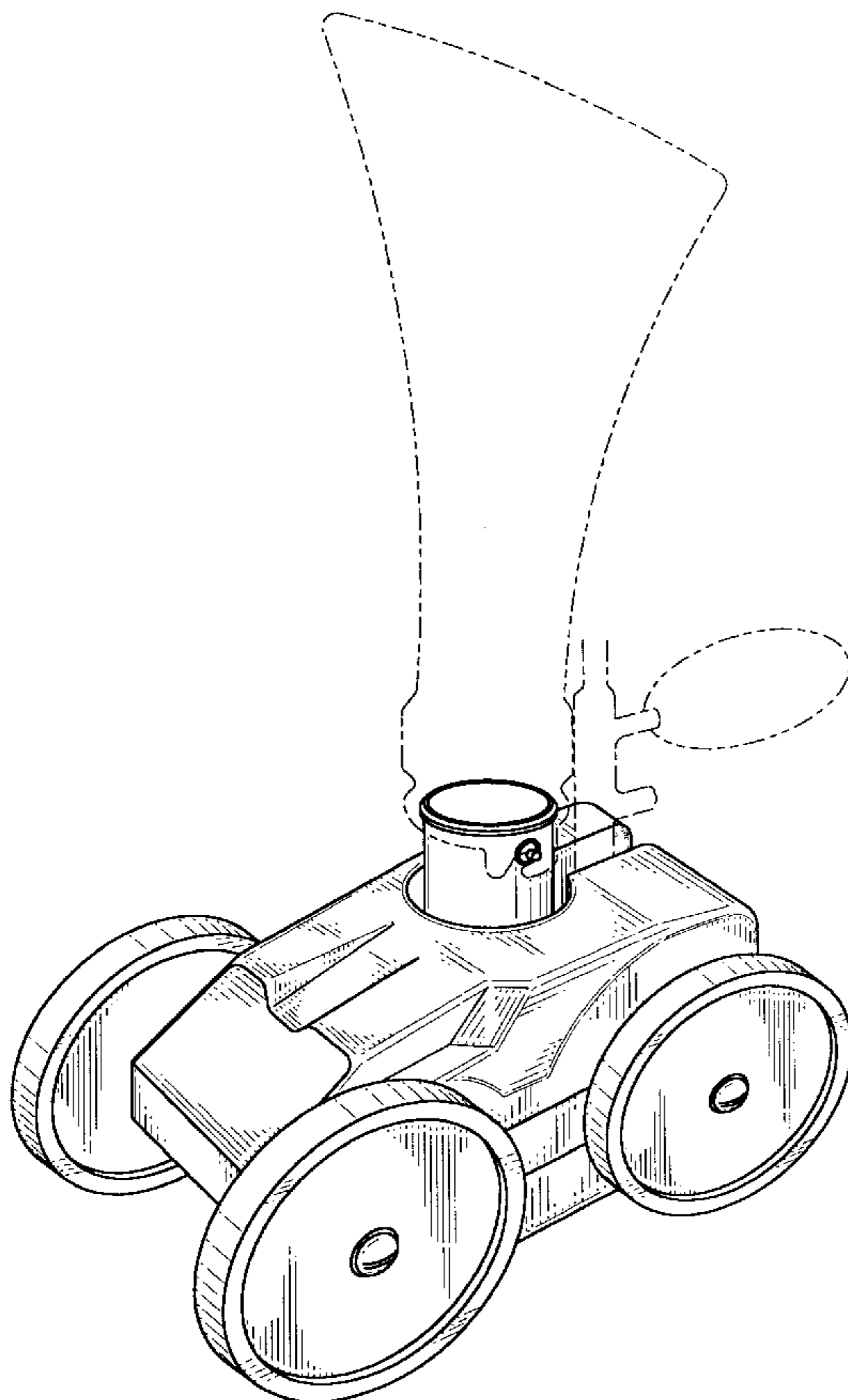
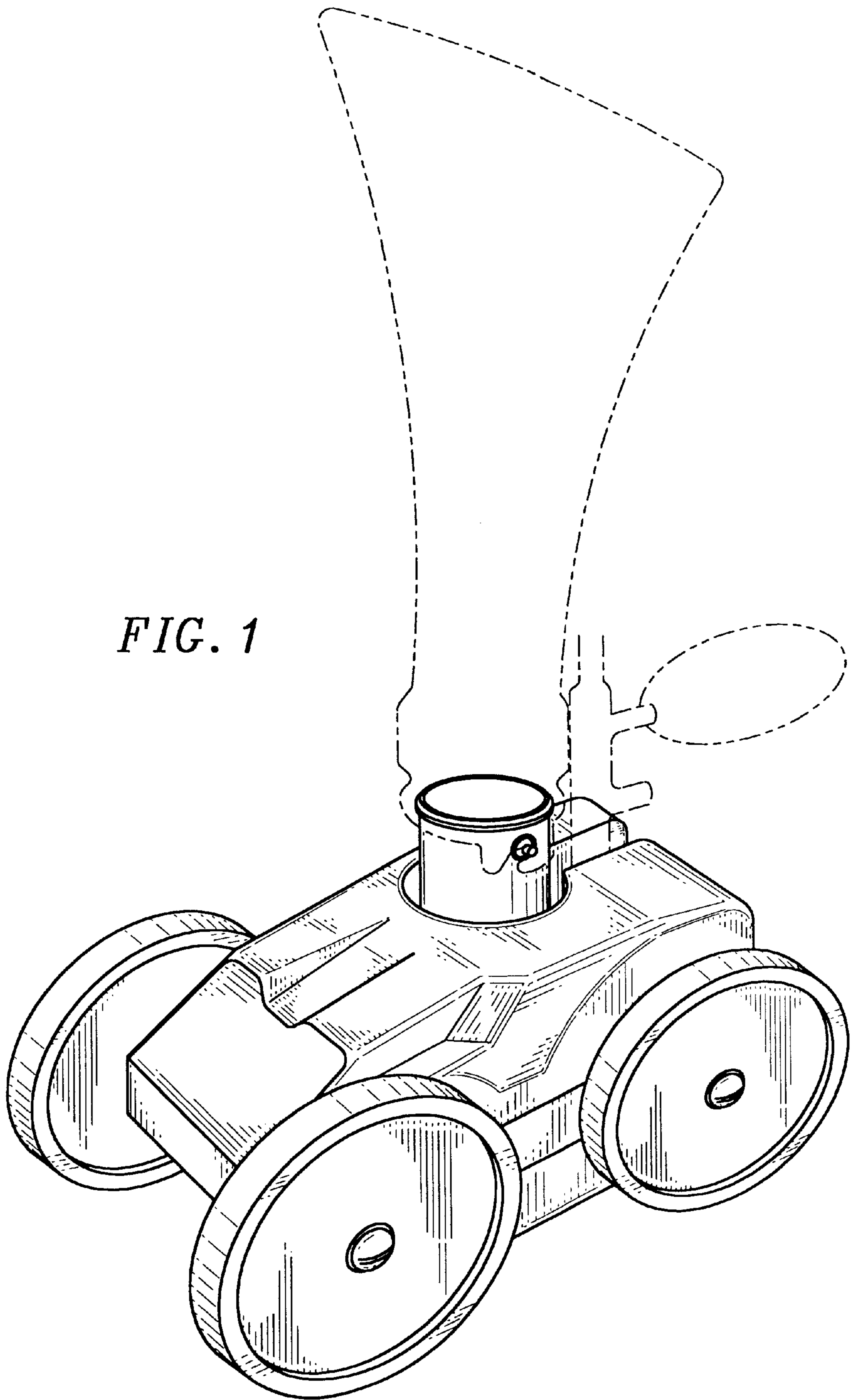


FIG. 1



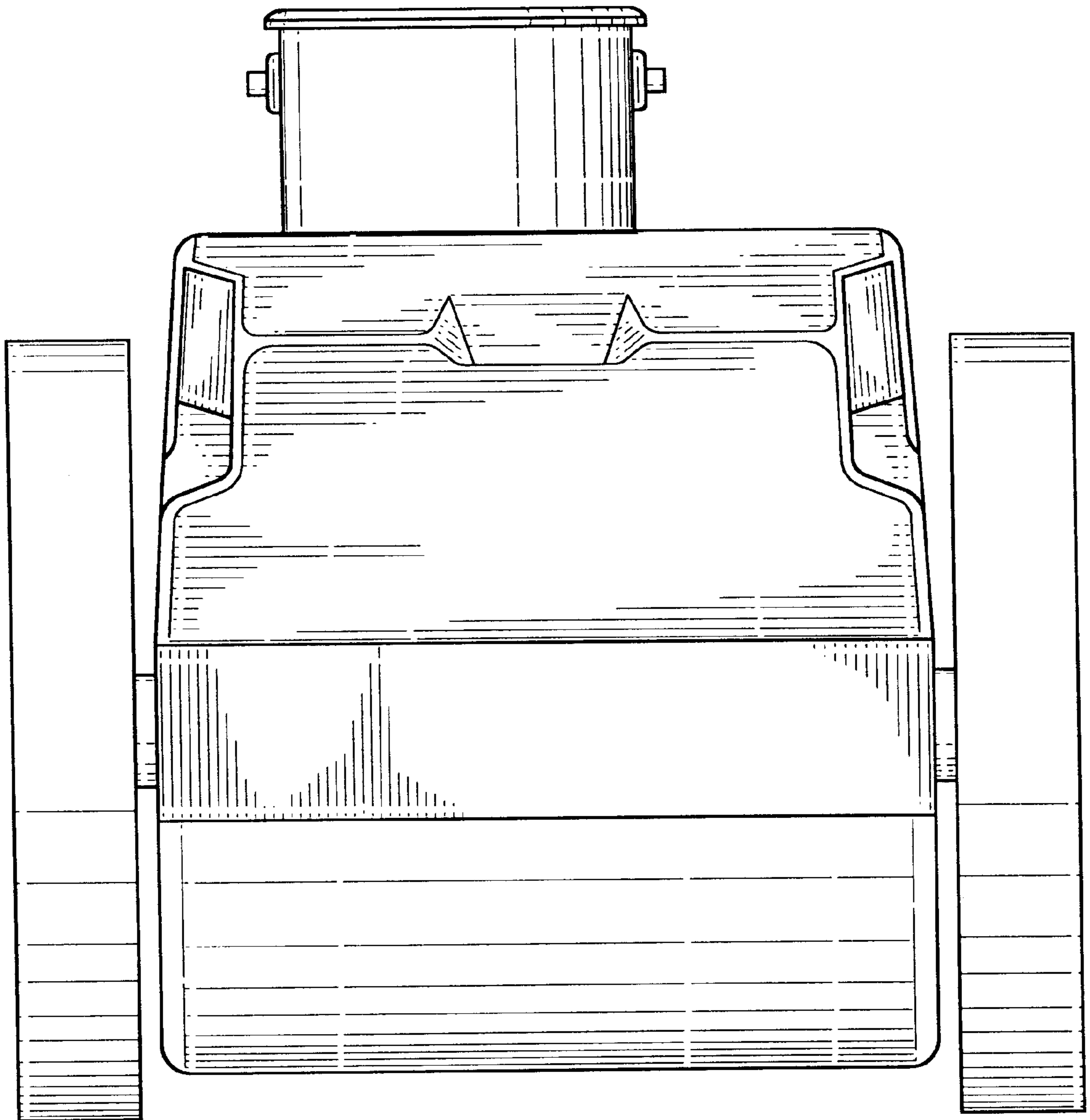


FIG. 2

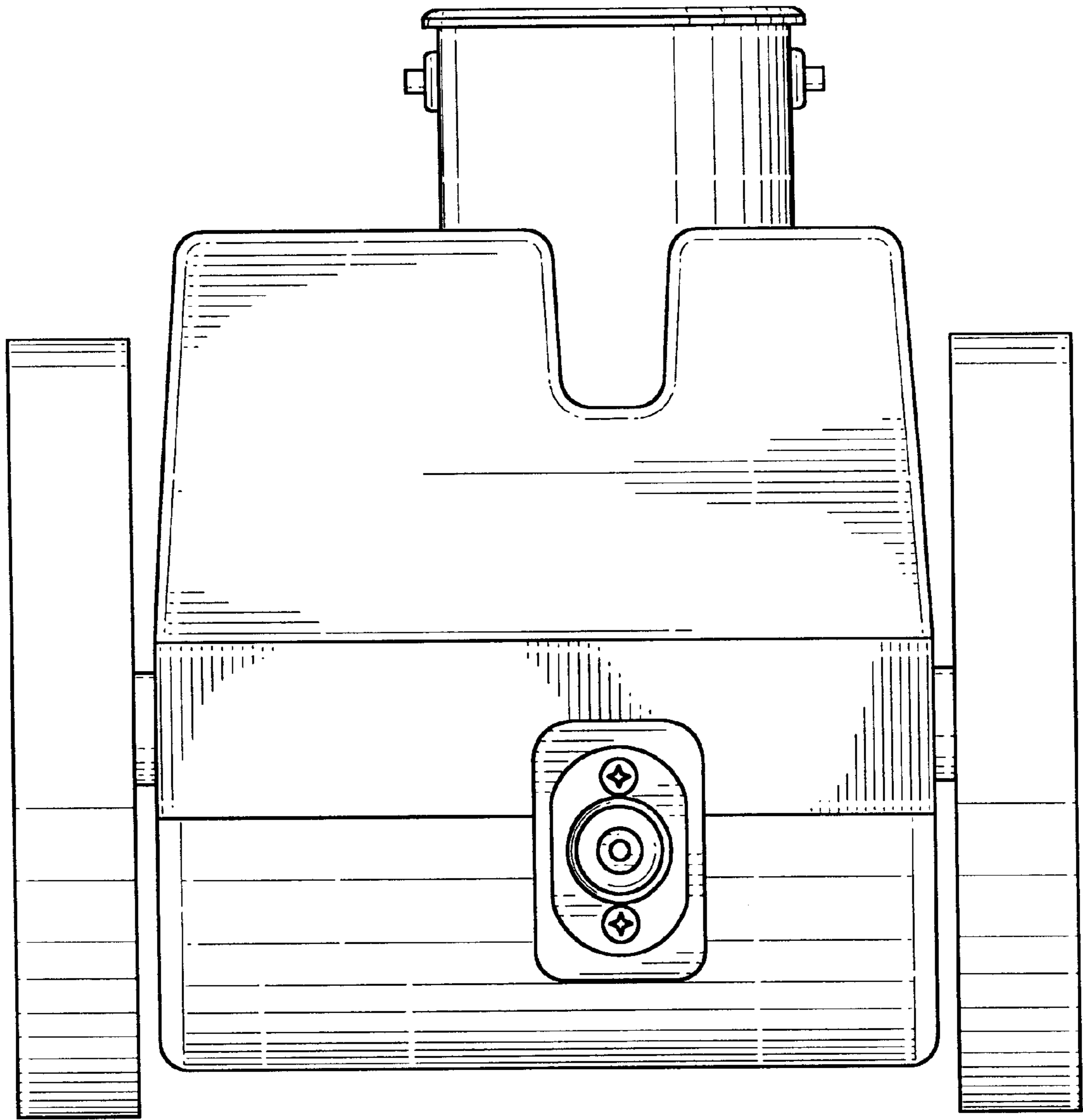


FIG. 3

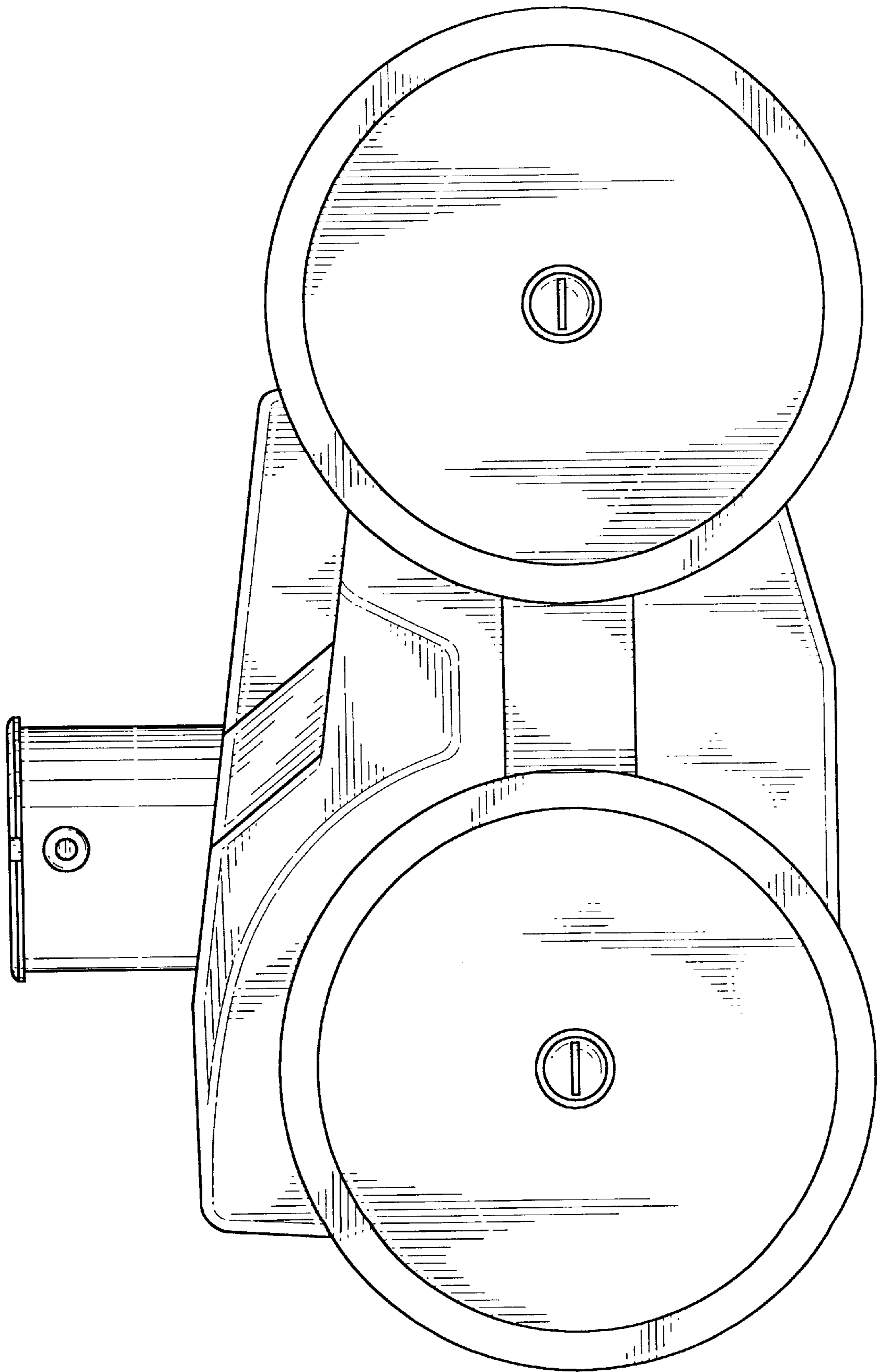


FIG. 4

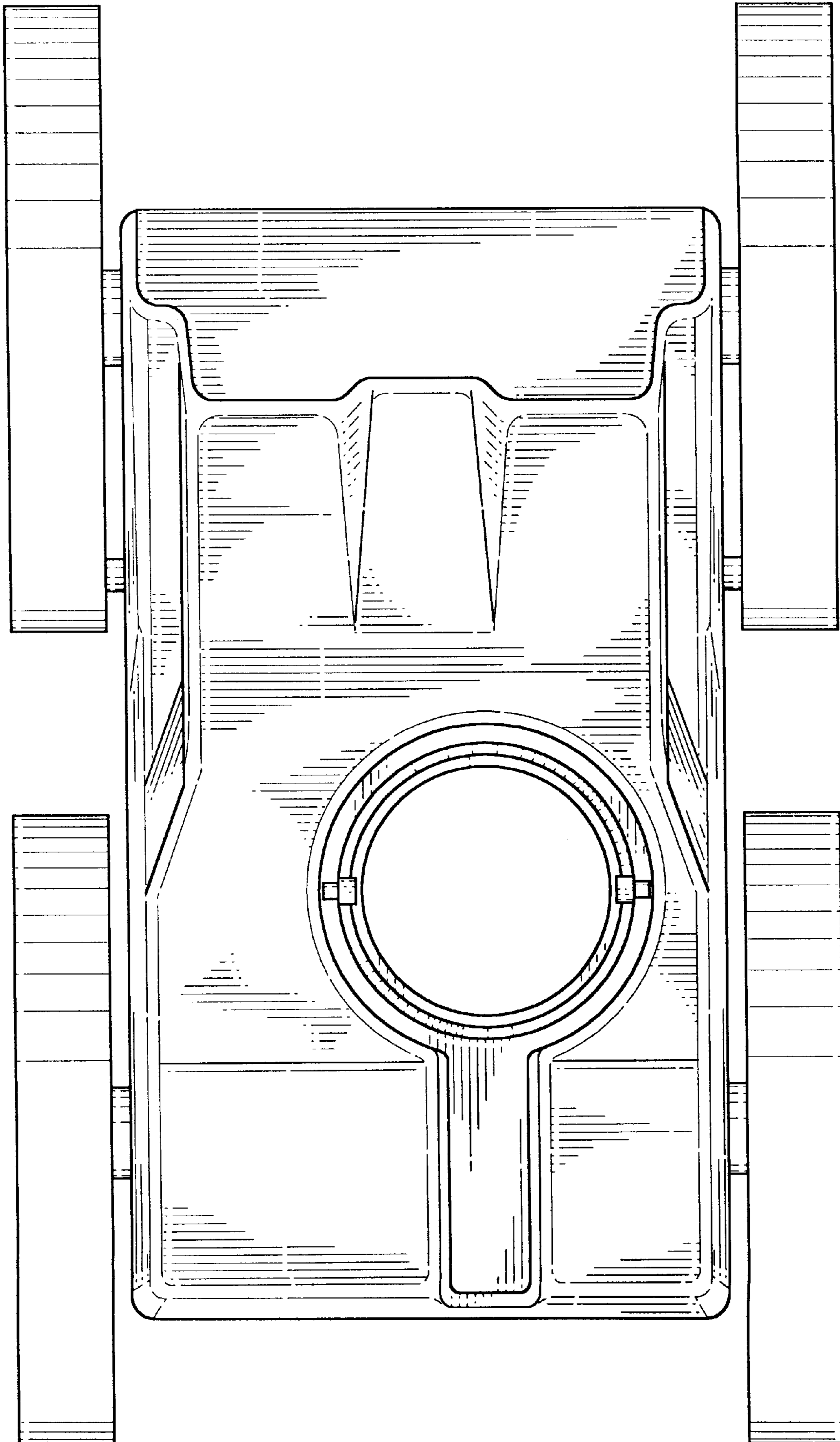


FIG. 5

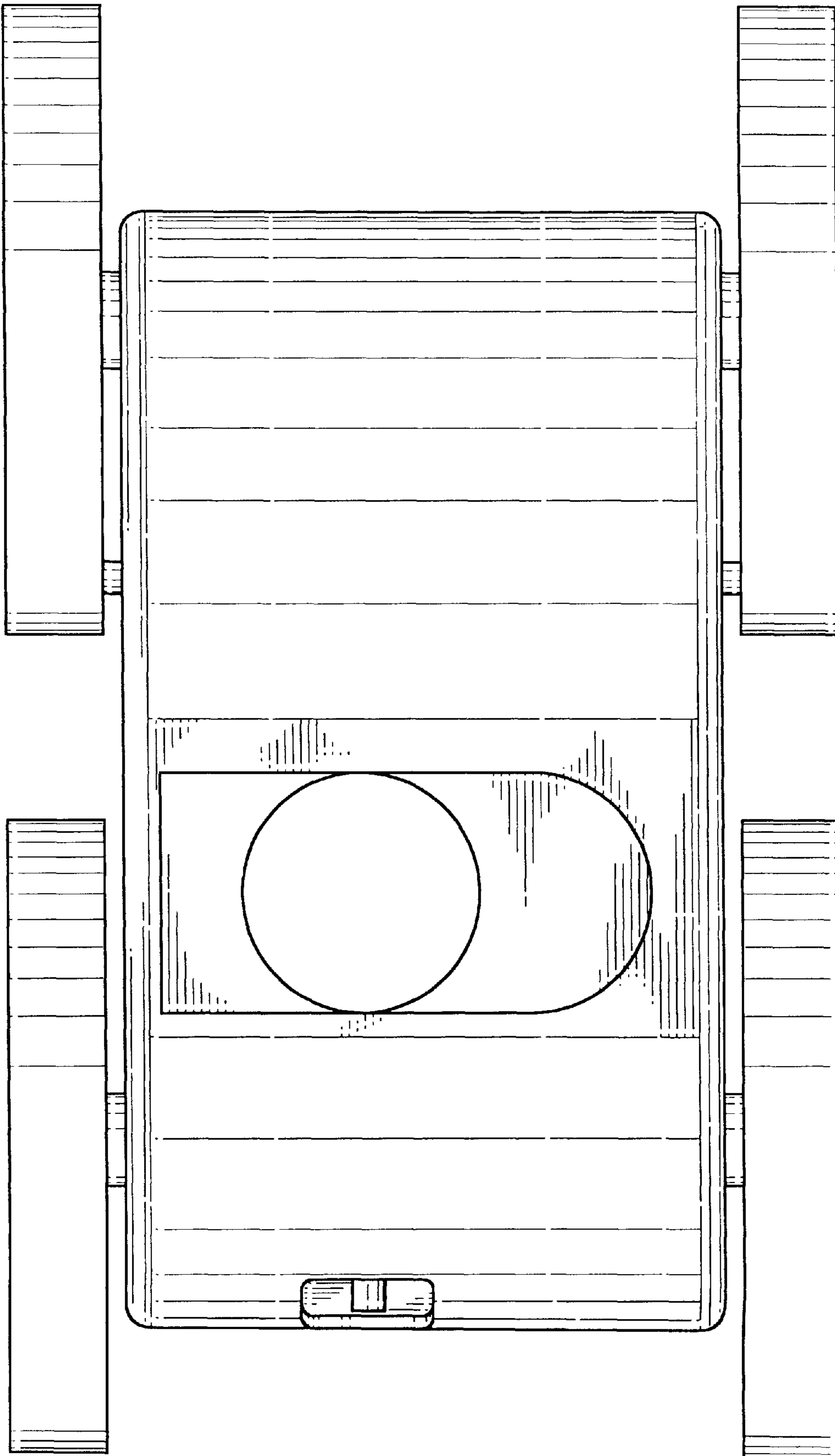
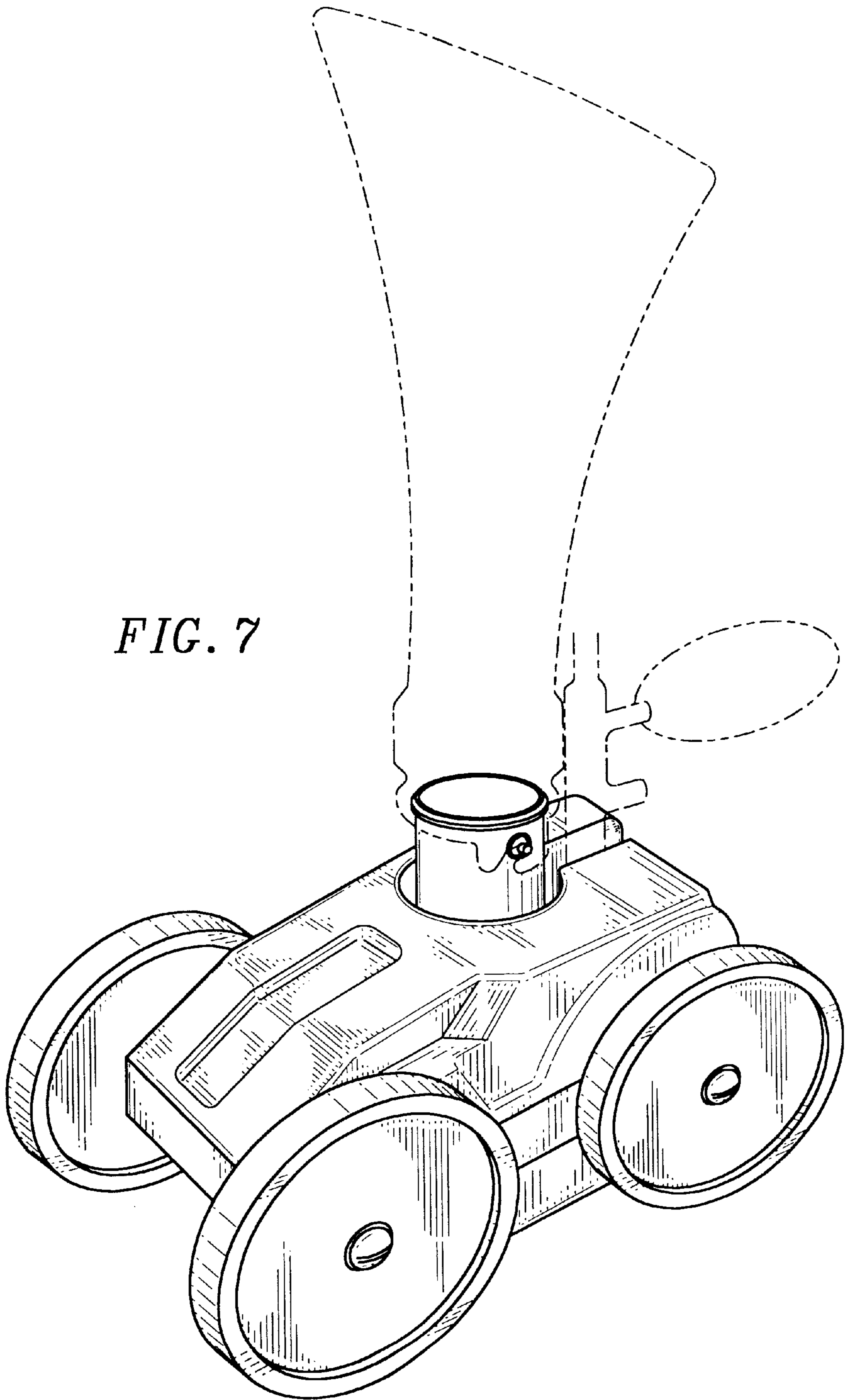


FIG. 6

FIG. 7



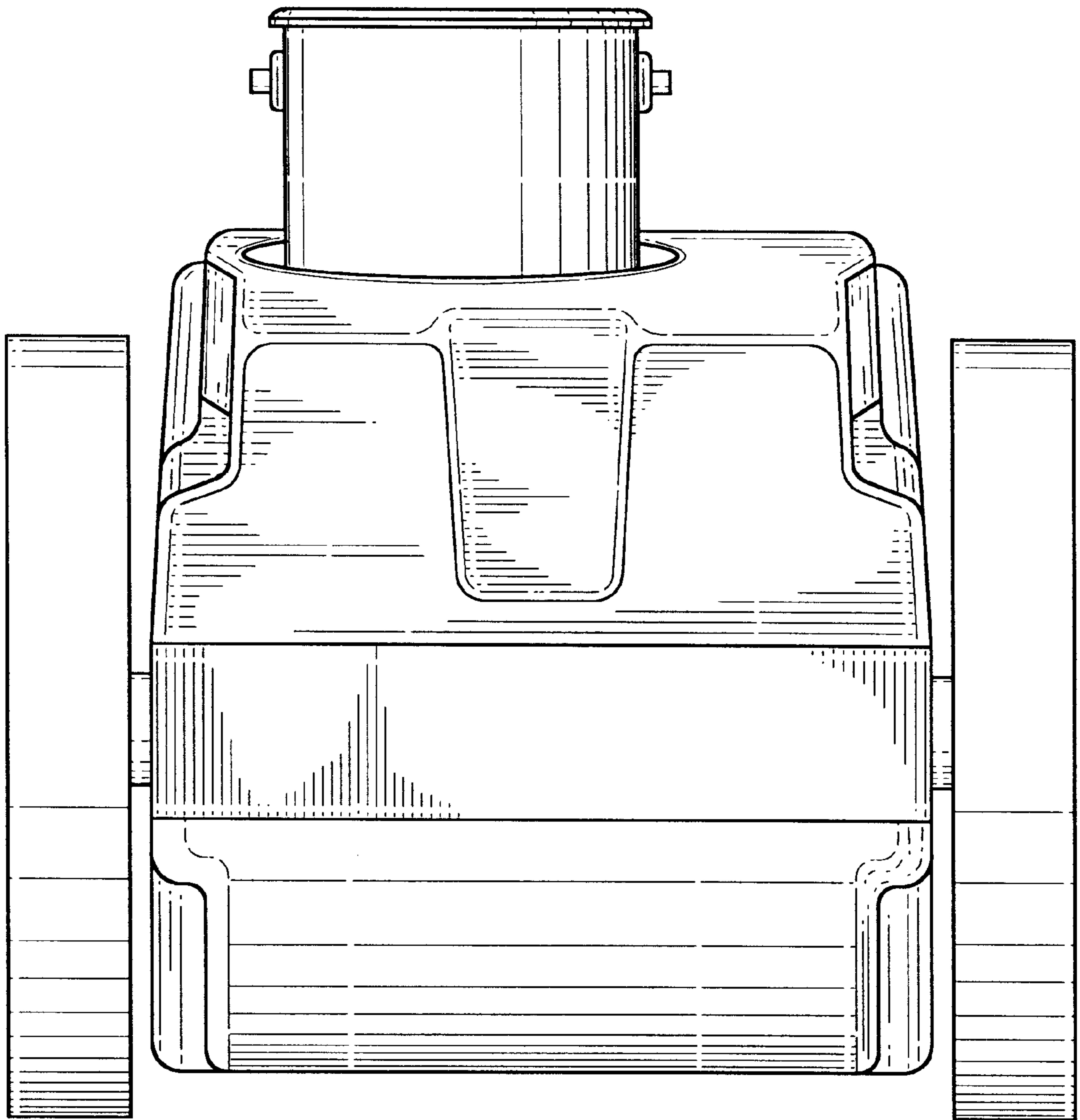


FIG. 8

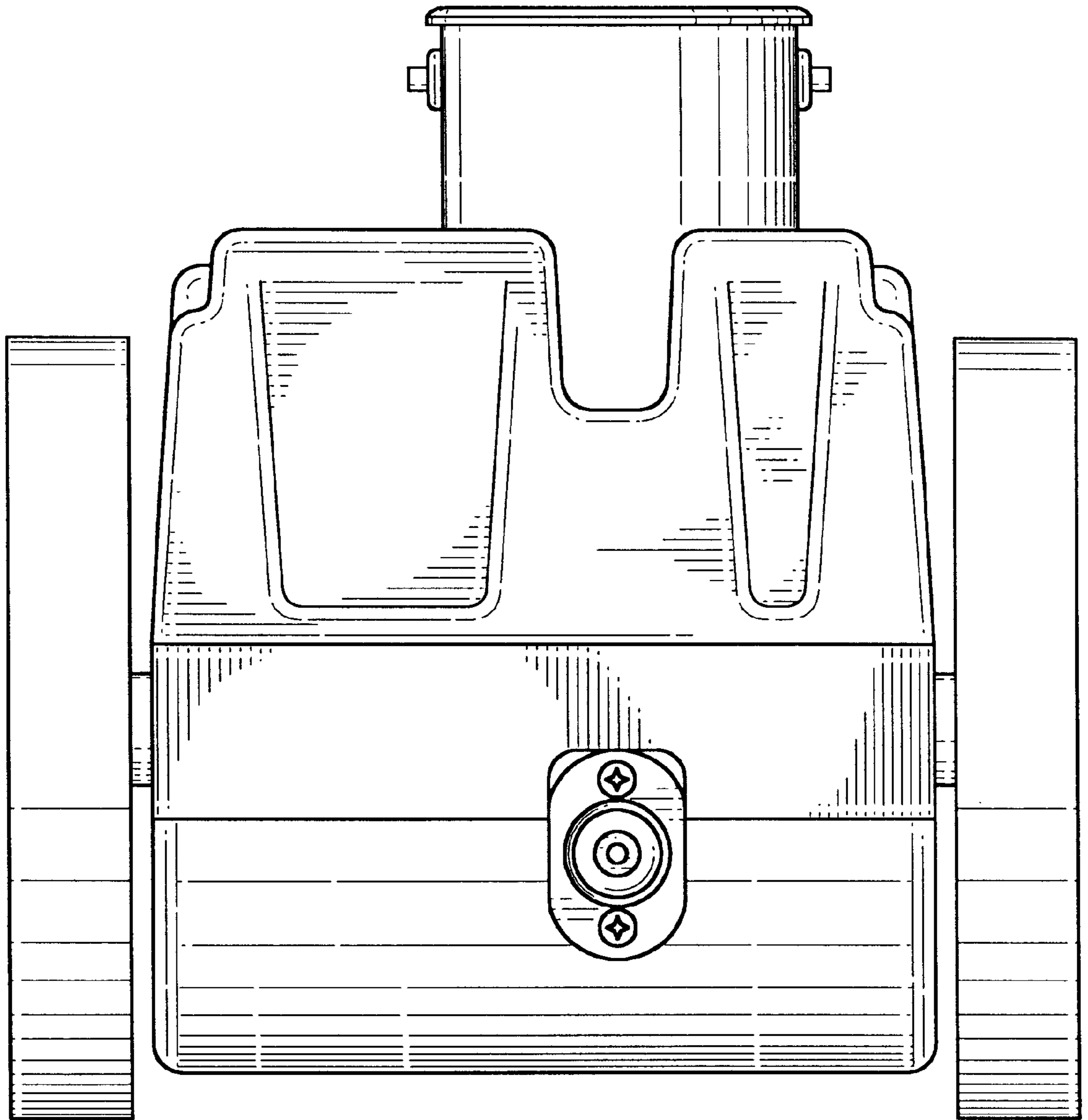


FIG. 9

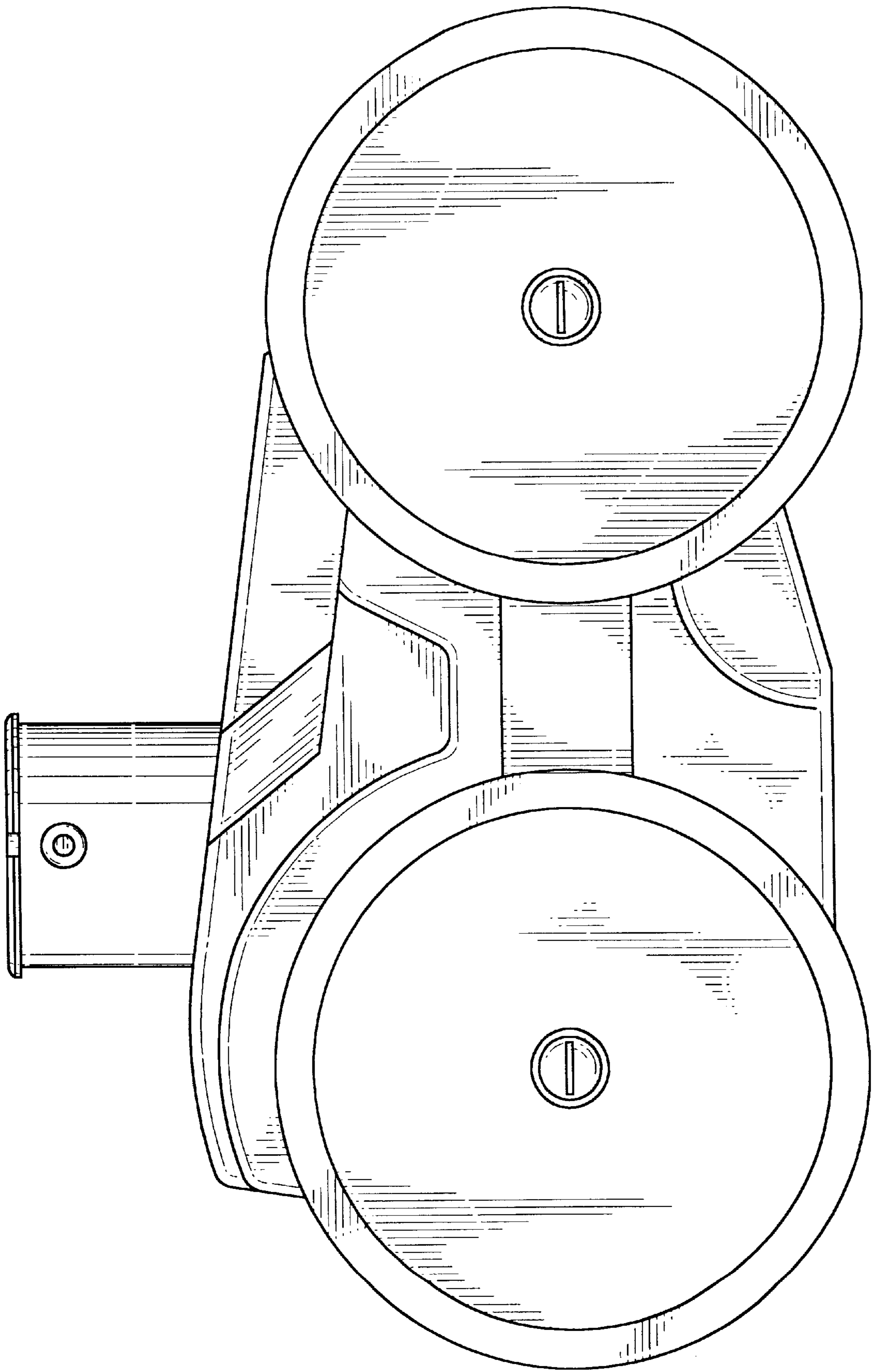


FIG. 10

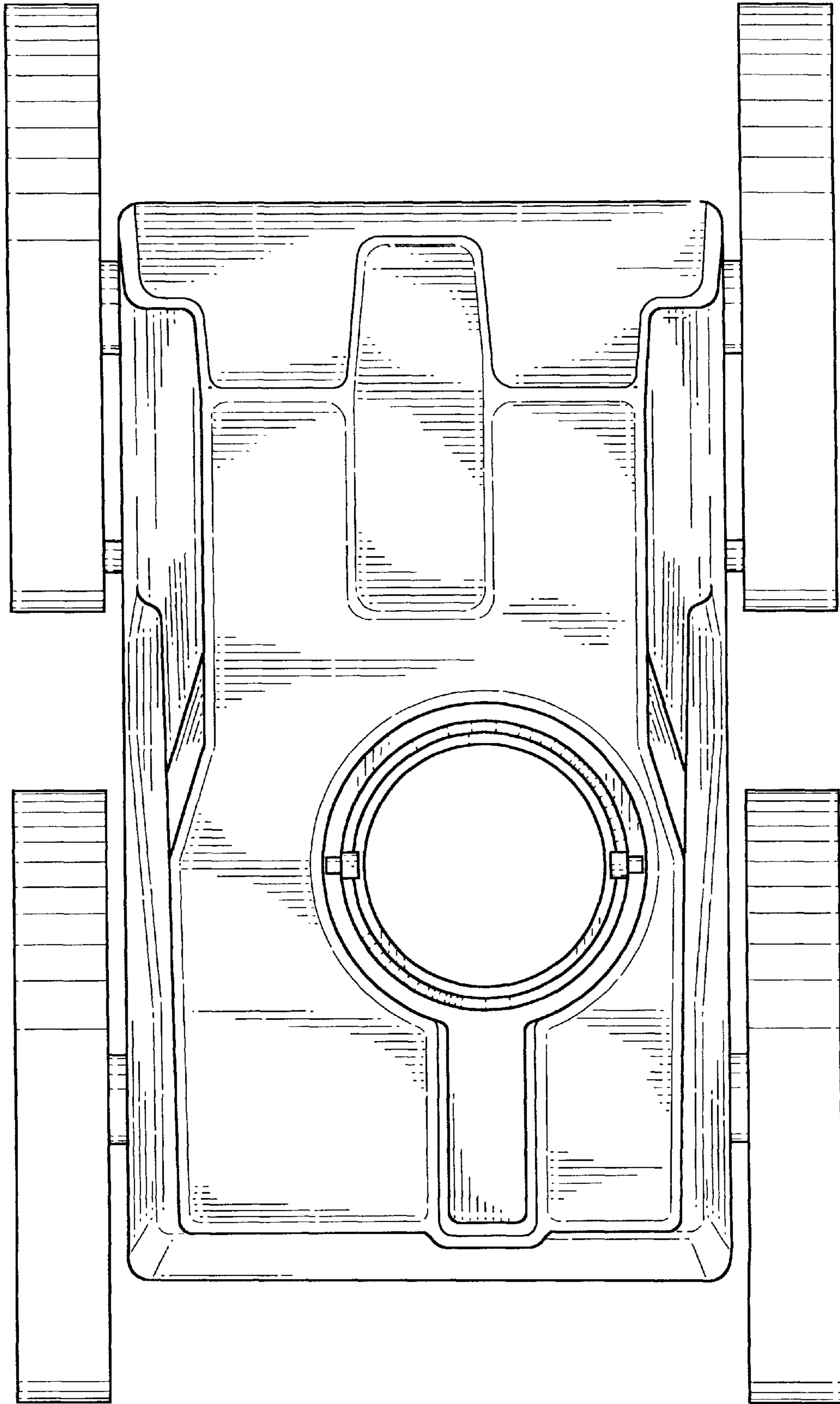


FIG. 11

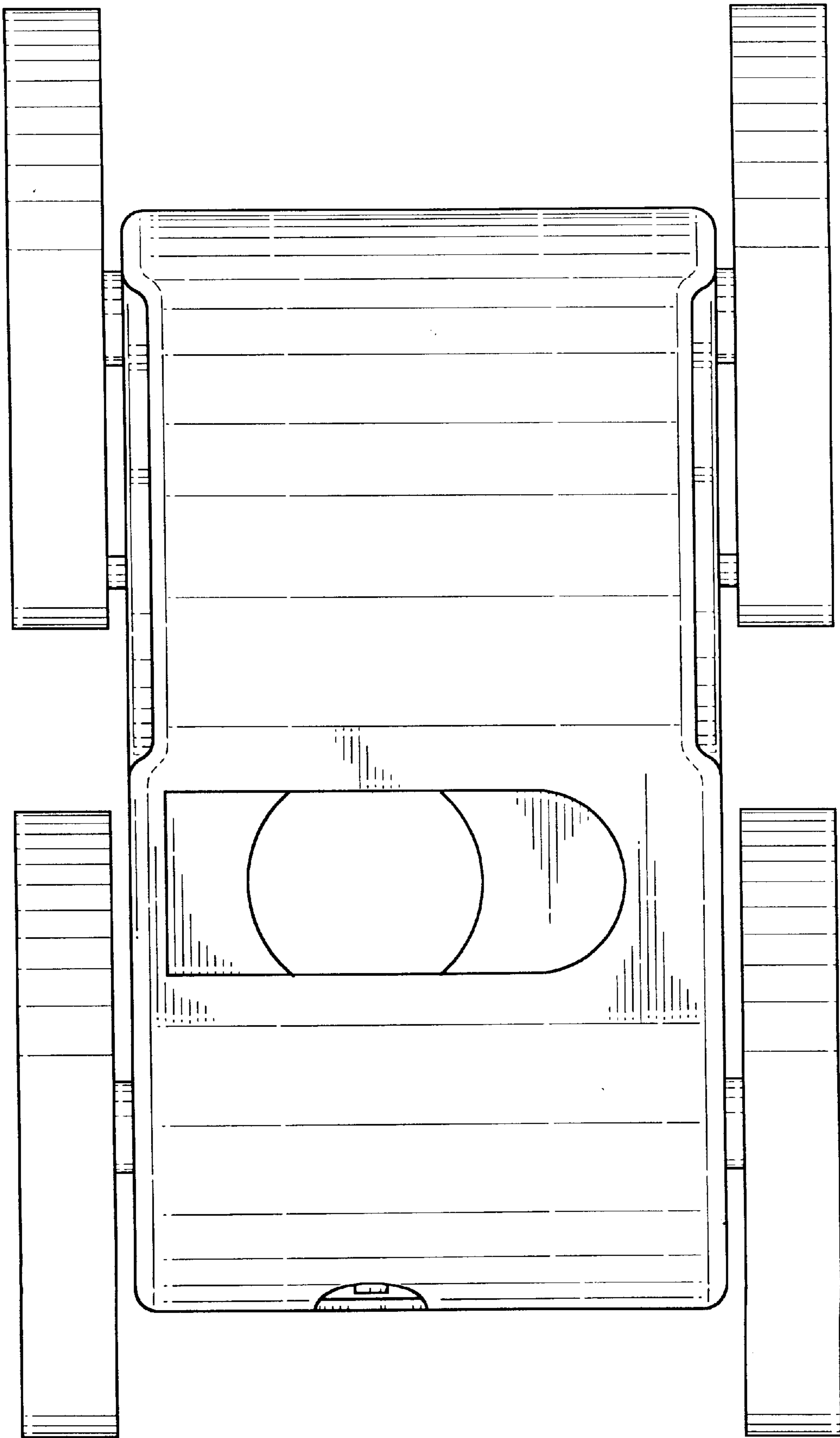


FIG. 12