



US00D421505S

United States Patent [19]

[11] Patent Number: Des. 421,505

Hastings et al.

[45] Date of Patent: ** Mar. 7, 2000

[54] LIGHTING FIXTURE

[75] Inventors: Mark J. Hastings, New Berlin, Wis.; Kevin Willmorth, Chino Hills, Calif.

[73] Assignee: Visa Lighting Corporation, Milwaukee, Wis.

[**] Term: 14 Years

[21] Appl. No.: 29/083,100

[22] Filed: Jan. 21, 1998

[51] LOC (6) Cl. 26-05

[52] U.S. Cl. D26/76

[58] Field of Search D26/72, 75, 76, D26/77, 78; 362/147, 404, 406, 217, 222, 223, 224, 225, 249, 252, 245, 246, 247

[56] References Cited

U.S. PATENT DOCUMENTS

D. 129,364	9/1941	Pracht	D26/78
D. 381,760	7/1997	Costa	D26/76
2,291,488	7/1942	Naysmith	362/222
2,421,967	6/1947	Schepmoes	362/223
4,246,629	1/1981	Marrero	362/147

Primary Examiner—Susan J. Lucas
Attorney, Agent, or Firm—Welsh & Katz, Ltd.

[57] CLAIM

The ornamental design for a lighting fixture, as shown and described.

DESCRIPTION

FIG. 1 is a perspective view of a lighting fixture of the claimed design;
 FIG. 2 is a right end view and a left end view of the lighting fixture of FIG. 1;
 FIG. 3 is top elevational view of the lighting fixture of FIG. 1 of the claimed design showing about one-half of the diffuser portion with roundels;
 FIG. 4 is a front elevational view of the lighting fixture of FIG. 1 of the claimed design showing a full view of the diffuser portion;
 FIG. 5 is a bottom elevational view of the lighting fixture of FIG. 1 of the claimed design showing about one-half of the diffuser without roundels;
 FIG. 6 is a back elevational view of the lighting fixture of FIG. 1;
 FIG. 7 is a perspective view of an alternate embodiment of a lighting fixture of the claimed design showing two rolled trim bars; and,
 FIG. 8 is a perspective view of an alternate embodiment of a lighting fixture of the claimed design showing flat end portions.

1 Claim, 2 Drawing Sheets

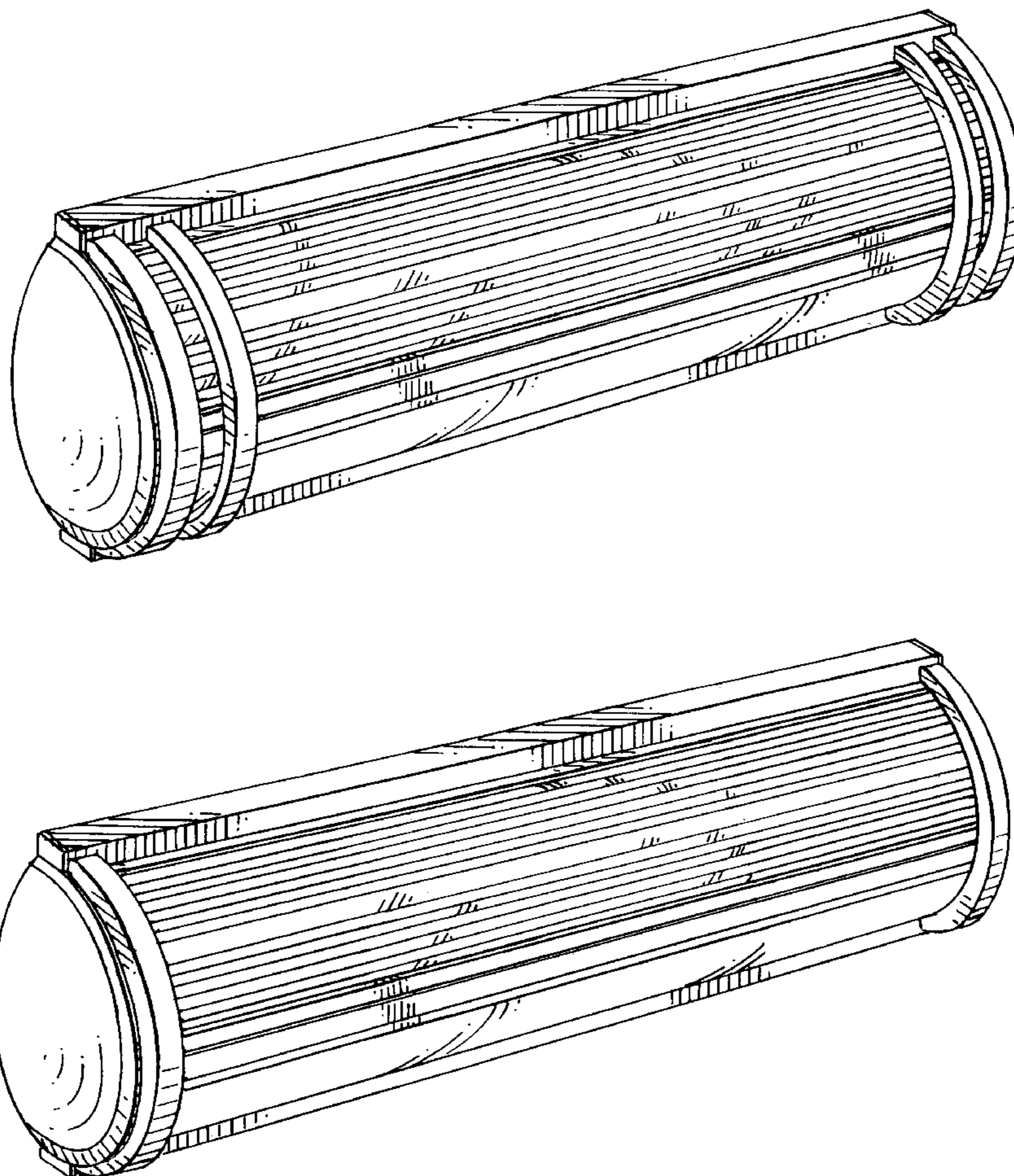


FIG. 1

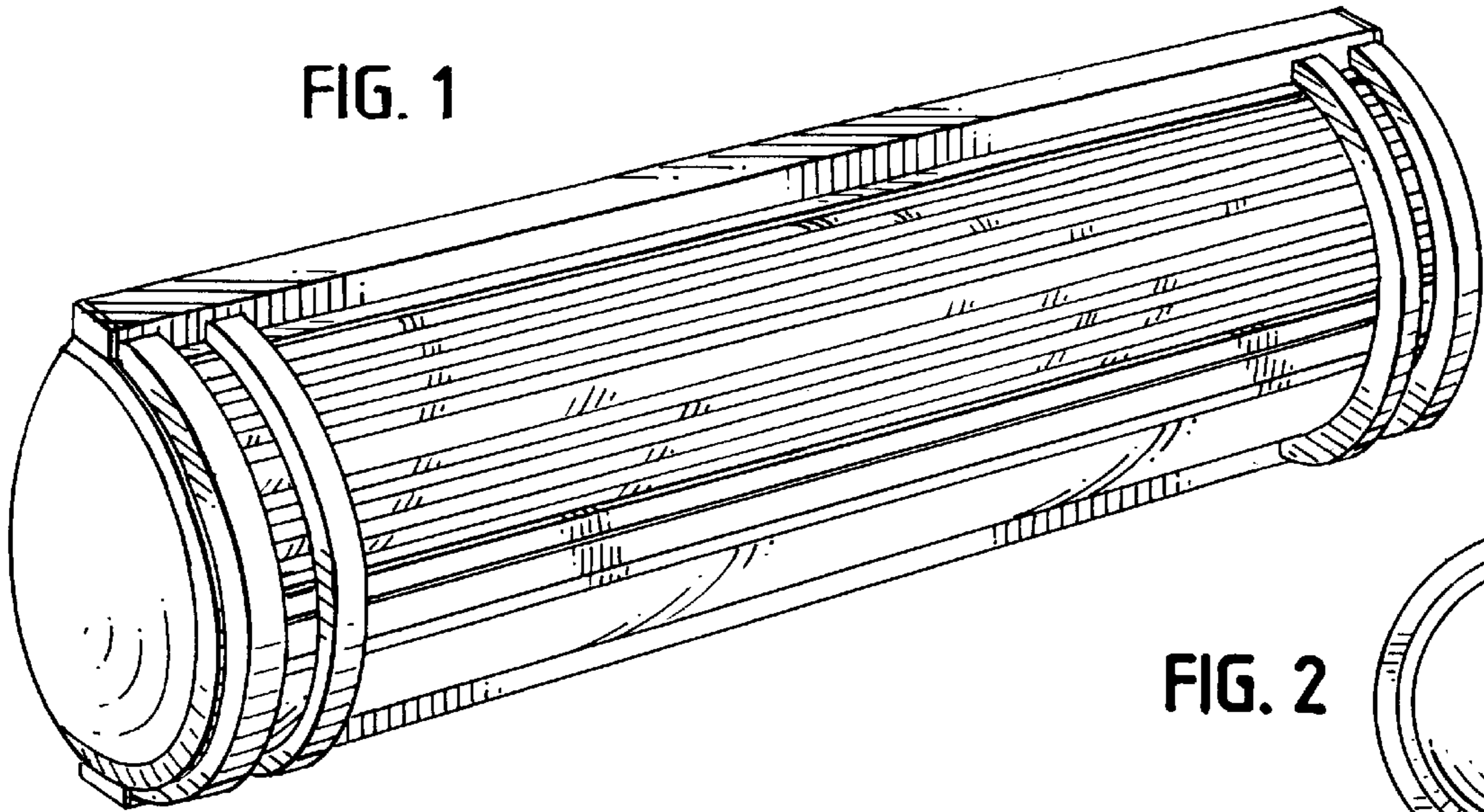


FIG. 2

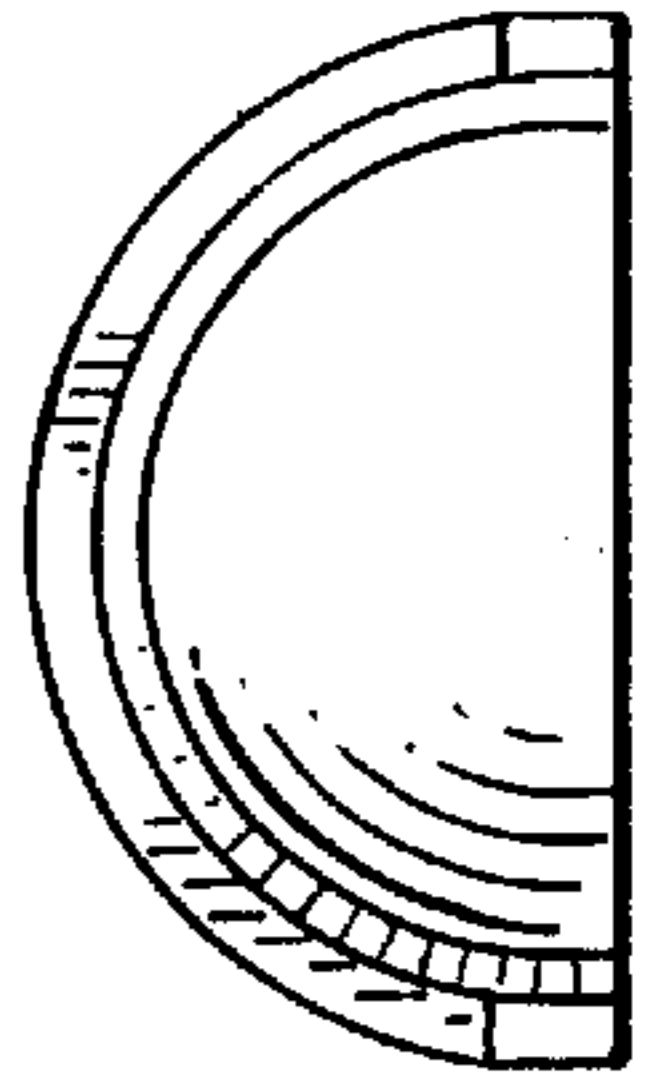


FIG. 3

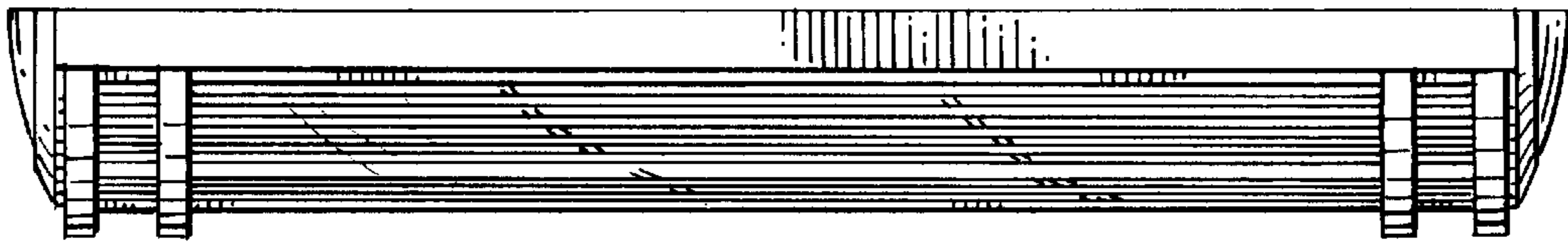


FIG. 4

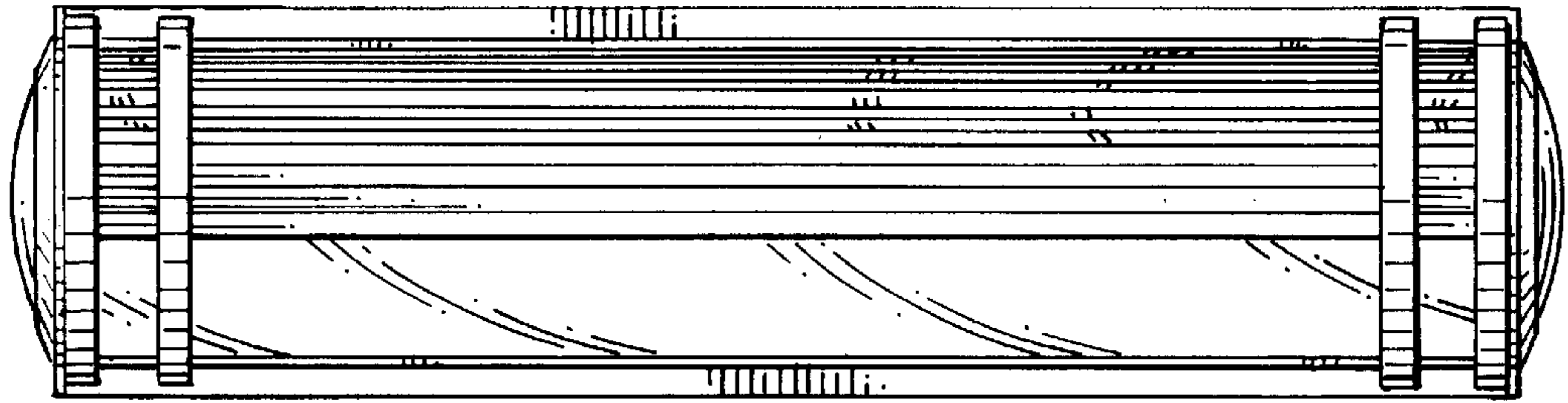


FIG. 5

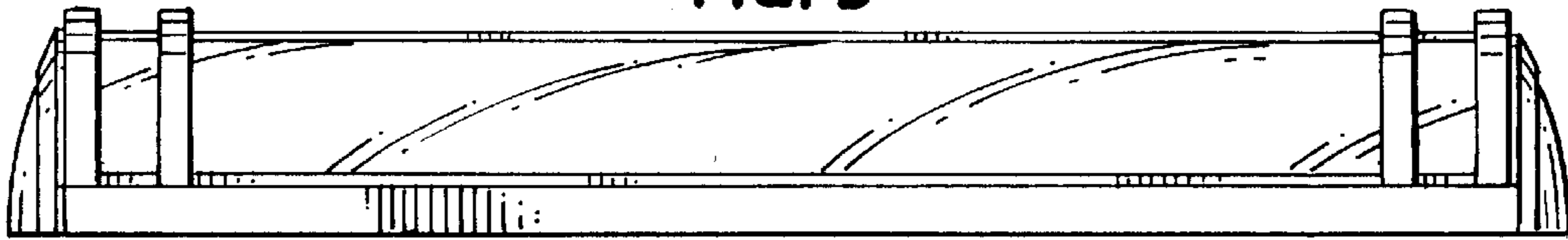


FIG. 6

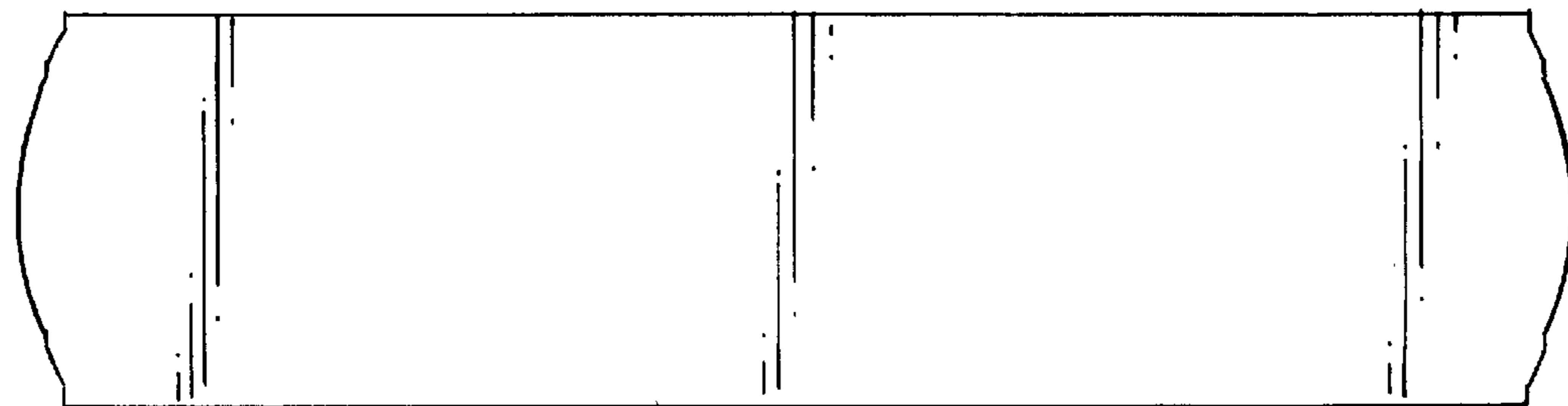


FIG. 7

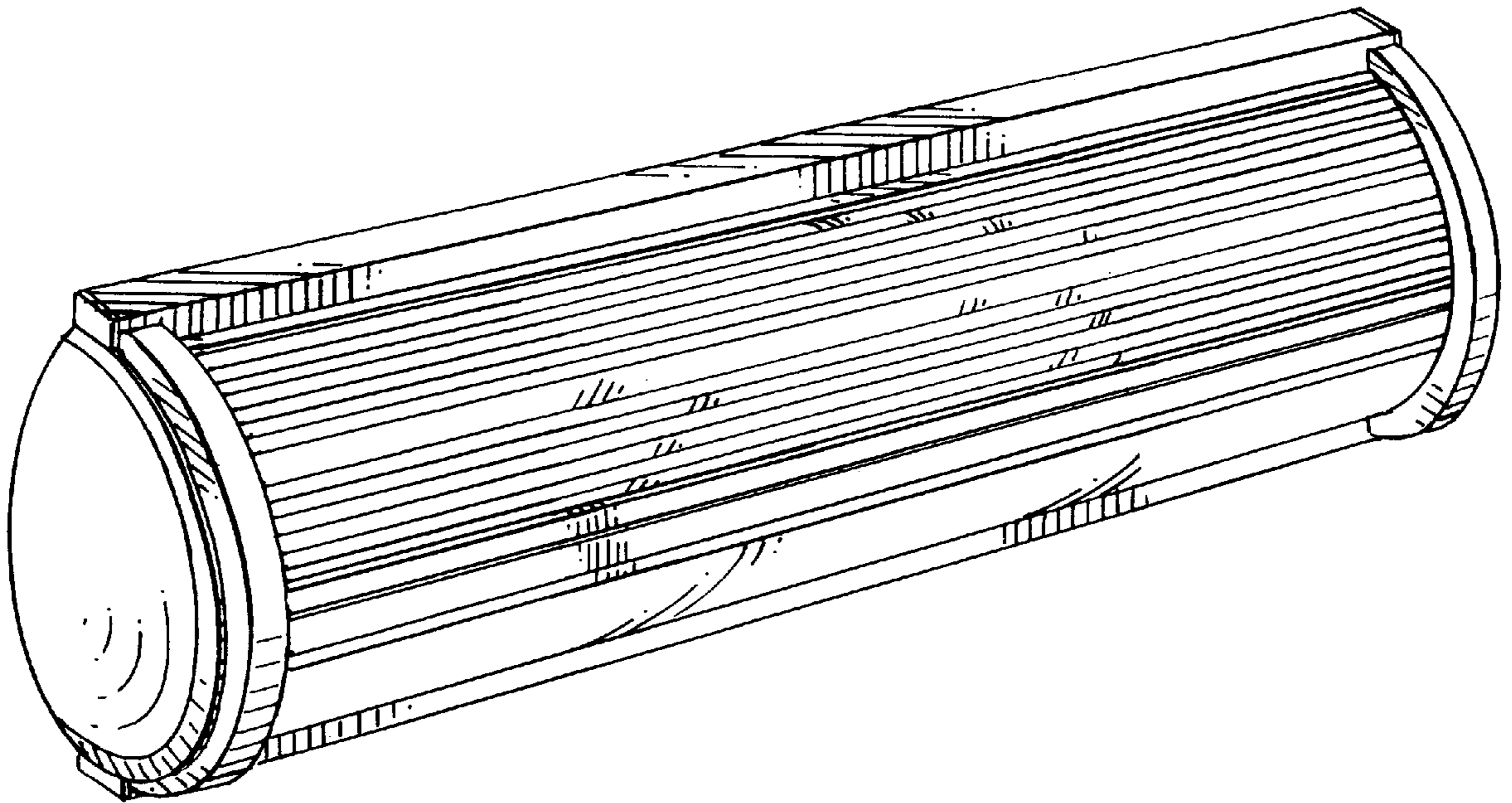


FIG. 8

