



US00D421501S

United States Patent [19] Grosfillex

[11] **Patent Number: Des. 421,501**
[45] **Date of Patent: ** Mar. 7, 2000**

[54] **PANEL CONNECTING AND FINISHING STRIP**

D. 300,566	4/1989	Fein	D25/124
2,126,499	8/1938	Petersen	52/468
2,803,858	8/1957	Rader	52/468
4,283,892	8/1981	Brown	D25/121
5,259,162	11/1993	Nicholas	52/468

[75] Inventor: **Raymond Grosfillex**, Oyonnax, France

[73] Assignee: **Grosfillex Sarl**, Oyonnax, France

[**] Term: **14 Years**

Primary Examiner—Doris Clark
Attorney, Agent, or Firm—Dowell & Dowell, P.C.

[21] Appl. No.: **29/093,075**

[57] **CLAIM**

[22] Filed: **Sep. 2, 1998**

The ornamental design for a panel connecting and finishing strip, as shown and described.

[30] **Foreign Application Priority Data**

DESCRIPTION

Mar. 2, 1998 [WO] WIPO DMA/004031

[51] **LOC (6) Cl.** **25-01**

FIG. 1 is a top perspective view of a panel connecting and finishing strip showing my new design;

[52] **U.S. Cl.** **D25/124**

FIG. 2 is a side elevational view;

[58] **Field of Search** 52/465, 468, 469, 52/470, 471; D25/119, 120, 121, 124, 136

FIG. 3 is a top plan view; and,

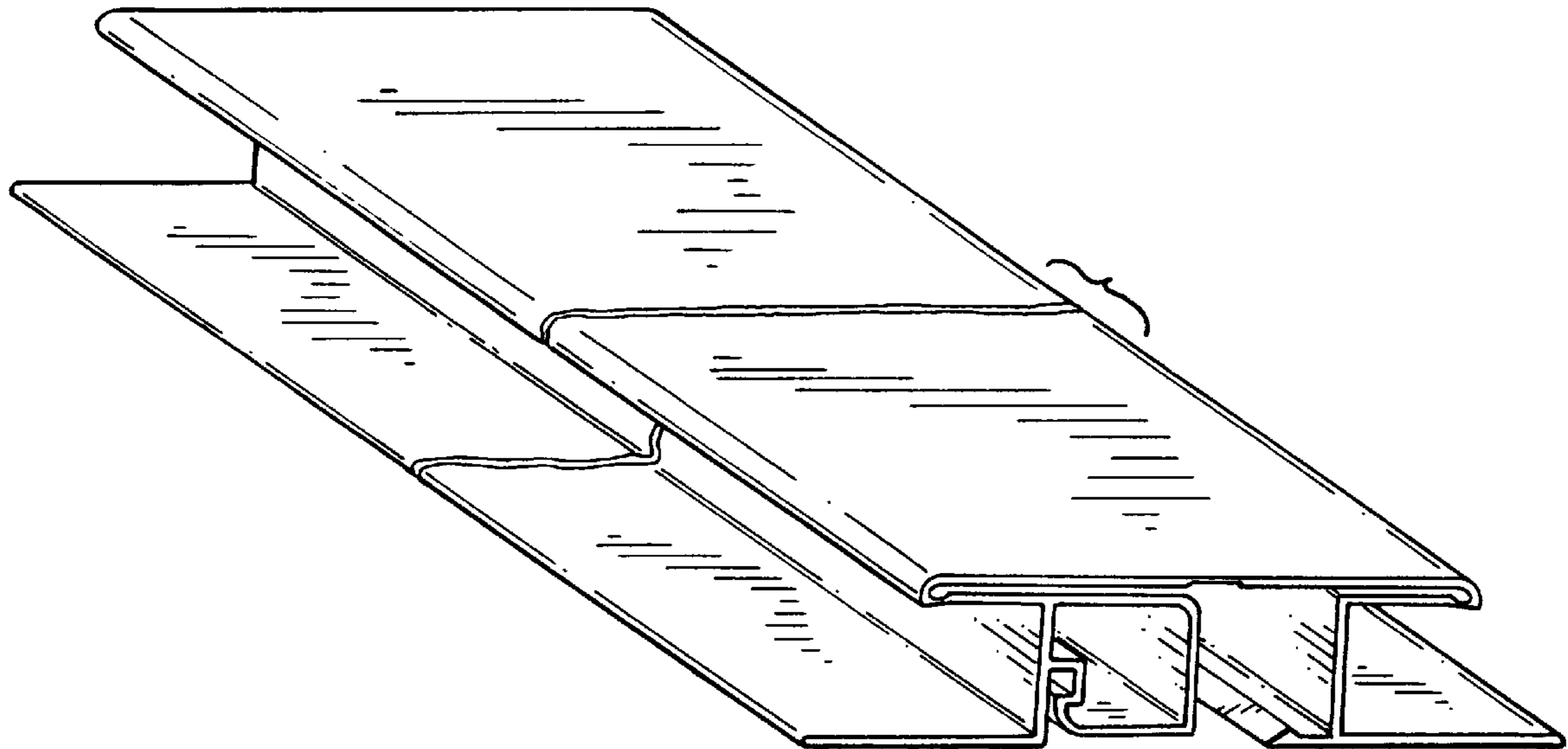
FIG. 4 is a bottom plan view thereof.

[56] **References Cited**

U.S. PATENT DOCUMENTS

D. 269,910 7/1983 Johansson D25/124

1 Claim, 1 Drawing Sheet



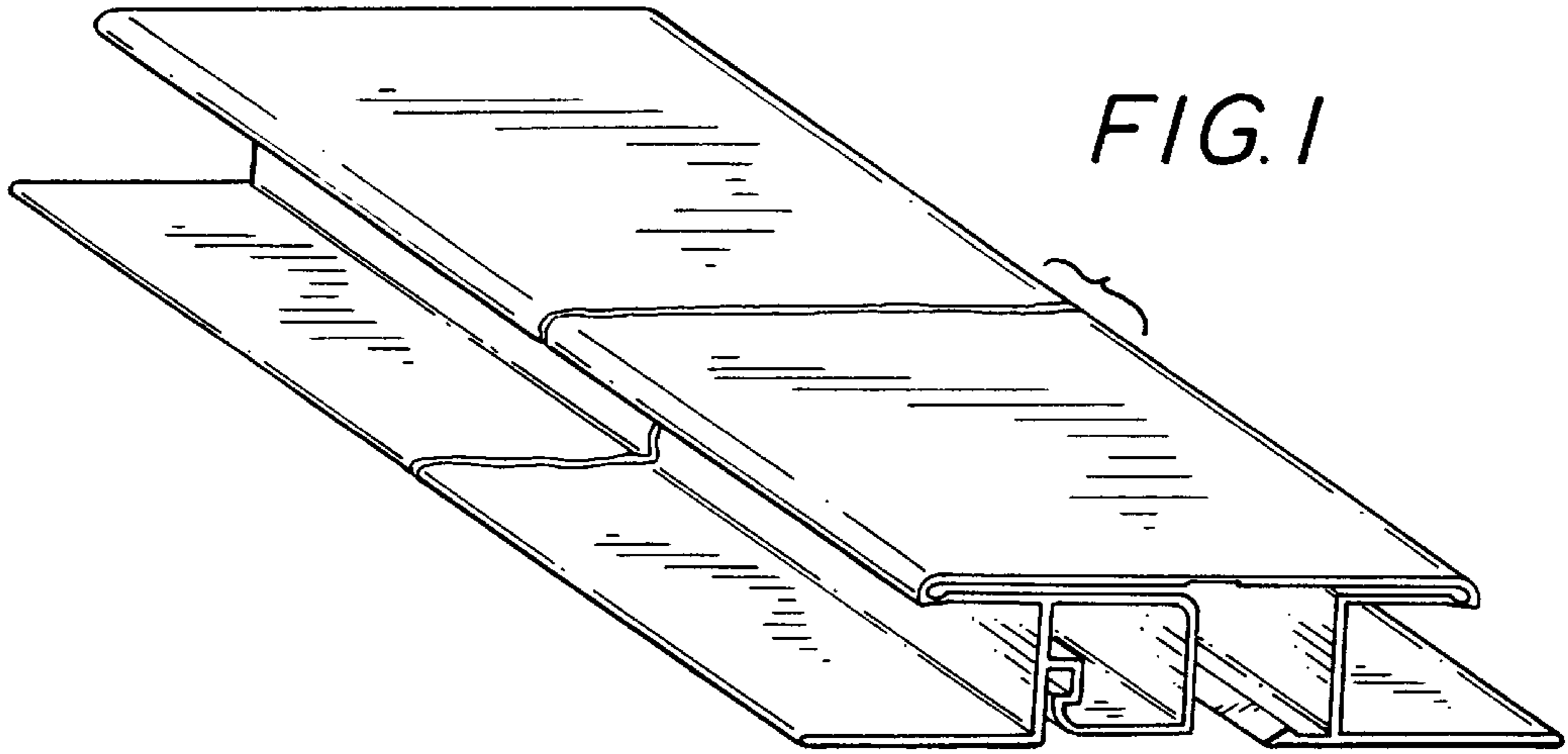


FIG. 2

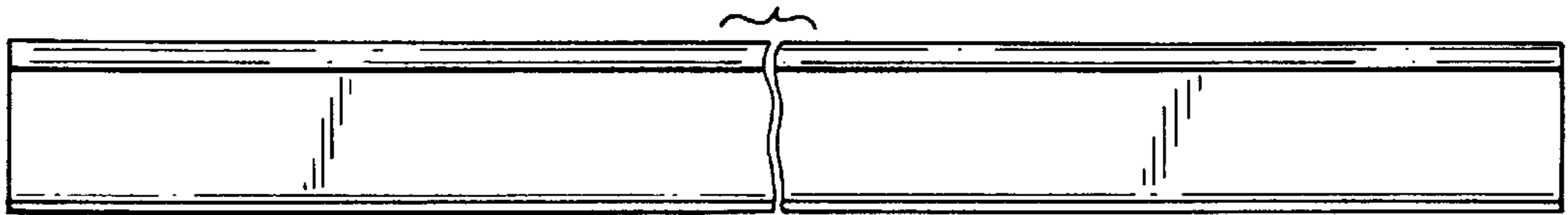


FIG. 3

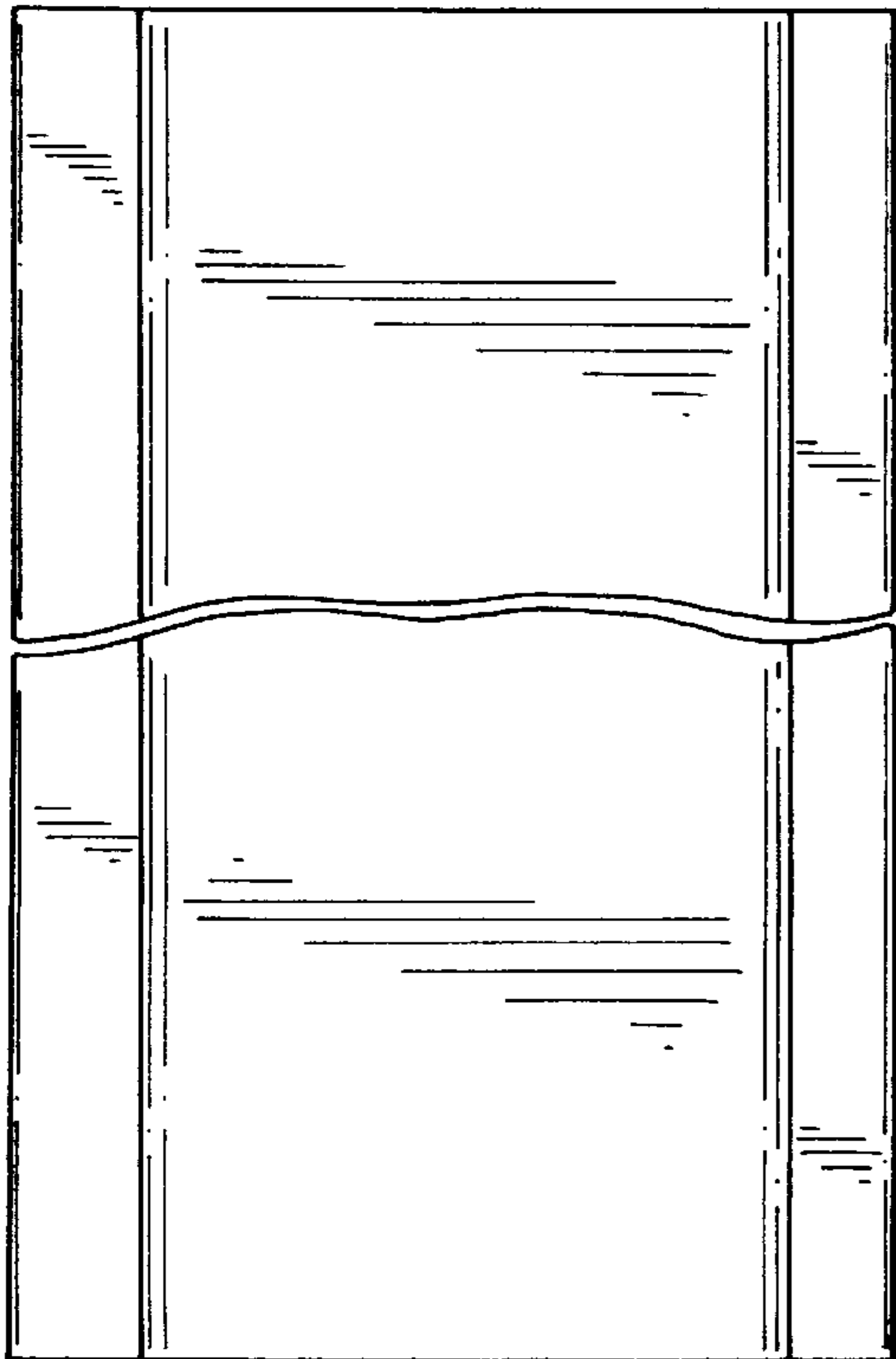


FIG. 4

