



US00D421497S

# United States Patent [19]

Wattiez

[11] Patent Number: Des. 421,497

[45] Date of Patent: \*\* Mar. 7, 2000

[54] UTERINE MANIPULATOR

[75] Inventor: Arnaud Wattiez, Clermont-Ferrand, France

[73] Assignee: Karl Storz GmbH & Co. KG, Germany

[\*\*] Term: 14 Years

[21] Appl. No.: 29/087,276

[22] Filed: Apr. 30, 1998

### [30] Foreign Application Priority Data

Oct. 31, 1997 [DE] Germany ..... 97 10 095

[51] LOC (6) Cl. .... 24-02

[52] U.S. Cl. .... D24/141; D24/133; D24/147

[58] Field of Search ..... D24/146, 133, D24/143, 141, 147; 606/112, 119, 193, 192

### [56] References Cited

#### U.S. PATENT DOCUMENTS

5,409,496 4/1995 Rowden et al. .... 606/119

5,643,311 7/1997 Smith et al. .... 606/193  
5,645,561 7/1997 Smith et al. .... 606/193  
5,840,077 11/1998 Rowden et al. .... 606/112

Primary Examiner—Stella Reid  
Assistant Examiner—I Simmons  
Attorney, Agent, or Firm—St. Onge Steward Johnston & Reens LLC

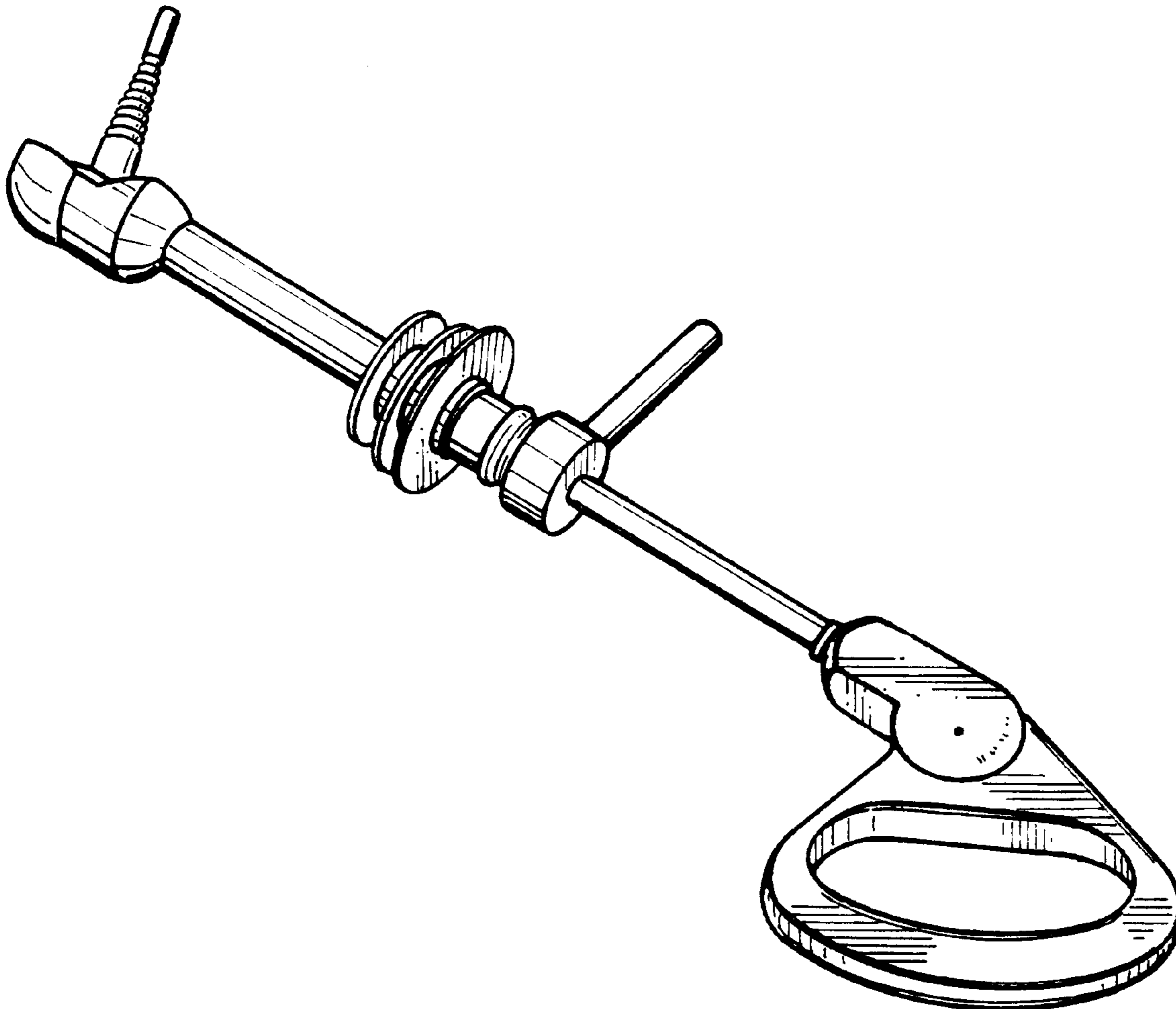
### [57] CLAIM

The ornamental design for a uterine manipulator, as shown and described.

### DESCRIPTION

FIG. 1 is a left side elevational view of a uterine manipulator showing my new design;  
FIG. 2 is a lower left perspective view thereof;  
FIG. 3 is an enlarged left side elevational view of the handle portion;  
FIG. 4 is an enlarged upper right perspective view of the handle portion;  
FIG. 5 is an enlarged left side elevational view of the manipulator tip, the right side elevational view being a mirror image thereto; and,  
FIG. 6 is an enlarged front elevational view thereof.

1 Claim, 4 Drawing Sheets



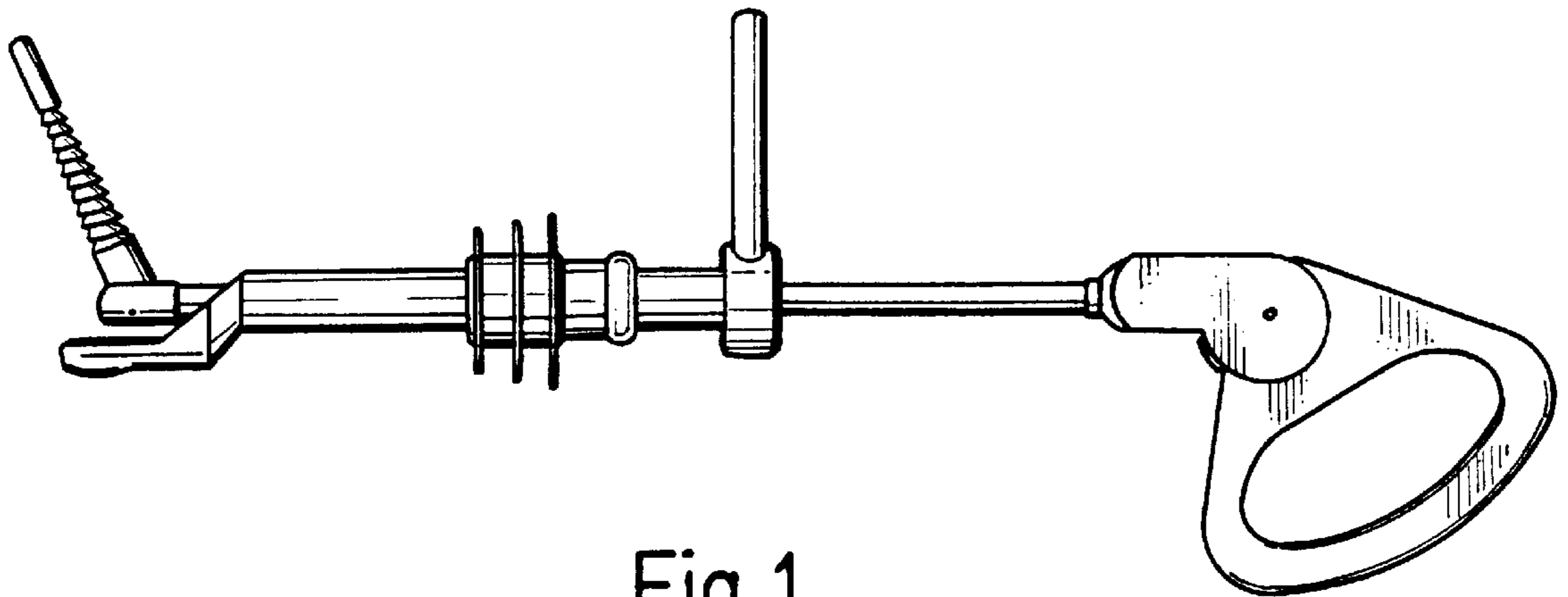


Fig. 1

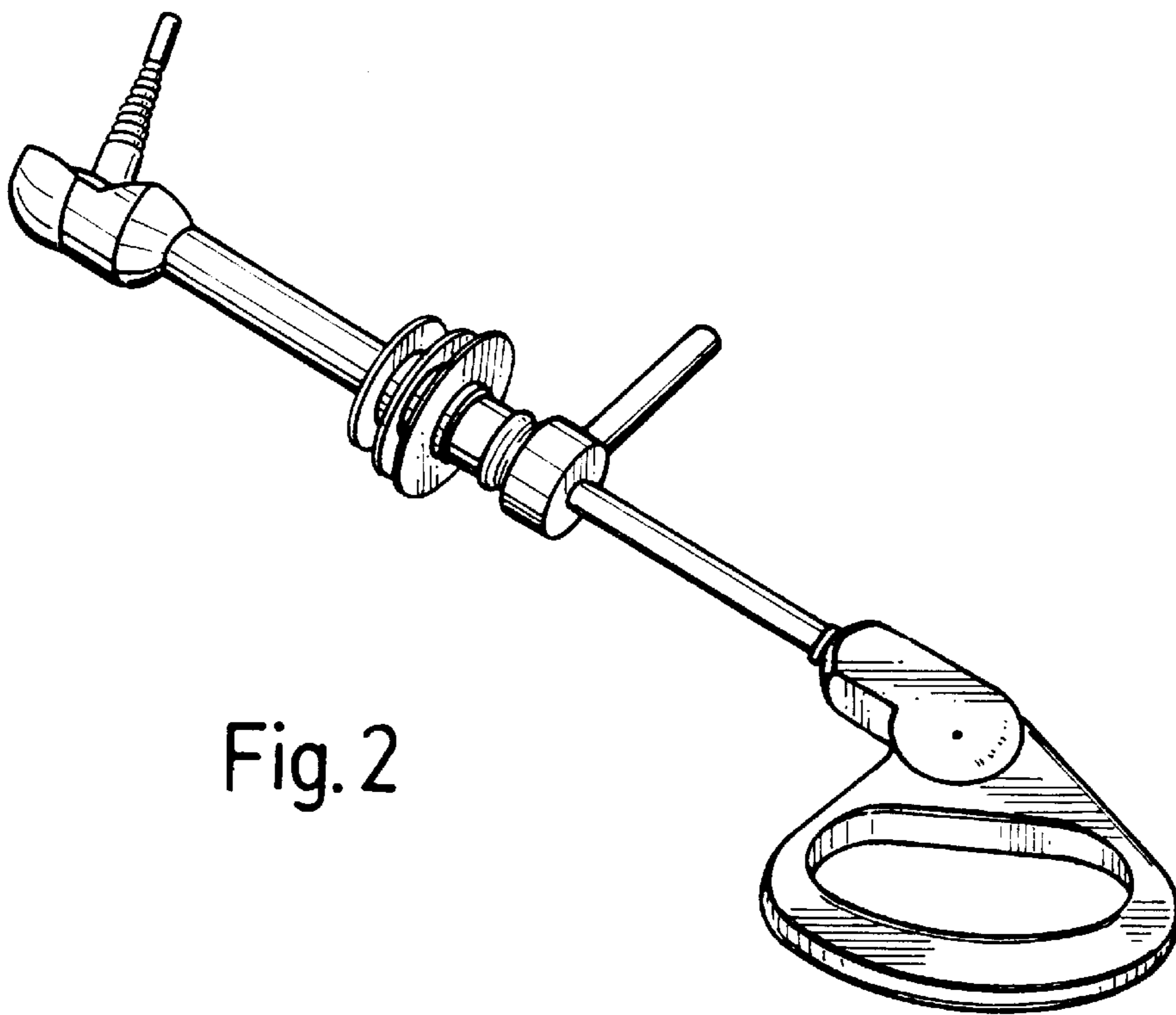


Fig. 2

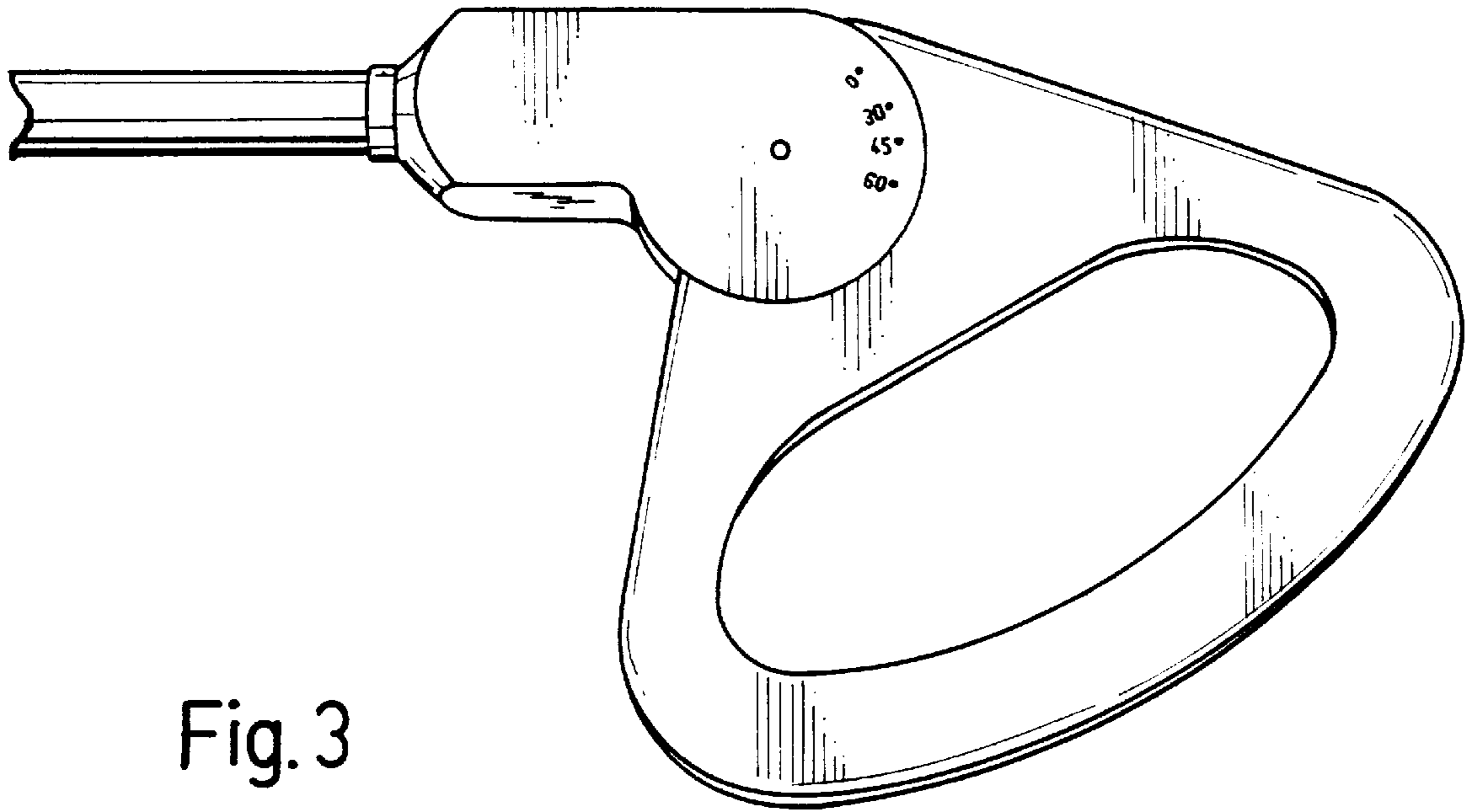


Fig. 3

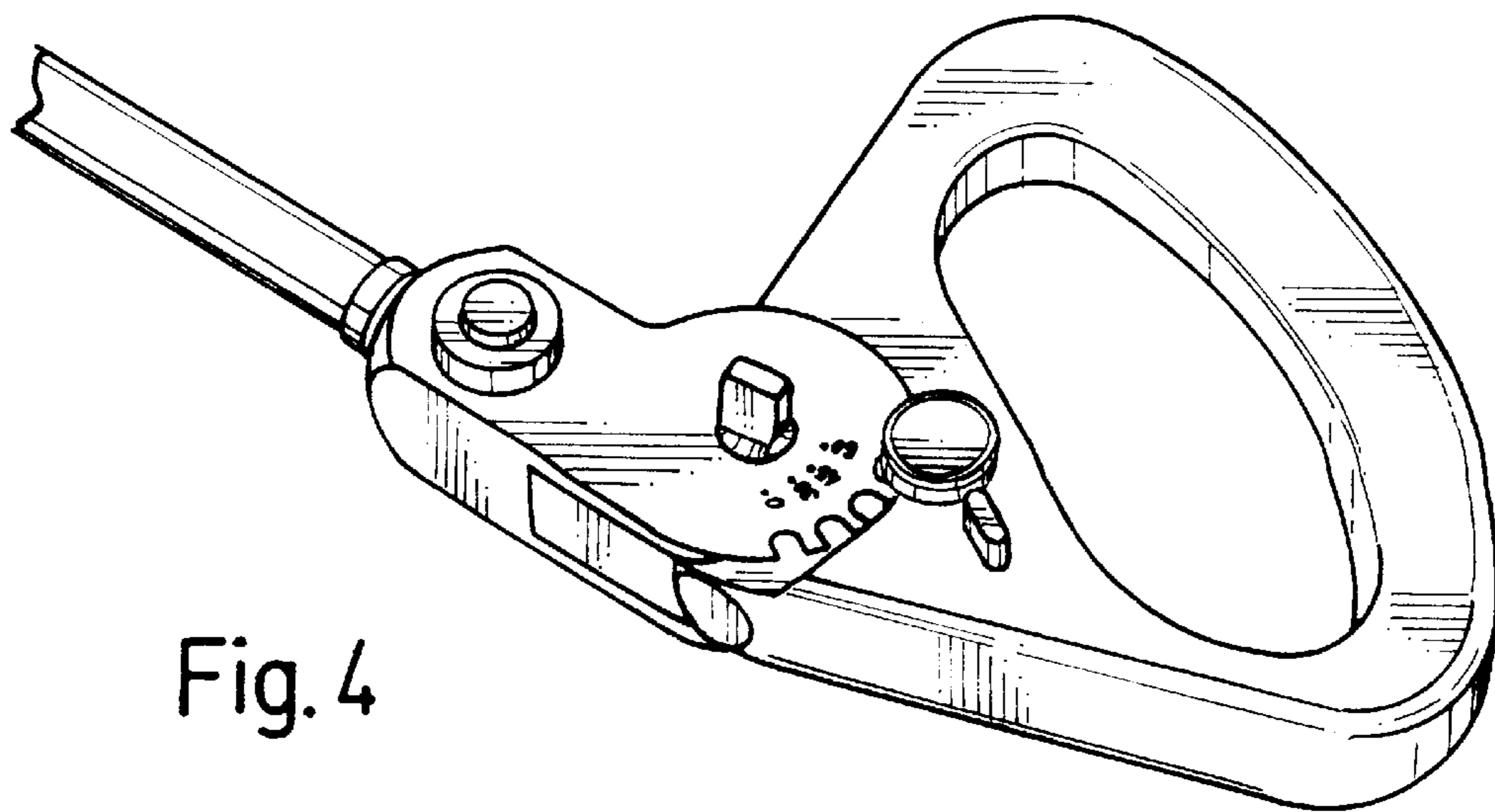


Fig. 4

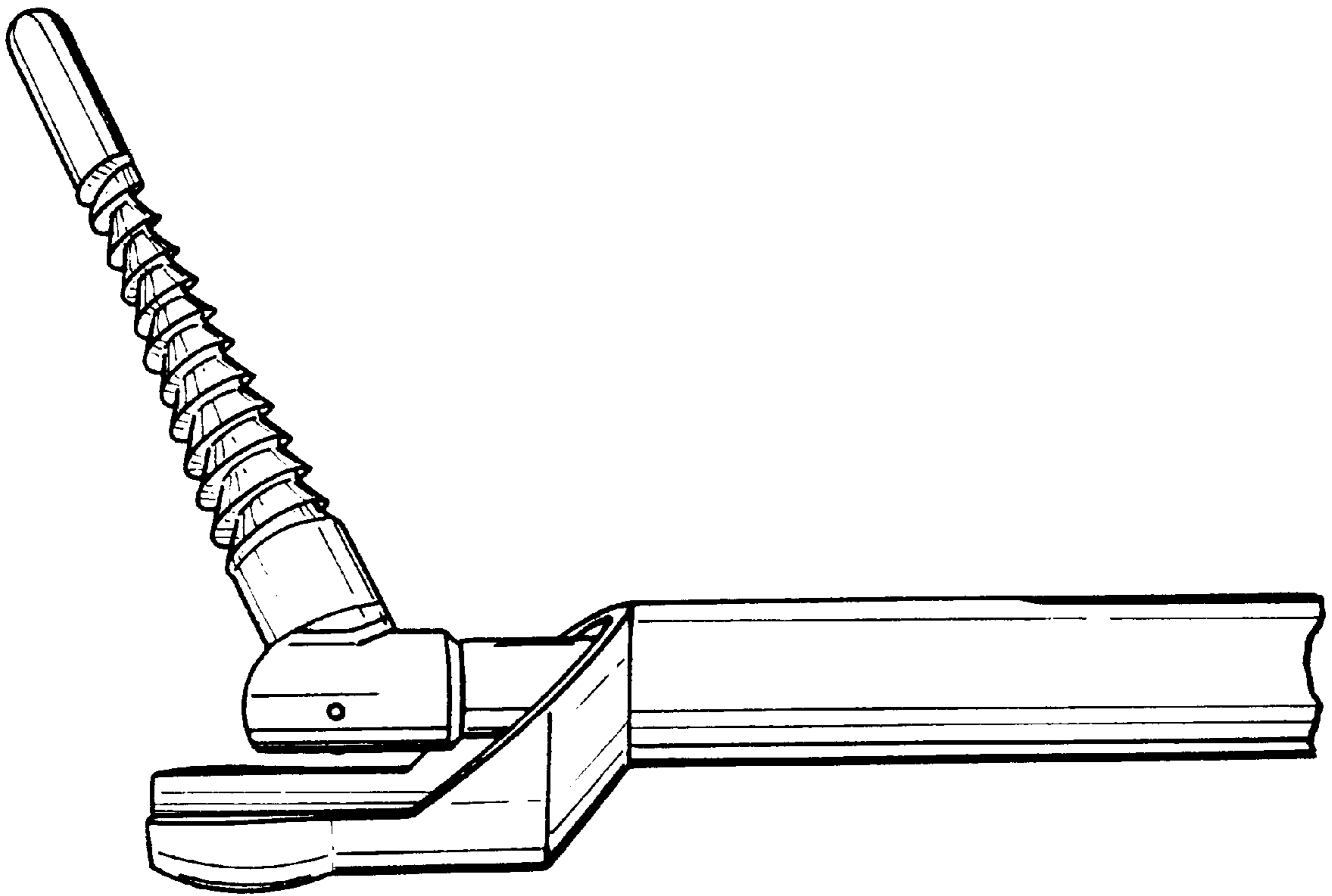


Fig. 5

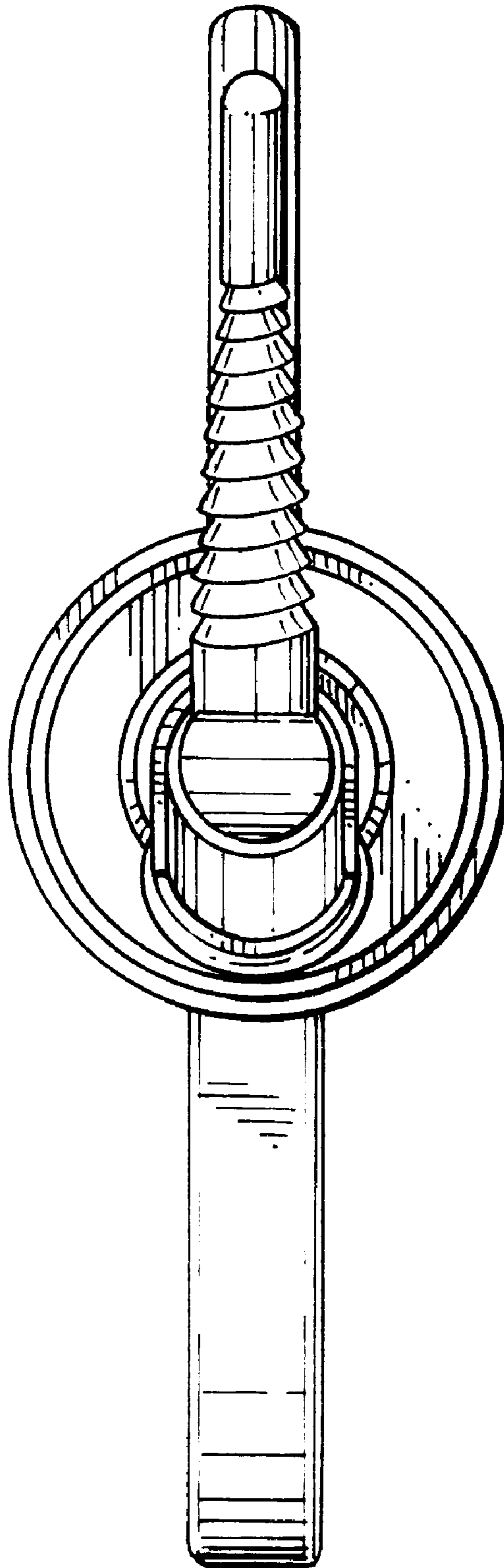


Fig. 6