



US00D421492S

United States Patent [19] Wu

[11] Patent Number: **Des. 421,492**

[45] Date of Patent: **** Mar. 7, 2000**

[54] AIR FRESHENER CONTAINER

D. 390,942 2/1998 Mei D23/367

[76] Inventor: **Li-Lang Wu**, No. 31, Lane 623, Sec. 1,
Chung-Yang Rd., Wuchi Chen,
Taichung Hsien, Taichung, Taiwan

Primary Examiner—Lisa Lichtenstein
Attorney, Agent, or Firm—Varndell & Varndell, PLLC

[**] Term: **14 Years**

[57] CLAIM

The ornamental design for an air freshener container, as shown.

[21] Appl. No.: **29/104,988**

[22] Filed: **May 14, 1999**

DESCRIPTION

[51] LOC (6) Cl. **23-04**

[52] U.S. Cl. **D23/367; D23/366**

[58] Field of Search D23/366-369;
239/211, 60, 56, 34, 57, 55, 58; 261/DIG. 65;
422/305, 120; D12/327; D9/307, 308; D21/442,
447, 450, 430

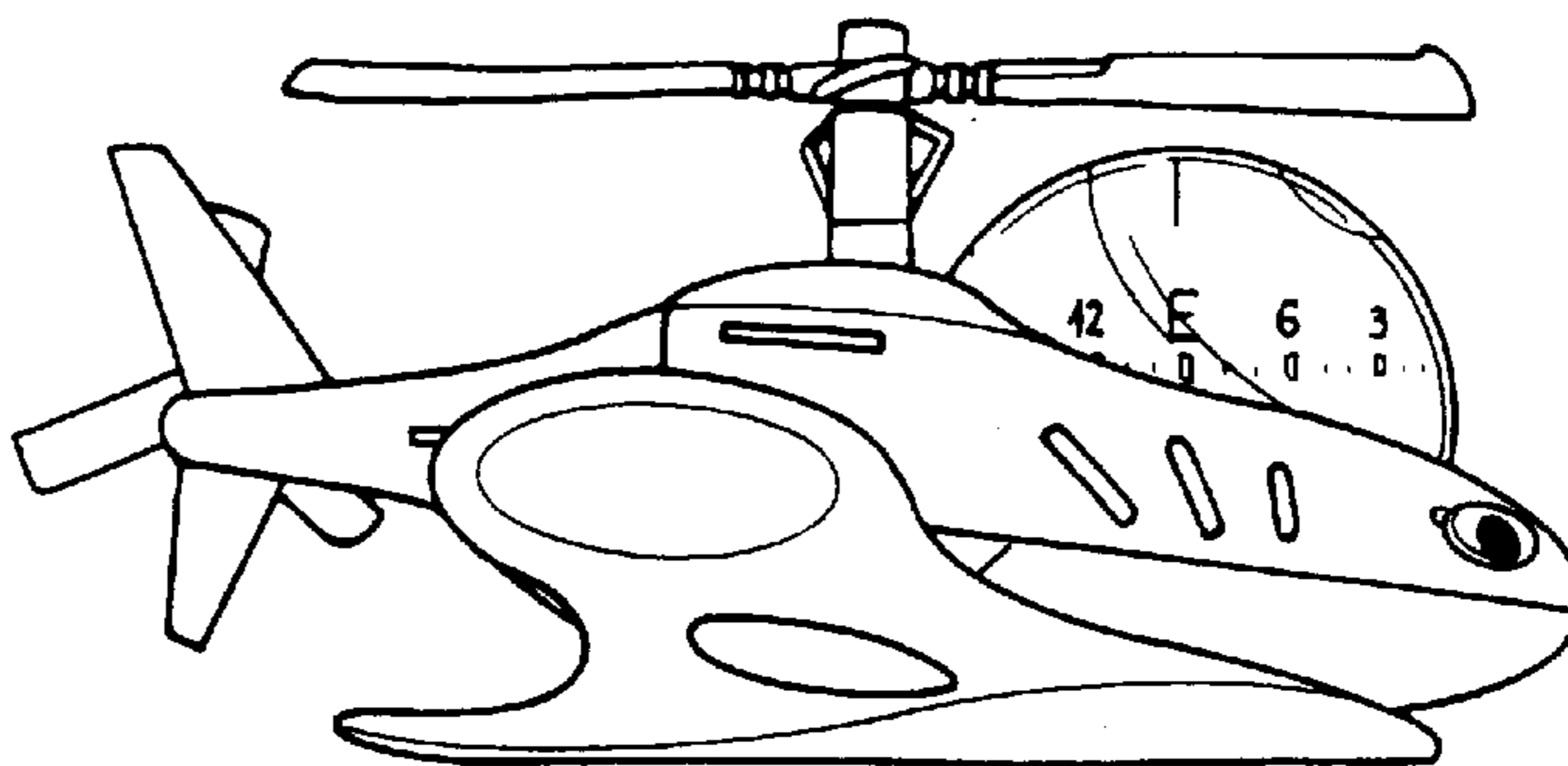
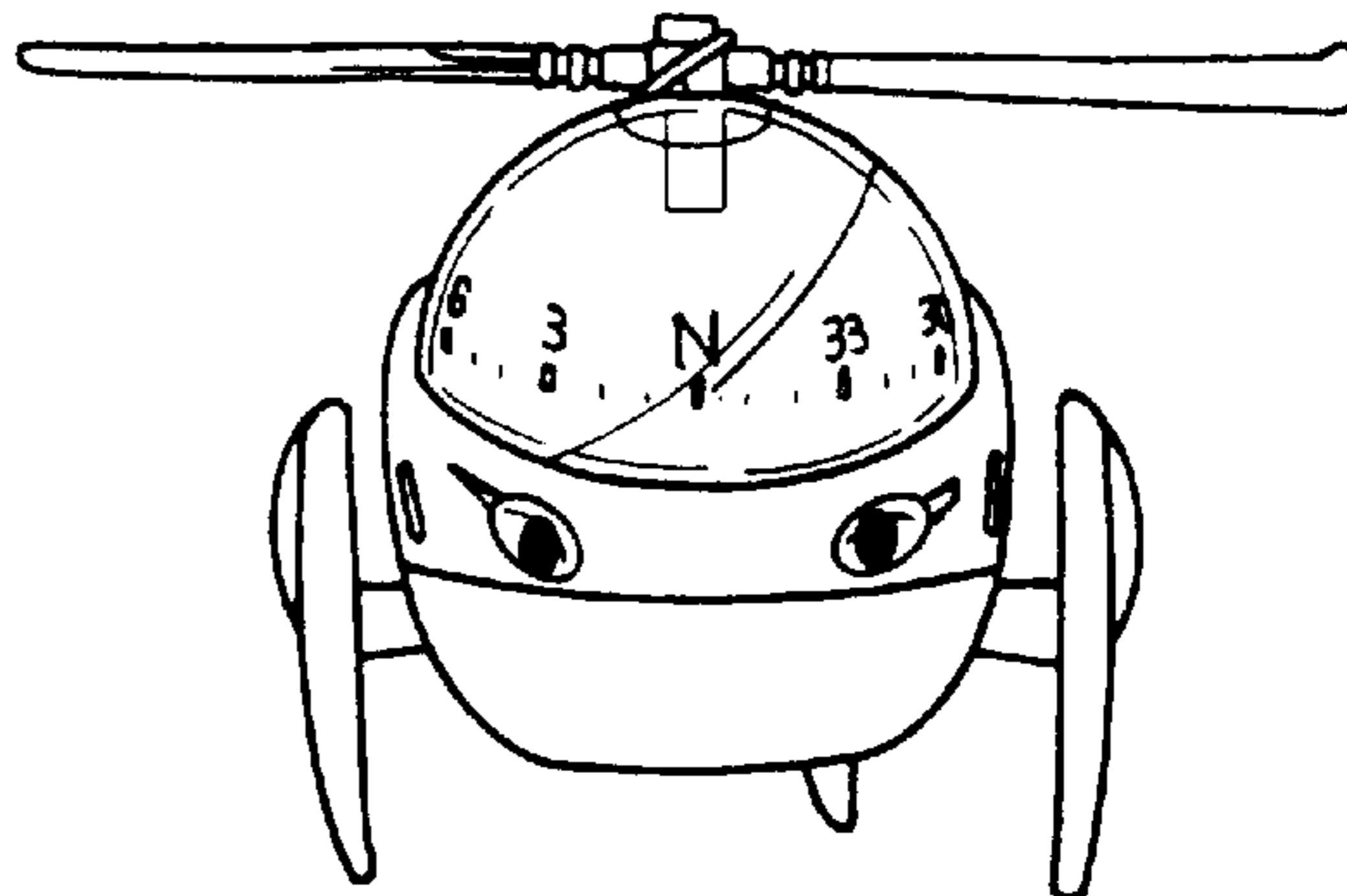
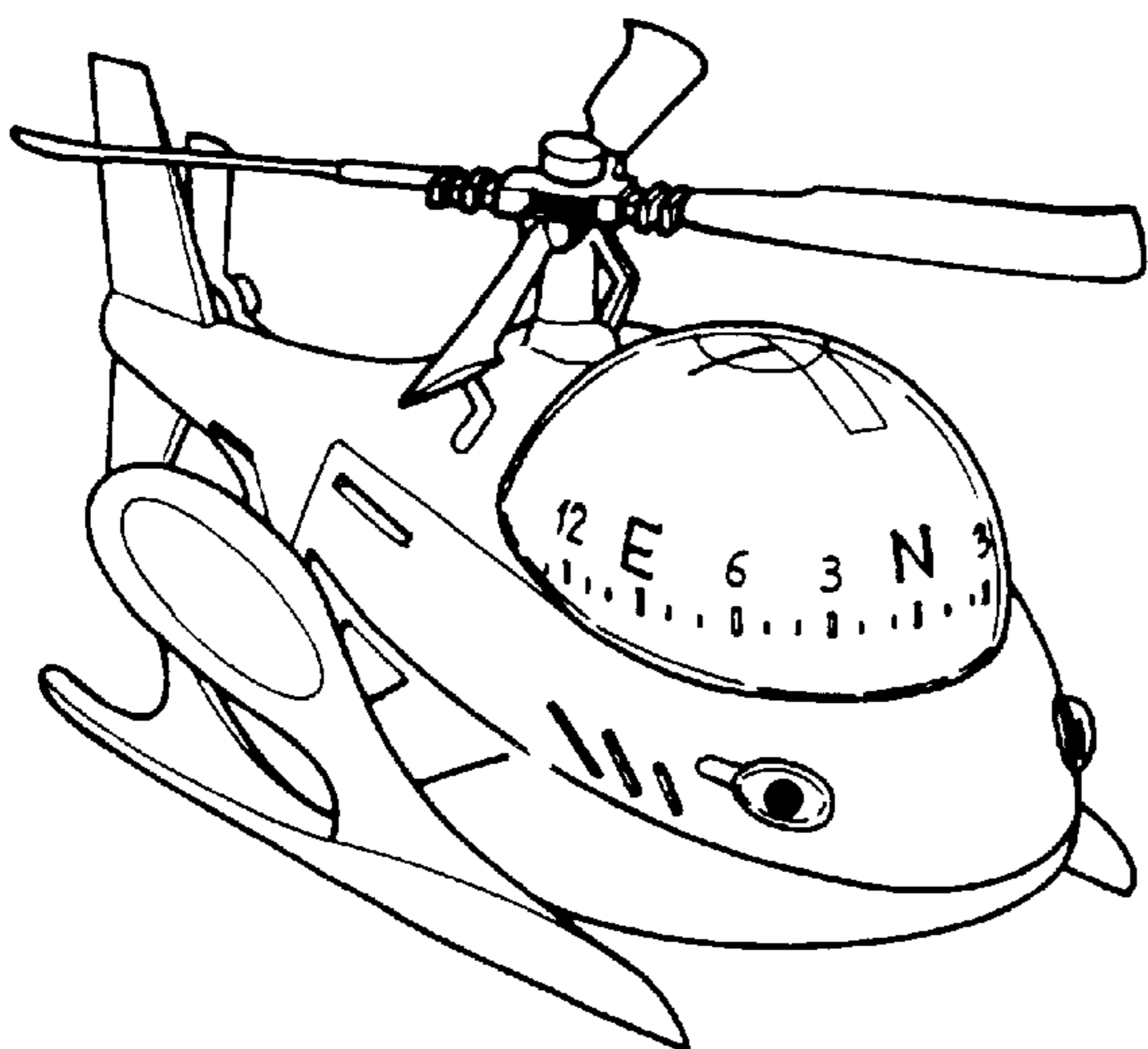
FIG. 1 is a left side perspective view of an air freshener container showing my new design;
FIG. 2 is a front view thereof;
FIG. 3 is a rear view thereof;
FIG. 4 is a left side view thereof;
FIG. 5 is a right side view thereof;
FIG. 6 is a top view thereof; and,
FIG. 7 is a bottom view thereof.

[56] References Cited

U.S. PATENT DOCUMENTS

D. 140,435 2/1945 Smith D21/583

1 Claim, 4 Drawing Sheets



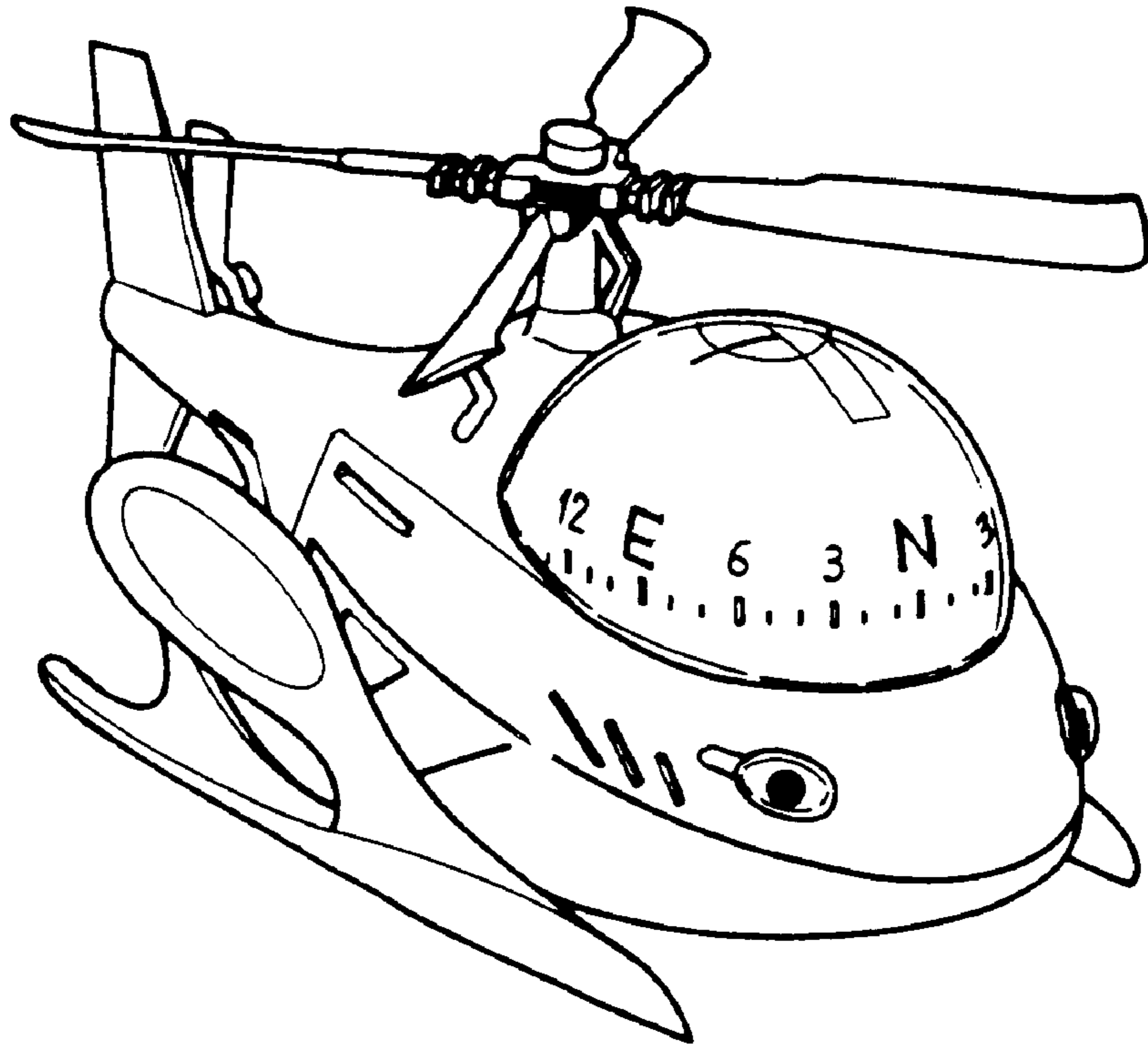


FIG. 1

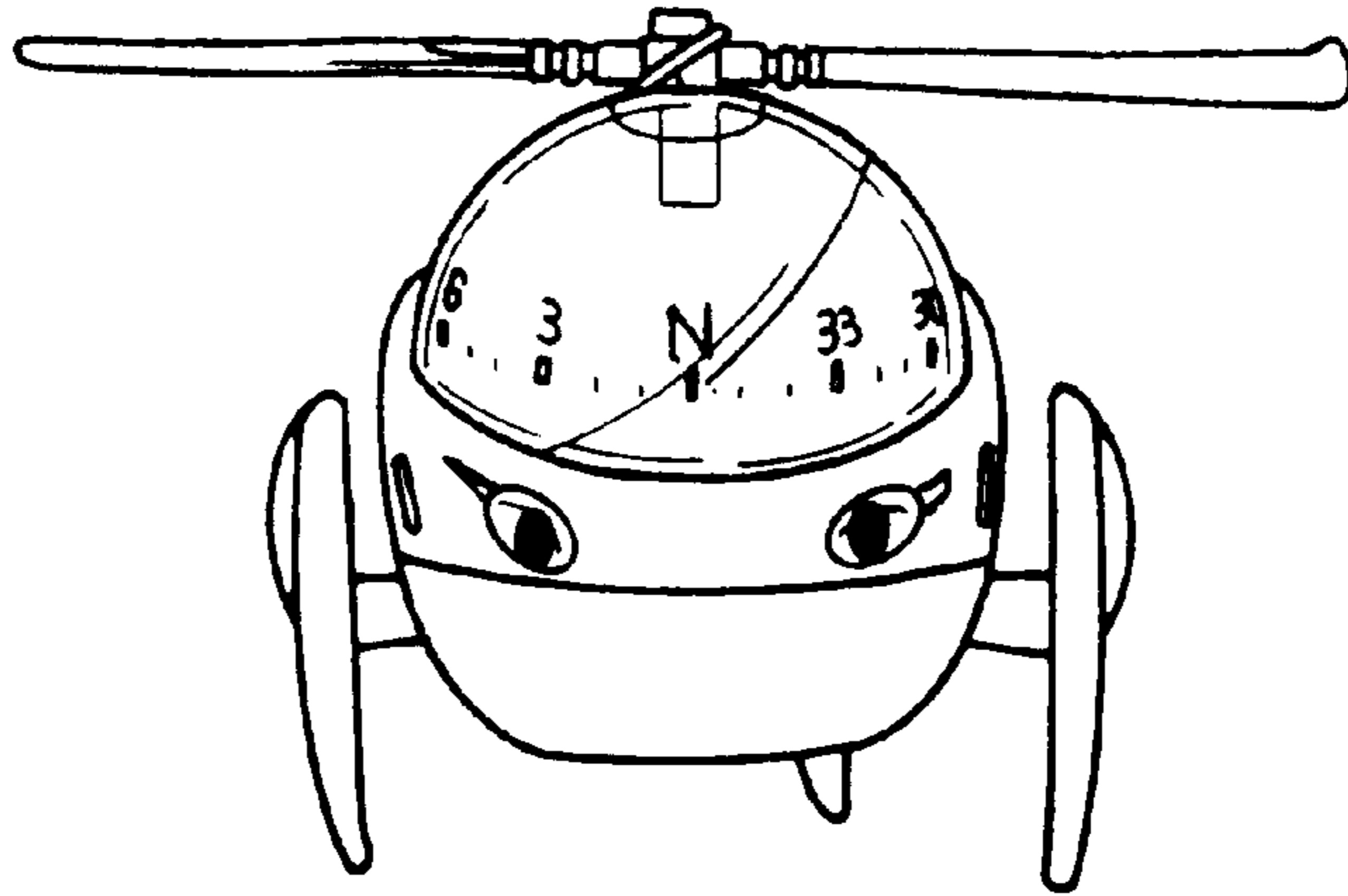


FIG. 2

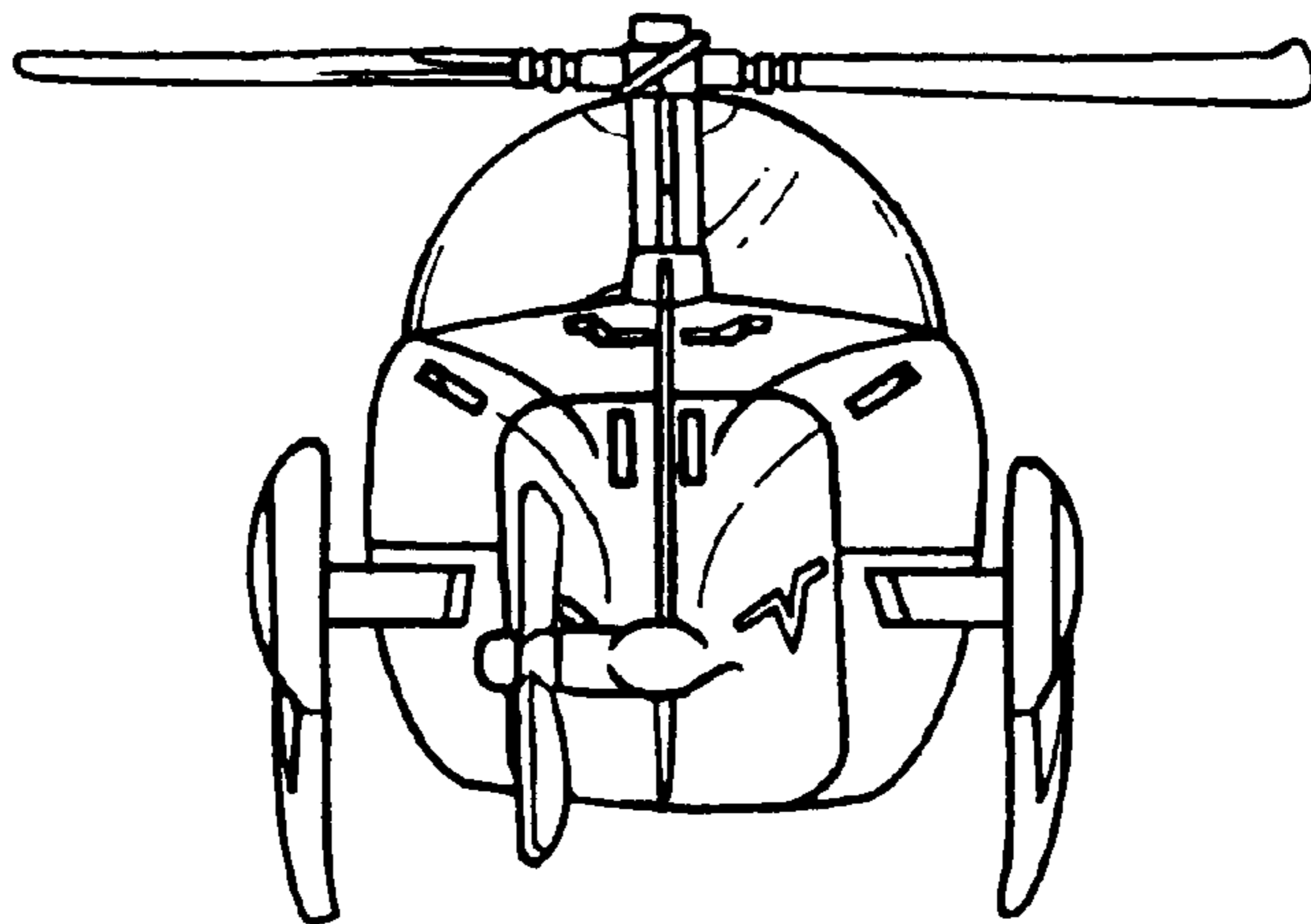


FIG. 3

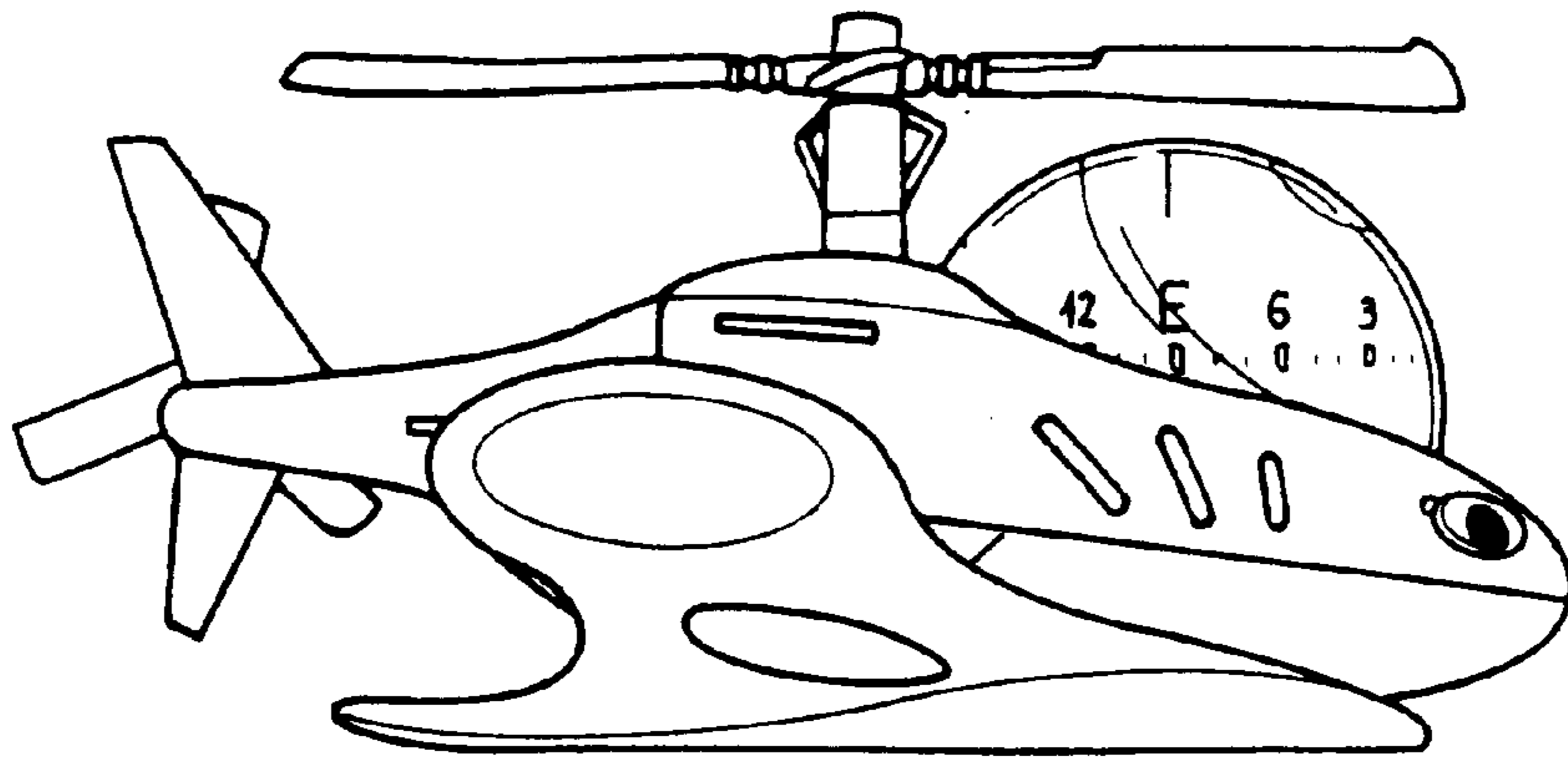


FIG. 4

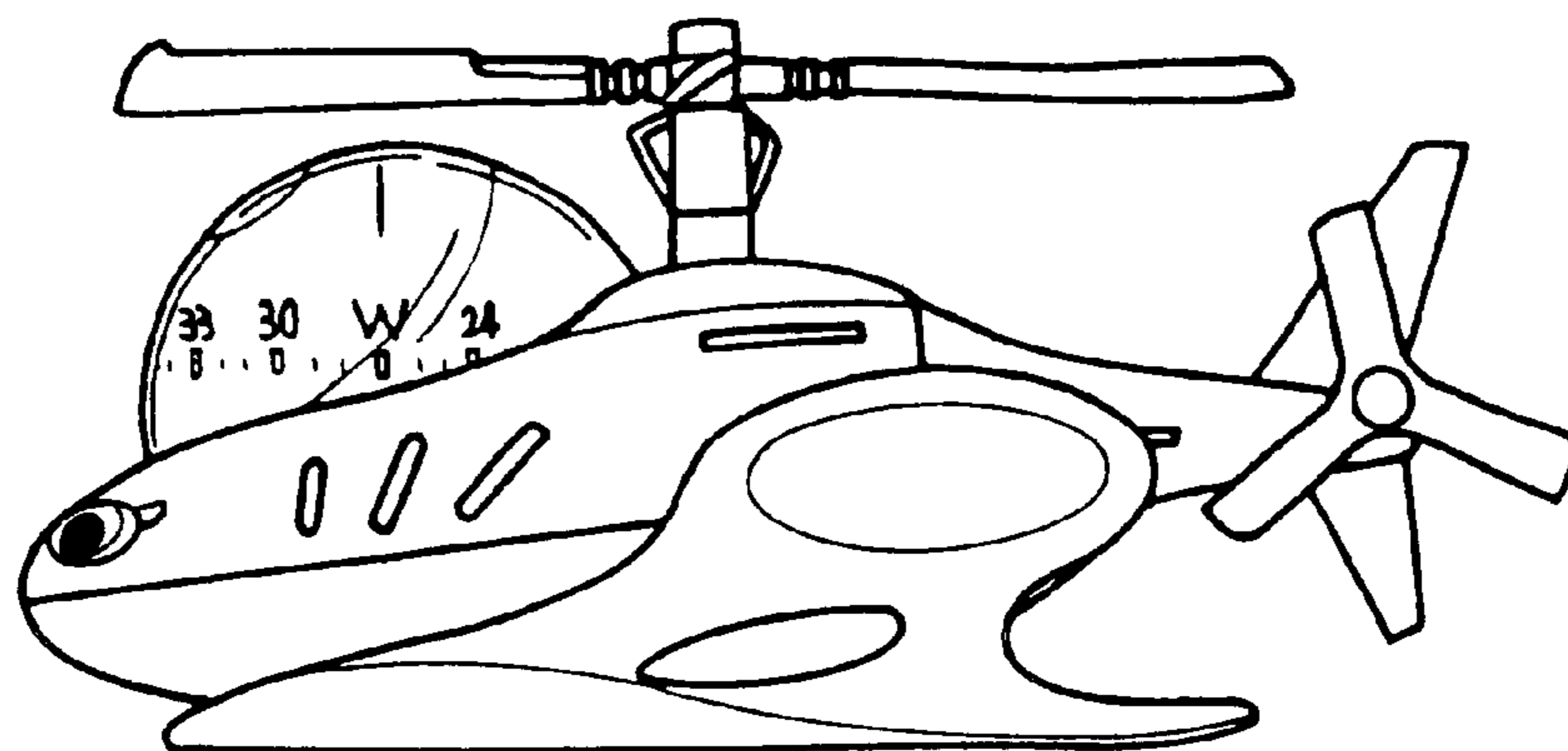


FIG. 5

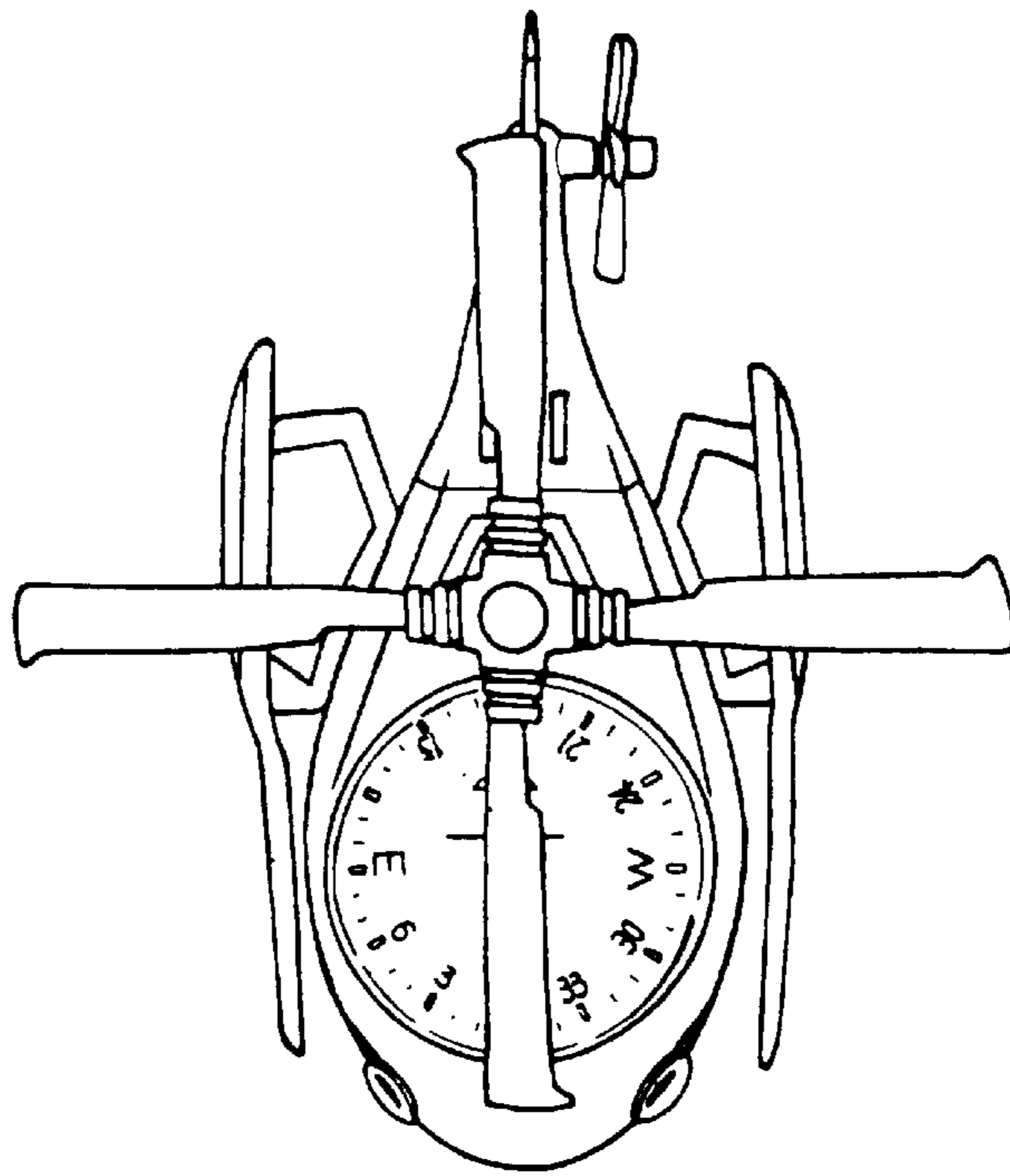


FIG. 6

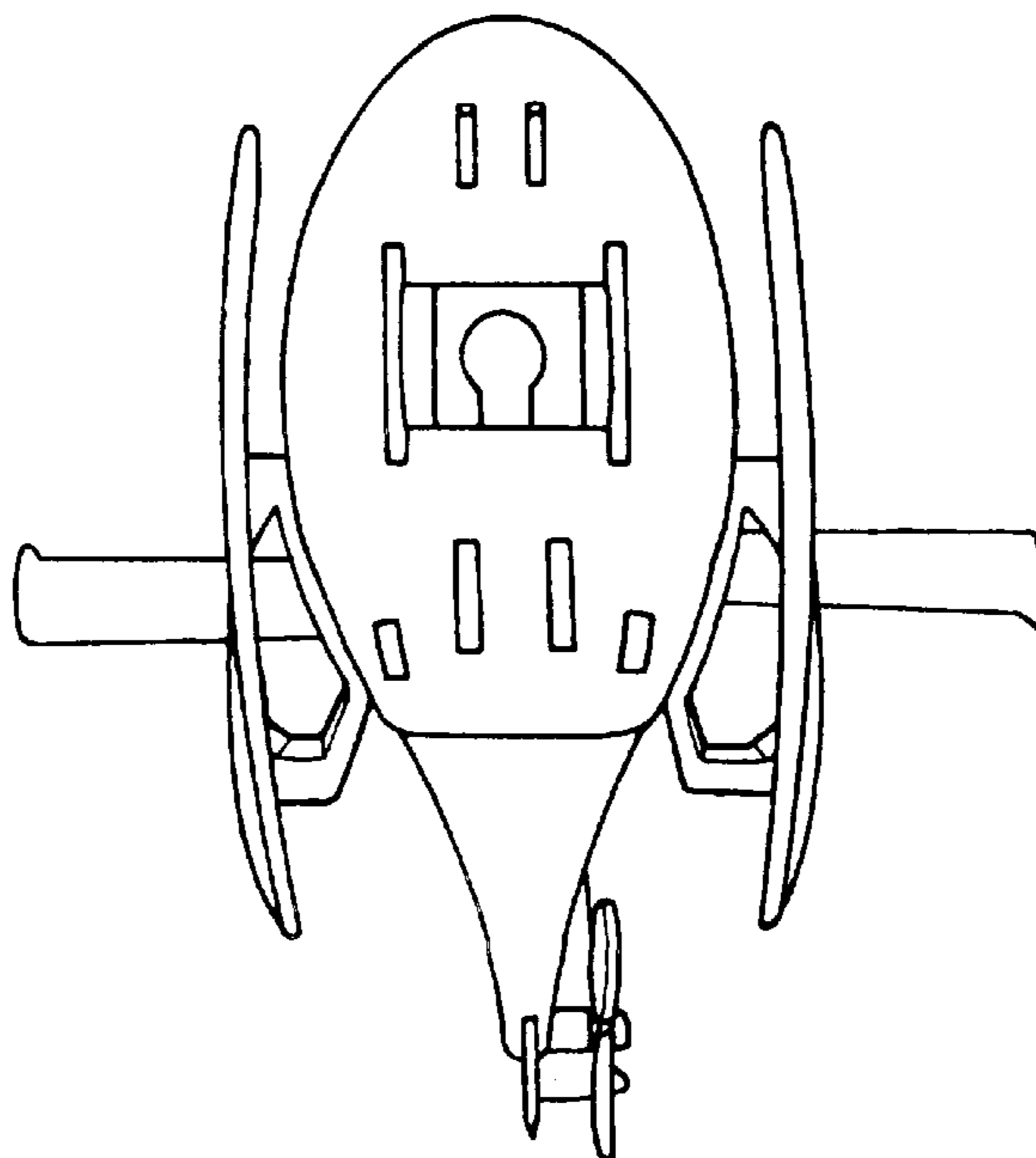


FIG. 7