



US00D421490S

# United States Patent [19]

[11] **Patent Number: Des. 421,490**

**Talerico**

[45] **Date of Patent: \*\* Mar. 7, 2000**

[54] **RETRACTABLE DRAINBOARD FOR A SINK**

[76] Inventor: **James E. Talerico**, 12920 S. 94th Ave., Palos Park, Ill. 60464

[\*\*] Term: **14 Years**

[21] Appl. No.: **29/103,943**

[22] Filed: **Apr. 22, 1999**

[51] **LOC (6) Cl. .... 23-02**

[52] **U.S. Cl. .... D23/308; D23/267**

[58] **Field of Search .... D23/284-288, D23/303-311; D32/6, 25, 29; 4/625, 626, 630, 631, 638, 643, 645, 656, 657**

[56] **References Cited**

**U.S. PATENT DOCUMENTS**

D. 100,785	8/1936	Lance	.....	D23/286
D. 328,125	7/1992	Bae	.....	D23/286
D. 342,121	12/1993	Lim	.....	D23/286
D. 350,035	8/1994	Stacey	.....	D6/397
D. 374,068	9/1996	Segenschmid	.....	D23/286
D. 401,678	11/1998	Scheel et al.	.....	D23/286
834,405	10/1906	Randall	.	
994,855	6/1911	Mall	.....	4/656
1,046,604	12/1912	Kensit	.	
1,287,894	12/1918	Cox	.	
1,309,965	7/1919	Schwab	.	
1,571,753	2/1926	Christian	.	

1,982,117	11/1934	Murie	.	
2,590,793	3/1952	Rigstad	.	
4,316,296	2/1982	Lubin	.	
5,313,676	5/1994	Wright	.....	4/645
5,813,063	9/1998	Watkins et al.	.....	4/626

*Primary Examiner*—Eric Watterson  
*Attorney, Agent, or Firm*—Richard G. Kinney, Esq

[57] **CLAIM**

The ornamental design for a retractable drainboard for a sink, as shown and described.

**DESCRIPTION**

FIG. 1 is a perspective view of the retractable drainboard for a sink showing my new design, the laundry tub shown in phantom lines is for illustrative purposes only and forms no part of the claimed design.

FIG. 2 is a front elevational view of the retractable drainboard for a sink of FIG. 1, the rear view being a mirror image thereof.

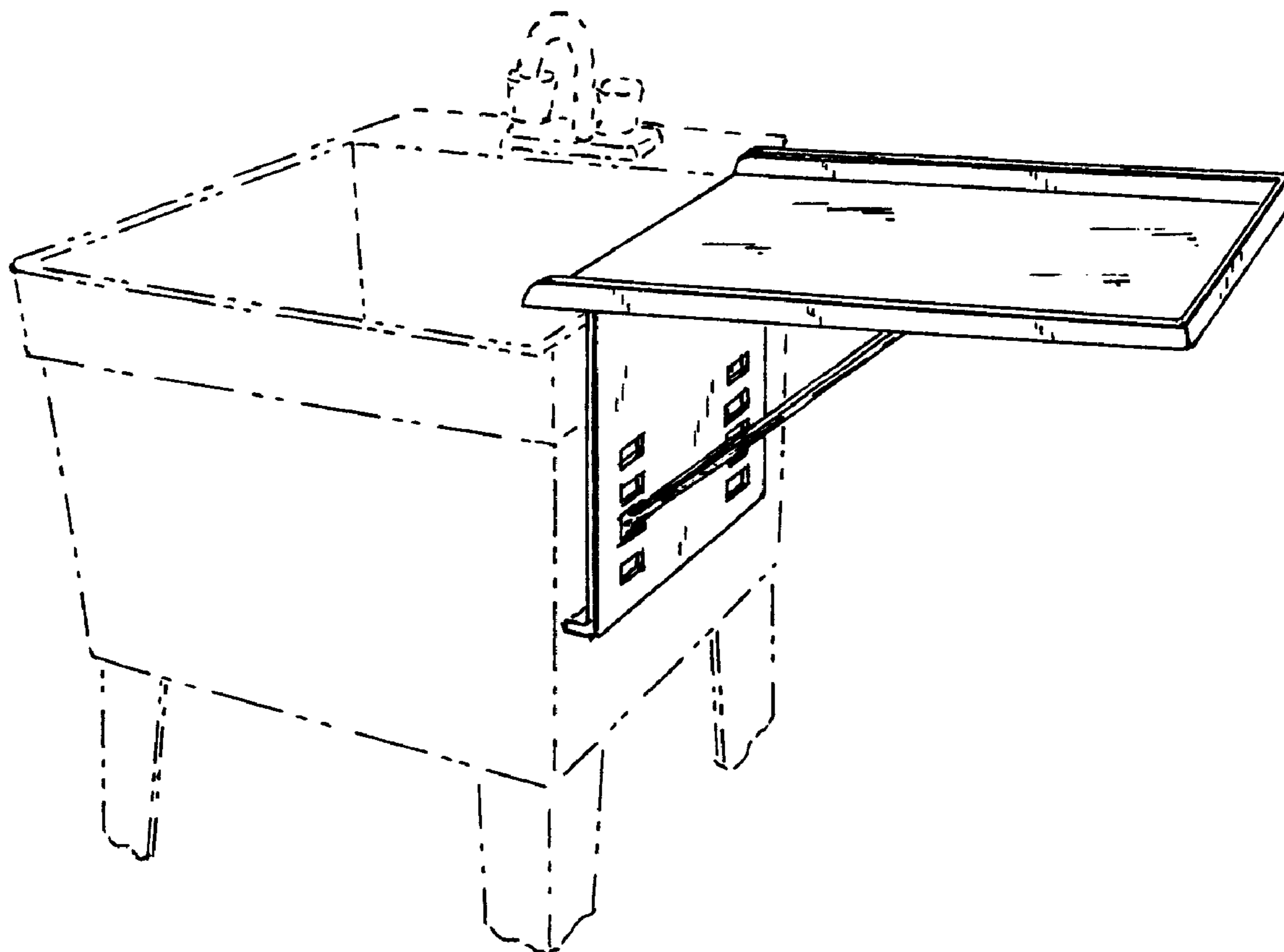
FIG. 3 is a top view of the retractable drainboard for a sink of FIGS. 1 and 2.

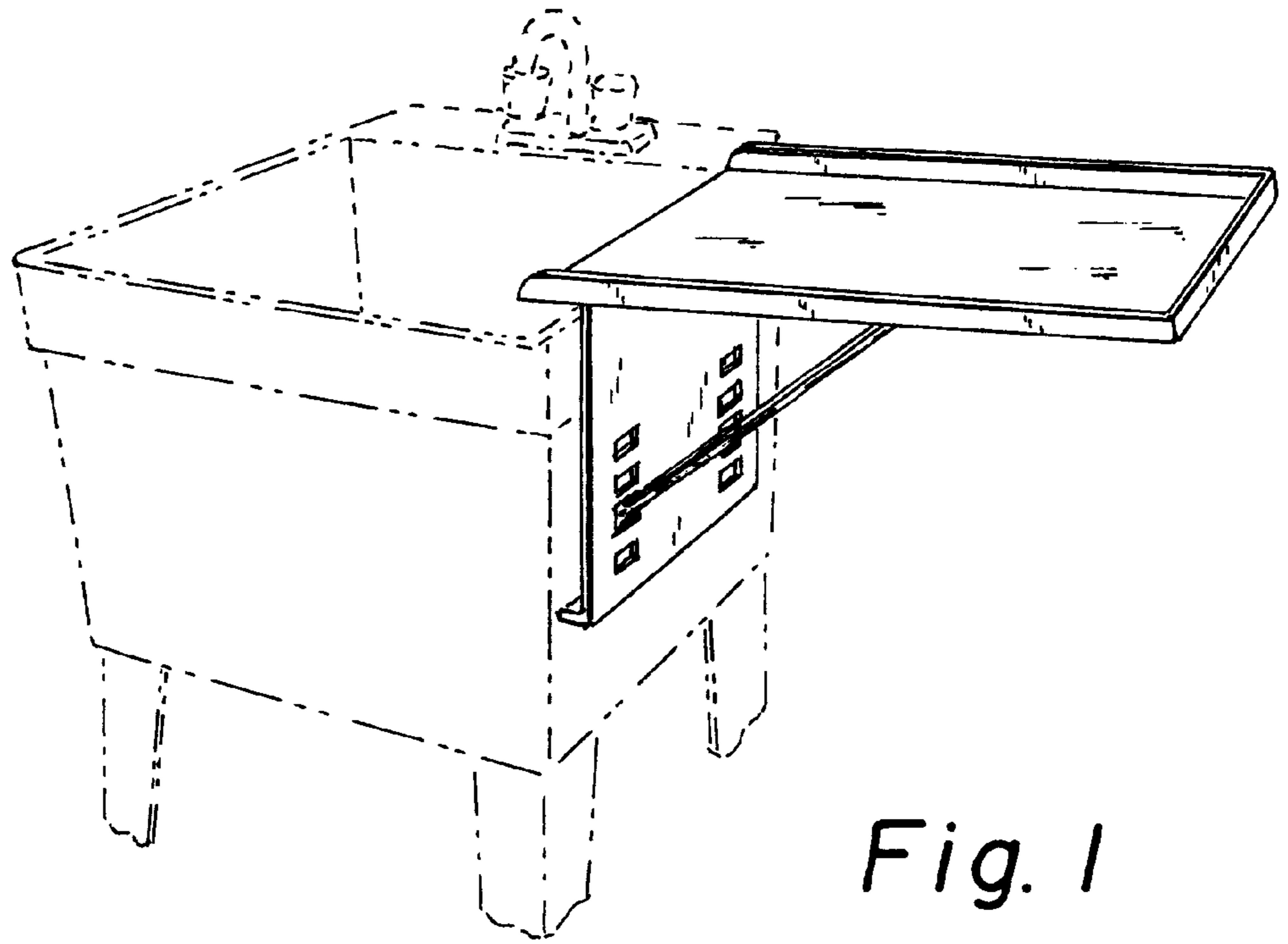
FIG. 4 is a right side elevational view of the retractable drainboard for a sink of FIGS. 1-3.

FIG. 5 is a left side elevational view of the retractable drainboard for a sink of FIGS. 1-4; and,

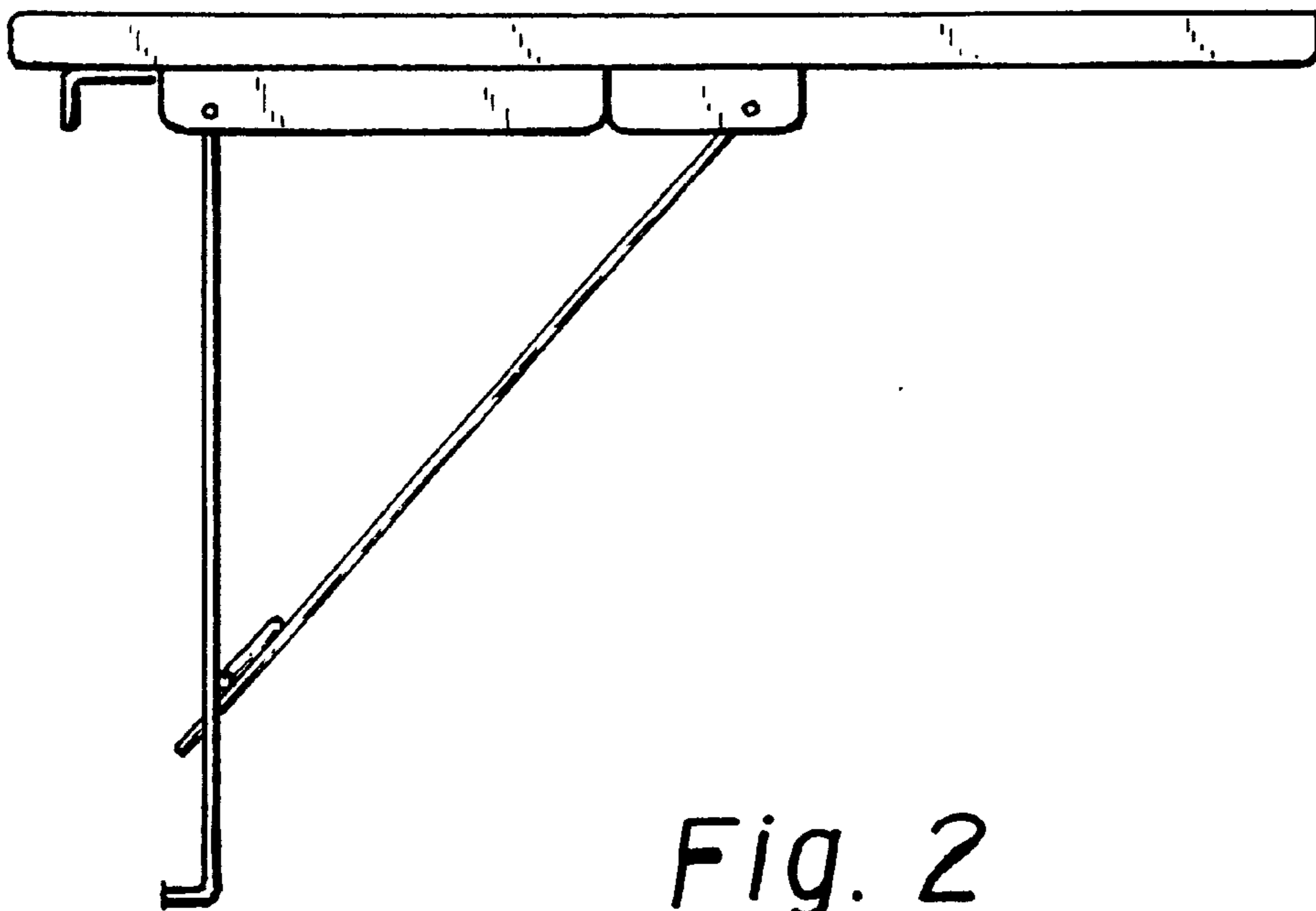
FIG. 6 is a bottom view of the retractable drainboard for a sink of FIGS. 1-5.

**1 Claim, 3 Drawing Sheets**

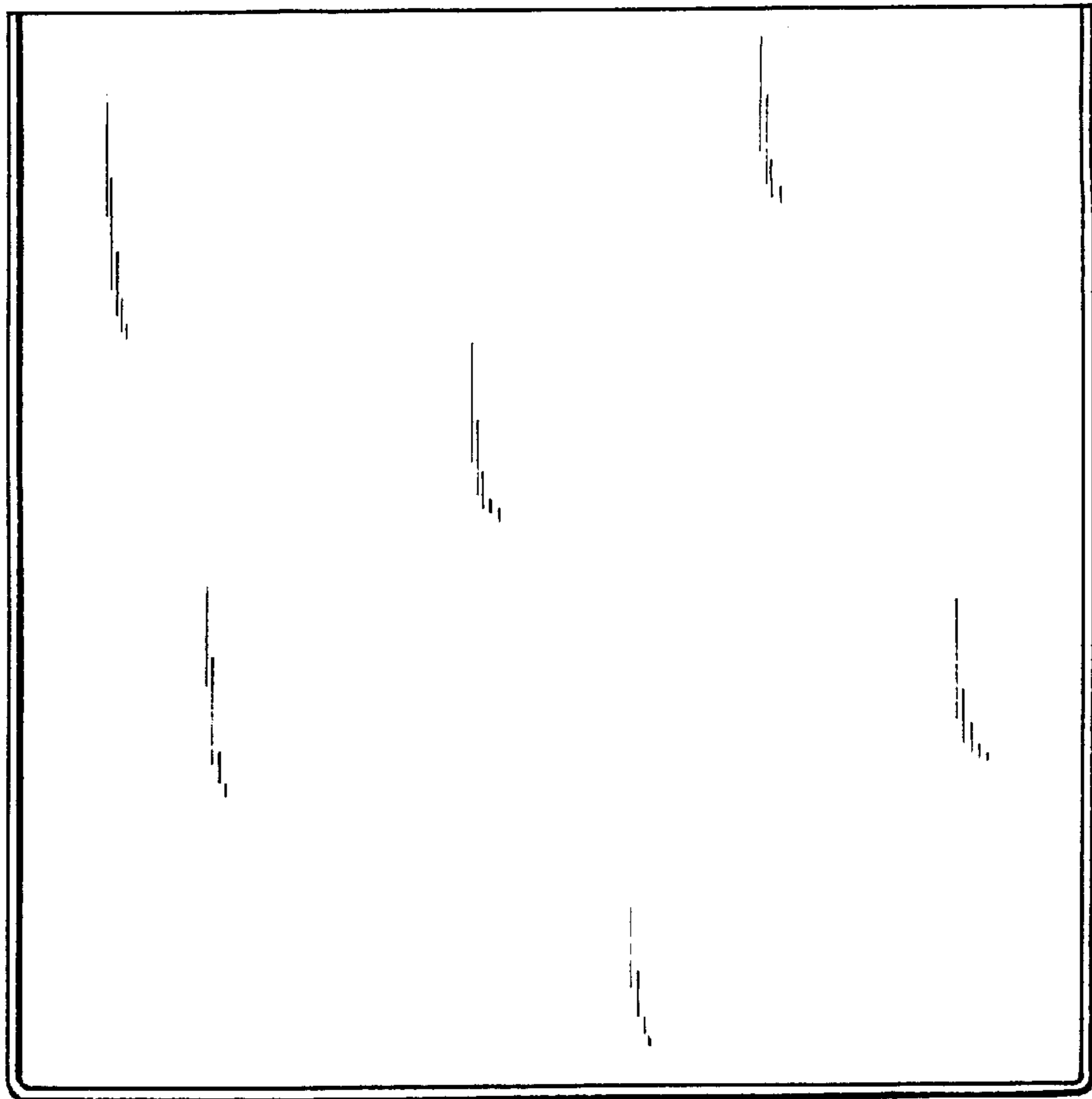




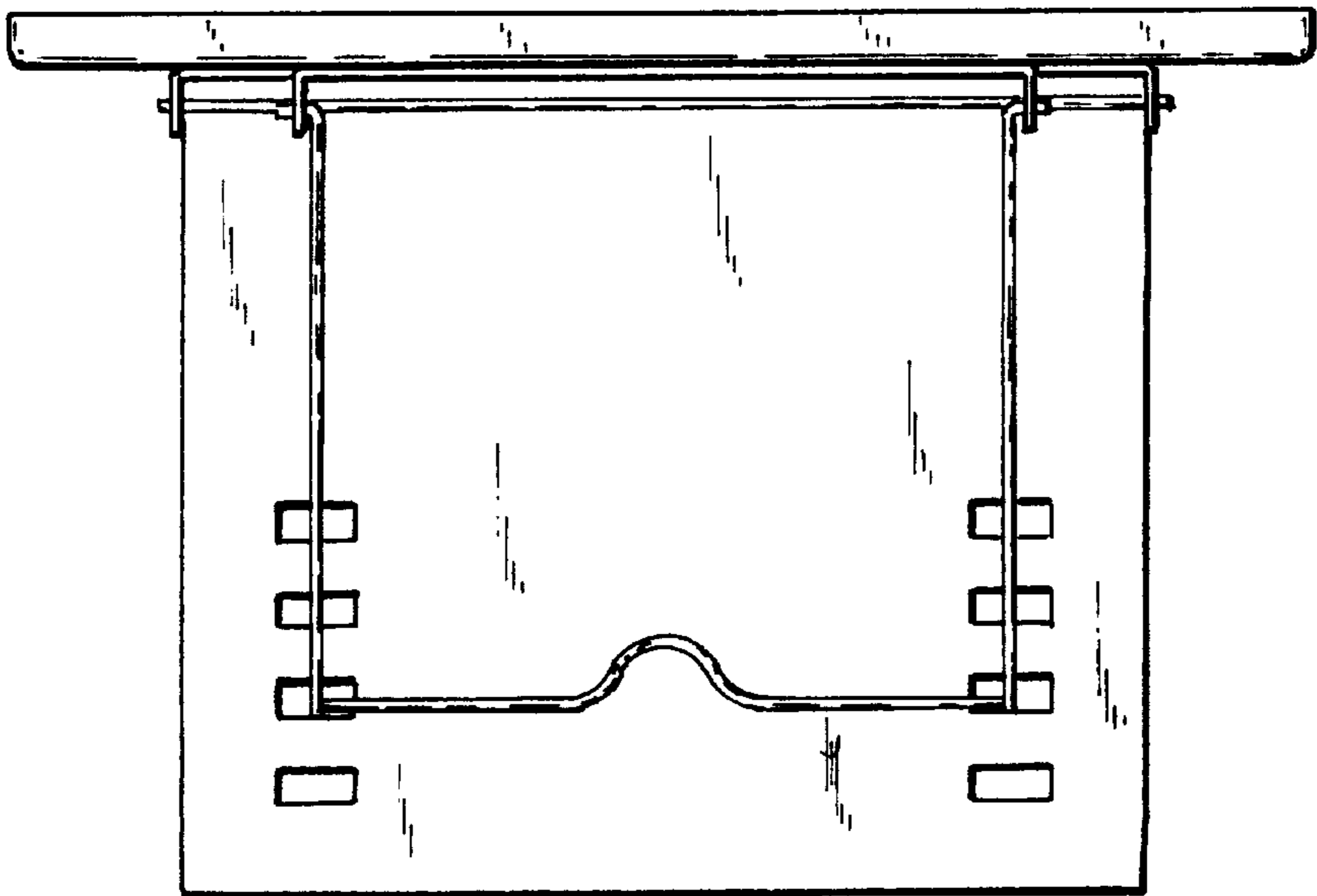
*Fig. 1*



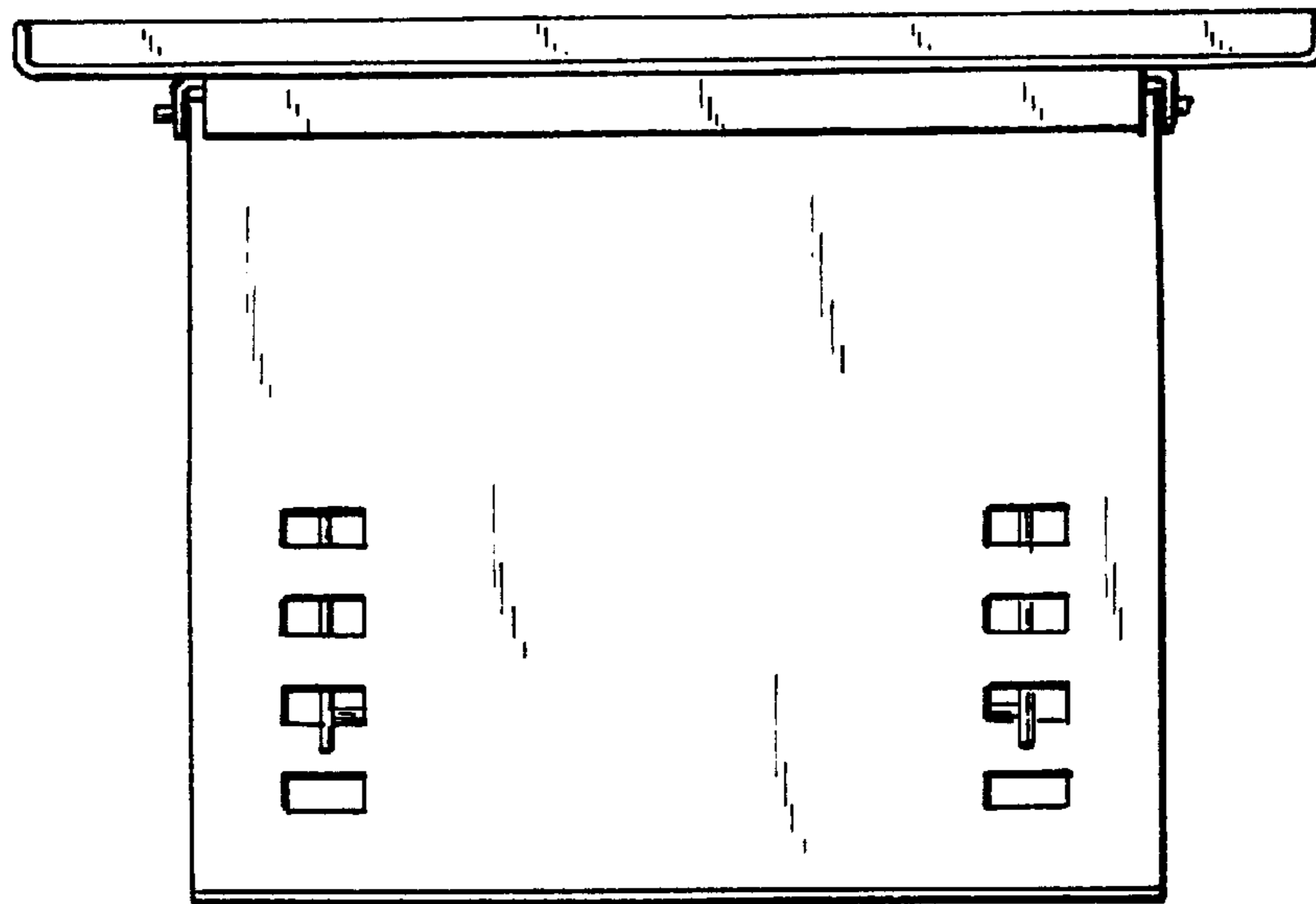
*Fig. 2*



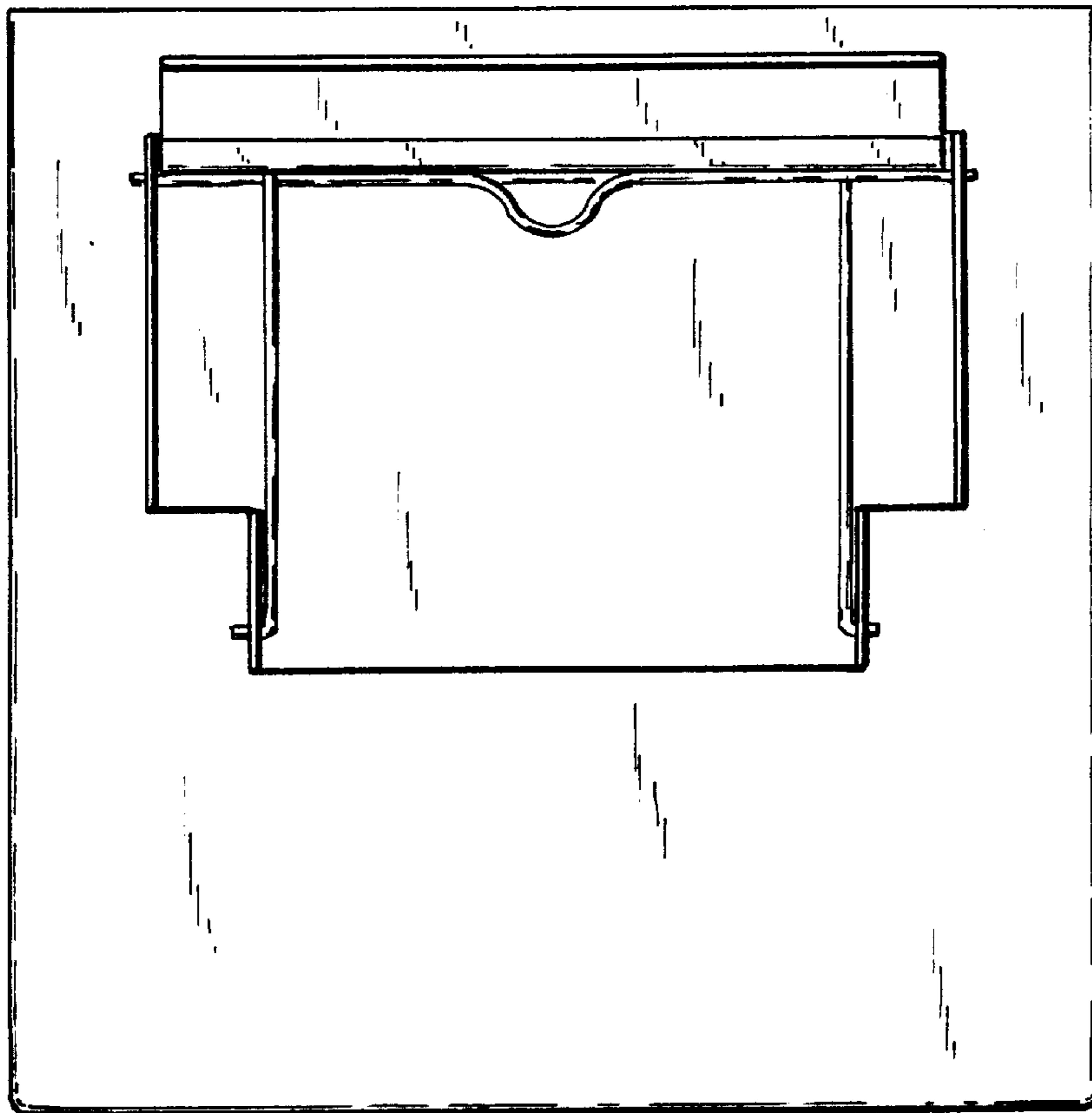
*Fig. 3*



*Fig. 4*



*Fig. 5*



*Fig. 6*