



US00D421487S

United States Patent [19] Lord

[11] **Patent Number: Des. 421,487**
[45] **Date of Patent: ** *Mar. 7, 2000**

[54] **FAUCET SPOUT BASE**

[75] Inventor: **Judd A. Lord**, Carmel, Ind.

[73] Assignee: **Masco Corporation of Indiana**, Indianapolis, Ind.

[*] Notice: This patent is subject to a terminal disclaimer.

[**] Term: **14 Years**

[21] Appl. No.: **29/092,672**

[22] Filed: **Aug. 25, 1998**

[51] **LOC (6) Cl. 23-01**

[52] **U.S. Cl. D23/255**

[58] **Field of Search D23/238-243, D23/250-257; 4/675-678; 137/801**

[56] **References Cited**

U.S. PATENT DOCUMENTS

- D. 213,874 4/1969 Landell .
- D. 219,779 1/1971 Tiller .
- D. 290,492 6/1987 Hill et al. .
- D. 290,992 7/1987 Hill et al. .
- D. 291,117 7/1987 Ryan .
- D. 293,601 1/1988 Hill et al. .
- D. 323,877 2/1992 Haug et al. .
- D. 331,796 12/1992 Spangler .
- D. 352,766 11/1994 Hill et al. .
- D. 360,931 8/1995 Mark et al. .
- D. 364,211 11/1995 Hill et al. .
- D. 367,697 3/1996 Haug et al. .
- D. 368,764 4/1996 Hill et al. .
- D. 388,156 12/1997 Hill et al. .

OTHER PUBLICATIONS

Delta Full Line Catalog, pp 4, 5, 1994.
Delta Catalog, "The Way Water is Brought to Life", 2 pages, 1991.

Primary Examiner—Eric Watterson
Attorney, Agent, or Firm—Myron B. Kapustij; Lloyd D. Doigan

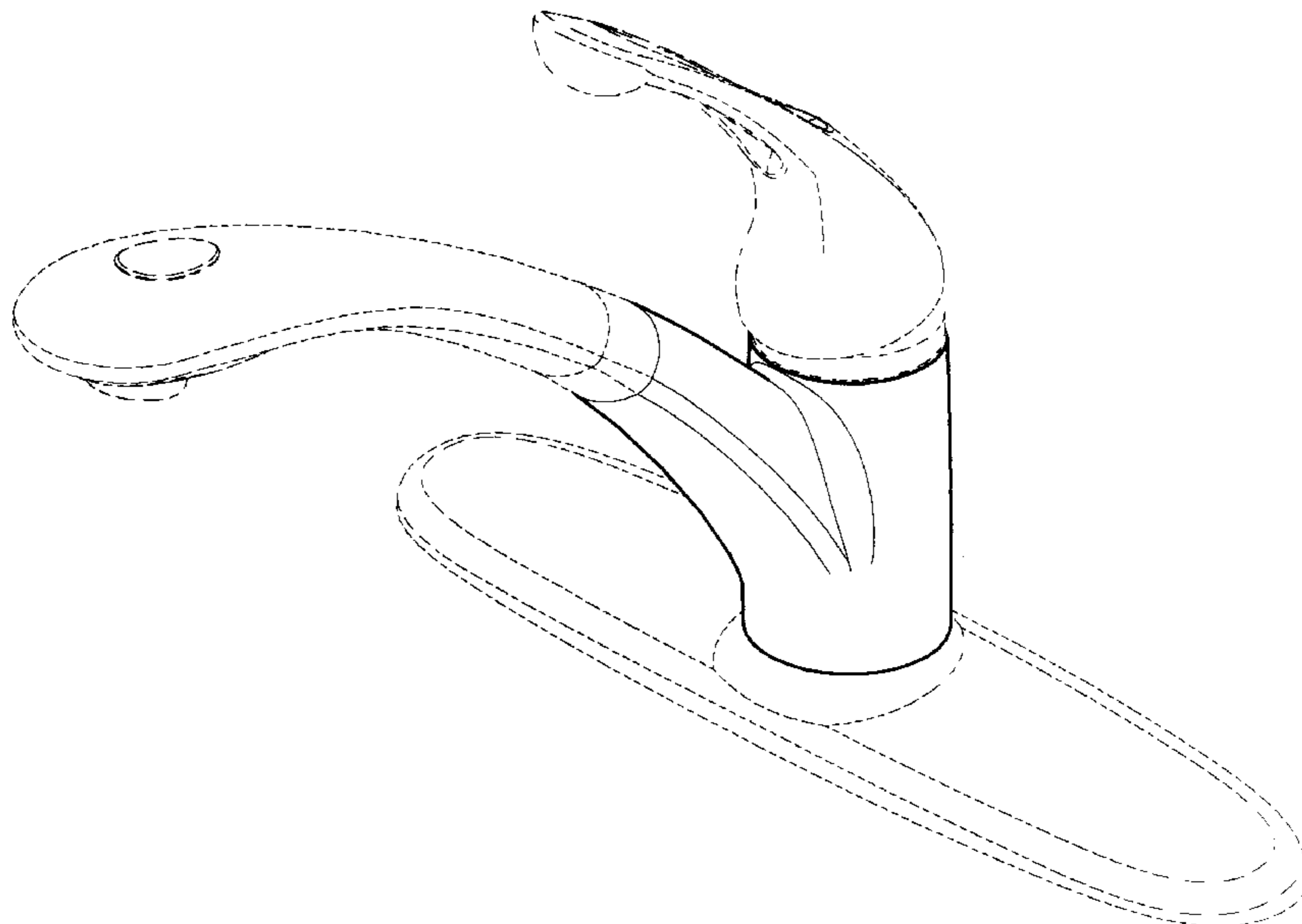
[57] **CLAIM**

The ornamental design for a faucet spout base, as shown and described.

DESCRIPTION

FIG. 1 is a top, front perspective view of a faucet spout base showing my new design;
 FIG. 2 is a top, rear perspective view thereof;
 FIG. 3 is a front perspective view thereof;
 FIG. 4 is a rear perspective view thereof;
 FIG. 5 is a bottom plan view thereof;
 FIG. 6 is a right side elevational view, the left side being a mirror image thereof;
 FIG. 7 is a rear elevational view thereof;
 FIG. 8 is a front elevational view thereof;
 FIG. 9 is a top plan view thereof;
 FIG. 10 is a front, perspective view of a second embodiment thereof, differing from the embodiment shown in FIG. 1 by having a longer spout base;
 FIG. 11 is a right side elevational view of the second embodiment of FIG. 10, the left side being a mirror image thereof;
 FIG. 12 is a front, perspective view of a third embodiment thereof, differing from the embodiment shown in FIG. 1 by having a shorter spout base; and,
 FIG. 13 is a right side elevational view of the third embodiment of FIG. 12, the left side being a mirror image thereof.
 The broken line showings of the handle, pull-out spout and escutcheon in FIGS. 1 and 2 are for purposes of illustration only and forms no part of the claimed design.

1 Claim, 4 Drawing Sheets



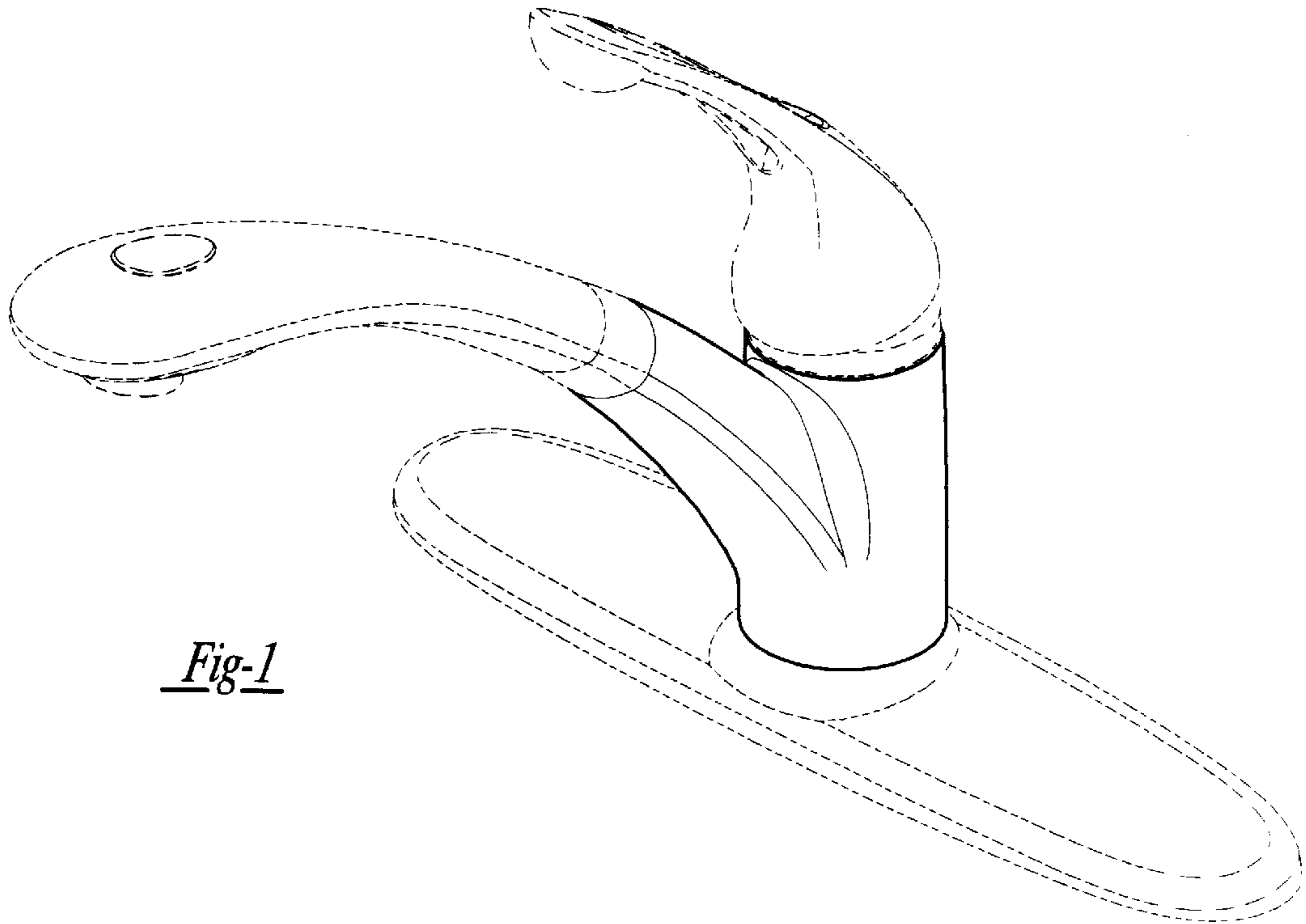


Fig-1

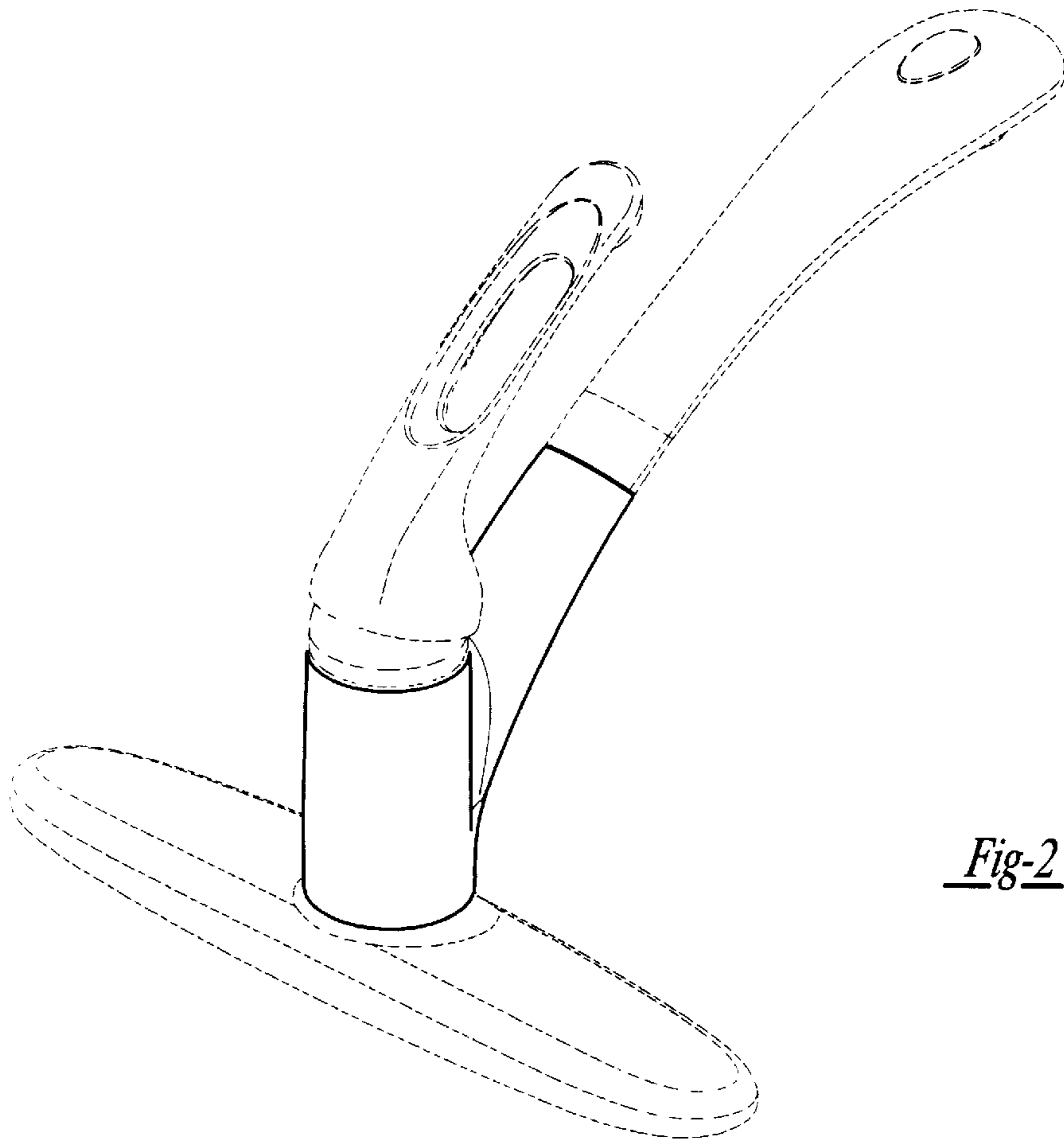


Fig-2

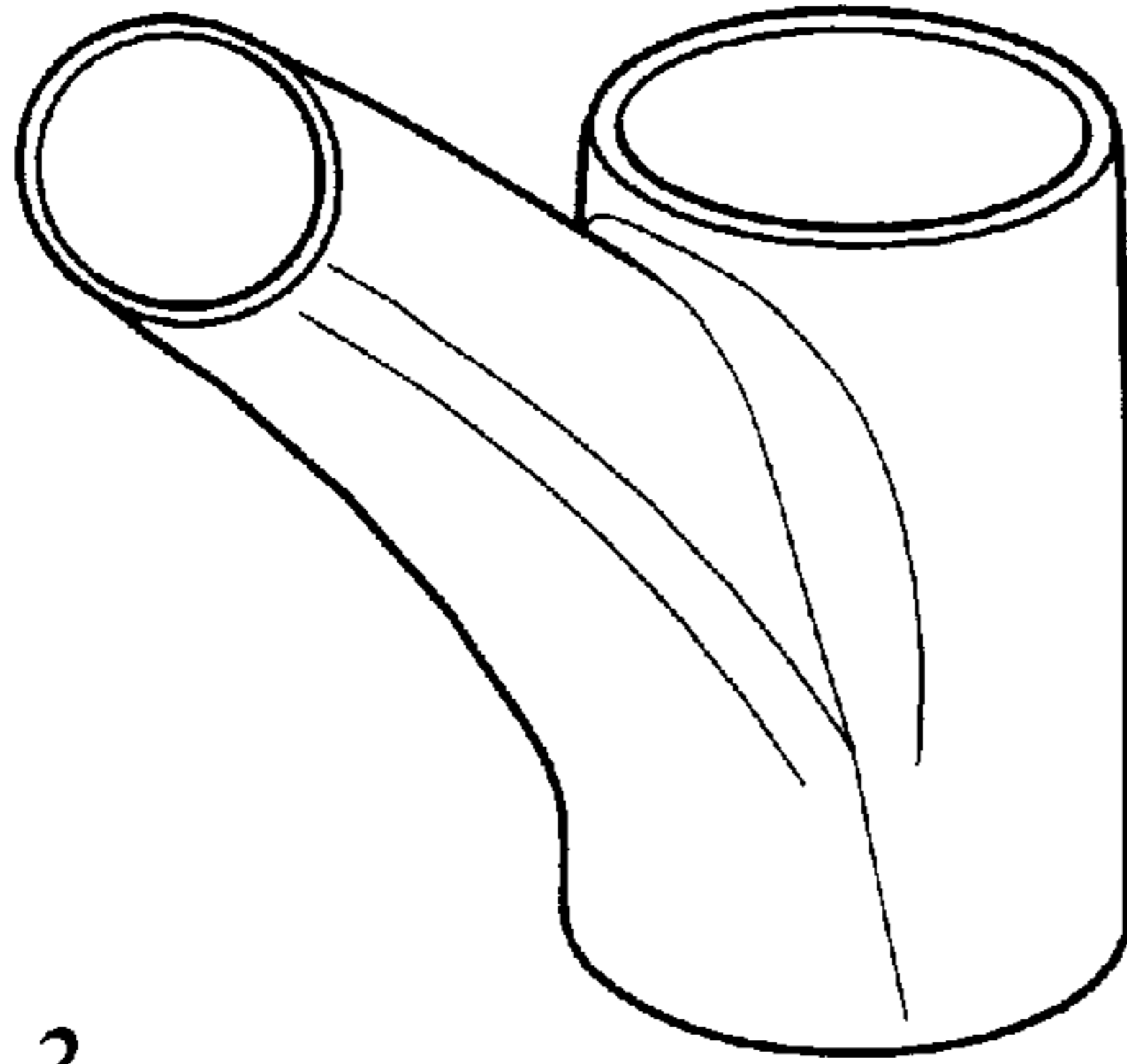


Fig-3

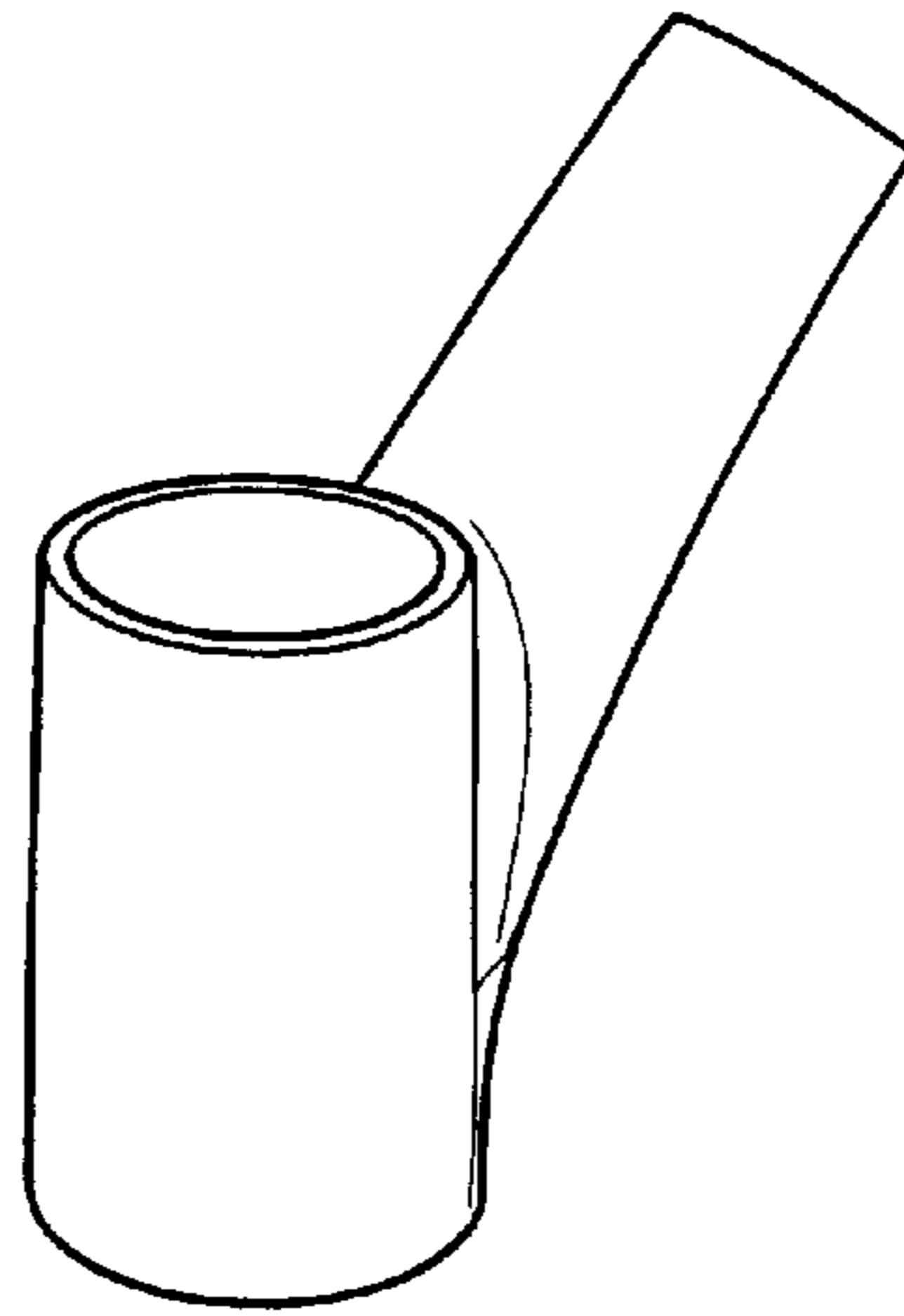


Fig-4

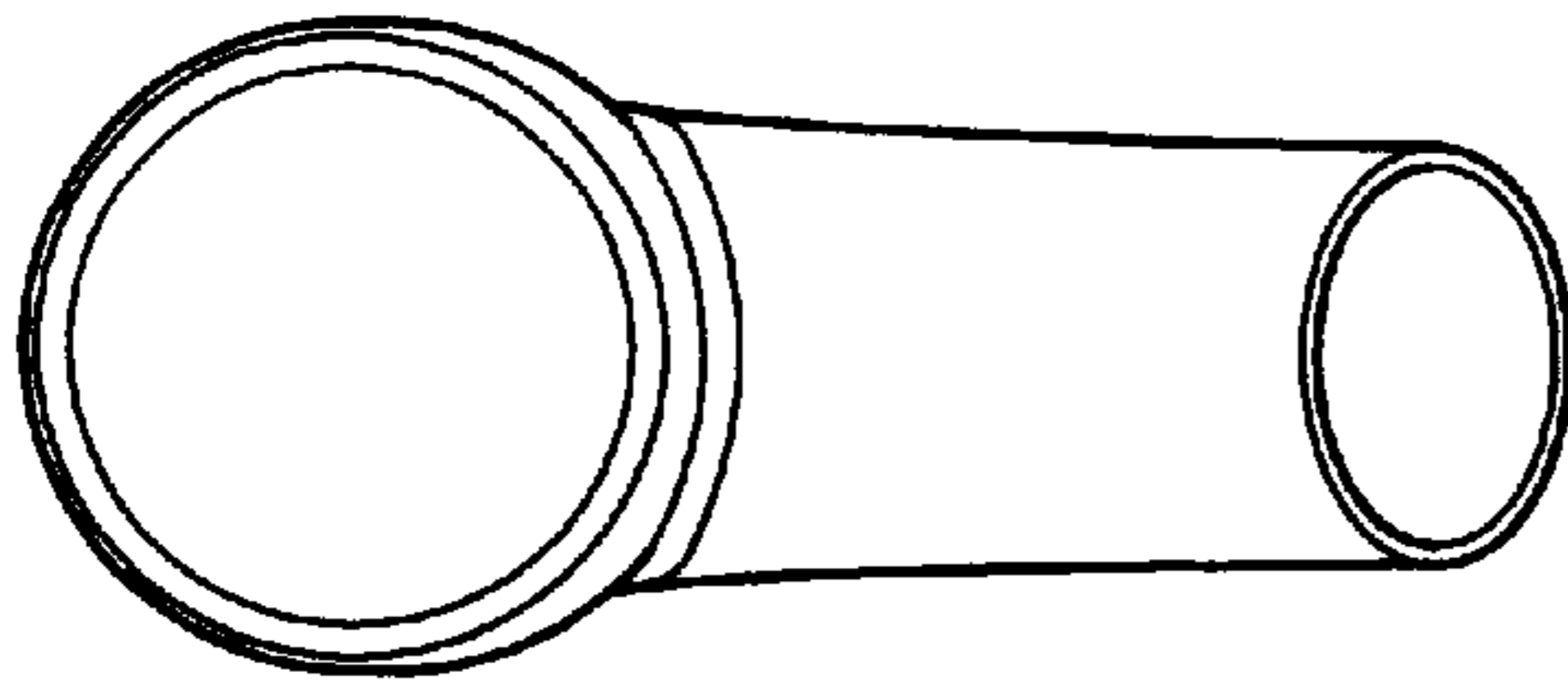


Fig-5

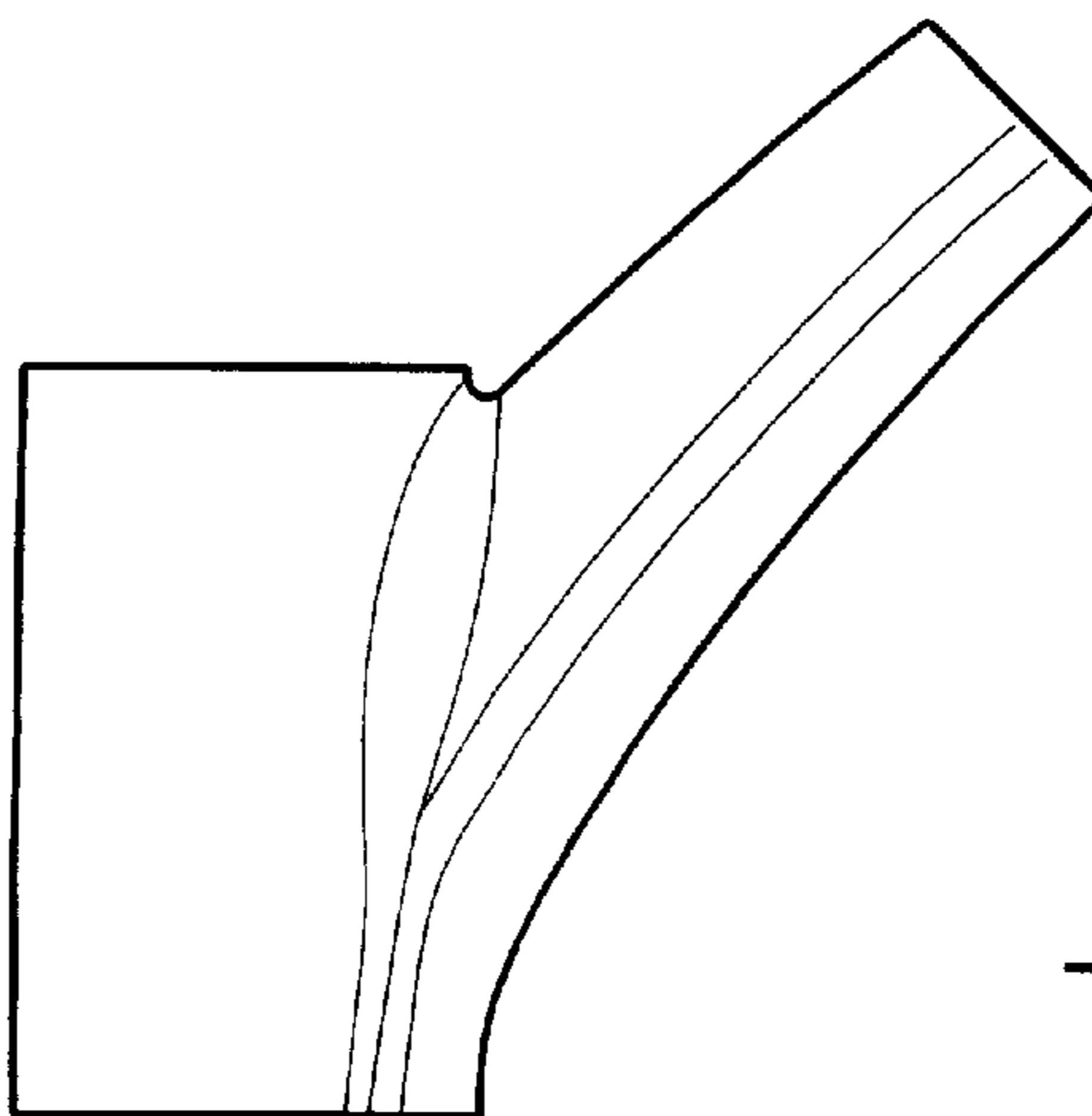


Fig-6

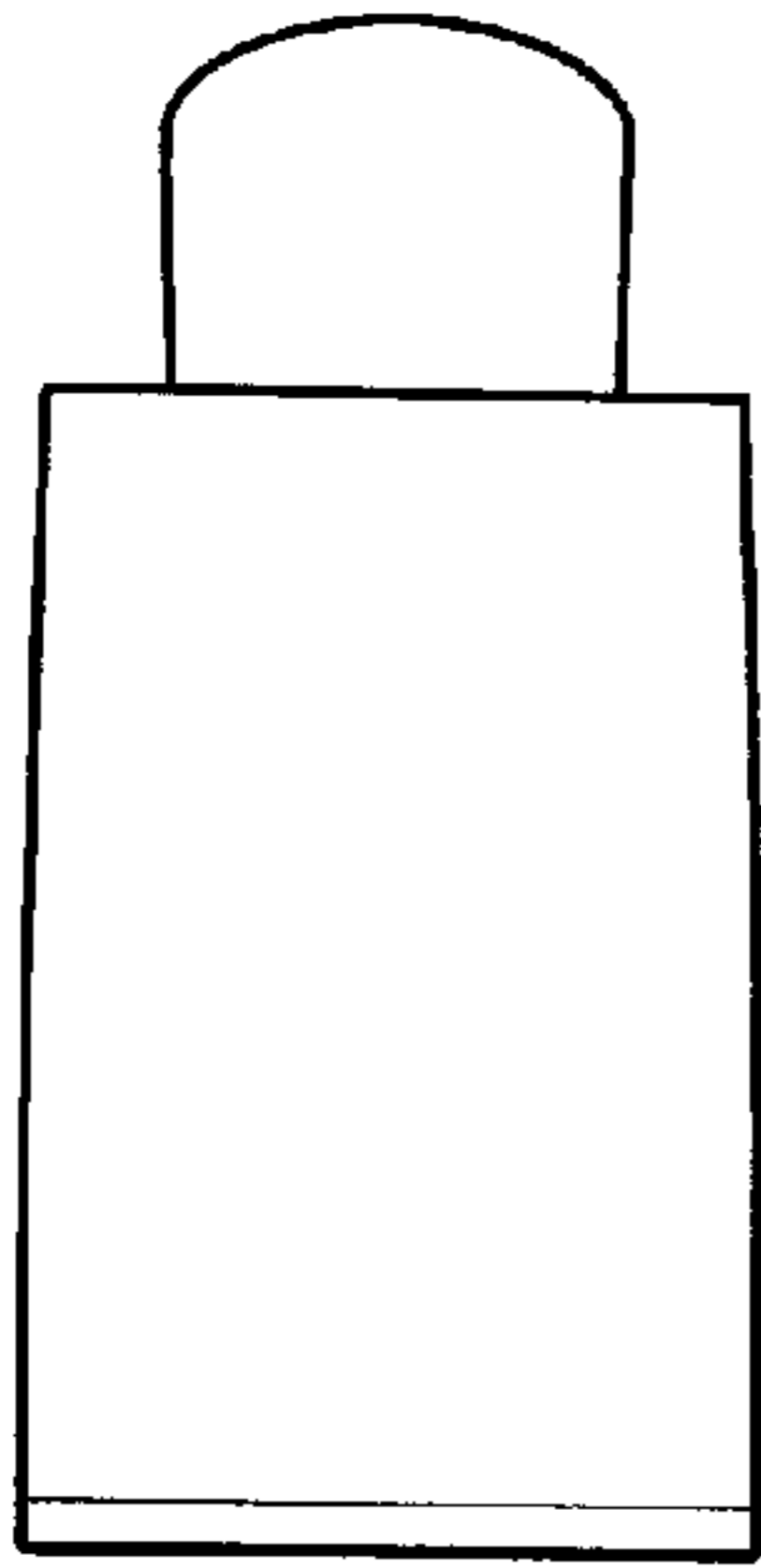


Fig-7

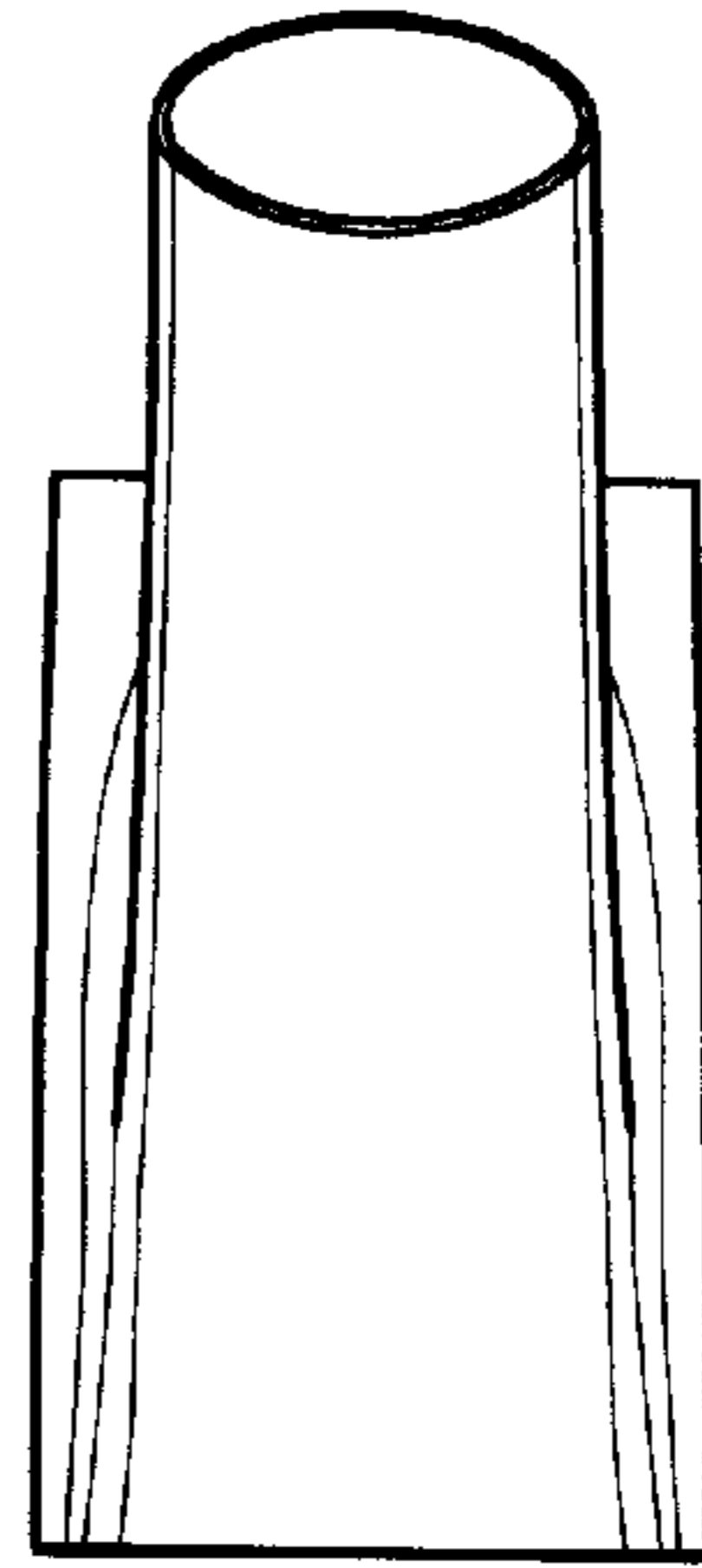


Fig-8

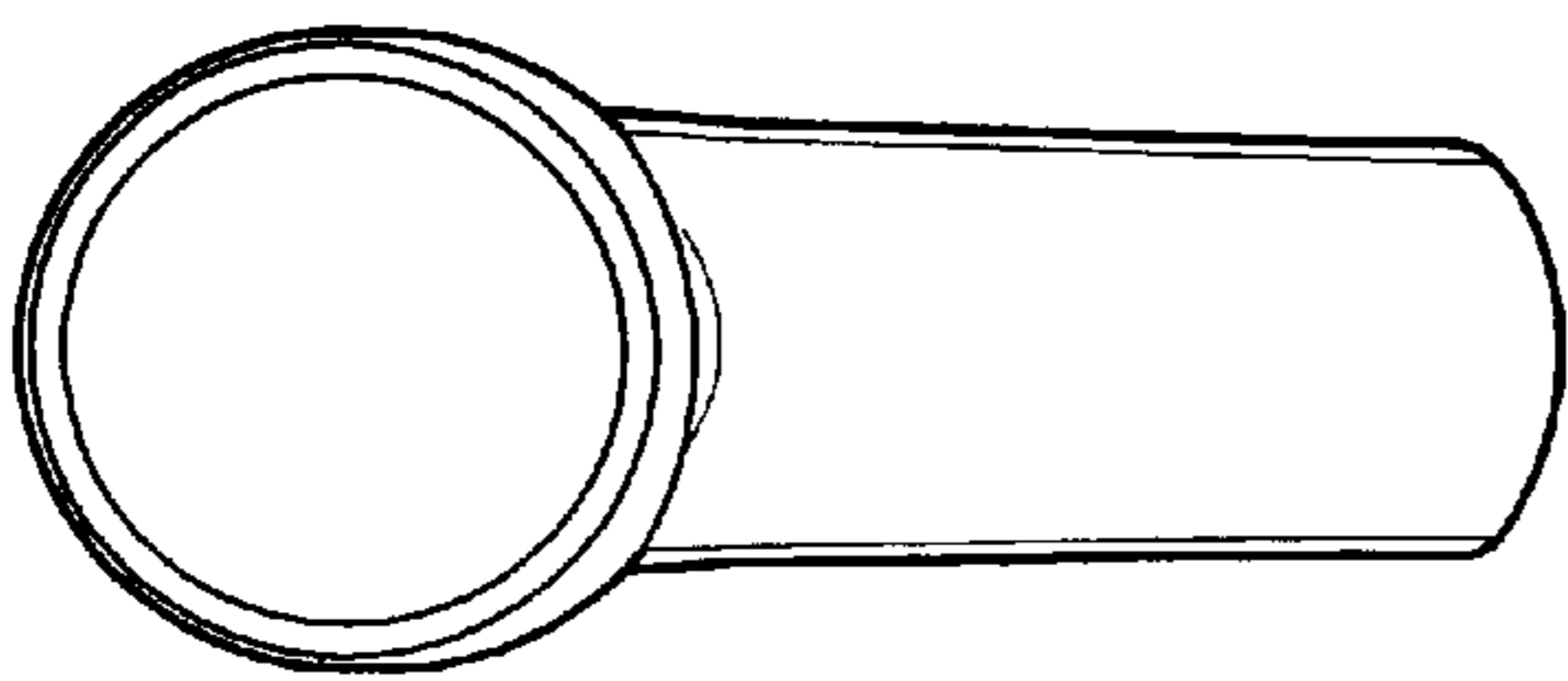


Fig-9

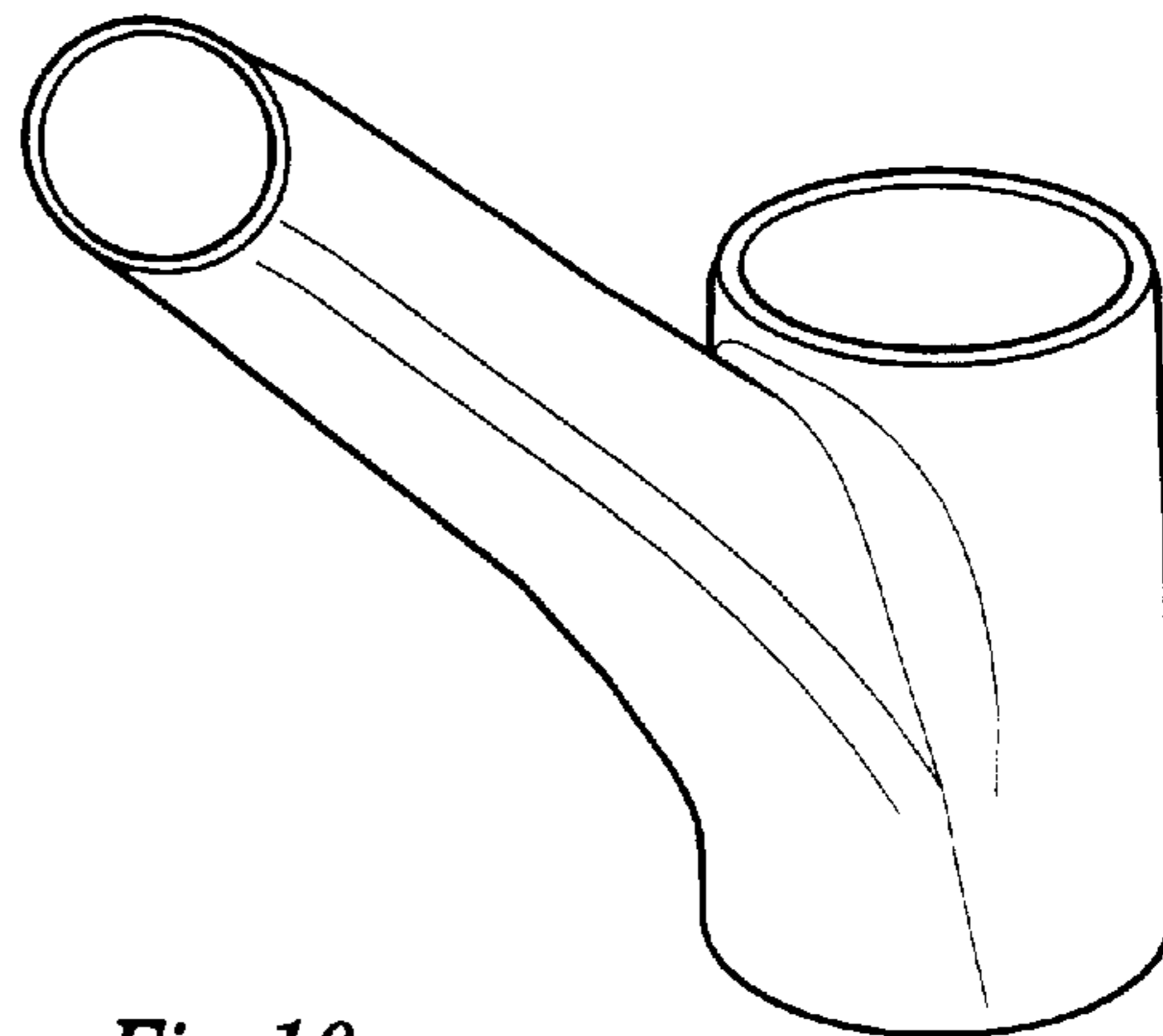


Fig-10

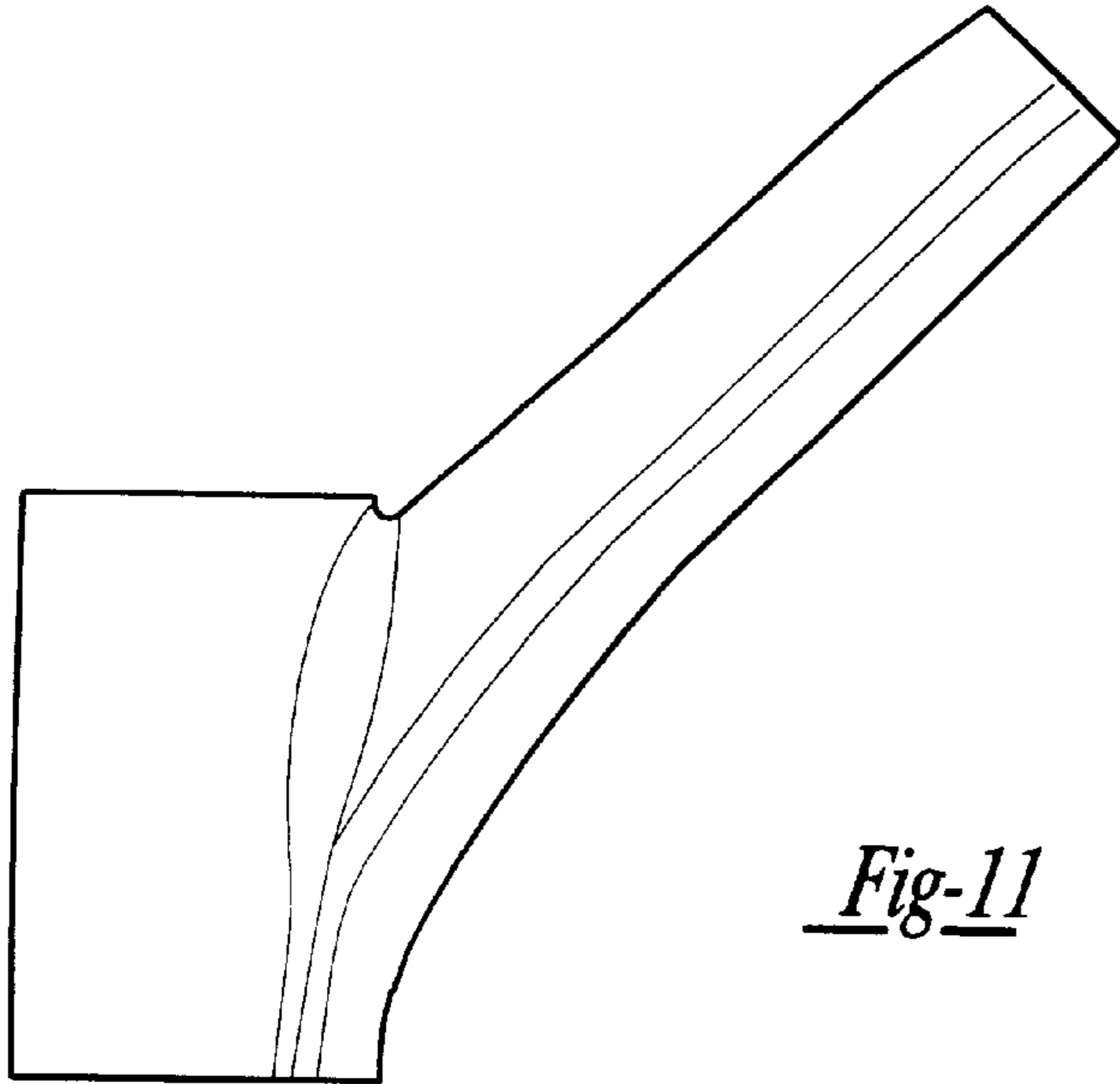


Fig-11

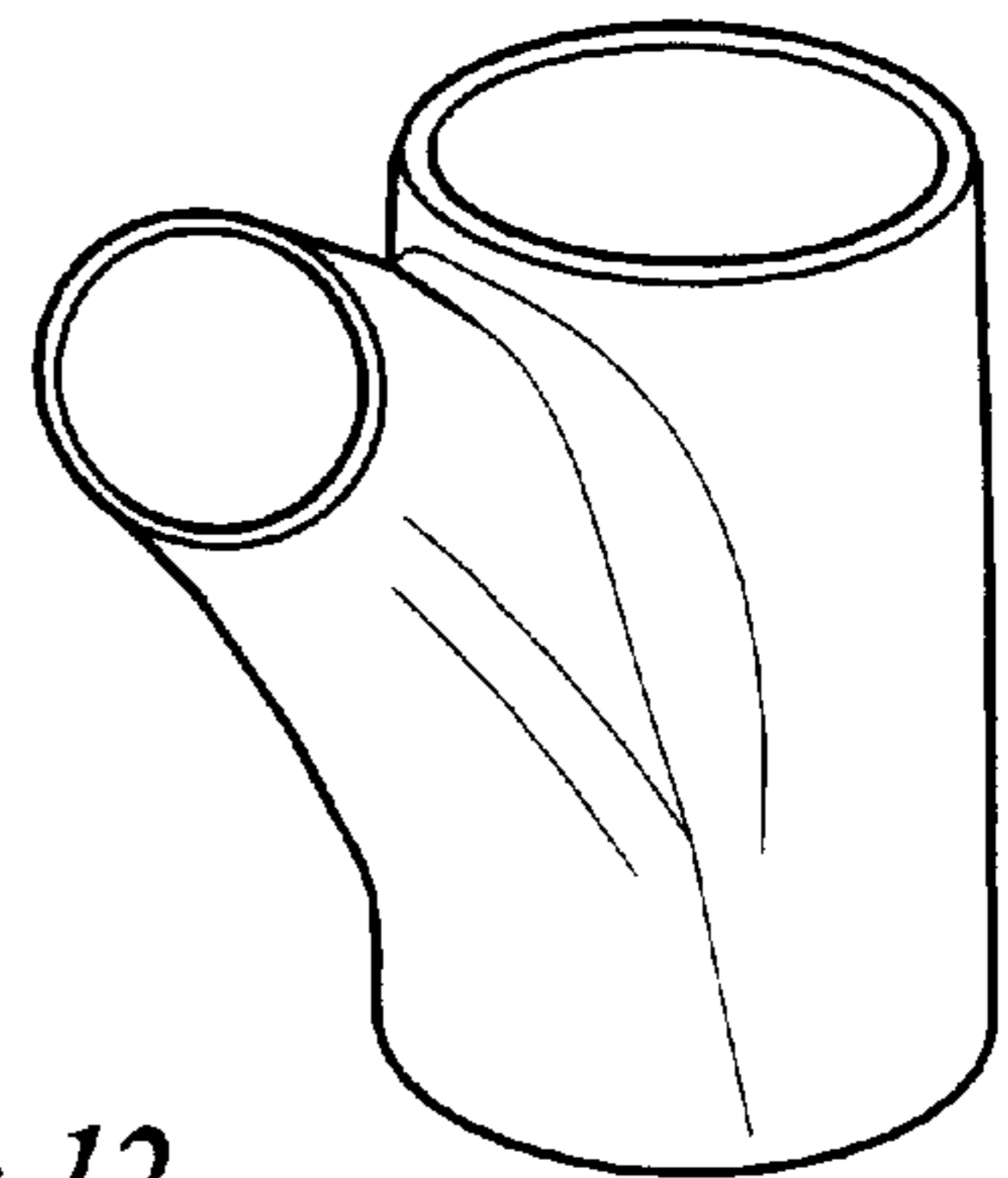


Fig-12

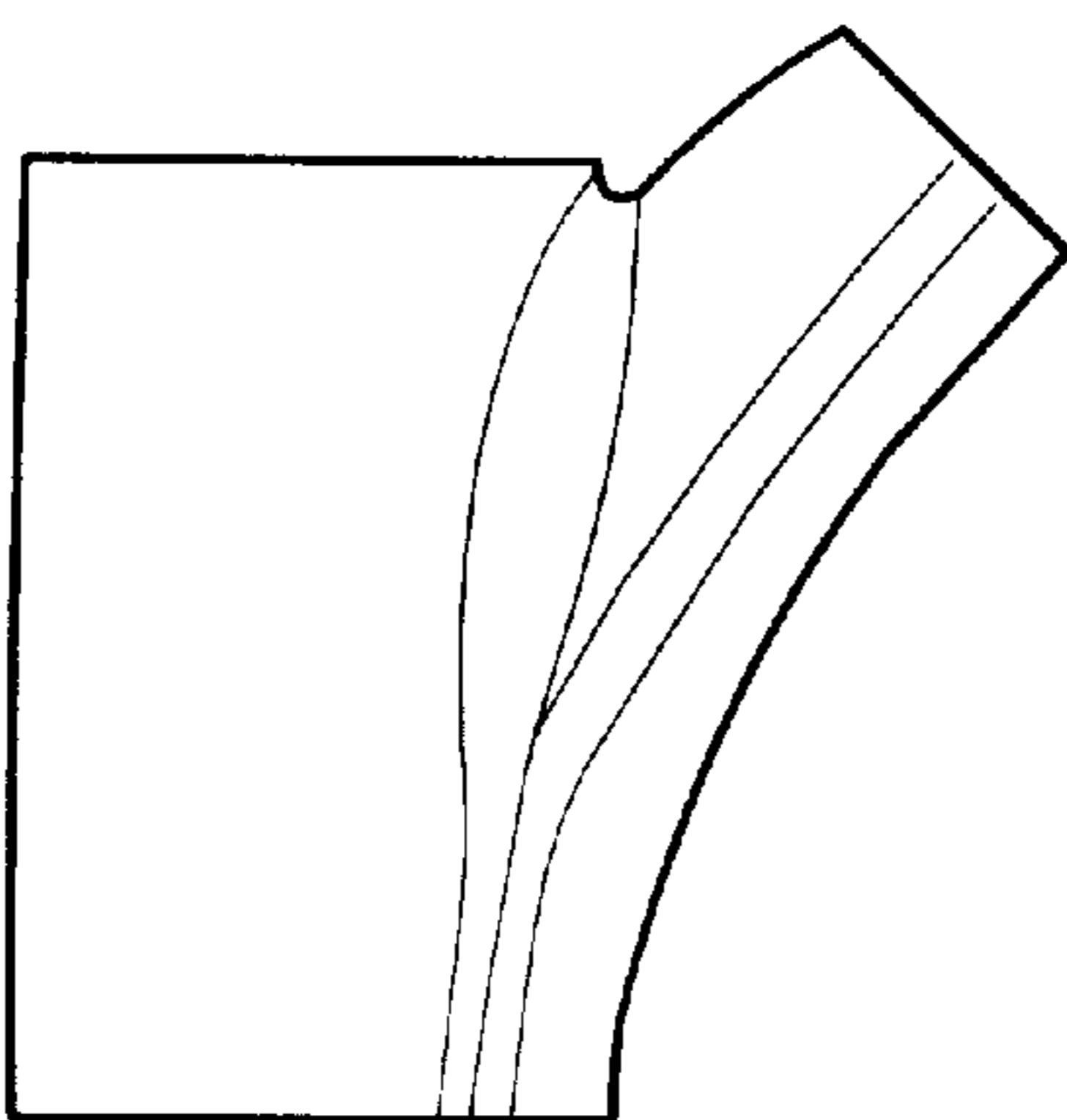


Fig-13