



US00D421485S

**United States Patent** [19]  
**Hsieh**

[11] **Patent Number: Des. 421,485**  
[45] **Date of Patent: \*\* Mar. 7, 2000**

[54] **FAUCET**

[75] **Inventor: Shui S. Hsieh, Chang Hua Hsien, Taiwan**

[73] **Assignee: Rin Shing Metal Co., Ltd., Chang Hua Hsien, Taiwan**

[\*\*] **Term: 14 Years**

[21] **Appl. No.: 29/106,290**

[22] **Filed: Jun. 14, 1999**

[51] **LOC (6) Cl. .... 23-01**

[52] **U.S. Cl. .... D23/238**

[58] **Field of Search .... D23/238-243, D23/250-257; 4/675-678; 16/110 R-121; D8/300-308**

[56] **References Cited**

**U.S. PATENT DOCUMENTS**

D. 370,525 6/1996 Doughty et al. .... D23/238

D. 371,827 7/1996 Jans ..... D23/255  
D. 373,177 8/1996 Jans ..... D23/238  
D. 378,310 3/1997 Moon ..... D23/238  
D. 381,066 7/1997 Hill et al. .... D23/238  
D. 381,395 7/1997 Fleischmann ..... D23/238

*Primary Examiner*—Eric Watterson  
*Attorney, Agent, or Firm*—Raymond Y. Chan; David and Raymond

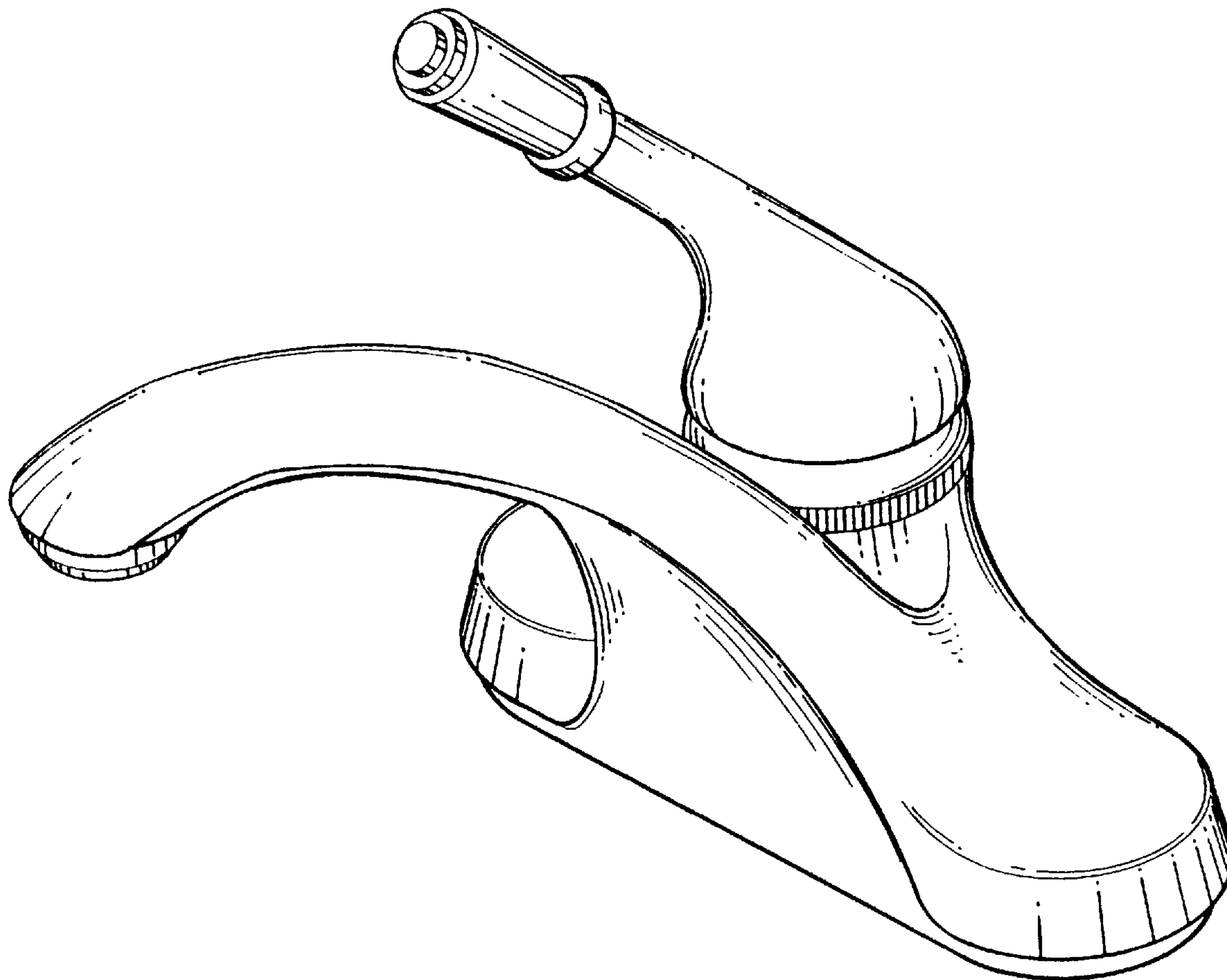
[57] **CLAIM**

The ornamental design for a faucet, as shown.

**DESCRIPTION**

FIG. 1 is a front elevation view of a faucet showing my new design;  
FIG. 2 is a rear elevational view;  
FIG. 3 is a top plan view;  
FIG. 4 is a bottom plan view;  
FIG. 5 is a left side elevational view;  
FIG. 6 is a right side elevational view; and,  
FIG. 7 is a top, front and left side perspective view thereof.

**1 Claim, 4 Drawing Sheets**



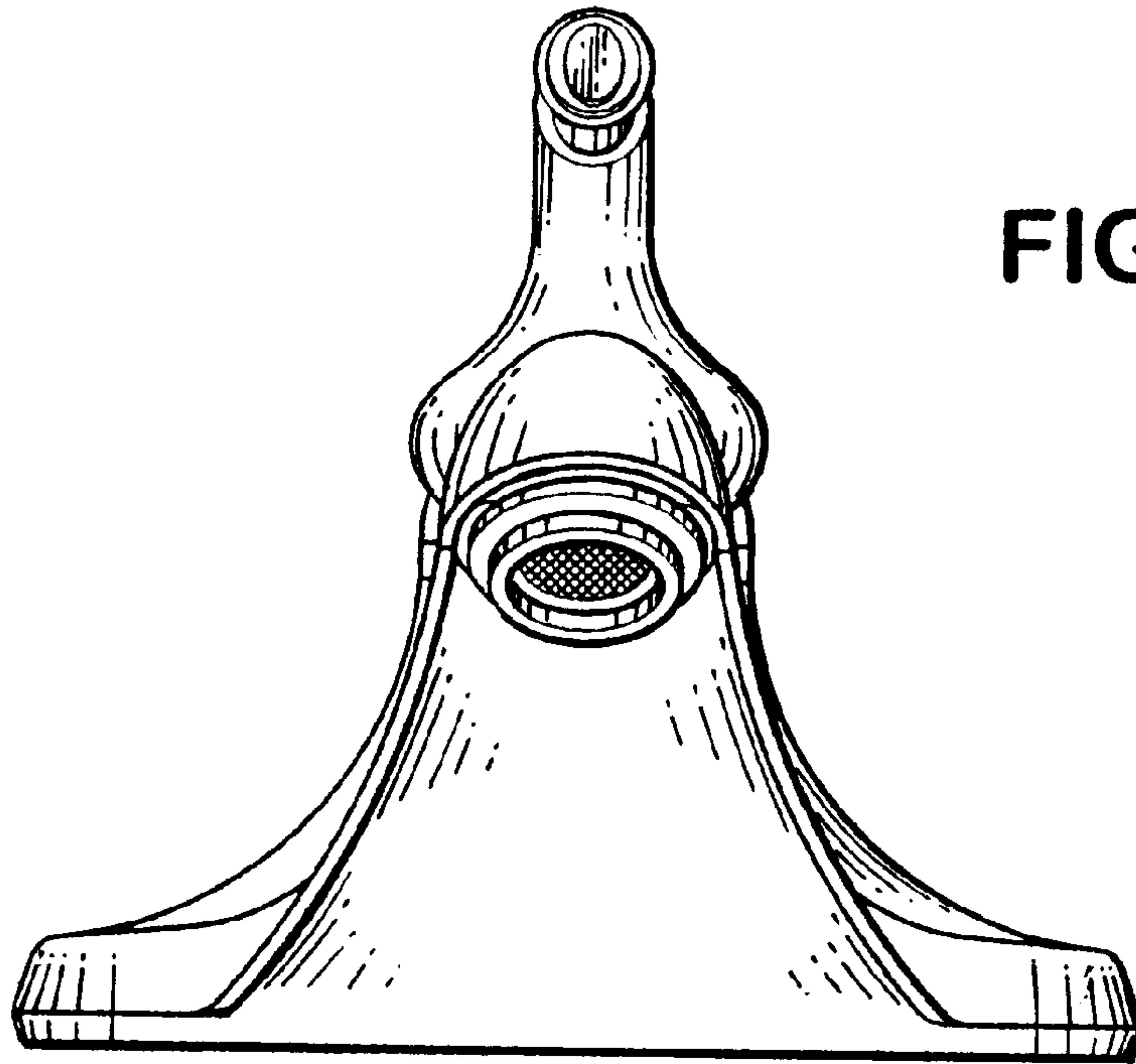


FIG. 1

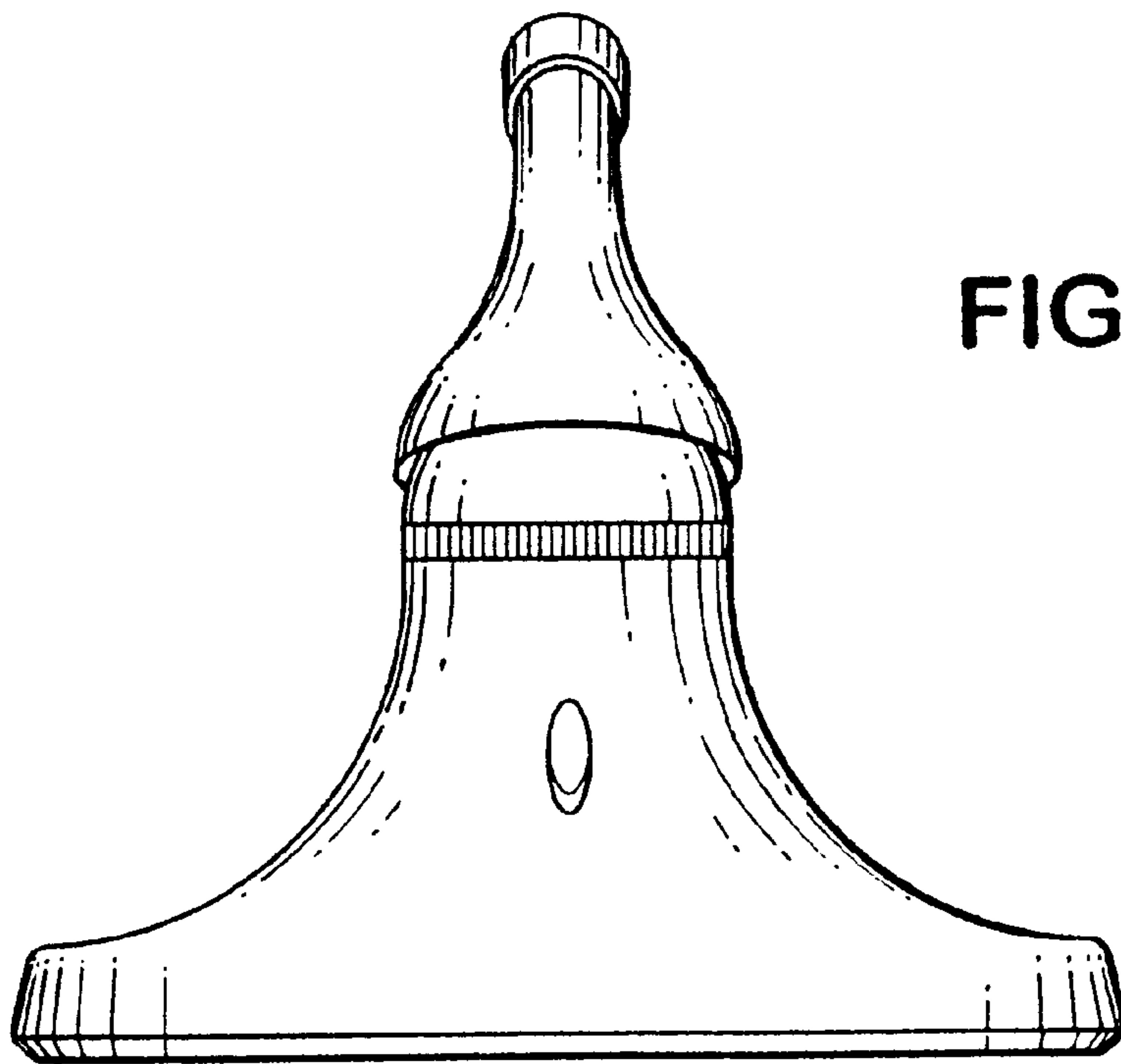


FIG. 2

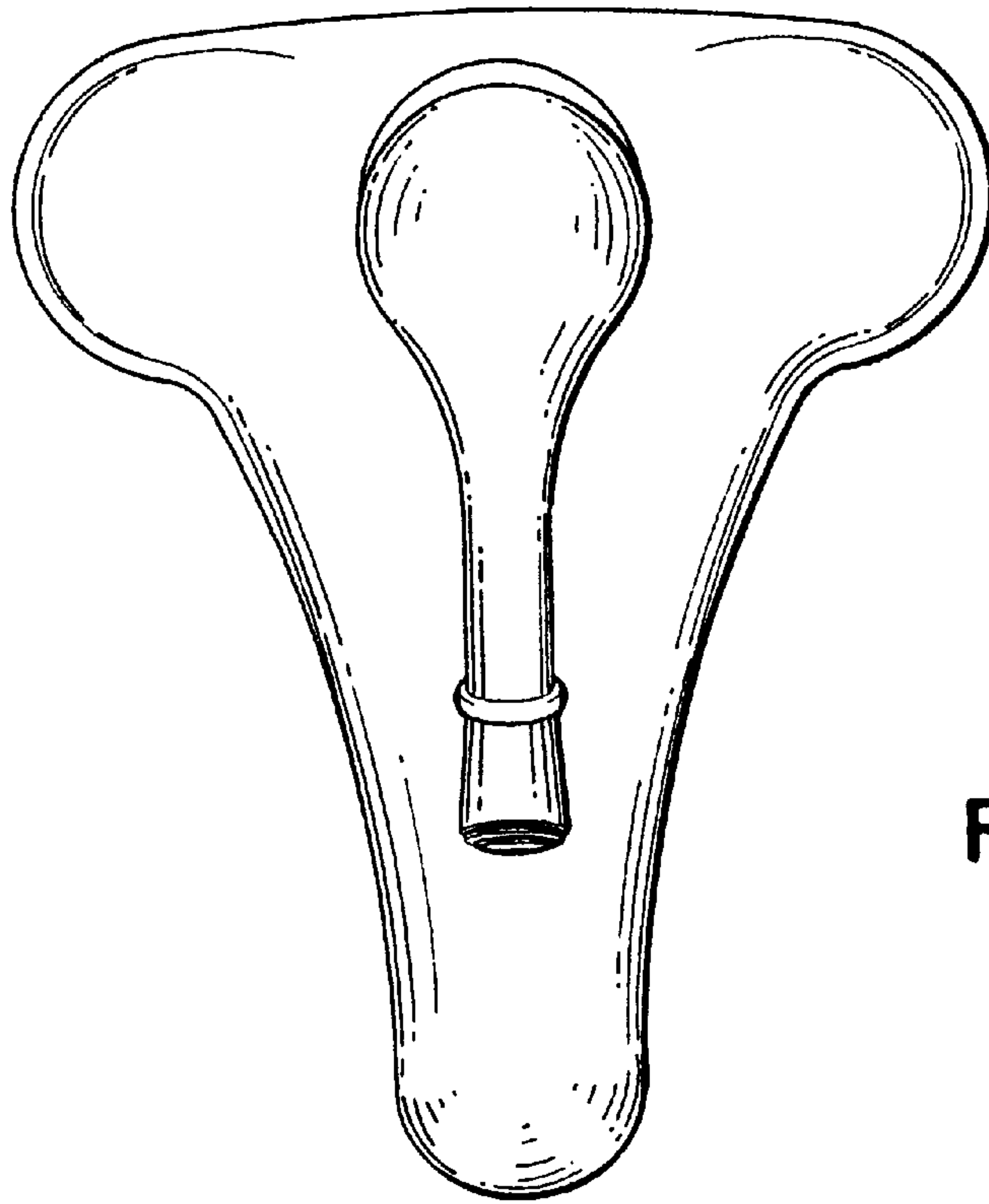


FIG. 3

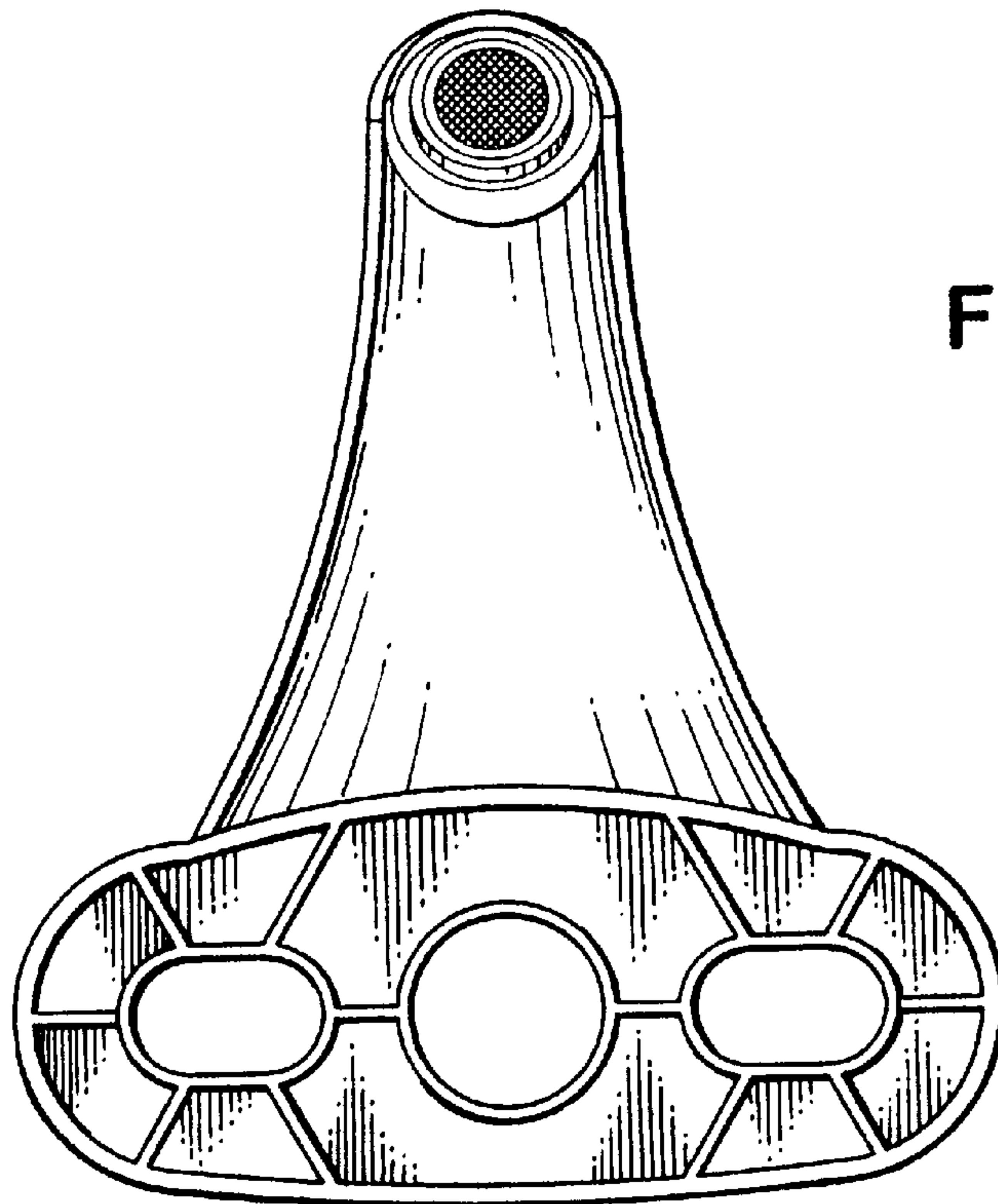


FIG. 4

FIG. 5

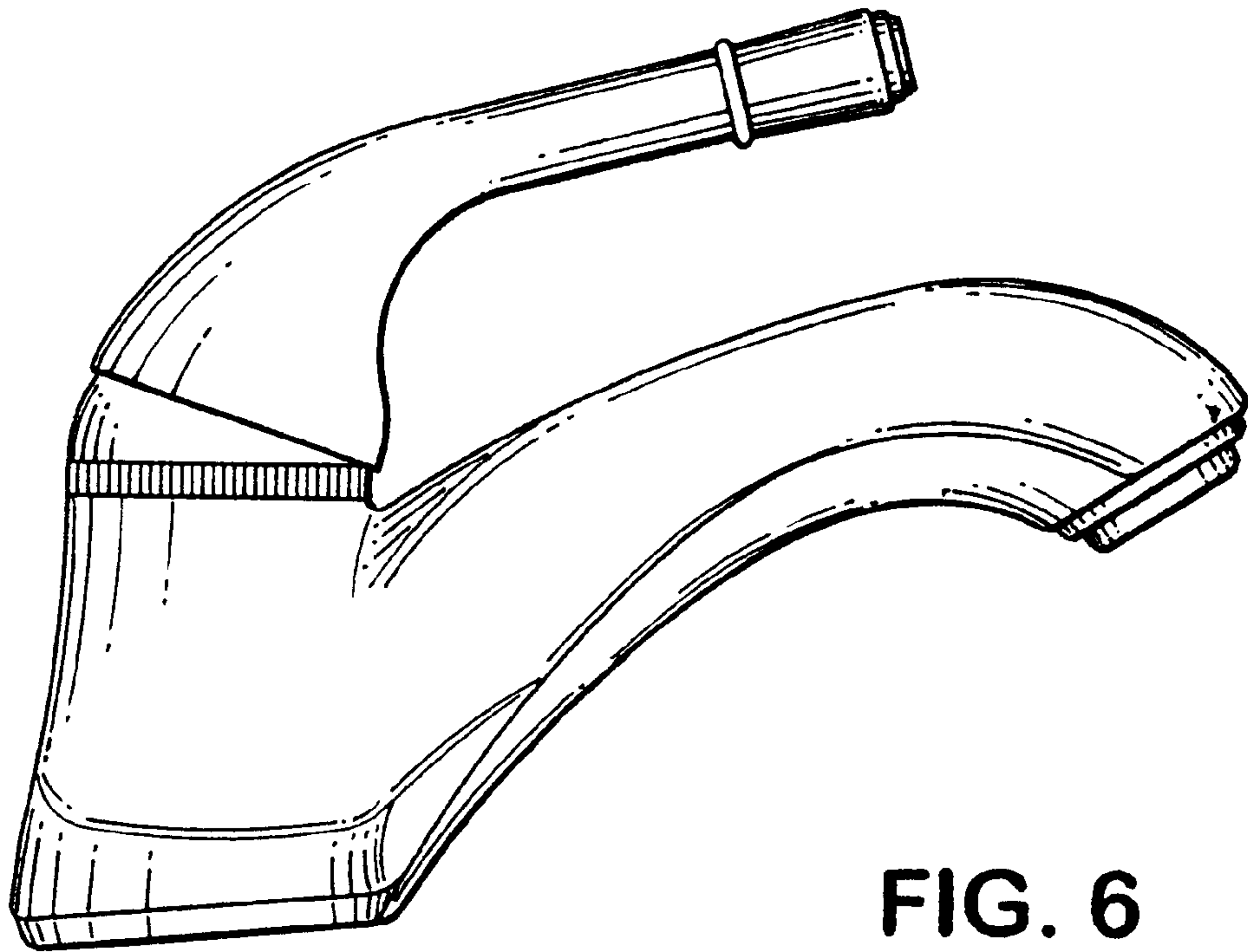
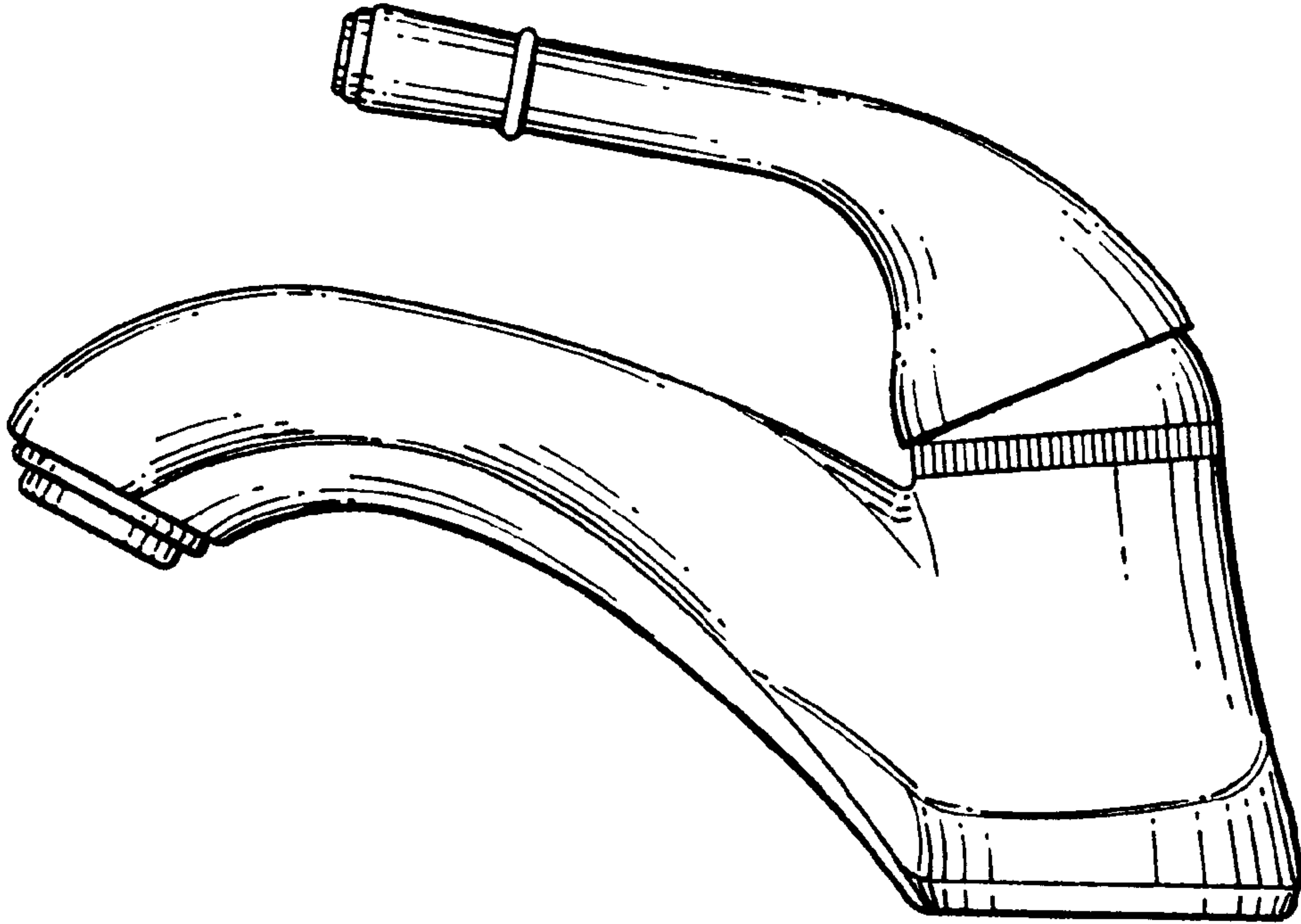


FIG. 6

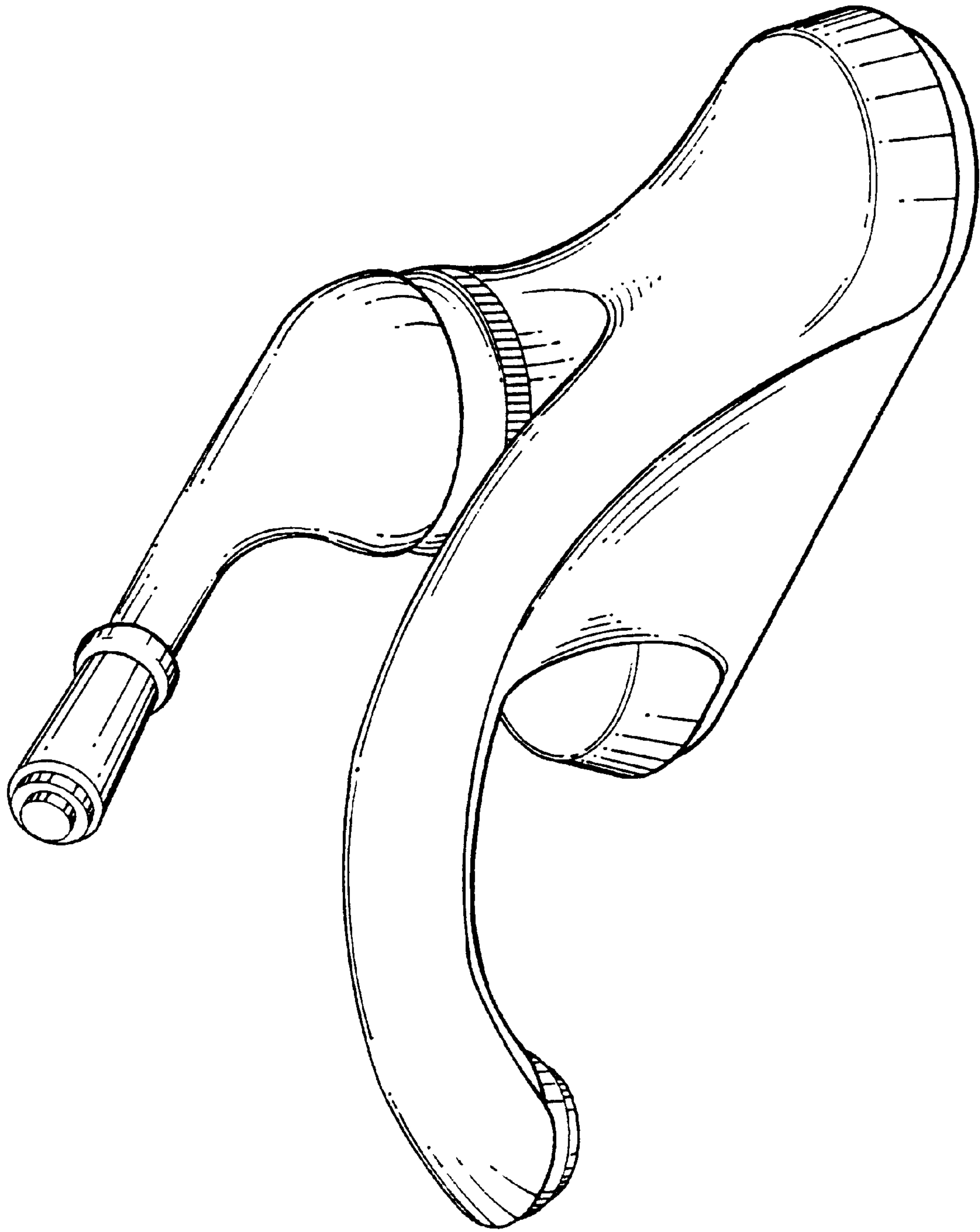


FIG. 7